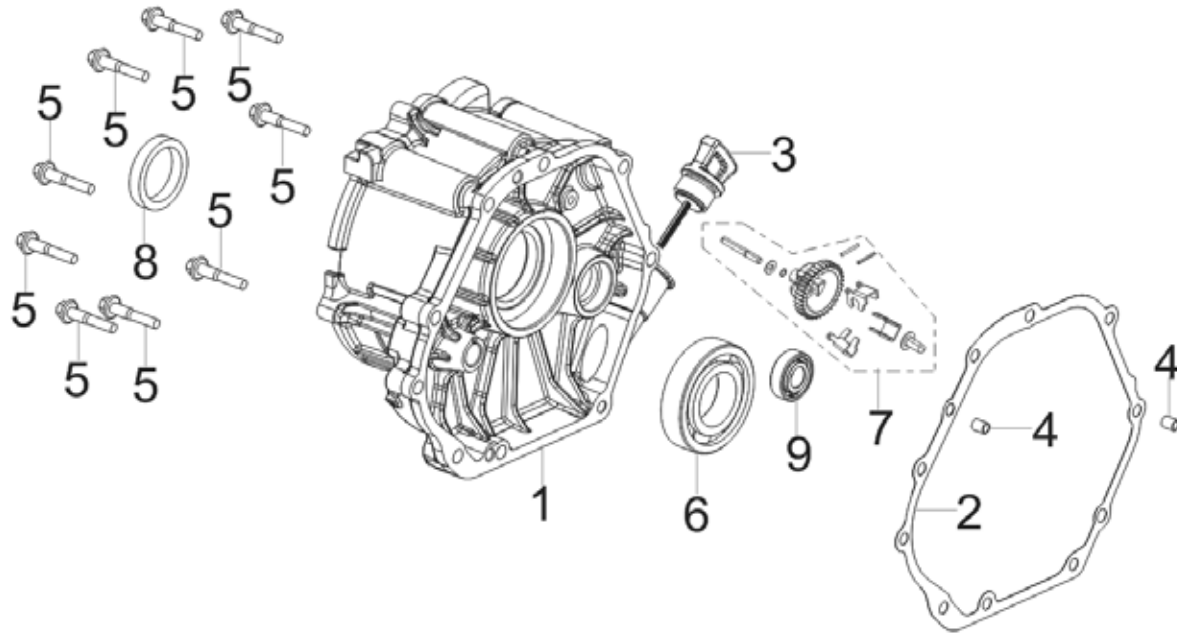


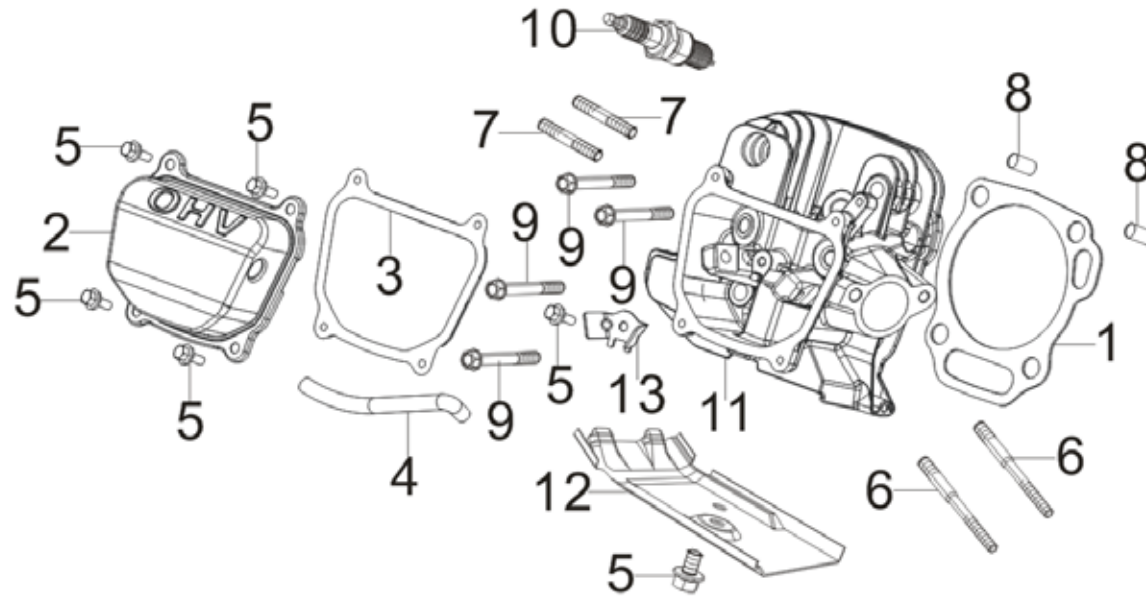
POS.	CODE	DESCRIPTION	QTY
1	A08340	CRANKCASE	1
2	A08723	OIL SEAL	1
3	A08544	ENGINE OIL SENSOR	1
4	A08545	RUBBER PLUG	1
5	A08615	OIL PROTECTOR	1
6	A08494	BOLT	3
7	A08546	FLAT WASHER	2
8	A09104	DRAIN PLUG BOLT	2
9	A08724	WIRE CLIP	1
10	A08725	GOVERNOR ARM,	1
11	A08548	FLAT WASHER	1
12	A08951	COTTER PIN	1
13	A08485	HEXAGON NUT WITH FLANGE	1
14	A08496	BOLT	2
15	A08549	BALL BEARING	1
16	A08726	OIL SEAL	1
17	A08327	STARTING MOTOR ASSEMBLY	1
18	A08600	HEXAGON SOCKET FLANGE FACE BOLT	2
19	A08727	CRANKCASE AIR DEFLECTOR	1
20	A08654	OIL PROTECTOR COVER	1
21	A08502	HEXAGON SOCKET FLANGE FACE BOLT	1

**E02**



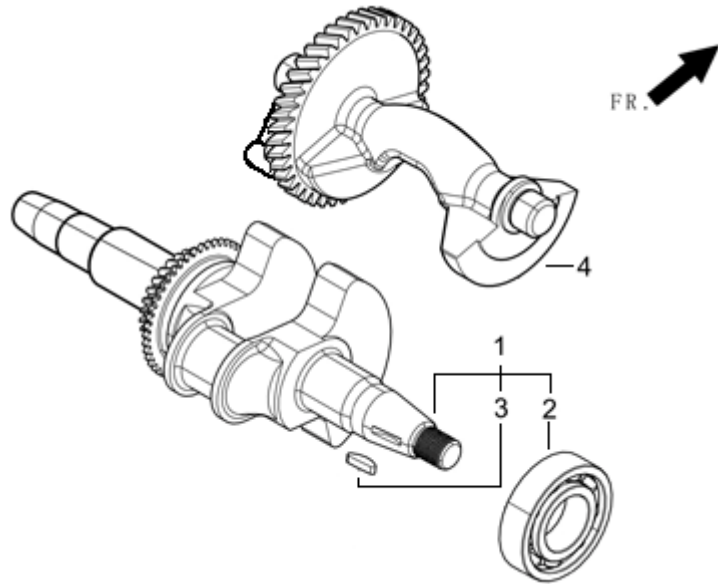
POS.	CODE	DESCRIPTION	QTY
1	A08341	CRANKCASE COVER	1
2	A08342	CRANKCASE GASKET	1
3	A08471	OIL DIPSTICK	1
4	A08550	POSITION PIN	2
5	A08728	BOLT	9
6	A08729	BALL BEARING	1
7	A08730	GOVERNOR GEAR	1
8	A08723	OIL SEAL	1
9	A08549	BALL BEARING	1

**E03**



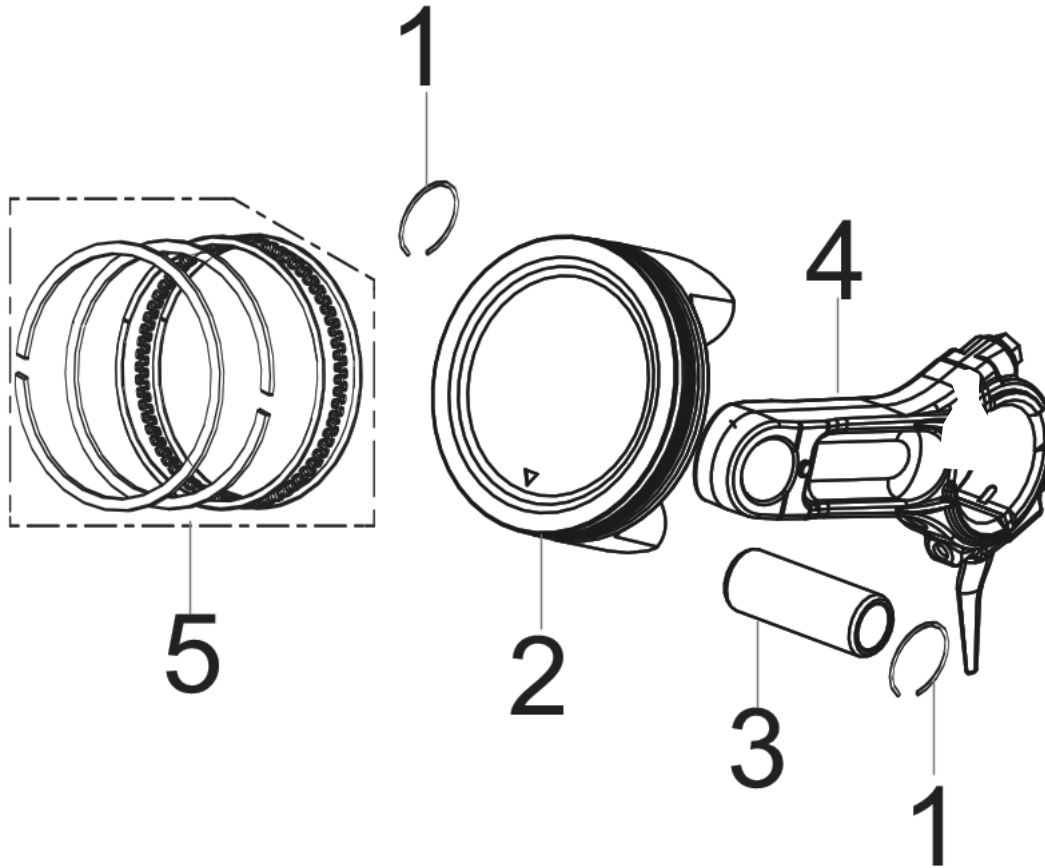
POS.	CODE	DESCRIPTION	QTY
1	A08343	CYLINDER HEAD GASKET	1
2	A08344	CYLINDER HEAD COVER	1
3	A08345	CYLINDER HEAD COVER GASKET	1
4	A08731	BREATHER TUBE	1
5	A08968	BOLT	6
6	A08555	STUD BOLT	2
7	A08489	STUD BOLT	2
8	A08557	POSITION PIN	2
9	A08346	CYLINDER HEAD BOLT	4
10	A08940	SPARK PLUG	1
11	A08347	CYLINDER HEAD	1
12	A08559	CYLINDER BODY SHROUD	1
13	A08348	CYLINDER HEAD COVER PIN LIMIT PLATE	1

**E04**



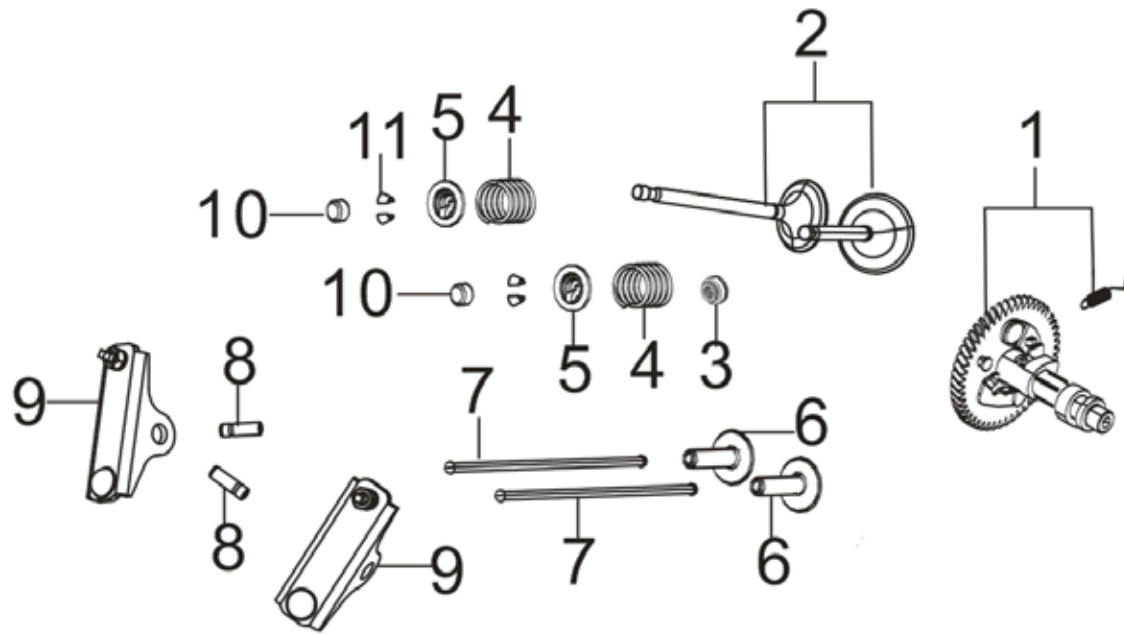
POS.	CODE	DESCRIPTION	QTY
1	A08413	CRANKSHAFT ASSEMBLY	1
2		BEARING 6208	1
3	A09916	KEY	1
4	A08425	BALANCING SHAFT	1

E05



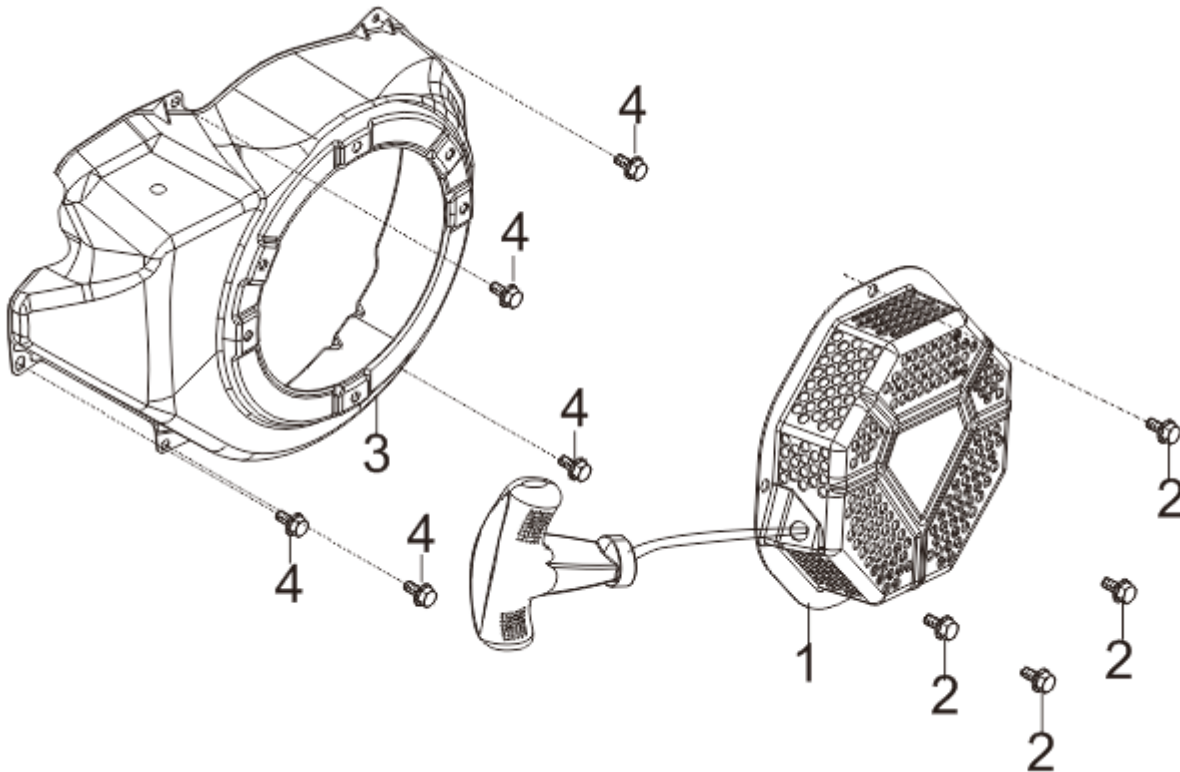
POS.	CODE	DESCRIPTION	QTY
1	A08410	PISTON PIN CLIP	2
2	A08349	PISTON	1
3	A08350	PISTON PIN	1
4	A08351	CONNECTING ROD	1
5	A08414	PISTON RING	1

**E06**



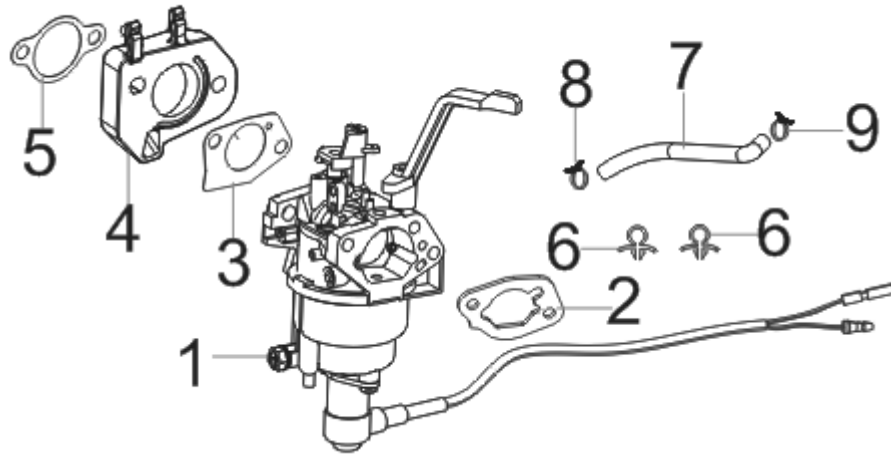
POS.	CODE	DESCRIPTION	QTY
1	A08446	CAMSHAFT	1
2	A08352	VALVES SET	1
3	A08338	SEAL GUIDE	1
4	A08353	VALVE SPRING	2
5	A08354	VALVE SPRING SEAT	2
6	A08444	VALVE TAPPET	2
7	A08434	VALVE LIFTER	2
8	A08464	ROCKER SHAFT	2
9	A08452	VALVE ROCKER	2
10	A08355	VALVE ROTATOR	2
11	A08356	VALVE LOCK CLAMP	4

**E07**



POS.	CODE	DESCRIPTION	QTY
1	A08655	STARTER RECOIL	1
2	A08732	BOLT AND FLAT WASHER	4
3	A08706	SHROUD	1
4	A08968	HEXAGON SOCKET FLANGE FACE BOLT	5

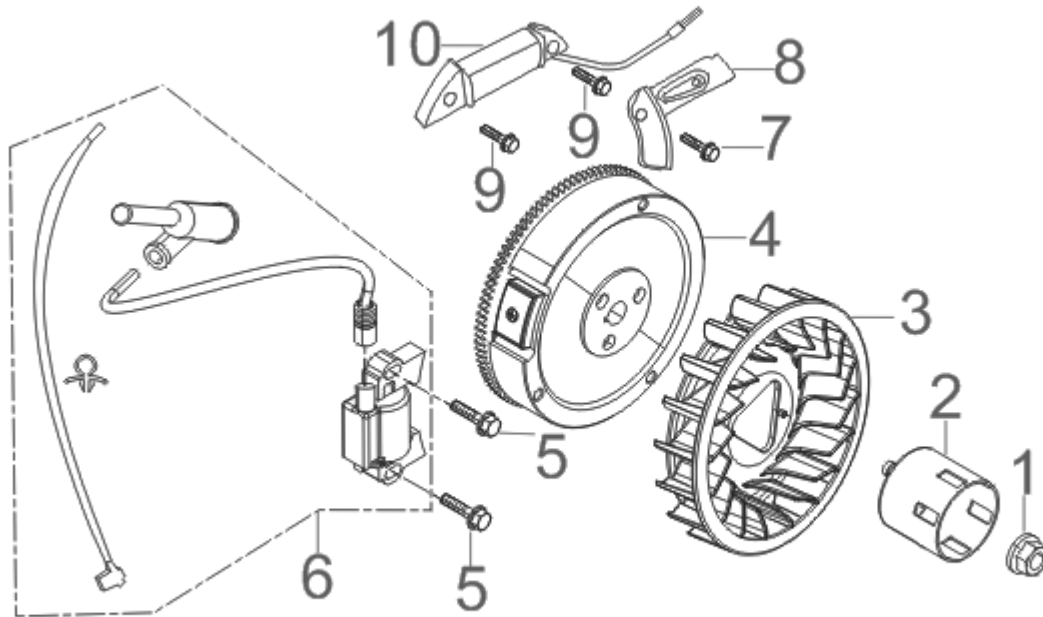
E09



POS.	CODE	DESCRIPTION	QTY
1	A08733	CARBURETOR ASSEMBLY	1
2	A08734	AIR CLEANER SEAL GASKET	1
3	A08472	CARBURETOR SEAL GASKET	1
4	A08479	CARBURETOR INSULATOR PLATE	1
5	A08735	INLET GASKET	1
6	A08736	WIRE CLIP	2
7	A08750	FUEL TUBE	1
8	A08737	PIPE CLAMP	1
9	A08816	COLLAR	1

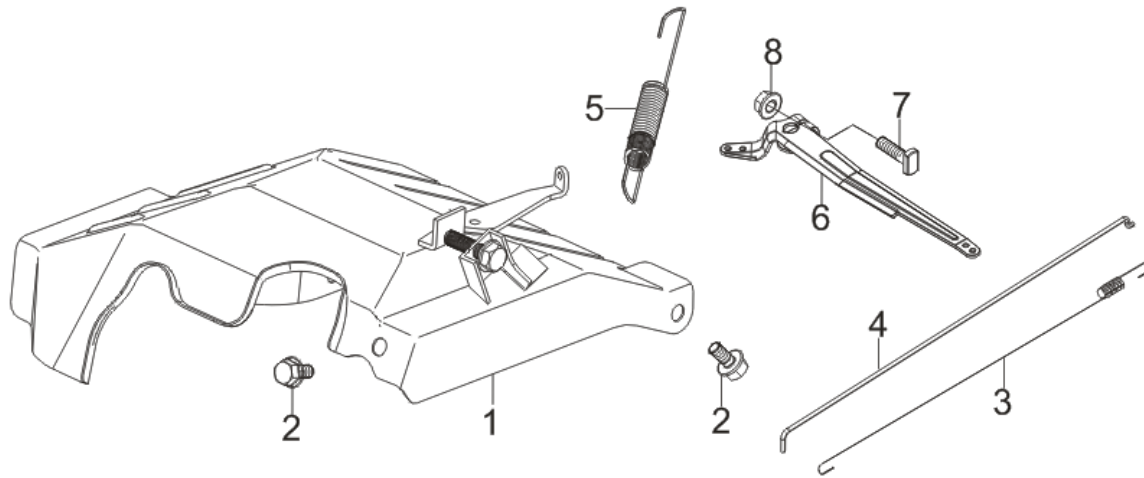


E10



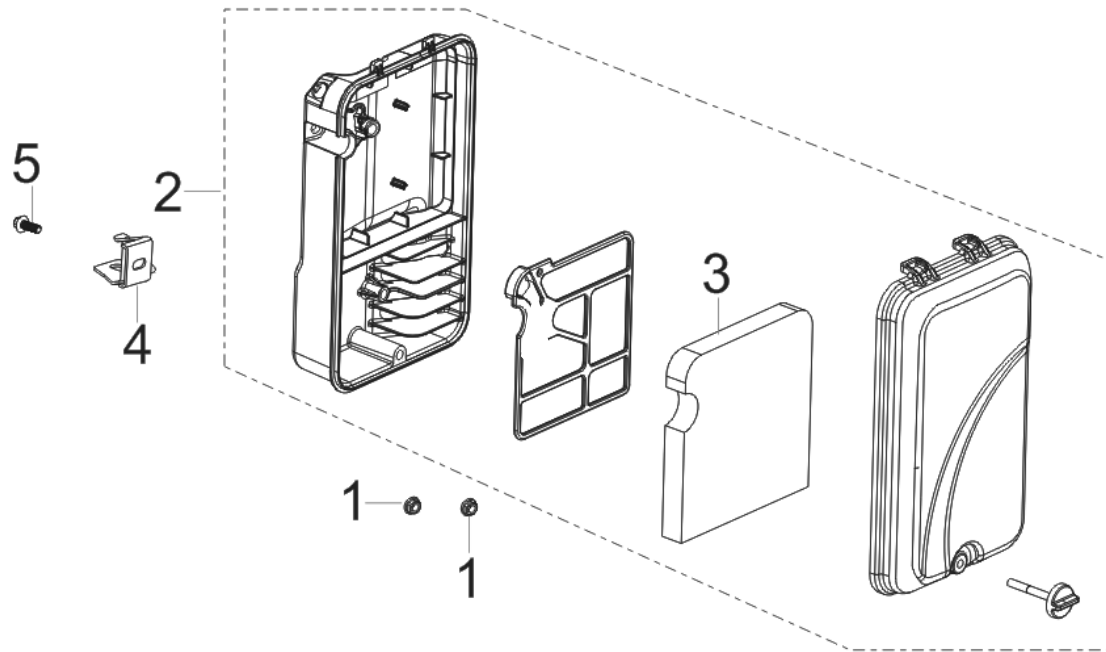
POS.	CODE	DESCRIPTION	QTY
1	A08431	FLYWHEEL NUT	1
2	A08564	STARTER PULLEY	1
3	A08657	IMPELLER	1
4	A08435	FLYWHEEL	1
5	A08937	HEXAGON SOCKET FLANGE FACE BOLT	2
6	A08566	IGNITION COIL	1
7	A08494	HEXAGON SOCKET FLANGE FACE BOLT	1
8	A08658	CHARGE COIL CLAMP	1
9	A08738	HEXAGON SOCKET FLANGE FACE BOLT	2
10	A08659	CHARGE COIL	1

**E11**



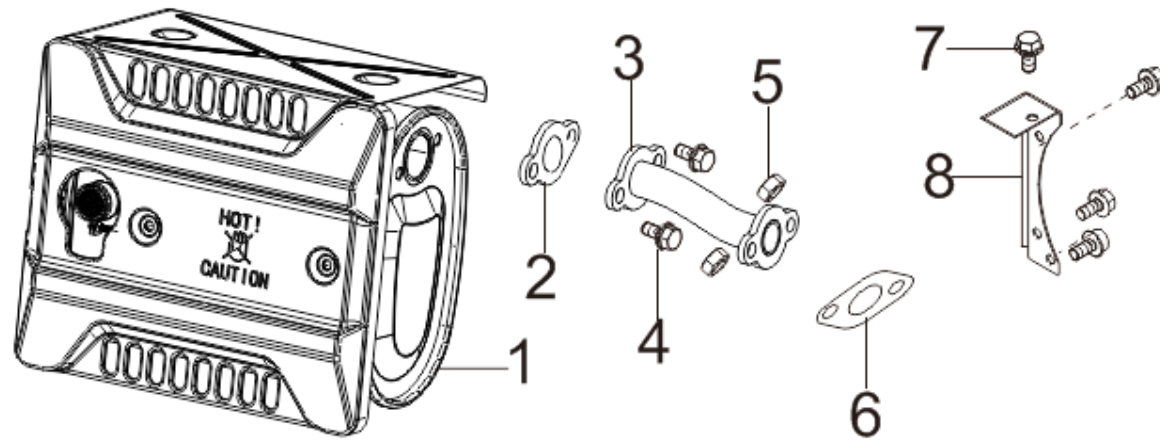
POS.	CODE	DESCRIPTION	QTY
1	A08739	THROTTLE CONTROL	1
2	A08968	HEXAGON SOCKET FLANGE FACE BOLT	2
3	A08568	THROTTLE VALVE RETURNING SPRING	1
4	A08569	GOVERNEOR ROD	1
5	A08740	GOVERNOR SPRING	1
6	A08571	GOVERNOR BRACKET	1
7	A08505	GOVERNOR SUPPORT BOLT	1
8	A08506	HEXAGON NUT WITH FLANGE	1

F01



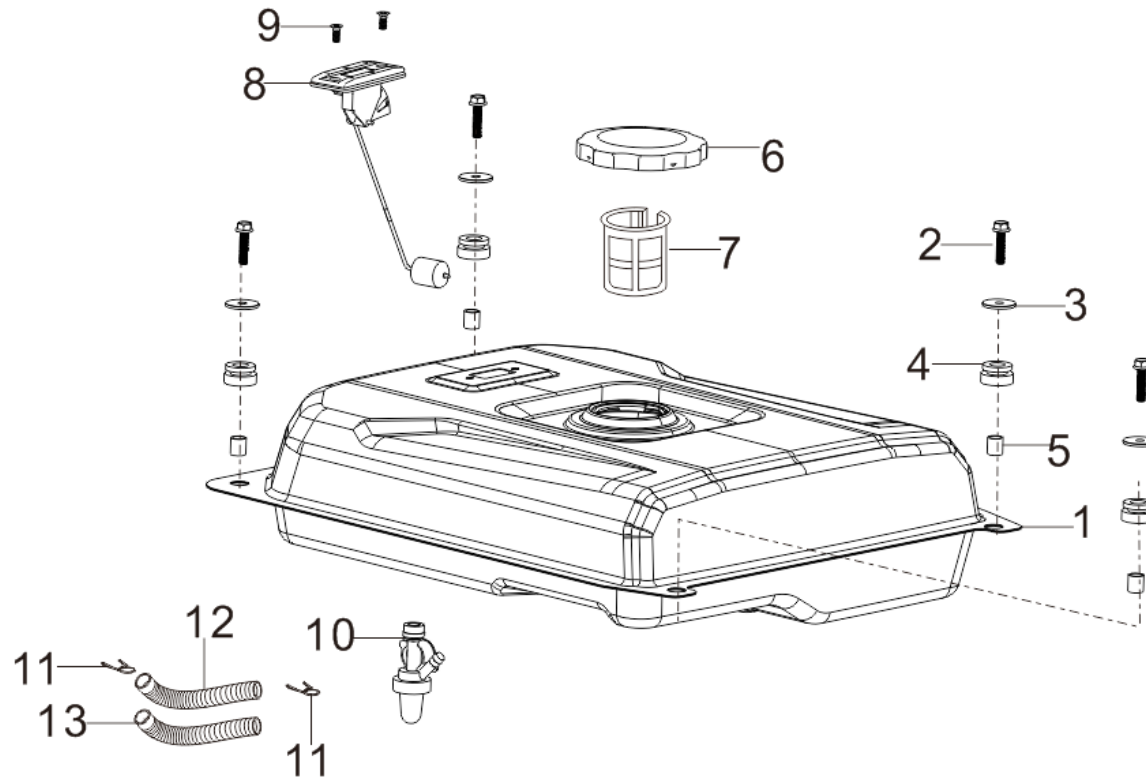
POS.	CODE	DESCRIPTION	QTY
1	A08506	HEXAGON NUT WITH FLANGE	2
2	A08741	AIR CLEANER	1
3	A08742	AIR CLEANER ELEMENT	1
4	A08743	AIR CLEANER SUPPORT	1
5	A08968	BOLT	1

**F02**



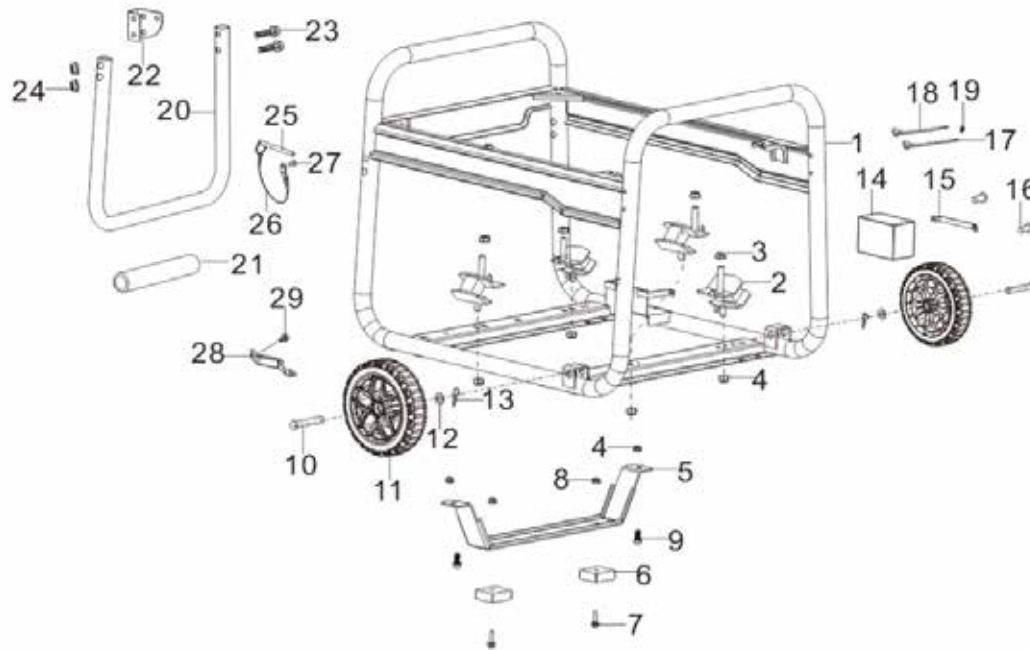
POS.	CODE	DESCRIPTION	QTY
1	A08744	MUFFLER	1
2	A08745	MUFFLER GASKET	1
3	A08746	EXHAUST PIPE	1
4	A08662	BOLT	2
5	A08747	HEXAGON NUT	2
6	A08748	MUFFLER GASKET	2
7	A08624	BOLT	4
8	A08664	MUFFLER BRACKET	1

**F03**



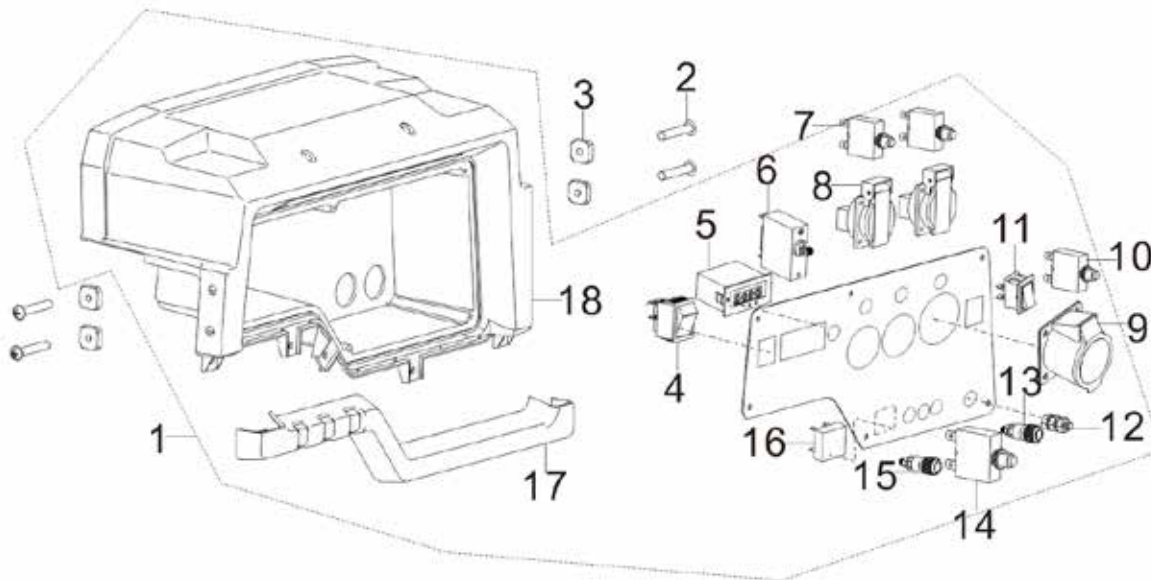
POS.	CODE	DESCRIPTION	QTY
1	A08665	FUEL TANK	1
2	A08639	HEXAGON SOCKET FLANGE FACE BOLT	4
3	A08515	FLAT WASHER	4
4	A08626	FUEL TANK RUBBER SLEEVE	4
5	A08749	BUSH	4
6	A08632	FUEL TANK COVER	1
7	A08633	FUEL STRAINER	1
8	A08630	OIL LEVELER	1
9	A08631	BOLT	2
10	A08628	FUEL COCK	1
11	A08816	COLLAR	2
12	A08750	FUEL TUBE	1
13	A08666	RUBBER JACKET	1

F04



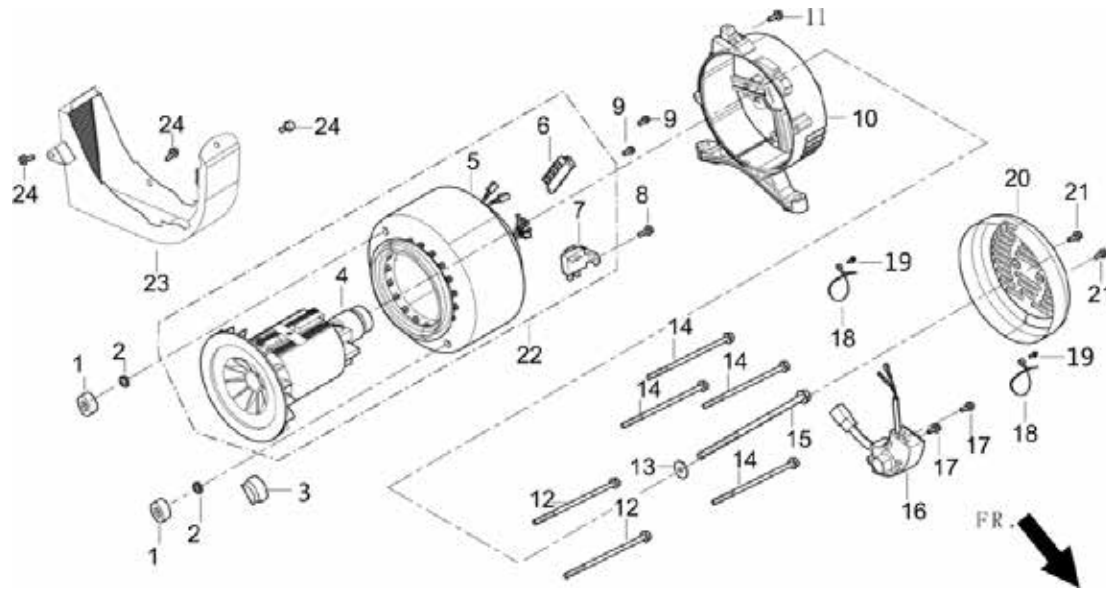
POS.	CODE	DESCRIPTION	QTY
1	A08712	ENGINE FRAME	1
2	A08668	ENGINE FRAME REAR CUSHION	4
3	A08751	HEXAGON LOCK NUT WITH FLANGE	4
4	A08520	HEXAGON LOCK NUT WITH FLANGE	6
5	A08669	ENGINE FRAME SHOCK ABSORPTION SUPPORT	1
6	A08670	ENGINE FRAME SHOCK ABSORPTION SEAT	2
7	A08671	HEXAGON SOCKET FLANGE FACE BOLT	2
8	A08506	HEXAGON LOCK NUT WITH FLANGE	2
9	A08624	HEXAGON SOCKET FLANGE FACE BOLT	2
10	A08672	FRONT WHEEL SHAFT	2
11	A08673	FRONT WHEEL	2
12	A08674	FLAT WASHER	2
13	A08675	COTTER PIN	2
14	A08676	BATTERY	1
15	A08677	BATTERY CLAMP	1
16	A08886	HEXAGON SOCKET FLANGE FACE BOLT	2
17	A08678	CATHODE WIRE	1
18	A08679	ANODE WIRE	1
19	A08646	HEXAGON SOCKET FLANGE FACE BOLT	1
20	A08680	HANDLE TUBE	1
21	A08681	HANDLE RUBBER SLEEVE	1
22	A08682	HANDLE TUBE CONNECTING SEAT	1
23	A08683	HEXAGON SOCKET FLANGE FACE BOLT	2
24	A08684	NUT	2
25	A08685	PIN SHAFT	1
26	A08686	SLING	1
27	A08687	HEXAGONAL HEAD BOLT	1
28	A08743	AIR CLEANER SUPPORT	1
29	A08968	HEXAGON SOCKET FLANGE FACE BOLT	1

F05



POS.	CODE	DESCRIPTION	QTY
1	A08752	CONTROL PANEL	1
2	A08690	BOLT	4
3	A08969	SQUARE NUT	4
4	A08606	SWITCH	1
5	A08642	VOLTMETER	1
6	A08753	SINGLE-POLE CIRCUIT BREAKER	1
7	A08584	OVERCURRENT PROTECTOR	2
8	A08529	POWER SUPPLY SOCKET	2
9	A08585	POWER SUPPLY SOCKET	1
10	A08754	OVERCURRENT PROTECTOR	1
11	A08691	SWITCH	1
12	A08531	GROUNDING TERMINAL	1
13	A08755	NEGATIVE BINDING POST	1
14	A08828	OVERCURRENT PROTECTOR	1
15	A08756	POSITIVE BINDING POST	1
16	A08528	RECTIFICATION BRIDGE	1
17	A08692	FRONT PANEL DECORATED PLATE	1
18	A08693	PANEL SEAT	1

F06



POS.	CODE	DESCRIPTION	QTY
1	A08700	STATOR NUT	2
2	A08699	STANDARD SPRING WASHER	2
3	A08757	MOTOR RIGHT COVER STOPPER	1
6	A08652	TERMINAL BLOCK	1
7	A08592	CARBON BRUSH	1
8	A08930	HEXAGON SOCKET FLANGE FACE BOLT	1
9	A08930	HEXAGON SOCKET FLANGE FACE BOLT	2
10	A08695	ALTERNATOR SUPPORT	1
11	A08536	HEXAGON SOCKET FLANGE FACE BOLT	1
12	A08758	STATOR BOLT	2
13	A08759	FLAT WASHER	1
14	A08760	STATOR BOLT	4
15	A08761	ROTOR BOL	1
16	A08762	VOLTAGE REGULATOR	1
17	A08930	HEXAGON SOCKET FLANGE FACE BOLT	2
18	A08594	BAND	2
19	A08930	HEXAGON SOCKET FLANGE FACE BOLT	2
20	A08697	ALTERNATOR TAIL COVER	1
21	A08536	HEXAGON SOCKET FLANGE FACE BOLT	2
22	A08763	ALTERNATOR ASSEMBLY	1
23	A08764	ALTERNATOR SHROUD	1
24	A08868	HEXAGON SOCKET FLANGE FACE BOLT	3