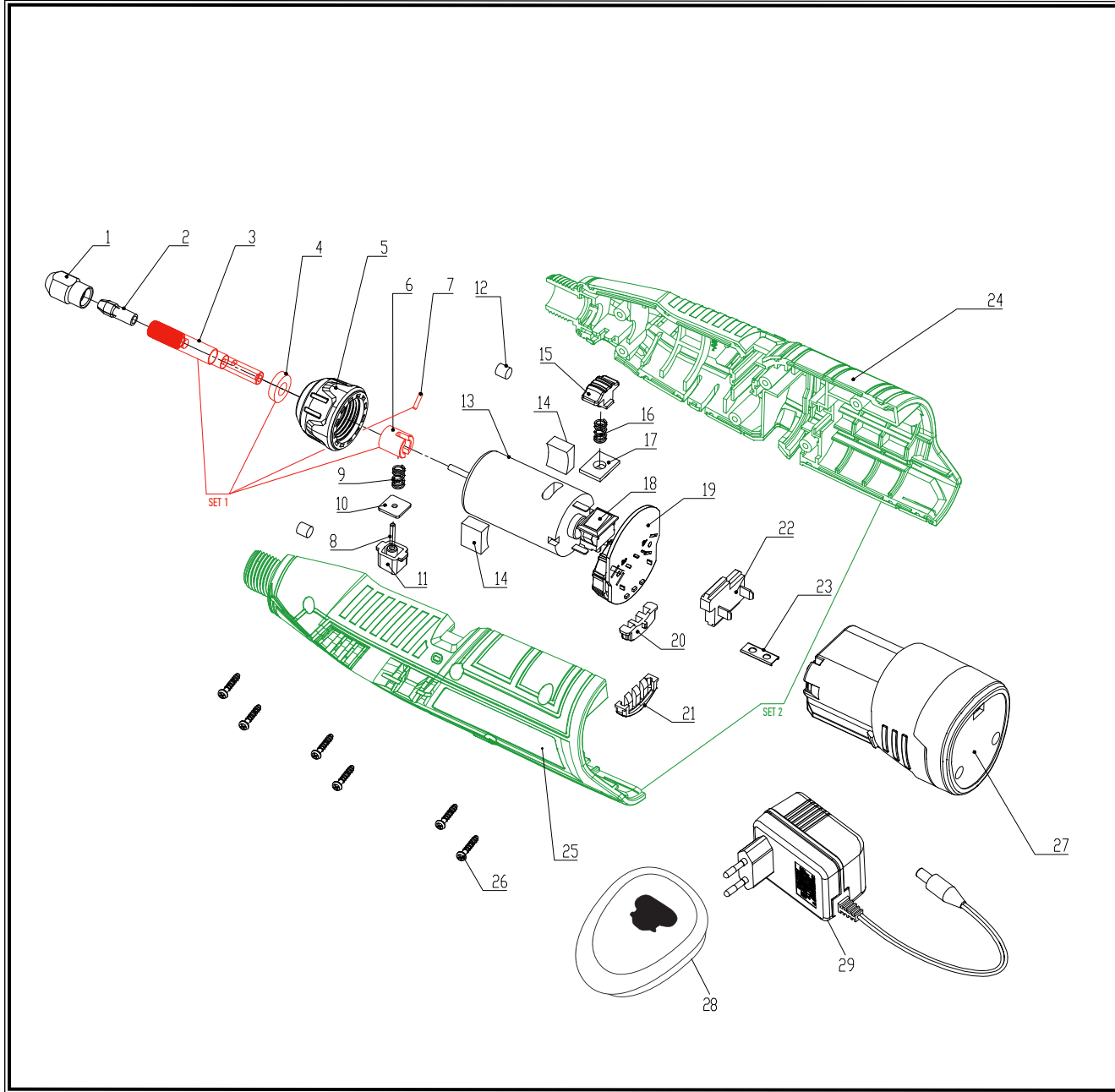


POS.	CODE	DESCRIPTION	QTY
1	42663	CAGE NUT	1
2	42664	BUS BAR LUGS	1
3,4+6,7 (set 1)	42665	CLAMP AXIS	1
5	42667	PLASTIC NUT	1
8	42670	KING PIN	1
9	42671	COMPRESSION SPRING	1
10	42672	SQUARE GASKET	1
11	42673	LOCK BUTTON	1
12	42674	SHOCKPROOF COLUMN	2
13	42675	MOTOR	1
14	42676	CRASH PAD	2
15	42677	MAIN SWITCH COVER	1
16	42678	MAIN SWITCH SPRING	1
17	42679	MAIN SWITCH UNDER THE COVER	1
18	42680	SWITCH	1
19	42681	SPEED SWITCHES	1
20	42682	POWER DISPLAY SUPPORT	1
21	42683	POWER DISPLAY COVER	1
22	42684	STENTS	1
23	42685	'V' BUTTON	1
24,25 (set 2)	42809	LEFT+RIGHT COVER	1
26	42688	TAPPING SREW	6



POS.	CODE	DESCRIPTION	QTY
27	41310	BATTERY 12V/2.0AH	1
28	42606 (UNTIL 2019)	CHARGER BASE	1
	A12212 (AFTER 2020)		
29	42848 (UNTIL 2019)	CHARGER ADAPTER	1
	A12214 (AFTER 2020)		