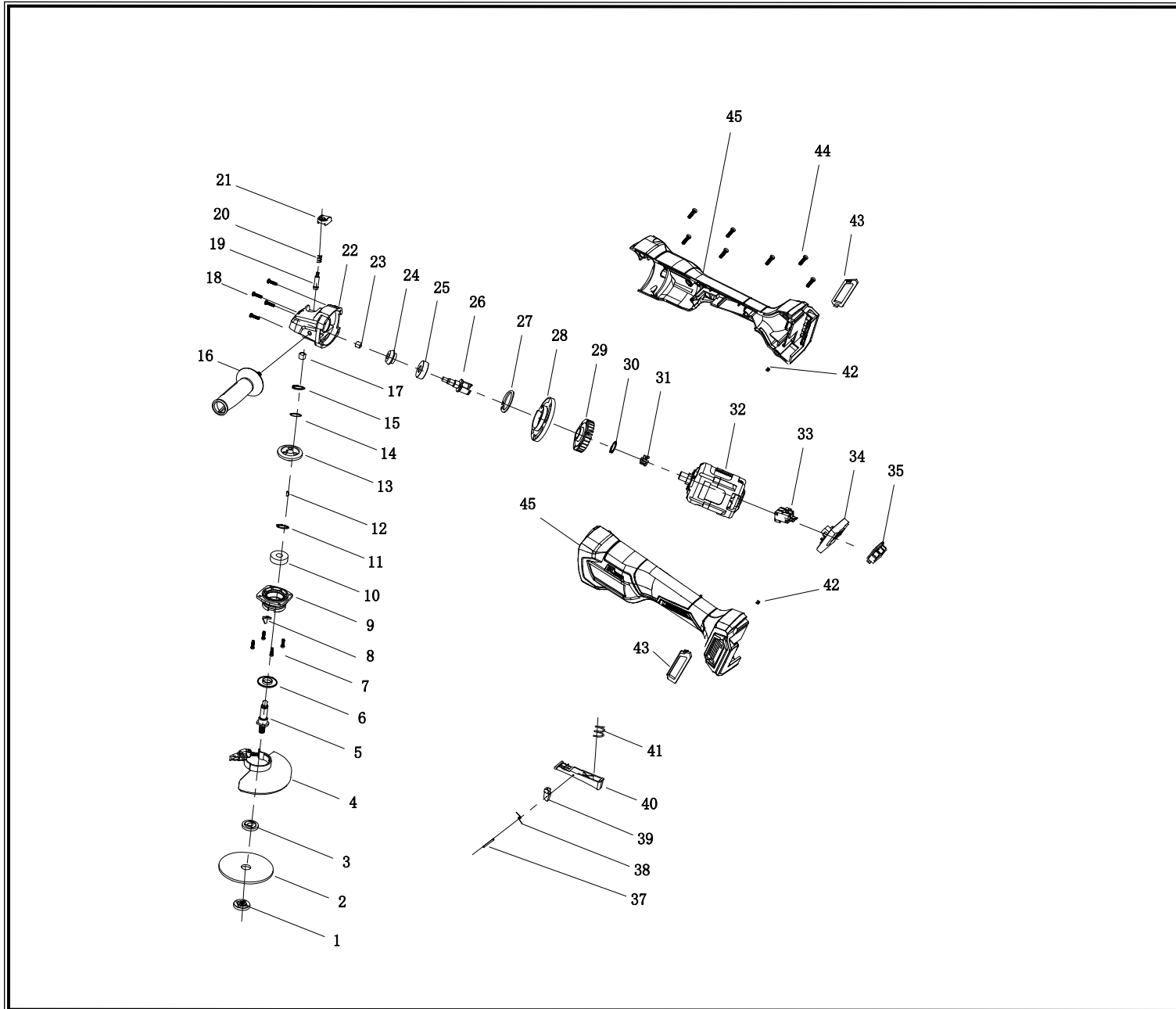


POS.	CODE	DESCRIPTION	QTY
1	A13451	CLAMP NUT	1
2		GRINDING WHEEL Ø125	1
3	A13452	DISC FLANGE	1
4	A13465	WHEEL GUARD	1
5	A13432	OUTPUT SHAFT	1
6	A13464	SHIELD	1
7	A13442	SCREW	4
8	A13463	EXPLOSION-PROOF STOP	1
9	A13471	GEAR BOX COVER	1
10	A13468	BALL BEARING 6201-2Z	1
11	A13433	ELASTIC RETAINER	1
12	A13470	KEY	1
13	A13443	GEAR	1
14	A13466	WAVE GASKET	1
15	A13434	CIRCLIP	1
16	A13473	HANDLE	1
17	A13439	NEEDLE ROLLER BEARING	1
18	A13441	SCREW	4
19	A13458	LOCK PIN	1
20	A13449	SELF-LOCKING SPRING	1
21	A13461	SELF-LOCKING CAP	1
22	A13459	HEAD SHELL	1
23	A13438	NEEDLE ROLLER BEARING	1
24	A13444	ANGLE GRINDING PINION	1
25	A13467	BEARING 6000-2RS	1
26	A13431	GEAR SHAFT	1
27	A13435	CIRCLIP	1



POS.	CODE	DESCRIPTION	QTY
28	A13450	GUIDE PLATE	1
29	A13472	BLADES	1
30	A13436	CIRCLIP	1
31	A13469	CONNECTING BRACKET	1
32	A13456	INTEGRATED BRUSHLESS MOTOR	1
33	A13445	SWITCH	1
34	A13460	BRUSHLESS CONTROL PANEL	1
35	A13437	TRIPOD BRACKET 18V	1
37	A13457	CYLINDRICAL PIN	1
38	A13446	SWITCH TRIGGER TORSION SPRING	1
39	A13455	SWITCH SELF-LOCK BUTTON	1
40	A13462	SWITCH TRIGGER	1
41	A13448	SWITCH TRIGGER SPRING	1
42	A13447	STAND SHOCKPROOF SPRING	2
43	A13453	AIR FILTER	2
44	A13440	SCREW	7
45	A13454	CHASSIS (L+R)	1