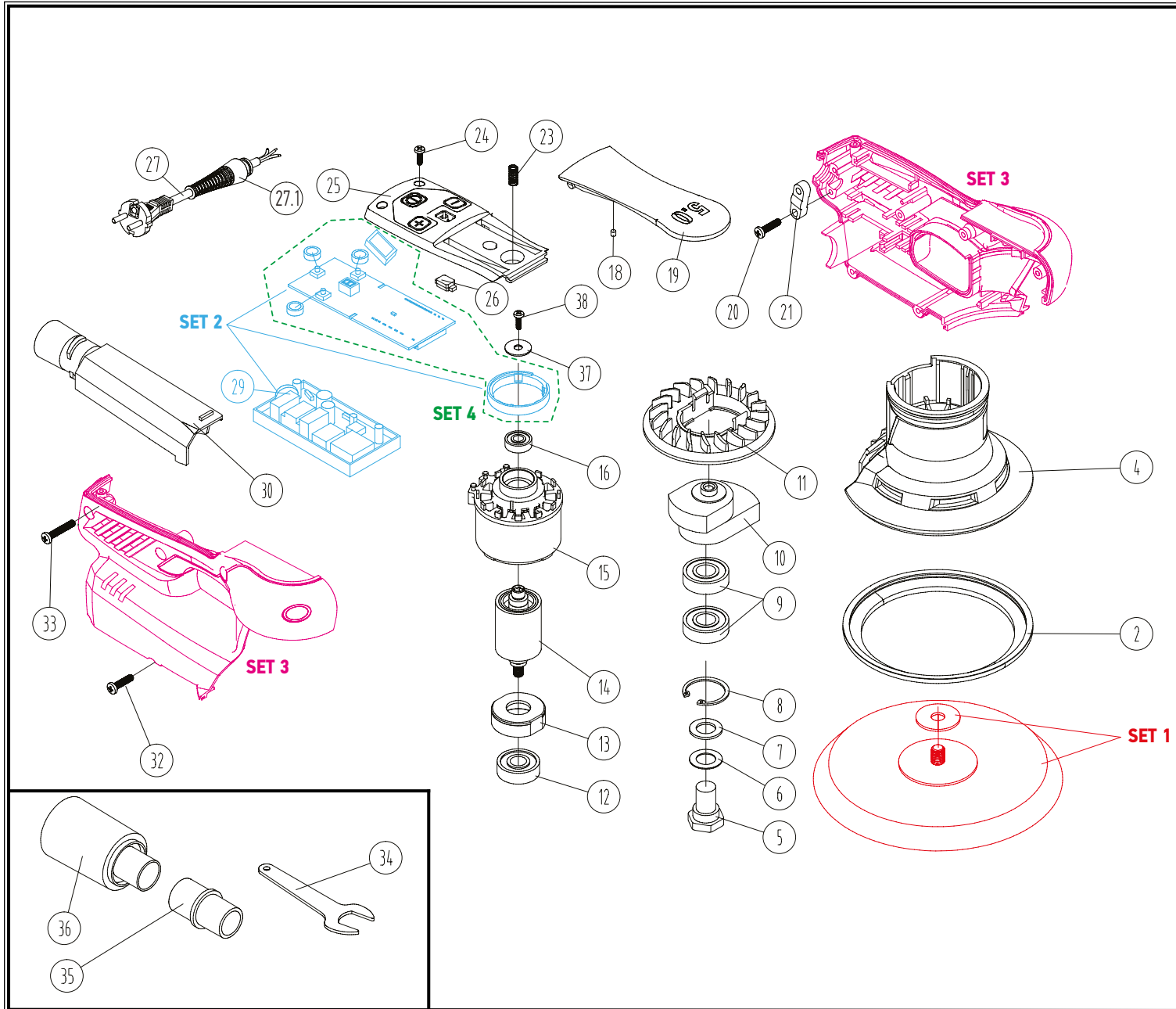


POS.	CODE	DESCRIPTION	QTY
2	A07432	BRAKE RUBBER GASKET	1
4	A07433	MOTOR HOUSING	1
5	A07434	DRIVE SHAFT	1
6	A07435	WASHER 12X20X1mm	1
7	A07436	SEALING WOOL 12X20X1,5mm	1
8	A07437	SNAP RING Ø28	1
9	A07438	BALL BEARING 6001 TPI	1
10	A07439	BALANCE WEIGHT	1
11	A07440	FAN	1
13	A07441	BEARING SLEEVE 26X33X10,5mm	1
14	A07442	ARMATURE	1
15	A07443	FIELD	2
18	A07445	MAGNET 3X3mm	1
19	A07446	SWITCH BUTTON	1
20	A07447	SCREW ST4X16	1
21	A07448	POWER CORD CLIP	1
23	A07450	SWITCH BUTTON SPRING	1
24	A07451	SCREW ST3X10	1
25	A07452	HOUSING WITH SWITCH BUTTON	1
26	A07453	INDICATION LIGHT COVER	1
27	A02208	POWER CORD WITH PLUG H05RN-F 3X0,75mm, 4m	2
27.1	A07454	POWER CORD GUARD	5
29	A13851	POWER CIRCUIT BOARD	1
30	A07458	HOUSING WITH VACUUM CONNECTION	1



POS.	CODE	DESCRIPTION	QTY
32	A07460	SCREW ST4X16	1
33	A07461	SCREW ST4X25	2
34	47121	PAD WRENCH	1
35	47122	VACUUM ADAPTER	1
36	47123	VACUUM ADAPTER	1
37	A07455	WASHER	1
38	A10888	BOLT	1
SET 1	47120	SANDER VELCRO PAD WITH SPACER, 150mm	1
SET 2	A07444	POWER & SPEED CONTROL CIRCUIT BOARDS WITH ALIGNMENT RING	1
SET 3	A07449	HOUSING, SET 2 PCS	1
SET 4	A13850	SPEED CIRCUIT BOARD WITH ALIGNMENT RING	1