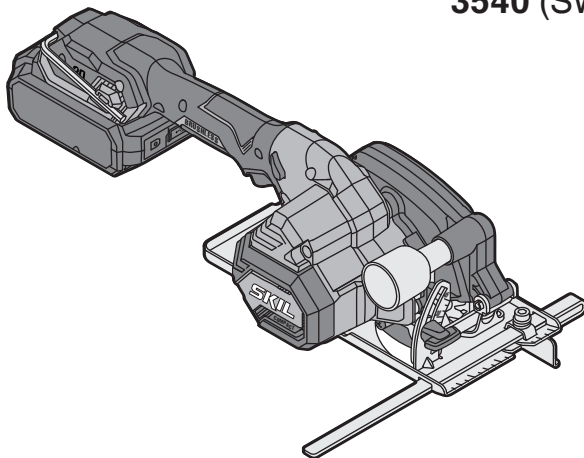


SKIL®

BRUSHLESS COMPACT MULTI SAW 3540 (SW1*3540**)



GB	ORIGINAL INSTRUCTIONS	8	UA	ОРИГІНАЛЬНА ІНСТРУКЦІЯ З ЕКСПЛУАТАЦІЇ	99
F	NOTICE ORIGINALE	13	GR	ΠΡΟΤΟΤΥΠΟ ΟΔΗΓΙΩΝ ΧΡΗΣΗΣ	105
D	ORIGINALBETRIEBSANLEITUNG	19	RO	INSTRUCȚIUNI DE FOLOSIRE ORIGINALA	112
NL	ORIGINELE GEBRUIKSAANWIJZING	25	BG	ОРИГИНАЛНО РЪКОВОДСТВО ЗА ЕКСПЛОАТАЦИЯ	118
S	BRUKSANVISNING I ORIGINAL	31	SK	PŮVODNÝ NÁVOD NA POUŽITIE	124
DK	ORIGINAL BRUGSANVISNING	36	HR	ORIGINALNE UPUTE ZA RAD	129
N	ORIGINAL BRUKSANVISNING	41	SRB	ORIGINALNO UPUTSTVO ZA RAD	135
FIN	ALKUPERÄISET OHJEET	46	SLO	IZVIRNA NAVODILA	140
E	MANUAL ORIGINAL	52	EST	ALGUPÄRANE KASUTUSJUHEND	145
P	MANUAL ORIGINAL	58	LV	ORIĢINĀLĀ LIETOŠANAS PAMĀCĪBA	151
I	ISTRUZIONI ORIGINALI	63	LT	ORIGINALI INSTRUKCIJA	157
H	EREDETI HASZNÁLATI UTASÍTÁS	69	MK	ИЗБОРНО УПАТСТВО ЗА РАБОТА	162
CZ	PŮVODNÍM NÁVODEM K POUŽÍVÁNÍ	75	AL	UDHËZIMET ORIGINALE	169
TR	ORIJİNAL İŞLETME TALİMATI	80	AR	دليل الاستعمال	183
PL	INSTRUKCJA ORYGINALNA	86	FA	راهنمای اصلی	179
RU	ПОДЛИННИК РУКОВОДСТВА ПО ЭКСПЛУАТАЦИИ	928			



www.skil.com



GB	EU Declaration of conformity Brushless compact multi saw Article number	We declare under our sole responsibility that the stated products comply with all applicable provisions of the directives and regulations listed below and are in conformity with the following standards. Technical file at:*
F	Déclaration de conformité UE Scie multi-matériaux compacte sans balais Numéro d'article	Nous déclarons sous notre propre responsabilité que les produits décrits sont en conformité avec les directives, règlements normatifs et normes énumérés ci-dessous. Dossier technique auprès de:*
D	EU-Konformitätserklärung Bürstenlose Akku-Handkreissäge Sachnummer	Wir erklären in alleiniger Verantwortung, dass die genannten Produkte allen einschlägigen Bestimmungen der nachfolgend aufgeführten Richtlinien und Verordnungen entsprechen und mit folgenden Normen übereinstimmen. Technische Unterlagen bei:*
NL	EU-conformiteitsverklaring Borstelloze compacte multizaag Productnummer	Wij verklaren op eigen verantwoordelijkheid dat de genoemde producten voldoen aan alle desbetreffende bepalingen van de hierna genoemde richtlijnen en verordeningen en overeenstemmen met de volgende normen. Technisch dossier bij:*
S	EU-konformitetsförklaring Borstlös kompakt multisåg Produktnummer	Vi förklarar under eget ansvar att de nämnda produkterna uppfyller kraven i alla gällande bestämmelser i de nedan angivna direktiven och förordningarna och att de stämmer överens med följande normer. Teknisk dokumentation:*
DK	EU-overensstemmelseserklæring Børsteløs kompakt multisav Typenummer	Vi erklærer som eneansvarlige, at det beskrevne produkt er i overensstemmelse med alle gældende bestemmelser i følgende direktiver og forordninger og opfylder følgende standarder. Tekniske bilag ved:*
N	EU-samsvarserklæring Børsteløs kompakt multisag Produktnummer	Vi erklærer under eneansvar at de nevnte produktene er i overensstemmelse med alle relevante bestemmelser i direktivene og forordningene nedenfor og med følgende standarder. Teknisk dokumentasjon hos:*
FIN	EU-vaatimustenmukaisuusvakuutus Harjaton kompakti monitoimisaha Tuotenumero	Vakuutamme täten, että mainitut tuotteet vastaavat kaikkia seuraavien direktiivien ja asetusten asiaankuuluvia vaatimuksia ja ovat seuraavien standardien vaatimusten mukaisia. Tekniset asiakirjat saatavana:*
E	Declaración de conformidad UE Sierra múltiple compacta sin escobillas Número de artículo	Declaramos bajo nuestra exclusiva responsabilidad, que los productos nombrados cumplen con todas las disposiciones correspondientes de las directivas y los reglamentos mencionados a continuación y están en conformidad con las siguientes normas. Documentos técnicos de:*
P	Declaração de conformidade CE Serra multiusos compacta sem escovas Número do produto	Declaramos sob nossa exclusiva responsabilidade que os produtos mencionados cumprem todas as disposições e os regulamentos indicados e estão em conformidade com as seguintes normas. Documentação técnica pertencente a:*
I	Dichiarazione di conformità UE Sega multiuso compatta brushless Codice prodotto	Dichiariamo sotto la nostra piena responsabilità che i prodotti indicati sono conformi a tutte le disposizioni pertinenti delle direttive e dei regolamenti elencati di seguito, nonché alle seguenti normative. Documentazione tecnica presso:*
H	EU konformitási nyilatkozat Szénkefe nélküli kompakt multifűrész Cikkszám	Egyedüli felelőséggel kijelentjük, hogy a megnevezett termékek megfelelnek az alábbiakban felsorolásra kerülő irányelvek és rendeletek valamennyi idevágó előírásainak és megfelelnek a következő szabványoknak. Műszaki dokumentumok megőrzési pontja:*
CZ	EU prohlášení o shodě Bezkontaktní kompaktní multifunkční pila Objednací číslo	Prohlašujeme na výhradní zodpovědnost, že uvedený výrobek splňuje všechna příslušná ustanovení níže uvedených směrnic a nařízení a je v souladu s následujícími normami. Technické podklady u:*
TR	AB Uygunluk beyanı Fırçasız kompakt çoklu testere Ürün kodu	Tek sorumlu olarak, tanımlanan ürünün aşağıdaki yönetmelik ve direktiflerin geçerli bütün hükümlerine ve aşağıdaki standartlara uygun olduğunu beyan ederiz. Teknik belgelerin bulunduğu yer:*
PL	Deklaracja zgodności UE Bezszcotkowa kompaktowa pila wielofunkcyjna Numer katalogowy	Oświadczamy z pełną odpowiedzialnością, że niniejsze produkty odpowiadają wszystkim wymaganiom poniżej wyszczególnionych dyrektyw i rozporządzeń, oraz że są zgodne z następującymi normami. Dokumentacja techniczna:*
RU	Заявление о соответствии ЕС Бесщеточная компактная универсальная пила Товарный номер	Мы заявляем под нашу единоличную ответственность, что названные продукты соответствуют всем действующим предписаниям нижеуказанных директив и распоряжений, а также нижеуказанным норм. Техническая документация хранится у:*
UA	Заява про відповідність ЄС Компактна універсальна пила з безщітковим мотором Товарний номер	Мизявляємо під нашу одноособову відповідальність, що названі вироби відповідають усім чинним положенням нижчеозначених директив і розпоряджень, а також нижчеозначеним нормам. Технічна документація зберігається у:*

GR	Δήλωση πιστότητας ΕΕ Κόμπακτ πρίονι πολλαπλών χρήσεων	Αριθμός ευρετηρίου	Δήλωνουμε με αποκλειστική μας ευθύνη, ότι τα αναφερόμενα προϊόντα αντιστοιχούν σε όλες τις σχετικές διατάξεις των πιο κάτω αναφερόμενων οδηγίων και κανονισμών και ταυτίζονται με τα ακόλουθα πρότυπα. Τεχνικά έγγραφα στη:*
RO	Declarație de conformitate UE Ferăstrău multiplu compact fără perii	Număr de identificare	Declaram pe proprie răspundere că produsele menționate corespund tuturor dispozițiilor relevante ale directivei și reglementărilor enumerate în cele ce urmează și sunt în conformitate cu următoarele standarde. Documentație tehnică la:*
BG	ЕС декларация за съответствие Безщетков компактен мултифункционален трион	Каталожен номер	С пълна отговорност ние декларираме, че посочените продукти отговарят на всички валидни изисквания на директивите и разпоредбите по-долу и съответства на следните стандарти. Техническа документация при:*
SK	EU vyhlásenie o zhode Bezkontaktná kompaktná viacúčelová píla	Vecné číslo	Vyhlasujeme na výhradnú zodpovednosť, že uvedený výrobok spĺňa všetky príslušné ustanovenia nižšie uvedených smerníc a nariadení a je v súlade s nasledujúcimi normami. Technické podklady má spoločnosť:*
HR	EU izjava o sukladnosti Kompaktna višenamjenska pila bez četkica	Kataloški broj	Pod punom odgovornošću izjavljujemo da navedeni proizvodi odgovaraju svim relevantnim odredbama direktiva i propisima navedenima u nastavku i da su sukladni sa sljedećim normama. Tehnička dokumentacija se može dobiti kod:*
SRB	EU-izjava o usaglašenosti Kompaktna višenamjenska testera bez četkica	Broj predmeta	Na sopstvenu odgovornost izjavljujemo, da navedeni proizvodi odgovaraju svim dotičnim odredbama naknadno navedenih smernica u uredbama i da su u skladu sa sledećim standardima. Tehnička dokumentacija kod:*
SLO	Izjava o skladnosti ES Kompaktna žaga za več materialov brez krtač	Številka artikla	Izjavljamo pod izključno odgovornostjo, da je omenjen izdelek v skladu z vsemi relevantnimi določili direktiv in uredb ter ustreza naslednjim standardom. Tehnična dokumentacija pri:*
EST	EL-vastavusdeklaratsioon Harjadeta kompaktna universaalsaag	Tootenumber	Kinnitame ainuvastustajatena, et nimetatud tooted vastavad järgnevalt loetletud direktiivide ja määruste kõiki dele asjaomastele nõuetele ja on kooskõlas järgmiste normidega. Tehnilised dokumendid saadaval:*
LV	Deklarācija par atbilstību EK standartiem Kompakts bezkontakta daudzfunkcionālais zāģis	Izstrādājuma numurs	Mēs ar pilnu atbildību paziņojam, ka šeit aplūkoti izstrādājumi atbilst visiem tālāk minētajās direktīvās un rīkojumos ietvertajām saistošajām nostādņēm, kā arī sekojošiem standartiem. Tehniskā dokumentācija no:*
LT	ES atitikties deklaracija Universalus kompaktiškas pjūklas su bešepečiu varikliu	Gaminio numeris	Atsakingai pareiškiame, kad išvardyti gaminiai atitinka visus privalomus žemiau nurodytų direktyvų ir reglamentų reikalavimus ir šiuos standartus. Techninė dokumentacija saugoma:*
MK	EU-Изјава за сообразност Компактна пила без четни за обработка на различни материјали	Број на артикл	Со целосна одговорност изјавуваме, дека опишаните производи се во согласност со сите релевантни одредби на следните регулативи и прописи и се во согласност со следните норми. Техничка документација кај:*
AL	EU Deklarata e konformitetit Multi sharrë kompakte pa karbonçina	Numri i nenit	Ne deklarojmë me përgjegjësinë tonë të vetme se produktet e paraqitura janë në përputhje me të gjitha dispozitat e zbatueshme të direktivave dhe rregulloreve të listuara më poshtë dhe janë në përputhje me standardet si më poshtë. Dosja teknike në:*
3540 SW1*3540**			2006/42/EC EN 62841-1:2015 2014/30/EU EN 62841-2-5:2014 2011/65/EU EN 55014-1:2021 EN 55014-2:2021 EN 63000:2018  *Skil BV Rithmeesterpark 22 A1 4838 GZ Breda The Netherlands Olaf Dijkgraaf Approval Manager  Skil BV, Rithmeesterpark 22 A1, 4838 GZ Breda, NL 10.05.2022

1

3540

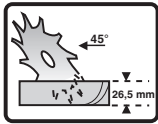
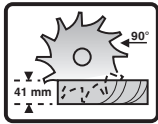
20V Max
18
Volt

2,0 Ah
2,5 Ah

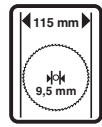
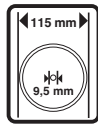
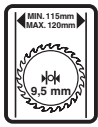
2,3 kg

4,0 Ah
5,0 Ah

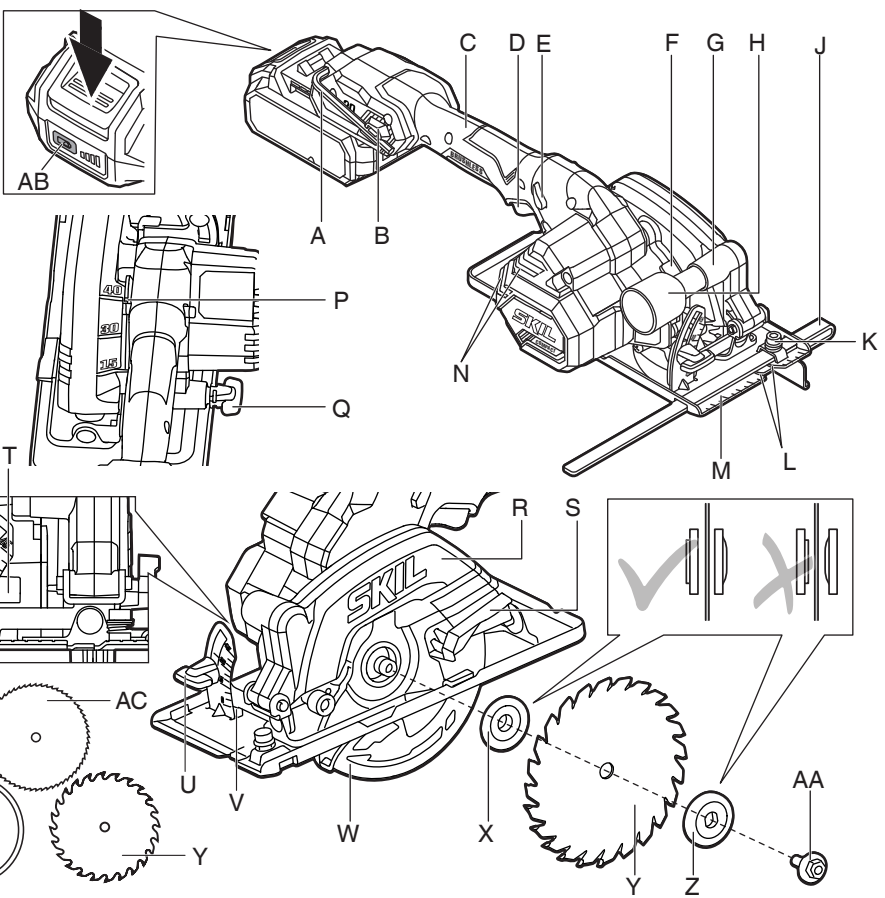
2,6 kg

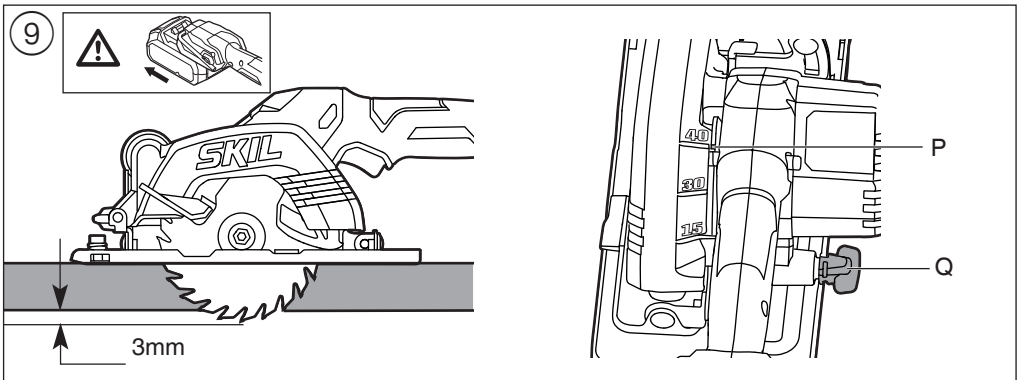
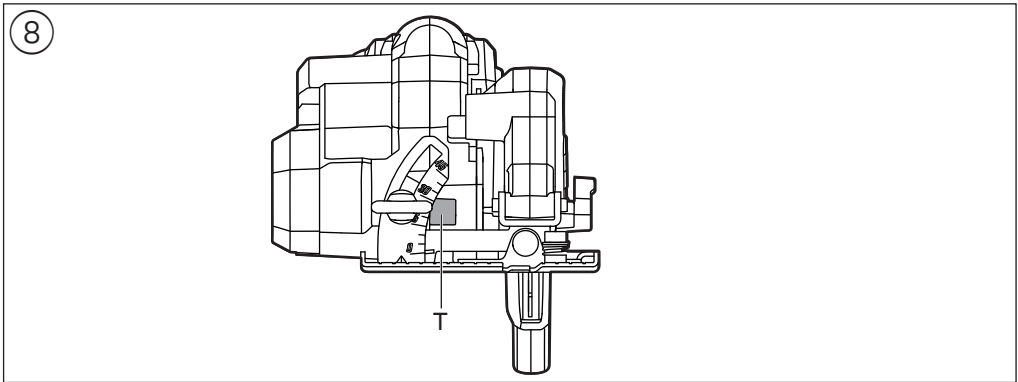
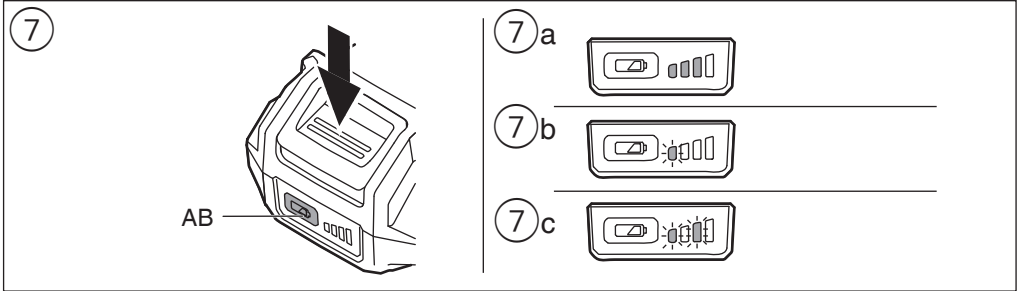
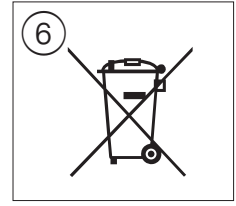
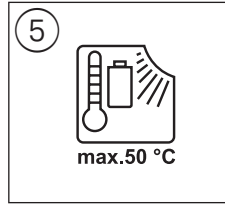
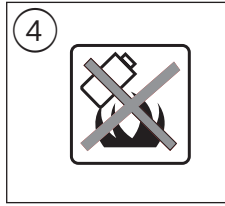
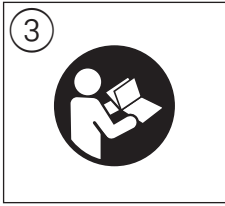


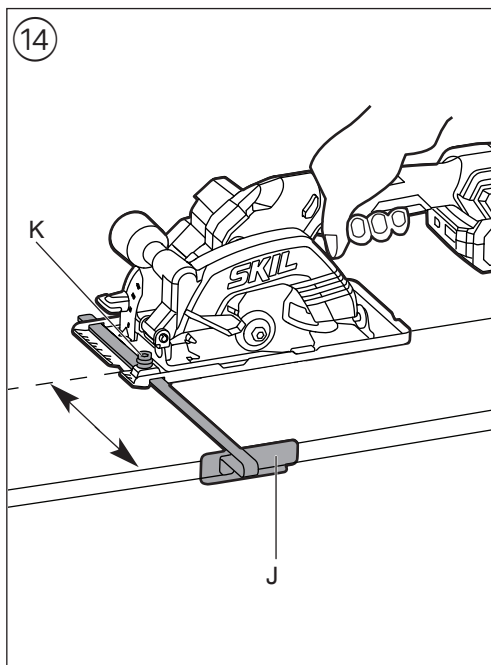
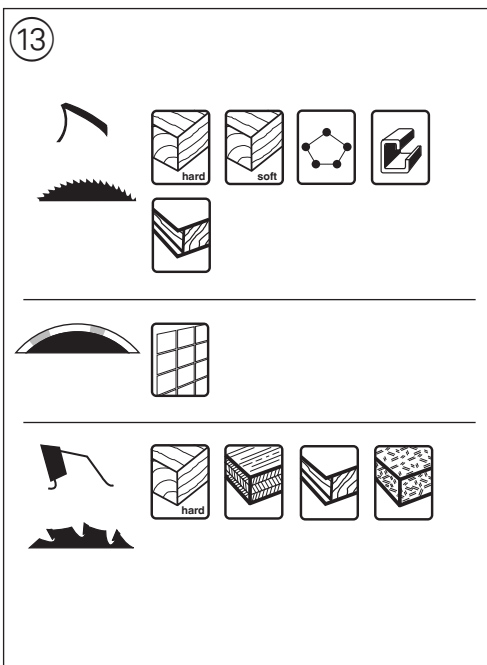
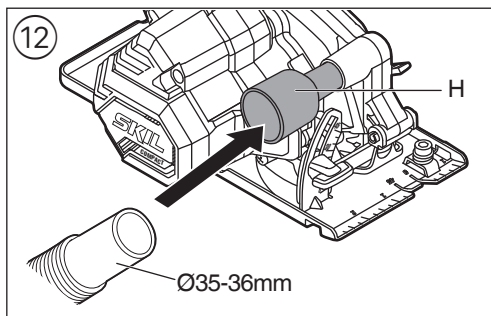
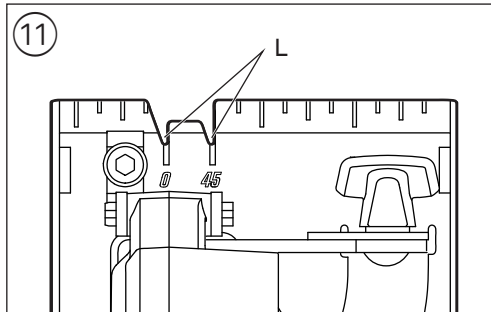
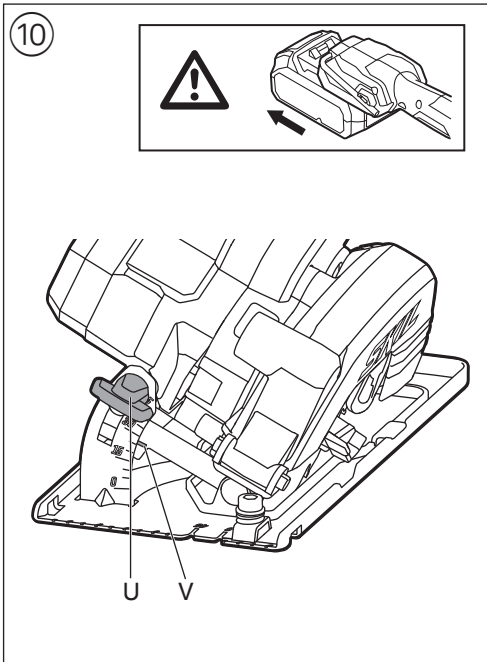

n₀
6500
/min

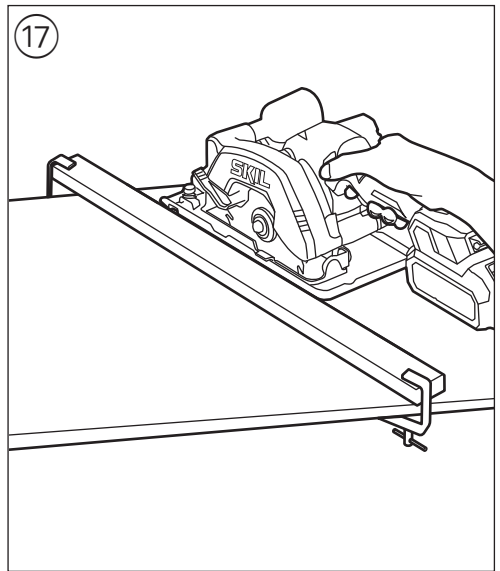
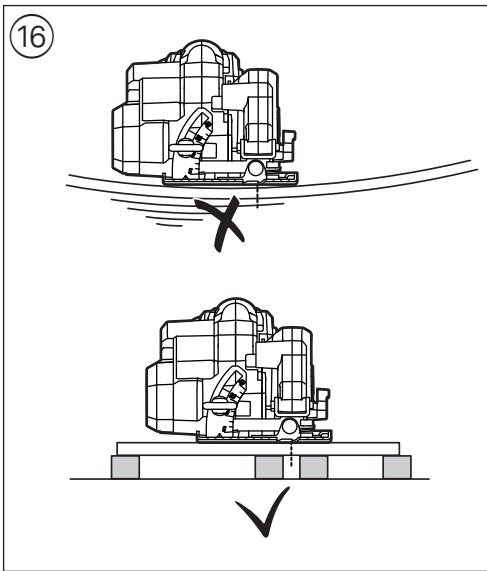
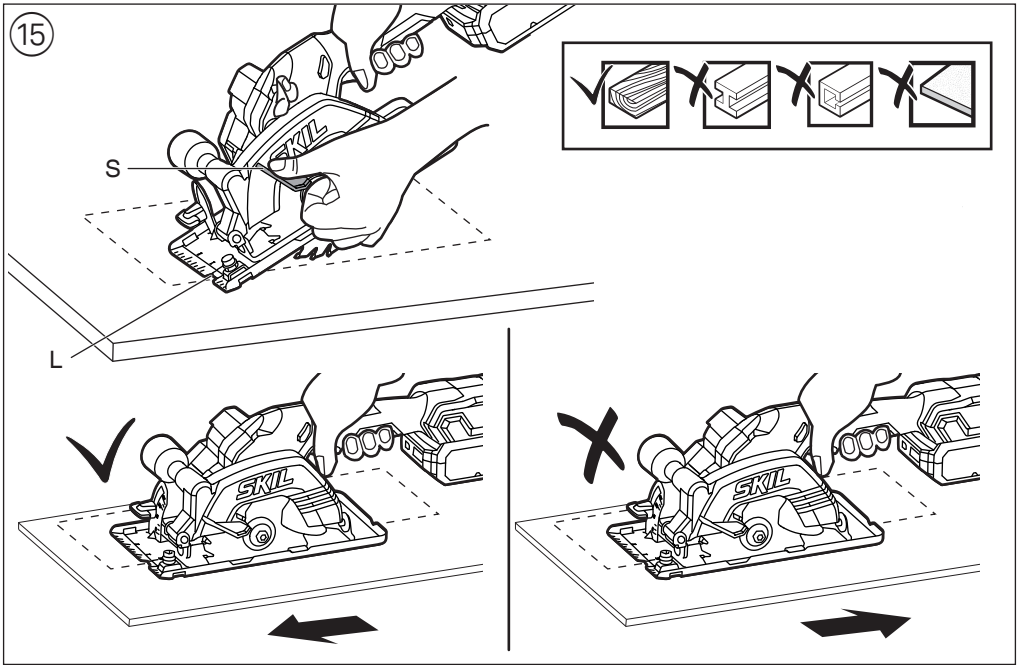


2









ACCESSORIES



WWW.SKIL.COM

Brushless compact multi saw

3540

INTRODUCTION

- This tool is intended for lengthways and crossways sawing of wood, chipboard, plywood, aluminium, tiles, stone, plastic and lightweight construction materials with straight cuts as well as angle cuts up to 45°
- This tool is not intended for professional use.
- Read and save this instruction manual.③

TECHNICAL DATA ①

TOOL ELEMENTS ②

A	Hex key
B	Storage for hex key
C	Handle
D	Trigger Switch
E	Safety switch
F	Spindle-lock button
G	Dust extractor port
H	Vacuum cleaner adapter
J	Parallel guide
K	Screw for adjusting parallel guide
L	Line-of-cut indicator
M	Foot plate
N	Ventilation slots
P	Cutting depth indicator
Q	Knob for setting sawing depth
R	Upper guard
S	Lever for opening lower guard
T	LED light
U	Knob for adjusting cutting angle
V	Cutting angle indicator
W	Lower guard
X	Clamping surface
Y	Carbide-tipped saw Blade
Z	Flange
AA	Blade Bolt
AB	Battery level indicator button
AC	Hardened steel saw blade
AD	Diamond disc

SAFETY

GENERAL POWER TOOL SAFETY WARNINGS

⚠ WARNING Read all safety warnings, instructions, illustrations and specifications provided with this power tool. Failure to follow all instructions listed below may result in electric shock, fire and/or serious injury.

Save all warnings and instructions for future reference.

The term "power tool" in the warnings refers to your mainsoperated (corded) power tool or battery-operated (cordless) power tool.

1) WORK AREA SAFETY

- Keep work area clean and well lit.** Cluttered or dark areas invite accidents.
- Do not operate power tools in explosive atmospheres, such as in the presence of flammable liquids, gases or dust.** Power tools create sparks which may ignite the dust or fumes.
- Keep children and bystanders away while operating a power tool.** Distractions can cause you to lose control.

2) ELECTRICAL SAFETY

- Power tool plugs must match the outlet. Never modify the plug in any way. Do not use any adapter plugs with earthed (grounded) power tools.** Unmodified plugs and matching outlets will reduce risk of electric shock.
- Avoid body contact with earthed or grounded surfaces such as pipes, radiators, ranges and refrigerators.** There is an increased risk of electric shock if your body is earthed or grounded.
- Do not expose power tools to rain or wet conditions.** Water entering a power tool will increase the risk of electric shock.
- Do not abuse the cord. Never use the cord for carrying, pulling or unplugging the power tool. Keep cord away from heat, oil, sharp edges or moving parts.** Damaged or entangled cords increase the risk of electric shock.
- When operating a power tool outdoors, use an extension cord suitable for outdoor use.** Use of a cord suitable for outdoor use reduces the risk of electric shock.
- If operating a power tool in a damp location is unavoidable, use a residual current device (RCD) protected supply.** Use of an RCD reduces the risk of electric shock.

3) PERSONAL SAFETY

- Stay alert, watch what you are doing and use common sense when operating a power tool. Do not use a power tool while you are tired or under the influence of drugs, alcohol or medication.** A moment of inattention while operating power tools may result in serious personal injury.
- Use personal protective equipment. Always wear eye protection.** Protective equipment such as a dust mask, non-skid safety shoes, hard hat, or hearing protection used for appropriate conditions will reduce personal injuries.
- Prevent unintentional starting. Ensure the switch is in the off-position before connecting to power source and/or battery pack, picking up or carrying the tool.** Carrying power tools with your finger on the switch or energising power tools that have the switch on invites accidents.
- Remove any adjusting key or wrench before turning the power tool on.** A wrench or a key left attached to a rotating part of the power tool may result in personal injury.
- Do not overreach. Keep proper footing and balance at all times.** This enables better control of the power tool in unexpected situations.
- Keep your hair and clothing away from moving parts.** Loose clothes, jewellery or long hair can be caught in moving parts.

- g) If devices are provided for the connection of dust extraction and collection facilities, ensure these are connected and properly used. Use of dust collection can reduce dust-related hazards.
 - h) Do not let familiarity gained from frequent use of tools allow you to become complacent and ignore tool safety principles. A careless action can cause severe injury within a fraction of a second.
- 4) POWER TOOL USE AND CARE**
- a) Do not force the power tool. Use the correct power tool for your application. The correct power tool will do the job better and safer at the rate for which it was designed.
 - b) Do not use the power tool if the switch does not turn it on and off. Any power tool that cannot be controlled with the switch is dangerous and must be repaired.
 - c) Disconnect the plug from the power source and/ or remove the battery pack, if detachable, from the power tool before making any adjustments, changing accessories, or storing power tools. Such preventive safety measures reduce the risk of starting the power tool accidentally.
 - d) Store idle power tools out of the reach of children and do not allow persons unfamiliar with the power tool or these instructions to operate the power tool. Power tools are dangerous in the hands of untrained users.
 - e) Maintain power tools and accessories. Check for misalignment or binding of moving parts, breakage of parts and any other condition that may affect the power tool's operation. If damaged, have the power tool repaired before use. Many accidents are caused by poorly maintained power tools.
 - f) Keep cutting tools sharp and clean. Properly maintained cutting tools with sharp cutting edges are less likely to bind and are easier to control.
 - g) Use the power tool, accessories and tool bits etc., in accordance with these instructions, taking into account the working conditions and the work to be performed. Use of the power tool for operations different from those intended could result in a hazardous situation.
 - h) Keep handles and grasping surfaces dry, clean and free from oil and grease. Slippery handles and grasping surfaces do not allow for safe handling and control of the tool in unexpected situations.
- 5) BATTERY TOOL USE AND CARE**
- a) Recharge only with the charger specified by the manufacturer. A charger that is suitable for one type of battery pack may create a risk of fire when used with another battery pack.
 - b) Use power tools only with specifically designated battery packs. Use of any other battery packs may create a risk of injury and fire.
 - c) When battery pack is not in use, keep it away from other metal objects like paper clips, coins, keys, nails, screws, or other small metal objects that can make a connection from one terminal to another. Shorting the battery terminals together may cause burns or a fire.
 - d) Under abusive conditions, liquid may be ejected from the battery; avoid contact. If contact accidentally occurs, flush with water. If liquid contacts eyes, additionally seek medical help. Liquid

- ejected from the battery may cause irritation or burns.
 - e) Do not use a battery pack or tool that is damaged or modified. Damaged or modified batteries may exhibit unpredictable behaviour resulting in fire, explosion or risk of injury.
 - f) Do not expose a battery pack or tool to fire or excessive temperature. Exposure to fire or temperature above 130°C may cause explosion.
 - g) Follow all charging instructions and do not charge the battery pack or tool outside the temperature range specified in the instructions. Charging improperly or at temperatures outside the specified range may damage the battery and increase the risk of fire.
- 6) SERVICE**
- a) Have your power tool serviced by a qualified repair person using only identical replacement parts. This will ensure that the safety of the power tool is maintained.
 - b) Never service damaged battery packs. Service of battery packs should only be performed by the manufacturer or authorized service providers.

SAFETY INSTRUCTIONS FOR CIRCULAR SAWS

Cutting procedures

- a) **DANGER: Keep hands away from cutting area and the blade.** If both hands are holding the saw, they cannot be cut by the blade.
- b) Do not reach underneath the workpiece. The guard cannot protect you from the blade below the workpiece.
- c) Adjust the cutting depth to the thickness of the workpiece. Less than a full tooth of the blade teeth should be visible below the workpiece.
- d) Never hold the workpiece in your hands or across your leg while cutting. Secure the workpiece to a stable platform. It is important to support the work properly to minimize body exposure, blade binding, or loss of control.
- e) Hold the power tool by insulated gripping surfaces, when performing an operation where the cutting tool may contact hidden wiring. Contact with a "live" wire will also make exposed metal parts of the power tool "live" and could give the operator an electric shock.
- f) When ripping, always use a rip fence or straight edge guide. This improves the accuracy of cut and reduces the chance of blade binding.
- g) Always use blades with correct size and shape (diamond versus round) of arbor holes. Blades that do not match the mounting hardware of the saw will run off-center, causing loss of control.
- h) Never use damaged or incorrect blade washers or bolt. The blade washers and bolt were specially designed for your saw, for optimum performance and safety of operation.

Kickback causes and related warnings

- Kickback is a sudden reaction to a pinched, jammed or misaligned saw blade, causing an uncontrolled saw to lift up and out of the workpiece toward the operator.
- When the blade is pinched or jammed tightly by the kerf closing down, the blade stalls and the motor reaction

drives the unit rapidly back toward the operator.

- If the blade becomes twisted or misaligned in the cut, the teeth at the back edge of the blade can dig into the top surface of the wood causing the blade to climb out of the kerf and jump back toward the operator.

Kickback is the result of saw misuse and/or incorrect operating procedures or conditions and can be avoided by taking proper precautions as given below.

- Maintain a firm grip on the saw and position your arms to resist kickback forces. Position your body to either side of the blade, but not in line with the blade.** Kickback could cause the saw to jump backwards, but kickback forces can be controlled by the operator, if proper precautions are taken.
- When blade is binding, or when interrupting a cut for any reason, release the trigger and hold the saw motionless in the material until the blade comes to a complete stop. Never attempt to remove the saw from the work or pull the saw backward while the blade is in motion or kickback may occur.** Investigate and take corrective actions to eliminate the cause of blade binding.
- When restarting a saw in the workpiece, center the saw blade in the kerf so that the saw teeth are not engaged into the material.** If a saw blade binds, it may walk up or kickback from the workpiece as the saw is restarted.
- Support large panels to minimize the risk of blade pinching and kickback.** Large panels tend to sag under their own weight. Supports must be placed under the panel on both sides, near the line of cut and near the edge of the panel.
- Do not use dull or damaged blades.** Unsharpened or improperly set blades produce narrow kerf causing excessive friction, blade binding and kickback.
- Blade depth and bevel adjusting locking levers must be tight and secure before making the cut.** If blade adjustment shifts while cutting, it may cause binding and kickback.
- Use extra caution when sawing into existing walls or other blind areas.** The protruding blade may cut objects that can cause kickback.

Lower guard function

- Check the lower guard for proper closing before each use. Do not operate the saw if the lower guard does not move freely and close instantly. Never clamp or tie the lower guard into the open position.** If the saw is accidentally dropped, the lower guard may be bent. Raise the lower guard with the retracting handle and make sure it moves freely and does not touch the blade or any other part, in all angles and depths of cut.
- Check the operation of the lower guard spring. If the guard and the spring are not operating properly, they must be serviced before use.** Lower guard may operate sluggishly due to damaged parts, gummy deposits, or a build-up of debris.
- The lower guard may be retracted manually only for special cuts such as “plunge cuts” and “compound cuts”. Raise the lower guard by the retracting handle and as soon as the blade enters the material,**

the lower guard must be released. For all other sawing, the lower guard should operate automatically.

- Always observe that the lower guard is covering the blade before placing the saw down on bench or floor.** An unprotected, coasting blade will cause the saw to walk backwards, cutting whatever is in its path. Be aware of the time it takes for the blade to stop after switch is released.

ADDITIONAL SAFETY WARNINGS

GENERAL

- This tool should not be used by people under the age of 16 years
- This tool is not suitable for wet cutting
- **Do not work materials containing asbestos (asbestos is considered carcinogenic)**
- Dust from material such as paint containing lead, some wood species, minerals and metal may be harmful (contact with or inhalation of the dust may cause allergic reactions and/or respiratory diseases to the operator or bystanders); **wear a dust mask and work with a dust extraction device when connectable**
- Certain kinds of dust are classified as carcinogenic (such as oak and beech dust) especially in conjunction with additives for wood conditioning; **wear a dust mask and work with a dust extraction device when connectable**
- Follow the dust-related national requirements for the materials you want to work with
- Do not use this saw in combination with a saw table
- Remove battery from tool before making any adjustments or changing accessories

ACCESSORIES

- SKIL can assure flawless functioning of the tool only when original accessories are used
- Use only saw blades that correspond with the characteristic data given in these operation instructions and that are tested and marked in accordance with EN 847-1, if intended for wood and wood-like materials.
- Use only accessories with an allowable speed matching at least the highest no-load speed of the tool
- **Use only saw blades/cut-off wheels with a minimum diameter of 115 mm, a maximum diameter of 120 mm and a spindle hole of 9.5 mm**
- Never use grinding discs with this tool
- Handle and store accessories with care
- Identify the correct saw blade to be used for the material to be cut.

BEFORE USE

- Avoid damage that can be caused by screws, nails and other elements in your workpiece; remove them before you start working
- Remove all obstacles on top of as well as underneath the cutting path before you start cutting
- **Secure the workpiece** (a workpiece clamped with clamping devices or in a vice is held more securely than by hand)
- **Use suitable detectors to find hidden utility lines or call the local utility company for assistance or call the local utility company for assistance**(contact with electric lines can lead to fire or electrical shock; damaging a gas line can result in an explosion; penetrating a water pipe will cause property damage or an electrical shock)

DURING USE

- The noise level when working can exceed 85 dB(A); wear ear protection
- Never use the tool without the original protection guard system
- Do not attempt to cut extremely small workpieces
- Do not work overhead with the tool
- In case of jamming or electrical or mechanical malfunction, immediately switch off the tool and remove the battery

AFTER USE

- When you put away the tool, switch off the motor and ensure that all moving parts have come to a complete standstill
- After switching off your circular saw, never stop the rotation of the saw blade by a lateral force applied against it

BATTERIES

- The battery supplied is partially charged (to ensure full capacity of the battery, completely charge the battery in the battery charger before using your power tool for the first time)
- Only use the following batteries and chargers with this tool
 - SKIL battery: BR1*31****
 - SKIL charger: CR1*31****
- Do not use the battery when damaged; it should be replaced
- Do not disassemble the battery
- Do not expose tool/battery to rain
- Permitted ambient temperature (tool/charger/battery):
 - when charging 4...40°C
 - during operation -20...+50°C
 - during storage -20...+50°C

EXPLANATION OF SYMBOLS ON TOOL/BATTERY

- ③ Read the instruction manual before use
- ④ Batteries may explode when disposed of in fire, so do not burn battery for any reason
- ⑤ Store tool/charger/battery in locations where temperature will not exceed 50°C
- ⑥ Do not dispose of electric tools and batteries together with household waste material

USE

- Charging battery
 - ! read the safety warnings and instructions provided with the charger
- Removing/installing the battery ②
- Battery level indicator ⑦
 - press the battery level indicator button AB to show the current battery level ⑦a
 - ! when the lowest level of the battery indicator starts flashing after pressing button AB ⑦b, the battery is empty
 - ! when 2 levels of the battery indicator start flashing after pressing button AB ⑦c, the battery is not within the allowable operating temperature range
- LED-light T ⑧
 - LED-light automatically lights on when the tool starts running
 - ! when LED-light starts flashing, the battery protection is activated (see below)
- Battery protection
 - The tool is suddenly being switched off or prevented from

being switched on, when

- **the load is too high** --> remove load and restart
- **the battery temperature is not within the allowable operating temperature range of -20 to +50°C** --> 2 levels of the battery level indicator start flashing when pressing button AB ⑦c; wait until battery has returned within the allowable operating temperature range
- **the battery is nearly empty (to protect against deep discharge)** --> a low battery level or flashing low battery level up is shown by the battery level indicator when pressing button AB; charge battery
- ! do not continue to press the on/off switch after the tool is switched off automatically; battery may be damaged
- Mounting saw blade ②
 - ! remove battery from tool
 - take hex key A from storage B
 - push spindle-lock button F and hold it while you remove blade bolt AA by turning hex key A CLOCKWISE (= in same direction as arrow printed on saw blade)
 - ! push spindle-lock button F only when tool is at a standstill
 - release spindle-lock button F
 - remove flange Z
 - ! make sure that clamping surfaces X of flanges are perfectly clean and face the blade
 - open lower guard W with lever S and hold it while you mount saw blade with saw teeth and arrow printed on saw blade pointing in same direction as arrow on upper guard
 - release lower guard W
 - mount flange Z
 - push spindle-lock button F and hold it while you tighten blade bolt with hex key 1/8 turn past finger tight (ensures slippage of saw blade when it encounters excessive resistance thus reducing motor overload and saw kickback)
 - release spindle-lock button F
- Adjusting cutting depth (0-41 mm) ⑨
 - for an optimal quality cut the saw blade should not extend more than 3 mm below the workpiece
 - loosen knob Q
 - raise/lower foot M until desired cutting depth is set on scale using indicator P
 - tighten knob Q
- Adjusting cutting angle (0-45°) ⑩
 - loosen knob U
 - tilt tool until desired cutting angle is set on scale using indicator V
 - tighten knob U
 - ! when bevel cutting, cutting depth does not correspond with value on cutting depth scale
- Line-of-cut indicator L ⑪
 - for guiding tool along desired line of cut marked on the workpiece
 - for a straight 0° cut or a 45° bevel cut use the indicator line concerned
 - ! the wide part of the foot should rest on the supported part of the workpiece
 - ! cutting width is determined by width of blade teeth and not by width of blade body
 - ! always make trial cuts first to verify actual line of cut

- Dust suction ⑫
For using vacuum cleaner
 - connect vacuum cleaner hose to vacuum cleaner adapter H
 - ! never let the vacuum cleaner hose interfere with the lower guard or the cutting operation
 - ! do not use vacuum cleaner when cutting metal
- Operating the tool
 - mount battery
 - always hold handle C firmly
 - place tool with front end of foot flat on workpiece
 - ! ensure that the saw teeth are not engaged into the workpiece
 - switch on tool by first pressing knob E (= safety switch which cannot be locked) and then pulling trigger D
 - ! the tool should run at full speed before the blade enters into the workpiece
 - lower guard W opens automatically when saw blade enters the workpiece (open lower guard manually by using lever S only for special cuts such as plunge cuts)
 - ! do not force the tool (apply light and continuous pressure in order to avoid overheating the blade tips)
 - ! while working, always hold the tool at the grip area(s)
 - after completing the cut switch off tool by releasing trigger D
 - ! ensure that the blade has come to a complete standstill, before you lift the tool from the workpiece

APPLICATION ADVICE

- Always face the good side of the workpiece down to ensure minimum splintering ensure minimum splintering when sawing wood and wood-like materials.
- Sawing performance and cutting quality depend essentially on the condition and the tooth count of the saw blade.
- Only use sharp saw blades that are suited for the material being cut ⑬
 - use hardened steel saw blade AC ② for cutting wood, aluminium, plastic and all sorts of laminated wood
 - use diamond disc AD ② for cutting ceramics and tiles
 - carbide tipped blades Y ② stay sharp up to 30 times longer than ordinary blades
- Parallel guide J ⑭
 - for making exact cuts along a workpiece edge
 - insert through the slots in the front end of the foot
 Adjusting parallel guide
 - loosen screw K using hex key A
 - adjust to desired cutting width by using parallel guide scale (use line-of-cut indicator L as 0-reference)
 - tighten screw K
- Plunge cutting ⑮
 - set desired cutting depth
 - tilt tool forward with line-of-cut indicator L lined up with desired line of cut marked on the workpiece
 - open lower guard W with lever S
 - just before blade enters workpiece, switch on tool and gradually lower back end of tool using front end of foot as hinge-point
 - gradually move tool downward as well as forward
 - as soon as blade enters the material, release lever S

! never pull tool backwards

- Cutting large panels ⑯
 - support panel close to the cut either on floor, table or workbench
 - ! set cutting depth so that you cut through panel and not through support
 - in case parallel guide does not allow desired width of cut, clamp or nail straight piece of wood to workpiece as a guide, and use the left side of the foot against this guide ⑰
- For more information see www.skil.com

MAINTENANCE / SERVICE

- This tool is not intended for professional use
- Always keep tool clean (especially ventilation slots N)
- ! remove battery from tool before cleaning
- Always keep the area around lower guard W ② clean (remove dust and chips by blowing out with compressed air or with a brush)
- Clean saw blade immediately after use (especially from resin and glue)
- If the tool should fail despite the care taken in manufacturing and testing procedures, repair should be carried out by an after-sales service centre for SKIL power tools
 - send the tool undismantled together with proof of purchase to your dealer or the nearest SKIL service station (addresses as well as the service diagram of the tool are listed on www.skil.com)
- Be aware that damage due to overload or improper handling of the tool will be excluded from the warranty (for the SKIL warranty conditions see www.skil.com or ask your dealer)

ENVIRONMENT

- Do not dispose of electric tools, batteries, accessories and packaging together with household waste material (only for EU countries)
 - in observance of European Directive 2012/19/EC on waste of electric and electronic equipment and its implementation in accordance with national law, electric tools that have reached the end of their life must be collected separately and returned to an environmentally compatible recycling facility
 - symbol ⑥ will remind you of this when the need for disposing occurs
 - ! prior to disposal protect battery terminals with heavy tape to prevent short-circuit

NOISE / VIBRATION

- Measured in accordance with EN 62841 the sound pressure level of this tool is 96 dB(A) and the sound power level 107 dB(A) (uncertainty K = 3 dB), and the vibration * (triax vector sum; uncertainty K = 1.5 m/s²)
 - * cutting wood < 2.5 m/s²
 - * cutting metal < 2.5 m/s²
- The vibration emission level has been measured in accordance with a standardised test given in EN 62841; it may be used to compare one tool with another and as a preliminary assessment of exposure to vibration when using the tool for the applications mentioned
 - using the tool for different applications, or with different

- or poorly maintained accessories, may significantly increase the exposure level
- the times when the tool is switched off or when it is running but not actually doing the job, may significantly reduce the exposure level

! protect yourself against the effects of vibration by maintaining the tool and its accessories, keeping your hands warm, and organizing your work patterns

F

Scie multi-matériaux compacte sans balais

3540

INTRODUCTION

- Cet outil est prévu pour scier longitudinalement et transversalement du bois, de l'aggloméré, du contreplaqué, de l'aluminium, des dalles, de la pierre, des matériaux de construction légers ou en plastique avec des coupes droites et angulaires jusqu'à 45°
- Cet outil n'est pas conçu pour un usage professionnel.
- Lisez et conservez ce mode d'emploi. ③

DONNÉES TECHNIQUES ①

PIÈCES DE L'OUTIL ②

- A Clé six pans
- B Rangement pour la clé hexagonale
- C Poignée
- D Interrupteur-gâchette
- E Interrupteur de sécurité
- F Bouton de blocage de la broche
- G Port d'aspiration des poussières
- H Adaptateur de l'aspirateur
- J Butée parallèle
- K Vis de réglage du guide parallèle
- L Indicateur de la ligne de coupe
- M Semelle
- N Fentes de ventilation
- P Indicateur de profondeur de coupe
- Q Bouton pour régler la profondeur de sciage
- R Carter de protection supérieur
- S Levier d'ouverture du carter intérieur
- T Lampe LED
- U Bouton de réglage de l'angle de coupe
- V Indicateur de l'angle de coupe
- W Carter de protection inférieur
- X Surface de serrage
- Y Lame de scie avec denture à mise de carbure
- Z Bride
- AA Boulon de la lame
- AB Bouton de l'indicateur de niveau de batterie
- AC Lame de scie en acier trempé
- AD Disque diamanté

SÉCURITÉ

CONSIGNES DE SÉCURITÉ GÉNÉRALES POUR L'OUTIL ÉLECTRIQUE

⚠ AVERTISSEMENT Lisez toutes les consignes de sécurité, les instructions, les illustrations et les spécifications de sécurité fournies avec cet outil électrique. Le non-respect des consignes figurant ci-dessous peut provoquer un choc électrique, un incendie et/ou des blessures graves.

Conservez tous les avertissements et instructions pour pouvoir vous y référer ultérieurement.

Le terme « outil électrique » utilisé dans les consignes de sécurité désigne votre outil électrique fonctionnant sur secteur (filaire) ou sur batterie (sans fil).

1) SÉCURITÉ DE L'AIRE DE TRAVAIL

- a) **Maintenez l'aire de travail propre et bien éclairée.**
Les endroits sombres ou désordonnés augmentent les risques d'accident.
- b) **N'utilisez pas les outils électriques dans des atmosphères explosives, par exemple en présence de liquides, gaz ou poussières inflammables.** Les outils électriques génèrent des étincelles pouvant enflammer les poussières et les vapeurs.
- c) **Veillez à ce que les enfants et les autres personnes restent éloignés pendant l'utilisation d'un outil électrique.** Un moment d'inattention peut vous faire perdre le contrôle de l'outil.

2) SÉCURITÉ ÉLECTRIQUE

- a) **La fiche de l'outil électrique doit correspondre à la prise électrique.** Ne modifiez jamais la prise de quelque manière que ce soit. N'utilisez jamais d'adaptateur de prise avec les outils électriques pourvus d'une mise à la terre ou à la masse. Les fiches non modifiées et les prises électriques appropriées réduisent le risque de choc électrique.
 - b) **Évitez tout contact physique avec des surfaces mises à la terre ou mises à la masse, telles que tuyaux, radiateurs, fours et réfrigérateurs.** Il y a un risque accru de choc électrique si votre corps est relié à la terre ou à la masse, directement ou indirectement.
 - c) **N'exposez pas les outils électriques à la pluie ou à un environnement mouillé.** Si de l'eau pénètre dans un outil électrique, cela accroît le risque de choc électrique.
 - d) **Prenez soin du câble d'alimentation. N'utilisez jamais le câble d'alimentation pour porter, tirer ou débrancher l'outil électrique.** Veillez à ce que le câble d'alimentation n'entre jamais en contact avec de l'huile, des pièces mobiles, des arêtes tranchantes, et ne soit jamais exposé à de la chaleur. Les câbles d'alimentation endommagés ou emmêlés augmentent le risque de choc électrique.
 - e) **Quand vous utilisez un outil électrique en extérieur, utilisez une rallonge électrique adaptée à un usage en extérieur.** L'utilisation d'une rallonge conçue pour un usage en extérieur permet de réduire le risque de choc électrique.
 - f) **Si vous êtes obligé d'utiliser un outil électrique dans un endroit humide, utilisez une alimentation protégée par un dispositif différentiel à courant résiduel (DDR).** L'utilisation d'un DDR réduit le risque de choc électrique.
- #### 3) SÉCURITÉ DES PERSONNES
- a) **Restez vigilant, soyez attentif à ce que vous faites et faites preuve de bon sens lors de l'utilisation**

d'un outil électrique. N'utilisez pas un outil électrique quand vous êtes fatigué ou sous l'emprise de l'alcool, de stupéfiants ou de médicaments. Un moment d'inattention pendant l'utilisation des outils électriques peut provoquer des blessures corporelles graves.

b) Utilisez des équipements de protection individuelle.

Portez toujours une protection oculaire. L'utilisation d'équipements de protection appropriés aux conditions de travail, tels que masque antipoussières, chaussures de sécurité antidérapantes, casque et protections auditives, permet de réduire les risques de blessures corporelles.

c) Évitez les démarrages accidentels. Vérifiez que l'interrupteur marche/arrêt est dans la position arrêté avant de brancher l'outil dans une prise électrique et/ou une batterie, de le saisir ou de le transporter.

Transporter un outil électrique les doigts sur son interrupteur marche/arrêt ou le brancher dans une alimentation électrique alors que son interrupteur marche/arrêt est dans la position marche favorise les accidents.

d) Retirez toutes les clés de réglage et de serrage avant de mettre l'outil électrique en marche. Une clé de réglage ou de serrage laissée sur une pièce rotative de l'outil électrique peut provoquer des blessures corporelles.

e) N'essayez pas de travailler des endroits difficiles à atteindre. Conservez en permanence des appuis des pieds solides et un bon équilibre. Cela permet un meilleur contrôle de l'outil électrique en cas de situations inattendues.

f) Maintenez vos cheveux et vos vêtements éloignés des pièces mobiles. Les vêtements amples, les bijoux et les cheveux longs peuvent se prendre dans les pièces mobiles.

g) Si un outil est conçu pour être utilisé avec des dispositifs d'extraction et de récupération des poussières, veillez à ce que ces dispositifs soient raccordés et correctement utilisés. L'utilisation de dispositifs de récupération des poussières permet de réduire les risques liés aux poussières.

h) Veillez à ne pas devenir trop sûr de vous et ne cessez pas de respecter les principes de sécurité même si vous vous sentez familiarisé à l'utilisation de l'outil. La négligence peut provoquer des blessures graves en une fraction de seconde.

4) UTILISATION ET ENTRETIEN DE L'OUTIL ÉLECTRIQUE

a) Ne forcez pas l'outil électrique. Utilisez l'outil électrique qui convient au travail que vous voulez effectuer. L'utilisation d'un outil qui convient au travail à effectuer permet de réaliser ce travail plus efficacement, avec une sécurité accrue et au rythme pour lequel l'outil a été conçu.

b) N'utilisez pas l'outil électrique si son interrupteur marche/arrêt ne permet pas de l'allumer et de l'éteindre. Tout outil électrique qui ne peut pas être contrôlé par son interrupteur marche/arrêt est dangereux et doit être réparé.

c) Débranchez le câble de l'alimentation électrique et/ou retirez la batterie, si amovible, de l'outil électrique avant tout réglage ou changement d'accessoire, et avant de ranger l'outil électrique.

Cette mesure de sécurité préventive réduit le risque de démarrage accidentel de l'outil électrique.

d) Rangez les outils électriques non utilisés hors de portée des enfants. N'autorisez pas les personnes non familiarisées avec l'outil électrique ou ce manuel d'utilisation à l'utiliser. Les outils électriques sont dangereux dans les mains de personnes inexpérimentées.

e) Entretenez les outils électriques et les accessoires. Inspectez-les pour vérifier qu'aucune pièce mobile n'est grippée ou mal alignée, qu'aucune pièce n'est cassée, et pour tout autre problème qui pourrait affecter leur fonctionnement. Si un outil électrique est endommagé, il doit être réparé avant d'être réutilisé. Beaucoup d'accidents sont dus à des outils électriques mal entretenus.

f) Veillez à ce que les accessoires de coupe restent affûtés et propres. Des accessoires de coupe bien entretenus et bien affûtés risquent moins de se coincer et sont plus faciles à contrôler.

g) Utilisez l'outil électrique, ses accessoires, mèches/embouts et toutes les autres pièces conformément aux présentes instructions, en prenant en compte les conditions d'utilisation et le travail à effectuer. Utiliser l'outil électrique à d'autres finalités que celles pour lesquelles il a été conçu peut engendrer des situations dangereuses.

h) Maintenez les poignées et surfaces de préhension propres, sèches et exemptes d'huile et de graisse. Les poignées et surfaces de préhension glissantes ne permettent pas de tenir et de contrôler l'outil de manière sûre en cas de situations inattendues.

5) UTILISATION ET ENTRETIEN DE L'OUTIL SUR BATTERIE

a) Rechargez la batterie exclusivement avec le chargeur spécifié par le fabricant. Un chargeur adapté à un type de batterie en particulier peut présenter un risque d'incendie s'il est utilisé avec une batterie différente.

b) Utilisez les outils électriques exclusivement avec les batteries spécifiées. L'utilisation de toute autre batterie peut engendrer un risque de blessures et d'incendie.

c) Quand la batterie n'est pas utilisée, elle doit être rangée à l'écart d'objets métalliques, tels que les trombones, pièces de monnaie, clés, clous, vis et tous les autres petits objets métalliques pouvant mettre en contact ses bornes. Mettre en court-circuit les bornes de la batterie peut provoquer des brûlures et un incendie.

d) En cas d'usage abusif, du liquide peut s'échapper de la batterie. Évitez tout contact avec ce liquide. En cas de contact accidentel, rincez à grande eau. En cas de contact avec les yeux, vous devez en outre consulter un médecin. Le liquide qui s'échappe des batteries peut provoquer des irritations et des brûlures.

e) N'utilisez pas une batterie ou un outil endommagé ou modifié. Les batteries modifiées ou endommagées peuvent avoir un comportement imprévisible provoquant un incendie, une explosion ou un risque de blessure.

f) N'exposez pas la batterie ou l'outil à des flammes ou à une température excessive. L'exposition au feu ou à des températures supérieures à 130 °C peut provoquer une explosion.

- g) **Respectez toutes les instructions de recharge et ne rechargez pas la batterie ou l'outil hors de la plage de température spécifiée dans les instructions.** La recharge incorrecte ou à des températures hors de la plage spécifiée peut endommager la batterie et accroître le risque d'incendie.
- 6) **SERVICE**
- a) **Have your power tool serviced by a qualified repair person using only identical replacement parts.** This will ensure that the safety of the power tool is maintained.
- b) **Never service damaged battery packs.** Service of battery packs should only be performed by the manufacturer or authorized service providers.

CONSIGNES DE SECURITE POUR SCIES CIRCULAIRES

Procédures de coupe

- a) **DANGER : Maintenez les mains éloignées de la zone de coupe et de la lame.** Si vos deux mains tiennent la scie, elles ne peuvent pas être coupées par la lame.
- b) **Ne placez jamais aucune partie de votre corps sous la pièce à scier.** Le carter de protection ne peut pas vous protéger de la lame sous la pièce travaillée.
- c) **Réglez la profondeur de coupe en fonction de l'épaisseur de la pièce à scier.** La hauteur de lame visible sous la pièce à scier doit être inférieure à une dent.
- d) **Ne tenez jamais la pièce dans vos mains ou en travers de votre jambe pendant la coupe. Fixez-la sur une plateforme stable.** Il est important de correctement soutenir la pièce à scier pour minimiser l'exposition du corps de l'opérateur et les risques de pincement de la lame et de perte de contrôle.
- e) **Tenez l'outil électrique par les surfaces de préhension isolées lorsque vous effectuez une opération où l'outil de coupe peut entrer en contact avec des fils dissimulés.** Si les lames entrent en contact avec un fil électrique sous tension, les parties métalliques non carénées de l'outil électrique peuvent se retrouver sous tension électrique et l'opérateur risque de subir un choc électrique.
- f) **Pour les sciages en long, utilisez toujours un guide de refente ou un rail de guidage.** Cela permet d'accroître la précision des coupes et de réduire le risque de pincement de la lame.
- g) **Utilisez toujours des lames dont la taille et la forme de l'alésage (diamant ou rond) sont appropriées.** Si la lame n'est pas adaptée au support de fixation de la scie, elle va s'excentrer et provoquer la perte de contrôle de l'outil.
- h) **N'utilisez jamais de boulons ni de rondelles de lame endommagés ou inappropriés.** Les brides et le boulon de lame sont conçus spécifiquement pour votre scie afin d'assurer des performances optimales et la sécurité d'utilisation.

Causes des rebonds et mises en garde correspondantes

- Un rebond est une réaction soudaine provoquée par une lame mal alignée, pincée ou coincée qui projette

la scie de manière incontrôlée vers le haut, hors de la pièce usinée et vers l'opérateur.

- Quand la lame est pincée ou coincée fortement parce que la ligne de coupe se referme, elle se bloque et la réaction du moteur projette violemment l'outil en arrière vers l'opérateur.
- Si la lame est courbée ou mal alignée dans la coupe, les dents arrière de la lame peuvent se planter dans la surface supérieure du bois, ce qui projette la lame vers le haut, hors de la ligne de coupe et en arrière vers l'opérateur.

Les rebonds résultent d'une mauvaise utilisation de la scie et/ou de procédures d'utilisation incorrectes et/ou de conditions d'utilisation inadéquates. Il est possible de les éviter en prenant les précautions appropriées indiquées ci-après.

- a) **Tenez fermement la scie et positionnez vos bras de façon à pouvoir résister aux forces d'un rebond. Positionnez votre corps décalé sur l'un des côtés de la lame et non dans l'alignement de celle-ci.** Un rebond peut projeter violemment la scie en arrière, mais les forces d'un rebond peuvent être contrôlées par l'opérateur si les précautions appropriées ont été prises.
- b) **Si la lame se coince ou si vous arrêtez une coupe pour quelque raison que ce soit, relâchez l'interrupteur marche/arrêt et maintenez la scie immobile dans le matériau jusqu'à ce que la lame se soit complètement arrêtée.** N'essayez jamais de retirer la scie de la pièce usinée ou de la tirer en arrière quand la lame est en rotation ou qu'un rebond peut se produire. Cherchez la cause du blocage de la lame et prenez des mesures correctrices pour en éliminer la cause.
- c) **Quand vous redémarrez la scie dans la pièce, centrez la lame de la scie dans la ligne de coupe de façon à ce que ses dents ne soient pas engagées dans le matériau.** Si la lame est coincée, elle peut se déplacer vers le haut ou rebondir hors de la pièce usinée quand vous redémarrez la scie.
- d) **Les grands panneaux doivent être soutenus pour minimiser le risque de pincement de la lame et de rebond.** Les grands panneaux ont tendance à s'affaisser sous leur propre poids. Il faut donc placer des supports sous ces panneaux près de leurs bords et de chaque côté de la ligne de coupe, près d'elle.
- e) **N'utilisez pas de lame émoussée ou endommagée.** Les lames émoussées ou incorrectement assemblées produisent une ligne de coupe étroite, ce qui provoque des frictions excessives et favorise le pincement de la lame et les rebonds.
- f) **Avant de commencer une coupe, veillez à bien serrer les leviers de verrouillage des réglages de la profondeur de coupe et du biseau.** Si le réglage de la lame change pendant la coupe, elle risque de se coincer et de provoquer un rebond.
- g) **Redoublez de prudence lors du sciage dans des murs existants ou d'autres zones aveugles.** La partie saillante de la lame peut couper des objets pouvant provoquer des rebonds.

Fonctionnement du carter inférieur

- a) **Avant chaque utilisation, vérifiez que le carter**

de protection inférieur se ferme correctement. N'utilisez pas la scie si le carter de protection inférieur ne peut pas bouger librement et se fermer instantanément. Ne fixez jamais et n'attachez jamais le carter de protection inférieur en position ouverte. Si la scie tombe accidentellement, le carter de protection inférieur peut être déformé. Relevez le carter de protection inférieur à l'aide de sa poignée de rétractation, vérifiez qu'il peut bouger librement et qu'il ne touche ni la lame ni aucune autre pièce, cela dans tous les angles et à toutes les profondeurs de coupe.

- b) Contrôlez le fonctionnement du ressort du carter de protection inférieur.** Si le ressort et le carter de protection ne fonctionnent pas normalement, vous devez les faire réparer avant d'utiliser la scie. Le fonctionnement du carter de protection inférieur peut être altéré par des pièces endommagées, des dépôts collants ou l'accumulation de débris.
- c) Le carter de protection inférieur ne peut être relevé manuellement que pour certaines coupes spéciales, telles que les « coupes plongeantes » et les « coupes composées ».** Relevez le carter de protection inférieur en rétractant son levier et relâchez-le impérativement dès que la lame pénètre dans le matériau. Pour toutes les autres coupes, vous devez laisser le carter de protection inférieur fonctionner automatiquement.
- d) Vérifiez toujours que le carter de protection inférieur recouvre la lame avant de poser la scie sur un établi ou sur le sol.** Une lame non protégée entraînée par son inertie provoquera le recul de la scie, qui coupera tout ce qui se trouvera sur son passage. Soyez conscient qu'après avoir relâché l'interrupteur marche/arrêt, il faut un certain temps avant que la lame s'arrête complètement.

AVERTISSEMENTS DE SECURITE SUPPLEMENTAIRES

GENERALITES

- Cet outil ne doit pas être utilisé par des personnes de moins de 16 ans
- Cet outil ne convient pas pour couper à mouillage
- Ne travaillez pas avec des matériaux contenant de l'amiante (l'amiante est considéré cancérigène)**
- La poussière de matériaux, tels que la peinture contenant du plomb, certaines espèces de bois, certains minéraux et métaux, peut être nocive (le contact avec la poussière ou son inhalation peut provoquer des réactions allergiques et/ou des maladies respiratoires chez l'opérateur ou les personnes à proximité); **portez un masque antipoussières et travaillez si possible avec un dispositif d'extraction des poussières**
- Certains types de poussières sont classées comme étant cancérigènes (tels que la poussière de chêne ou de hêtre), en particulier en combinaison avec des additifs de traitement du bois; **portez un masque antipoussières et travaillez si possible avec un dispositif d'extraction des poussières**
- Suivez les directives nationales relatives au dépeussierage pour les matériaux à travailler
- N'utilisez pas cette scie avec une table de sciage
- Retirez la batterie de l'outil avant d'effectuer des réglages ou de changer d'accessoire

ACCESSOIRES

- SKIL ne peut se porter garant du bon fonctionnement de cet outil que s'il a été utilisé avec les accessoires d'origine
- N'utilisez que des lames de scie qui correspondent aux caractéristiques techniques indiquées dans le présent mode d'emploi et qui sont marquées conformément à la norme EN 847-1, si elles sont prévues pour du bois et des matériaux similaires.
- La vitesse admissible des accessoires utilisées doit être au moins aussi élevée que la vitesse à vide maximale de l'outil
- Utilisez uniquement des lames de scie/disques à tronçonner d'un diamètre minimum de 115 mm, d'un diamètre maximum de 120 mm et dont l'alésage de broche est de 9,5 mm**
- Ne jamais utilisez de disques de meulage avec cet outil
- Traitez et stockez les accessoires avec précaution
- Identifiez quelle lame de scie utiliser pour le matériau à couper.

AVANT L'USAGE

- Faites attention aux vis, clous ou autres éléments qui pourraient se trouver dans la pièce à travailler et qui risqueraient d'endommager très fortement votre outil; enlevez-les avant de commencer le travail
- Enlevez tout corps étranger du tracé avant d'effectuer toute coupe
- Fixez solidement la pièce** (une pièce fixée à l'aide de dispositifs de fixation ou d'un étau est mieux maintenue qu'à la main)
- Utilisez des détecteurs appropriés afin de localiser les conduites dissimulées ou bien adressez-vous à votre fournisseur local** (un contact avec des lignes électriques peut provoquer un incendie ou une décharge électrique ; endommager une conduite de gaz peut entraîner une explosion ; endommager une conduite d'eau peut entraîner des dégâts matériels ou une décharge électrique)

PENDANT L'USAGE

- Le niveau sonore en fonctionnement peut dépasser 85 dB(A); munissez-vous de casques anti-bruit
- Ne jamais utilisez votre outil sans le guide de sécurité d'origine
- Ne jamais tentez de couper de trop fines pièces
- Ne jamais travaillez au-dessus de l'outil
- En cas de blocage, de dysfonctionnement électrique ou mécanique, éteignez immédiatement l'outil et retirez-en la batterie

APRES L'USAGE

- Lorsque vous rangez votre outil, le moteur doit être coupé et les pièces mobiles complètement arrêtées
- Après avoir coupé la mise en marche de votre scie circulaire, ne jamais arrêtez la rotation de la lame de scie par une force latérale appliquée contre elle

BATTERIE

- La batterie fournie est partiellement chargée (pour garantir la capacité totale de la batterie, chargez-la intégralement dans le chargeur de batterie avant d'utiliser l'outil électrique pour la première fois).
- Utilisez uniquement les batteries et les chargeurs suivants avec l'outil
 - Batterie SKIL : BR1*31****
 - Chargeur SKIL : CR1*31****
- N'utilisez pas la batterie lorsque celle-ci est endommagée ; remplacez-la
- Ne démontez pas la batterie

- N'exposez jamais l'outil/la batterie à la pluie
- Plage de températures autorisées (outil/chargeur/batterie):
 - pendant la charge 4...40°C
 - pendant le fonctionnement -20...+50°C
 - pour le stockage -20...+50°C

EXPLICATION DES SYMBOLES SUR L'OUTIL/LA BATTERIE

- ③ Veuillez lire le mode d'emploi avant d'utiliser l'outil
- ④ La batterie explosera si elle est jetée au feu - ne la brûlez en aucun cas
- ⑤ Rangez l'outil/le chargeur/la batterie dans des endroits où la température n'excède pas 50°C
- ⑥ Ne jetez pas les outils électriques et les piles dans les ordures ménagères

UTILISATION

- Chargement de la batterie
 - ! lisez les avertissements de sécurité et les instructions fournies avec le chargeur
- Retirer/installer la batterie ②
- Indicateur de niveau de charge de la batterie ⑦
 - appuyez sur le bouton indicateur de niveau de charge de la batterie AB pour afficher le niveau de charge actuel ⑦a
 - ! si le niveau le plus bas de l'indicateur de batterie se met à clignoter après appui sur le bouton AB ⑦b, la batterie est vide
 - ! si 2 niveaux de l'indicateur de batterie se mettent à clignoter après appui sur le bouton AB ⑦c, la batterie n'est pas dans la plage de température de fonctionnement autorisée
- Éclairage LED T ⑧
 - La lumière LED s'allume automatiquement lorsque l'outil démarre
 - ! lorsque le voyant LED commence à clignoter, la protection de la batterie est activée (voir ci-dessous)
- Protection de la batterie
 - L'outil est soudainement mis hors tension ou la mise sous tension est empêchée lorsque
 - la charge est trop élevée --> retirez la charge et redémarrez l'outil
 - la température de la batterie est hors de la plage de températures de fonctionnement autorisée de -20 à +50°C --> 2 niveaux de l'indicateur de niveau de charge de la batterie se mettent à clignoter lorsque vous appuyez sur le bouton AB 7c ; attendez que la batterie soit revenue dans la plage de température de fonctionnement autorisée
 - la batterie est presque déchargée (pour empêcher qu'elle ne se décharge complètement) --> un niveau de batterie faible ou un niveau de batterie clignotant ub apparaît sur l'indicateur de charge de la batterie lorsque vous appuyez sur le bouton AB ; chargez la batterie
 - ! ne continuez pas à appuyer sur l'interrupteur marche/arrêt après l'arrêt automatique de l'outil ; cela pourrait endommager la batterie
- Montage de la lame de scie ②
 - ! retirez la batterie de l'outil
 - retirez la clé six pans A de son logement B
 - appuyez sur le bouton de blocage de l'arbre F et

- maintenez-le tandis que vous enlevez le boulon de la lame AA en faisant tourner la clé six pans A DANS LE SENS DES AIGUILLES D'UNE MONTRE (= dans le même sens que la flèche indiquée sur la lame de scie)
- ! appuyez sur le bouton de blocage de l'arbre F uniquement lorsque l'outil est complètement arrêté
- relâchez le bouton de blocage de l'arbre F
- enlevez la bride Z
- ! assurez-vous que les surfaces de serrage X des brides soient parfaitement propres et en face de la lame
- ouvrez le carter inférieur W avec le levier S et maintenez-le tandis que vous montez la lame, les dents de scie et la flèche imprimée sur la lame pointée dans la même direction que la flèche située sur le carter supérieur
- relâchez le carter inférieur W
- montez la bride Z
- appuyez sur le bouton de blocage de l'arbre F et maintenez-le tandis que vous serrez le boulon de la lame avec la clé hexagonale d'un 1/8ème de tour en arrière (permet le débrayage de la lame en cas de trop forte résistance du matériau permettant ainsi de réduire la surcharge du moteur et l'effet de recul)
- relâchez le bouton de blocage de l'arbre F
- Réglage de la profondeur de coupe (0-41 mm) ⑨
 - pour une qualité parfaite de coupe, la lame de scie ne doit jamais dépasser de plus de 3 mm la pièce à travailler
 - desserrez le bouton Q
 - levez/abaissez la semelle M jusqu'à la profondeur de coupe souhaitée grâce à l'indicateur P de l'échelle graduée
 - serrez le bouton Q
- Réglage de l'angle de coupe (0-45°) ⑩
 - desserrez le bouton U
 - inclinez l'outil jusqu'à ce que l'angle de coupe souhaité soit atteint grâce à l'indicateur V de l'échelle graduée
 - serrez le bouton U
 - ! lors d'une coupe d'angle, la profondeur de coupe ne correspond pas à la valeur donnée par l'échelle de la profondeur de coupe
- Indicateur de la ligne de coupe L ⑪
 - pour guider l'outil le long du tracé souhaité
 - pour une coupe rectiligne de 0° ou une coupe d'angle de 45°, utilisez l'indicateur correspondant
 - ! la partie la plus large de la semelle doit rester sur la partie la plus large de la pièce
 - ! seule l'épaisseur des dents de la lame détermine la largeur de coupe
 - ! effectuez toujours un essai préalable afin de vérifier la ligne de coupe
- Aspiration de poussières ⑫
 - En cas d'utilisation d'un aspirateur
 - Connectez le tuyau de l'aspirateur à l'adaptateur de l'aspirateur H
 - ! ne laissez jamais le tuyau de l'aspirateur gêner le carter inférieur ou l'opération de coupe
 - ! N'utilisez pas l'aspirateur quand vous coupez des métaux
- Utilisation de l'outil
 - installez la batterie

- tenez toujours fermement la poignée C
- posez l'outil avec le devant de la semelle bien à plat sur la pièce à travailler

! assurez-vous que les dents de la lame n'entrent pas dans la pièce

- mettez en marche l'outil en appuyant d'abord sur le bouton E (= interrupteur de sécurité qu'on ne peut pas bloquer) puis en poussant la gâchette D

! l'outil devra tourner à la vitesse maximum avant que la lame n'entre dans la pièce

- le carter inférieur W s'ouvre automatiquement quand la lame entre dans la pièce (ouvrez le carter inférieur manuellement en utilisant le levier S uniquement pour des coupes spéciales telles que des coupes plongeantes)

! ne forcez pas l'outil (appliquez une pression légère et constante afin d'éviter la surchauffe des pointes de lame)

! lorsque vous travaillez, tenez toujours l'outil par la ou les zone(s) de préhension

- une fois la coupe terminée, arrêtez l'outil en relâchant la gâchette D

! Avant de retirer l'outil de la pièce à travailler, assurez-vous que la lame se soit bien stabilisée.

CONSEILS D'UTILISATION

- La partie visible de la pièce doit être sur le dessous pour assurer un minimum d'éclats lors du sciage du bois ou de matériaux similaires.
- Les performances de sciage et la qualité de la coupe dépendent essentiellement de l'état et du nombre de dents de la lame de scie.
- N'utilisez que des lames de scie bien affûtées et adaptées au matériau à couper ⁽¹³⁾
 - utilisez une lame de scie en acier trempé AC ⁽²⁾ pour couper du bois, de l'aluminium, du plastique et toutes sortes de panneaux stratifiés
 - utilisez un disque diamanté AD ⁽²⁾ pour couper la céramique et les dalles
 - les lames avec denture à mise de carbure Y ⁽²⁾ coupent 30 fois plus longtemps que des lames ordinaires
- Guide parallèle J ⁽¹⁴⁾
 - pour effectuer des coupes de précision le long d'un bord d'une pièce à travailler
 - insérer dans les fentes de l'extrémité avant de la semelle

Réglage du guide parallèle

- Idesserrez la vis K à l'aide de la clé hexagonale A
- réglez à la largeur de coupe souhaitée à l'aide de l'échelle du guide parallèle (utilisez l'indicateur de ligne de coupe L comme référence 0)
- serrez la vis K
- Coupe plongeante ⁽¹⁵⁾
- réglez la profondeur de coupe souhaitée
- inclinez l'outil vers l'avant avec l'indicateur de ligne de coupe L aligné avec la ligne de coupe souhaitée marquée sur la pièce
- ouvrez le carter inférieur W avec le levier S
- juste avant que la lame ne pénètre dans la pièce à travailler, enclenchez l'interrupteur et pénétrez progressivement en prenant pour appui l'avant de la semelle
- déplacez l'outil progressivement vers l'avant et vers

le bas

- dès que la lame entre dans le matériau, relâchez le levier S

! ne jamais tirez l'outil vers l'arrière

- Coupe de larges panneaux ⁽¹⁶⁾
 - placez le panneau sur des cales soit au sol, sur un établi ou une table
- ! réglez la profondeur de coupe pour éviter de couper le support de travail**
 - dans le cas où le guide parallèle ne permettrait pas de régler la largeur de coupe, fixez une règle à la pièce à travailler pour servir de guide et utilisez le côté gauche de la semelle contre ce guide ⁽¹⁷⁾
- Pour plus d'informations, voir www.skil.com

ENTRETIEN / RÉPARATION

- Cet outil n'est pas conçu pour un usage professionnel
- Maintenez toujours l'outil propre (surtout les fentes de ventilation N)
 - ! retirez la batterie de l'outil avant de procéder au nettoyage**
- Gardez toujours la zone autour du carter inférieur W ⁽²⁾ propre (enlevez la poussière et les copeaux en les nettoyant à l'air comprimé ou avec une brosse)
- Toujours nettoyez la lame de scie après toute utilisation (tout particulièrement dans le cas d'utilisation de résine)
- Si, malgré tous les soins apportés à la fabrication et au contrôle de l'outil, celui-ci devait avoir un défaut, la réparation ne doit être confiée qu'à une station de service après-vente agréée pour outillage SKIL
 - retournez l'outil non démonté avec votre preuve d'achat auprès du revendeur ou du service après-vente SKIL le plus proche (les adresses ainsi que la vue éclatée de l'outil figurent sur www.skil.com)
- Veuillez noter que tout dégât causé par une surcharge ou une mauvaise utilisation de l'outil ne sera pas couvert par la garantie (pour connaître les conditions de la garantie SKIL, surfez sur www.skil.com ou adressez-vous à votre revendeur)

ENVIRONNEMENT

- Ne jetez pas les outils électriques, les piles, les accessoires et l'emballage dans les ordures ménagères (pour les pays européens uniquement)
 - conformément à la directive européenne 2012/19/EG relative aux déchets d'équipements électriques ou électroniques, et à sa transposition dans la législation nationale, les outils électriques usés doivent être collectés séparément et faire l'objet d'un recyclage respectueux de l'environnement
 - le symbole ⁽⁶⁾ vous le rappellera au moment de la mise au rebut de l'outil
- ! avant d'envoyer les batteries au recyclage, pour éviter un éventuel court-circuit, il convient de revêtir les bornes d'un épais ruban adhésif isolant**



FR

Cet appareil,
ses accessoires,
batterie et chargeur
se recyclent

A DÉPOSER
EN MAGASINA DÉPOSER
EN DÉCHÈTRIE

OU

Points de collecte sur www.quefairedemesdechets.fr

BRUIT / VIBRATION

- Measured in accordance with EN 62841 the sound pressure level of this tool is 96 dB(A) and the sound power level 107 dB(A) (uncertainty K = 3 dB), and the vibration \star (triax vector sum; uncertainty K = 1.5 m/s²)
 - \star cutting wood < 2.5 m/s²
 - \star cutting metal < 2.5 m/s²
 - Le niveau de vibrations émises a été mesuré conformément à l'essai normalisé de la norme EN 62841; il peut être utilisé pour comparer plusieurs outils et pour réaliser une évaluation préliminaire de l'exposition aux vibrations lors de l'utilisation de l'outil pour les applications mentionnées
 - l'utilisation de l'outil dans d'autres applications, ou avec des accessoires différents ou mal entretenus, peut considérablement augmenter le niveau d'exposition
 - la mise hors tension de l'outil et sa non-utilisation pendant qu'il est allumé peuvent considérablement réduire le niveau d'exposition
- ! protégez-vous contre les effets des vibrations par un entretien correct de l'outil et de ses accessoires, en gardant vos mains chaudes et en organisant vos horaires de travail**

D

Bürstenlose Akku-Handkreissäge

3540

EINLEITUNG

- Dieses Werkzeug ist zum Herstellen von Längs- und Querschnitten in Holz, Spanplatten, Sperrholz, Aluminium, Fliesen, Stein, Kunststoff und Leichtbaumaterialien anhand gerader Schnitte sowie Winkelschnitte bis 45° vorgesehen
- Für den gewerblichen Einsatz ist das Gerät nicht geeignet.
- Lesen Sie diese Bedienungsanleitung und heben Sie sie auf.③

TECHNISCHE DATEN ①

WERKZEUGKOMPONENTEN ②

- A Sechskantschlüssel
- B Halterung für Sechskantschlüssel
- C Griff
- D Ein-/Ausschalter
- E Sicherheitsschalter
- F Spindelarretierschalter
- G Stutzen für Staubabsaugung
- H Staubsaugeranschluss
- J Parallel guide
- K Schraube zum Einstellen des Parallelanschlages

- L Sichtkeil
- M Fußplatte
- N Lüftungsschlitze
- P Schnitttiefe-Anzeiger
- Q Sägetiefe-Einstellknopf
- R Obere Schutzhaube
- S Hebel zur Öffnung des unteren Blattschutzes
- T LED-Lampe
- U Knopf zur Einstellung des Schnittwinkels
- V Schnittwinkelanzeiger
- W Untere Schutzhaube
- X Spannfläche
- Y Hartmetall-Sägeblatt
- Z Flansch
- AA Klingenbolzen
- AB Taster für Akkuladeanzeige
- AC Sägeblatt aus gehärtetem Stahl
- AD Diamantscheibe

SICHERHEIT

ALLGEMEINE SICHERHEITSHINWEISE ZU ELEKTROWERKZEUGEN

⚠ WARNUNG Beachten Sie alle Warnhinweise, Anweisungen, Abbildungen und technischen Daten, die diesem Elektrowerkzeug beigefügt sind. Die Nichtbeachtung der unten aufgeführten Anweisungen kann zu Stromschlägen, Bränden und/oder schweren Verletzungen führen.

Bewahren Sie alle Warn- und Bedienungshinweise für Nachschlagezwecke auf.

Unter den Begriff „Elektrowerkzeug“ in den Warnhinweisen fallen netzbetriebene (d. h. kabelgebundene) oder akkubetriebene (d. h. kabellose) Elektrowerkzeuge.

1) SICHERHEIT IM ARBEITSBEREICH

- a) Halten Sie den Arbeitsbereich stets sauber und gut beleuchtet. Anwerkräume oder dunkle Bereiche können Unfälle provozieren.
- b) Verwenden Sie Elektrowerkzeuge nicht in explosionsgefährdeten Umgebungen wie z. B. in Gegenwart von entzündlichen Flüssigkeiten, Gasen oder Staub. Elektrowerkzeuge erzeugen Funken, die Staub oder Dämpfe entzünden können.
- c) Halten Sie Schulstige und Kinder fern, während Sie das Elektrowerkzeug einsetzen. Ablenkungen können dazu führen, dass Sie die Kontrolle verlieren.

2) ELEKTRISCHE SICHERHEIT

- a) Die Netzstecker der Elektrowerkzeuge müssen in die Steckdosen passen. Der Netzstecker darf unter keinen Umständen modifiziert werden. Verwenden Sie keine Adapterstecker an geerdeten Elektrowerkzeugen. Nicht modifizierte Stecker und passende Steckdosen reduzieren die Stromschlaggefahr.
- b) Vermeiden Sie den Körperkontakt zu geerdeten Flächen wie zum Beispiel Rohrleitungen, Heizkörpern, Herden und Kühlschränken. Es besteht erhöhte Stromschlaggefahr, wenn Ihr Körper geerdet ist.
- c) Schützen Sie Elektrowerkzeuge vor Regen oder feuchten Bedingungen. Wenn Wasser in das Elektrowerkzeug

- eingringt, besteht erhöhte Stromschlaggefahr.
- d) Das Kabel darf nicht zweckentfremdet werden. Das Netzkabel darf nicht zum Tragen, Ziehen oder Herausziehen des Elektrowerkzeugs aus der Steckdose verwendet werden. Das Netzkabel muss vor Hitze, Öl, scharfen Kanten oder beweglichen Teilen ferngehalten werden. Durch beschädigte oder verknotete Kabel besteht erhöhte Stromschlaggefahr.
 - e) Wenn Sie ein Elektrowerkzeug im Freien benutzen, verwenden Sie ein Verlängerungskabel, das für den Gebrauch im Freien geeignet ist. Die Stromschlaggefahr verringert sich bei Gebrauch eines Netzkabels, das für den Einsatz im Freien geeignet ist.
 - f) Wenn der Gebrauch eines Elektrowerkzeuges an einem feuchten Ort unvermeidbar ist, benutzen Sie eine durch eine Fehlerstromschutzeinrichtung (FI-Schalter) geschützte Stromquelle. Die Verwendung einer Fehlerstromschutzeinrichtung reduziert die Stromschlaggefahr.
- 3) PERSONENSICHERHEIT**
- a) Seien Sie wachsam, geben Sie darauf Acht, was Sie tun, und benutzen Sie Ihren gesunden Menschenverstand, wenn Sie ein Elektrowerkzeug verwenden. Betreiben Sie das Gerät nicht, wenn Sie müde oder unter dem Einfluss von Drogen, Alkohol oder Medikamenten stehen. Ein Moment der Unachtsamkeit kann beim Gebrauch eines Elektrowerkzeugs zu ernsthaften Verletzungen führen.
 - b) Tragen Sie eine persönliche Schutzausrüstung. Tragen Sie immer einen Augenschutz. Durch eine für die jeweiligen Bedingungen geeignete Schutzausrüstung wie etwa eine Staubschutzmaske, rutschfeste Schuhe, Helm oder Gehörschutz lässt sich die Verletzungsgefahr verringern.
 - c) Ungewollten Anlauf verhindern. Vor dem Anschließen an eine Steckdose und/oder einen Akku und vor dem Aufnehmen oder Transportieren des Geräts immer kontrollieren, ob der Hauptschalter in ausgeschalteter Position ist. Unfälle sind vorprogrammiert, wenn Sie Elektrowerkzeuge mit einem Finger am Netzschalter tragen oder Elektrowerkzeuge mit eingeschaltetem Netzschalter an eine Steckdose anschließen.
 - d) Entfernen Sie alle Einstellschlüssel oder Schraubenschlüssel, bevor Sie das Elektrowerkzeug einschalten. Ein Schraubenschlüssel oder ein Schlüssel, der noch an einem beweglichen Teil des Elektrowerkzeuges befestigt ist, kann Verletzungen hervorrufen.
 - e) Nicht überstrecken. Achten Sie stets auf einen festen Stand und halten Sie das Gleichgewicht. Dies ermöglicht in unerwarteten Situationen eine bessere Kontrolle über das Elektrowerkzeug.
 - f) Halten Sie Ihr Haar und Ihre Kleidung von den beweglichen Teilen fern. Weite Kleidung, Schmuck oder langes Haar können sich in den beweglichen Teilen verfangen.
 - g) Wenn Komponenten zum Anschluss an eine Absauganlage und an Auffangvorrichtungen mitgeliefert werden, achten Sie darauf, dass diese ordnungsgemäß befestigt und benutzt werden. Die Verwendung einer Staubauffangvorrichtung kann Gefahren durch Staub reduzieren.
 - h) Lassen Sie sich nicht durch die aufgrund häufiger Benutzung entstandene Vertrautheit mit Werkzeugen

dazu verleiten, unachtsam zu werden und die für Werkzeuge geltenden Sicherheitsgrundsätze zu ignorieren. Eine fahrlässige Handlung kann bereits im Bruchteil einer Sekunde zu schweren Verletzungen führen.

4) GEBRAUCH UND PFLEGE DES ELEKTROWERKZEUGS

- a) Üben Sie keinen übermäßigen Druck auf das Elektrowerkzeug aus. Verwenden Sie ein geeignetes Elektrowerkzeug für die jeweiligen Arbeiten. Durch das passende Elektrowerkzeug lassen sich die Arbeiten besser und sicherer in dem jeweils vorgesehenen Tempo erledigen.
 - b) Verwenden Sie das Elektrowerkzeug nicht, wenn es sich mit dem Schalter weder ein- noch ausschalten lässt. Ein Elektrowerkzeug, das sich über den Schalter nicht betätigen lässt, ist gefährlich und muss repariert werden.
 - c) Ziehen Sie den Netzstecker aus der Steckdose bzw. nehmen Sie den Akku vom Elektrowerkzeug ab, sofern dieser entfernbar ist, bevor Sie Einstellungen vornehmen, das Zubehör wechseln oder das Elektrowerkzeug verstauen. Solche vorsorglichen Sicherheitsmaßnahmen verringern die Gefahr, dass sich das Elektrowerkzeug unbeabsichtigt einschaltet.
 - d) Bewahren Sie nicht benutzte Elektrowerkzeuge außerhalb der Reichweite von Kindern auf und verbieten Sie Personen die Gerätebenutzung, die das Elektrowerkzeug oder diese Anweisungen nicht kennen. In den Händen nicht eingewiesener Benutzer stellen Elektrowerkzeuge eine große Gefahr dar.
 - e) Warten Sie Elektrowerkzeuge und Zubehörteile. Achten Sie auf falsch ausgerichtete oder fest sitzende bewegliche Teile, Bruchstellen und sonstige Umstände, die die Funktion des Elektrowerkzeuges beeinträchtigen können. Lassen Sie beschädigte Elektrowerkzeuge reparieren, bevor Sie sie wieder einsetzen. Viele Unfälle entstehen durch schlecht gewartete Elektrowerkzeuge.
 - f) Halten Sie Schneidwerkzeuge scharf und sauber. Sachgemäß gewartete Schneidwerkzeuge mit scharfen Schneiden neigen weniger zum Festfahren und sind leichter zu kontrollieren.
 - g) Benutzen Sie das Elektrowerkzeug, Zubehör, Werkzeugeinsätze usw. gemäß diesen Anweisungen und berücksichtigen Sie dabei die Arbeitsbedingungen und die auszuführenden Arbeiten. Die Verwendung des Elektrowerkzeugs für Aufgaben, die von seinem bestimmungsgemäßen Zweck abweichen, können zu gefährlichen Situationen führen.
 - h) Halten Sie die Griffe und Griffflächen trocken, sauber und frei von Öl und Fett. Rutschige Griffe und Griffflächen beeinträchtigen die sichere Handhabung des Werkzeugs und führen in unerwarteten Situationen zum Verlust der Kontrolle über das Werkzeug.
- 5) BENUTZUNG UND PFLEGE VON AKKUGERÄTEN**
- a) Laden Sie den Akku nur mit dem vom Hersteller vorgegebenen Ladegerät auf. Ein Ladegerät, das für einen bestimmten Akkutyp geeignet ist, kann bei der Benutzung eines anderen Akkus zu einer Brandgefahr werden.
 - b) Benutzen Sie für die Elektrowerkzeuge nur die jeweils zugehörigen Akkus. Bei Verwendung anderer Akkus besteht Verletzungs- und Brandgefahr.
 - c) Wenn der Akku nicht benutzt wird, halten Sie ihn von

anderen metallischen Gegenständen fern, wie etwa Büroklammern, Münzen, Schlüssel, Nägel, Schrauben oder anderen kleinen Metallgegenständen, die eine Verbindung zwischen den Polen herstellen können. Das Kurzschließen der Pole kann Verbrennungen oder Brände verursachen.

- d) Bei unsachgemäßer Anwendung kann Flüssigkeit aus dem Akku austreten; Kontakt vermeiden. Falls Sie versehentlich mit Akkusäure in Berührung gekommen sind, spülen Sie die Stelle mit Wasser. Falls Akkusäure in die Augen geraten ist, suchen Sie zudem einen Arzt auf. Aus dem Akku austretende Flüssigkeit kann Reizungen oder Verätzungen verursachen.
- e) Benutzen Sie keinen Akku oder ein Werkzeug, das beschädigt oder umgebaut wurde. Beschädigte oder umgebaute Akkus können sich unvorhergesehen verhalten, wodurch möglicherweise ein Brand, eine Explosion oder Verletzungen verursacht werden.
- f) Akkus oder Werkzeuge vor Feuer oder extremen Temperaturen schützen. Feuer oder Temperaturen über 130 °C können eine Explosion verursachen.
- g) Befolgen Sie alle Ladeanweisungen und laden Sie den Akku oder das Werkzeug nicht außerhalb des Temperaturbereichs auf, der in der Anleitung angegeben ist. Das unsachgemäße Aufladen oder Laden außerhalb des angegebenen Temperaturbereichs kann den Akku beschädigen und die Brandgefahr erhöhen.
- 6) SERVICE**
- a) **Have your power tool serviced by a qualified repair person using only identical replacement parts.** This will ensure that the safety of the power tool is maintained.
- b) **Never service damaged battery packs.** Service of battery packs should only be performed by the manufacturer or authorized service providers.

SICHERHEITSHINWEISE FÜR KREISSÄGEN

Sägen

- a) **VORSICHT:** Halten Sie die Hände vom Sägebereich und vom Sägeblatt fern. Wenn beide Hände zum Festhalten der Säge benutzt werden, können sie vom Sägeblatt nicht erfasst werden.
- b) Greifen Sie nicht unter das Werkstück. Unterhalb des Werkstücks bietet Ihnen die Schutzhaube keinerlei Schutz.
- c) Passen Sie die Schnitttiefe an die Dicke des Werkstücks an. Unterhalb des Werkstücks sollte weniger als eine ganze Zahnhöhe des Sägeblatts zu sehen sein.
- d) Halten Sie das Werkstück beim Schneiden niemals in den Händen oder legen Sie es auf Ihr Bein. Spannen Sie das Werkstück auf einer stabilen Platte ein. Eine gute Abstützung des Werkstücks ist wichtig, um die Gefährdung des eigenen Körpers möglichst gering zu halten und ein Verkannten des Sägeblatts oder einen Verlust der Werkzeugkontrolle zu vermeiden.
- e) Halten Sie Elektrowerkzeuge an den isolierten Griffflächen fest, wenn Sie Arbeiten ausführen, bei denen das Schneidwerkzeug auf verborgene Kabel treffen kann. Bei Kontakt mit einem Strom führenden Kabel leiten die blanken Metallteile des Elektrowerkzeugs ebenfalls

Strom, sodass für den Bediener Stromschlaggefahr besteht.

- f) Arbeiten Sie beim Längsschnitt immer mit einem Parallelanschlag oder einer Linealleiste. Der Schnitt wird dadurch präziser und das Sägeblatt kann nicht so schnell verkanten.
- g) Verwenden Sie immer Sägeblätter mit der richtigen Bohrungsgröße und Form (rautenförmig oder rund). Passt das Sägeblatt nicht zur Montageaufnahme, bewegt sich die Säge außermittig sodass das Werkzeug außer Kontrolle gerät.
- h) Verwenden Sie niemals beschädigte oder falsche Unterlegscheiben oder Schrauben für die Sägeblätter. Die Sägeblatt-Scheiben und Schraube sind speziell für diese Säge vorgesehen und sorgen für eine optimale Leistung und Betriebssicherheit.

Ursachen für Rückstöße und diesbezügliche Warnhinweise

- Ein Rückstoß ist eine plötzliche Reaktion auf ein eingeklemmtes, festsitzendes oder verkantetes Sägeblatt. Eine unkontrollierte Säge kann sich dadurch nach oben aus dem Werkstück herausarbeiten und in Richtung des Bedieners schnellen.
- Wird das Sägeblatt von dem sich nach unten verjüngenden Einschnitt eingeklemmt oder erfasst, hält das Sägeblatt an und der Antriebsmotor fährt die Maschine mit hoher Geschwindigkeit rückwärts in Richtung des Bedieners.
- Wird das Sägeblatt im Schnitt verbogen oder verdreht, können die Zähne an der Hinterkante des Sägeblatts in der Oberfläche des Holzstücks verkannten, sodass das Sägeblatt aus der Fuge herauswandert und in Bediennrichtung herausspringt.

Ein Rückstoß ist die Folge eines unsachgemäßen Gebrauchs der Säge und/oder falscher Betriebs- oder Einsatzbedingungen. Rückstöße lassen sich durch die unten genannten Vorsichtsmaßnahmen vermeiden.

- a) Halten Sie die Säge gut fest und stützen Sie die Arme so ab, dass die auftretenden Rückstoßkräfte abgefangen werden. Halten Sie sich mit dem Körper seitlich vom Sägeblatt jedoch nicht in einer Linie zum Sägeblatt auf. Durch die Rückstoßenergie kann ein Zurückspringen der Säge verursacht werden, aber die Rückstoßkräfte lassen sich durch geeignete Vorsichtsmaßnahmen unter Kontrolle halten.
- b) Verkantet das Sägeblatt oder wird der Schnitt aus bestimmten Gründen unterbrochen, lassen Sie den Schalter los und halten Sie die Säge bis zum Stillstand im Werkstück fest. Versuchen Sie nie, die Säge bei sich bewegendem Sägeblatt aus dem Werkstück oder nach hinten zu ziehen. Andernfalls besteht die Gefahr eines Rückstoßes. Forschen Sie nach der Ursache für das Festsitzen des Sägeblatts und sorgen Sie für Abhilfe.
- c) Wenn Sie eine im Werkstück befindliche Säge wieder einschalten, zentrieren Sie das Sägeblatt in der Fuge, damit sich die Zähne des Sägeblatts nicht im Material verkeilen. Sitzt das Sägeblatt fest, kann es nach oben wandern oder beim Starten der Säge vom Werkstück zurückgestoßen werden.
- d) Stützen Sie große Bretter ab, damit sich das Sägeblatt

nicht festfressen oder es zu einem Rückstoß kommen kann. Große Bretter neigen dazu, aufgrund ihres Eigengewichts einzuknicken. Die Stützen müssen auf beiden des Bretts in der Nähe der Schnittführung sowie an den Bretterkanten untergestellt werden.

- e) Keine stumpfen oder schadhafte Sägeblätter verwenden. Unscharfe oder falsch eingesetzte Sägeblätter verursachen schmale Fugen, die eine übermäßige Reibung erzeugen, das Sägeblatt festsetzen und Rückstöße auslösen können.
- f) Die Arretierhebel für die Sägeblatt-Tiefenverstellung und für den Gehrungswinkel müssen vor dem Sägen fest und sicher betätigt sein. Verändert sich die Sägeblatteinstellung beim Sägen kann dies zum Festsetzen des Sägeblatts und zu Rückstößen führen.
- g) Seien Sie besonders vorsichtig, wenn Sie in bestehenden Wänden oder anderen nicht einseharen Bereichen sägen. Das hervortretende Sägeblatt kann Gegenstände durchtrennen, die Rückstöße verursachen können.

Unterer Sägeblattschutz

- a) Prüfen Sie vor jedem Einsatz, ob die untere Schutzhaube richtig geschlossen ist. Setzen Sie die Säge nicht in Gang, wenn sich die untere Schutzhaube nicht unbehindert bewegen lässt und sich nicht direkt schließt. Die untere Schutzhaube darf nie in offener Stellung festgestellt oder festgebunden werden. Wenn die Säge versehentlich auf den Boden fällt, kann sich die untere Schutzhaube verbiegen. Heben Sie die untere Schutzhaube mit dem Rückziehegriff hoch und stellen Sie sicher, dass sich ungehindert bewegt und weder das Sägeblatt noch ein anderes Teil berührt, ganz gleich bei welchem Winkel und bei welcher Schnitttiefe.
- b) Überprüfen Sie Feder der unteren Schutzhaube auf Funktion. Wenn die Schutzhaube und die Feder nicht korrekt funktionieren, müssen diese Teile vor dem Sägen instandgesetzt werden. Die untere Schutzhaube wird durch beschädigte Teile, anhaftende Ablagerungen oder Schmutzansammlungen unter Umständen schwergängig.
- c) Der untere Sägeblattschutz darf nur bei bestimmten Schnitten wie z. B. bei „Tauschnitten“ und „Schifterschnitten“ manuell zurückgezogen werden. Heben Sie die untere Schutzhaube mit dem Rückziehebel an. Sobald das Sägeblatt in das Material eingreift, muss die untere Schutzhaube wieder losgelassen werden. Bei allen übrigen Sägearbeiten sollte die untere Schutzhaube automatisch funktionieren.
- d) Achten Sie stets darauf, dass die untere Schutzhaube das Sägeblatt verdeckt, bevor Sie die Säge auf der Werkbank oder auf den Boden legen. Durch ein auslaufendes ungeschütztes Sägeblatt kann die Säge rückwärts wandern und alles durchtrennen, was ihr im Wege liegt. Denken Sie an die Nachlaufzeit nach dem Loslassen des Betriebsschalters bis zum vollständigen Stillstand des Sägeblatts.

ZUSÄTZLICHE SICHERHEITSHINWEISE

ALLGEMEINES

- Das Werkzeug ist nur für Personen ab 16 Jahren geeignet

- Dieses Werkzeug ist für Nassschnitte nicht geeignet
- Bearbeiten Sie kein asbesthaltiges Material (Asbest gilt als krebserregend)
- Der Staub von Materialien wie bleihaltiger Farbe, bestimmten Holzarten, Mineralien und Metallen kann gesundheitsschädlich sein (das Einatmen oder der Kontakt mit diesen Stäuben kann allergische Reaktionen und/oder Atemwegserkrankungen beim Benutzer oder bei Passanten auslösen); tragen Sie eine Staubmaske und arbeiten Sie mit einer Staubabsaugung, sofern ein Anschluss dafür vorhanden ist
- Bestimmte Stäube sind als krebserregend eingestuft (beispielsweise Eichen- und Buchenholzstaub), insbesondere in Verbindung mit Zusätzen für die Holzvorbehandlung. Tragen Sie eine Staubmaske und arbeiten Sie mit einer Staubabsaugung, sofern anschließbar
- Beachten Sie die für Ihr verwendetes Verbrauchsmaterial gültigen nationalen Staubschutzvorgaben
- Verwenden Sie diese Säge nicht in Kombination mit einem Säge Tisch
- Bevor Einstellungen vorgenommen oder Zubehörteile ausgetauscht werden, Akku aus Werkzeug nehmen

ZUBEHÖR

- SKIL kann nur dann die einwandfreie Funktion des Werkzeuges zusichern, wenn Original-Zubehör verwendet wird
- Verwenden Sie bei der Bearbeitung von Holz und holzähnlichen Werkstoffen nur Sägeblätter, die den in dieser Betriebsanleitung angegebenen Kenndaten entsprechen und nach EN 847-1 geprüft und entsprechend gekennzeichnet sind.
- Nur Zubehör verwenden, dessen zulässige Drehzahl mindestens so hoch ist wie die höchste Leerlaufdrehzahl des Werkzeuges
- Verwenden Sie nur Sägeblätter mit einem Mindestdurchmesser von 115 mm, einem Maximaldurchmesser von 120 mm und einem Spindellochdurchmesser von 9,5 mm
- Niemals Schleifscheiben mit diesem Werkzeug verwenden
- Mit Zubehör vorsichtig umgehen und sorgfältig bewahren
- Denken Sie bei der Auswahl des Sägeblatts daran, dass es für den zu bearbeitenden Werkstoff geeignet sein muss..

VOR DER ANWENDUNG

- Beschädigungen durch Schrauben, Nägel und ähnliches an Ihrem Werkstück melden; diese vor Arbeitsbeginn entfernen
- Bevor Sie mit dem Schnitt beginnen, alle Hindernisse von der Ober- wie auch von der Unterfläche entfernen, die auf der Schnittstrecke liegen
- Spannen Sie das Werkstück ein (Wird das Werkstück von einer Spannvorrichtung gehalten oder in einen Schraubstock eingespannt, ist das Arbeiten sicherer als beim Festhalten mit der Hand)
- Verwenden Sie geeignete Suchgeräte, um unter Putz verlegte Leitungen aufzuspüren. Wenden Sie sich alternativ an einen Elektrofachbetrieb. Der Kontakt mit Elektroleitungen kann Brände oder Stromschläge hervorrufen. Bei Beschädigung einer Gasleitung besteht Explosionsgefahr. Durch das Anbohren einer Wasserleitung besteht die Gefahr einer Sachbeschädigung oder Stromschlaggefahr

WÄHREND DER ANWENDUNG

- Der Geräuschpegel beim Arbeiten kann 85 dB(A)

überschreiten; Gehörschutz tragen

- Das Werkzeug niemals ohne das Original-Schutz benutzen
- Nicht versuchen sehr kleine Werkstücke zu sägen
- Mit dem Werkzeug nicht über Kopf arbeiten
- Wenn das Werkzeug festsetzt oder eine elektrische oder mechanische Fehlfunktion auftritt, das Werkzeug sofort ausschalten und den Akku entfernen

NACH DER ANWENDUNG

- Sobald Sie sich von Ihrem Werkzeug entfernen, sollte dieses ausgeschaltet werden und die sich bewegenden Teile vollkommen zum Stillstand gekommen sein
- Sägeblätter nach dem Ausschalten des Werkzeuges nicht durch seitliches Gegendrücken bremsen

AKKU

- Der mitgelieferte Akku ist nur teilgeladen. Um die volle Kapazität des Akkus nutzen zu können, laden Sie den Akku im Ladegerät vollständig auf, bevor Sie das Elektrowerkzeug zum ersten Mal verwenden
- Nur die mit diesem Werkzeug mitgelieferten Batterien und Ladegeräte verwenden
 - SKIL-Akku:BR1*31****
 - SKIL-Ladegerät:CR1*31****
- Beschädigte Batterien nicht weiter verwenden, sondern ersetzen
- Die Batterie nicht auseinandernehmen
- Das Werkzeug/die Batterie niemals Regen aussetzen
- Erlaubte Umgebungstemperatur (Werkzeug/Ladegerät/Batterie):
 - beim Laden 4...40°C
 - im Betrieb -20...+50°C
 - bei Lagerung -20...+50°C

ERKLÄRUNG DER SYMBOLE AUF DEM WERKZEUG/ AKKU

- ③ Die Bedienungsanleitung vor dem Gebrauch lesen
- ④ Batterien werden bei Kontakt mit Feuer explodieren, die Batterien daher niemals verbrennen
- ⑤ Bewahren Sie das Werkzeug/Ladegerät/Akku stets bei Raumtemperaturen unter 50°C auf
- ⑥ Elektrowerkzeuge und Akkus nicht in den Hausmüll werfen

BEDIENUNG

- Aufladen des Akkus
 - ! Lesen Sie die Sicherheitshinweise und Anweisungen, die Ladegerät beiliegen
- Anbringen/Abnehmen des Akkus ②
- Akkuladeanzeige ⑦
 - Drücken Sie auf den Taster für die Akkustandsanzeige AB, um den aktuellen Ladezustand des Akkus zu kontrollieren ⑦a
 - ! Wenn nach dem Drücken des Tasters AB ⑦b die unterste Ladestufe in der Anzeige blinkt, ist der Akku leer
 - ! Wenn nach dem Drücken des Tasters AB ⑦c 2 Ladebalken blinken, ist der Akku nicht im zulässigen Betriebstemperaturbereich
- LED-Lampe T ⑧
 - Sobald das Werkzeug in Betrieb gesetzt wird, leuchtet die LED-Lampe automatisch auf
 - ! Wenn die LED-Lampe zu blinken beginnt, ist der Akkuschutz aktiviert (siehe unten)
- Akkuschutz
 - Das Gerät wird plötzlich ausgeschaltet oder kann nicht

mehr eingeschaltet werden, wenn

- die Belastung zu stark ist --> Gerät entlasten und neu starten
- die Akkumtemperatur nicht im zulässigen Betriebstemperaturbereich von -20 bis +50° C liegt --> Nach dem Drücken der Taste AB 7c blinken 2 Balken der Akkustandsanzeige auf. Warten, bis sich der Akku wieder innerhalb des zulässigen Betriebstemperaturbereichs befindet
- der Akku fast leer ist (zum Schutz vor Tiefentladung) --> Nach dem Drücken der Taste AB wird ein niedriger Akkustand oder ein blinkender niedriger Akkustand von der Akkustandsanzeige gemeldet; Akku aufladen
- ! Wenn sich das Gerät automatisch abgeschaltet hat, nicht weiterhin den Ein-/Ausschalter drücken; der Akku kann dadurch beschädigt werden
- Montieren des Sägeblatts ②
 - ! Akku aus dem Werkzeug nehmen
 - Sechskantschlüssel A aus der Halterung B nehmen
 - Halten Sie den Spindelarretierschalter gedrückt und montieren Sie die Sägeblattschraube AA ab, indem Sie den Sechskantschlüssel A IM UHRZEIGERSINN drehen (= gleiche Richtung wie der Pfeil auf dem Sägeblatt)
 - ! Spindelarretierschalter F nur bei stillstehendem Werkzeug drücken
 - Spindelarretierschalter F loslassen
 - Flansch Z entfernen
 - ! Sicherstellen, dass die Spannfleichen X der Flansche komplett sauber sind und bündig vor dem Sägeblatt liegen
 - unteren Sägeblattschutz W mit dem Hebel S lösen und halten. Dabei das Sägeblatt montieren und darauf achten, dass die Sägezähne und die Pfeilmarkierung auf dem Sägeblatt in dieselbe Richtung zeigen wie der Pfeil auf dem oberen Sägeblattschutz
 - unteren Blattschutz W loslassen
 - Flansch Z montieren
 - Spindelarretierschalter F gedrückt halten und dabei die Sägeblattschraube mit dem Sechskantschlüssel zunächst handfest und danach 1/8 Drehung weiter festziehen. Das sorgt für einen Schlupf des Sägeblattantriebs bei zu starkem Widerstand, um den Motor vor einer Überlastung zu schützen und die Rückstoßgefahr der Säge zu verhindern
 - Spindelarretierschalter F loslassen
- Schnitttiefe einstellen (0-41 mm) ⑨
 - für eine optimale Schnittgüte sollte das Sägeblatt nicht mehr als 3 mm unter dem Werkstück überstehen
 - Knopf Q lösen
 - Fuß M heben/senken, bis der Zeiger P die gewünschte Schnitttiefe auf der Skala anzeigt
 - Knopf Q festziehen
- Schnittwinkel einstellen (0 - 45°) ⑩
 - Knopf U lösen
 - Werkzeug kippen bis der Zeiger V den gewünschten Schnittwinkel auf der Skala anzeigt
 - Knopf U festziehen
 - ! beim Gehrungssägen entspricht die Schnitttiefe nicht dem Wert, der auf der Schnitttiefenskala angezeigt wird
- Schnitlinienanzeiger L ⑪
 - für die präzise Führung des Werkzeuges die auf dem

Werkstück gezogenen Schnittlinie entlang
- für einen geraden 0°-Schnitt oder einen
45°-Gehrungsschnitt die entsprechenden Zeigerlinie
verwenden

- ! **der breite Teil des Fußes sollte auf dem abgestützten Teil des Werkstücks aufliegen**
- ! **die Schnittbreite wird durch die Sägezahnbreite und nicht durch die Sägeblattdicke festgelegt**
- ! **immer zuerst einen Probeschnitt ausführen, um die effektive Schnittlinie zu überprüfen**

- Staubabsaugung ⑫
Wenn Staubsauger benutzt wird
- Staubsaugerschlauch mit dem Staubsaugeranschluss
H verbinden
! **Der Staubsaugerschlauch darf auf keinen Fall mit dem unteren Sägeblattschutz in Kontakt geraten oder den Sägevorgang behindern**
- ! **Staubsauger nicht verwenden beim Sägen von Metall**

- Bedienung des Werkzeuges
- Einlegen der Batterie
- Griff C immer festhalten
- Werkzeug mit der Fußvorderseite flach auf dem Werkstück positionieren
! **die Zähne des Sägeblatts dürfen sich nicht im Eingriff des Werkstücks befinden**
- zum Einschalten des Werkzeugs zuerst den Knopf E drücken (= nicht arretierbarer Sicherheitsschalter) und dann Schalter D ziehen

- ! **das Werkzeug sollte zuerst mit voller Drehzahl laufen, bevor das Sägeblatt in das Werkstück eingeführt wird**

- der untere Blattschutz W öffnet sich selbsttätig, wenn das Sägeblatt in das Werkstück eingreift (den unteren Blattschutz nur für spezielle Schnitte wie etwa Tauschschnitte manuell öffnen; hierzu Hebel S benutzen)

- ! **Nicht zu viel Druck auf das Werkzeug ausüben (nur leichten Dauerdruck aufwenden, um die Blattspitzen nicht zu überhitzen)**

- ! **Werkzeug beim Arbeiten immer an den Griffflächen festhalten**

- nach dem Sägen das Gerät durch Loslassen des Schalters D ausschalten

- ! **stellen Sie sicher, dass das Blatt vollkommen zum Stillstand gekommen ist, bevor Sie das Werkzeug vom Werkstück entfernen**

ANWENDUNGSHINWEISE

- Achten Sie beim Sägen von Holz und holzähnlichen Materialien immer darauf, dass die gute Seite des Werkstücks nach unten zeigt, um eine minimale Splitterbildung zu gewährleisten.
- Sägeleistung und Schnittqualität hängen wesentlich vom Zustand und der Zahnzahl des Sägeblattes ab.
- Verwenden Sie nur scharfe Sägeblätter, die für das zu sägende Material geeignet sind ⑬
- verwenden Sie Sägeblätter AC ② aus gehärtetem Stahl für das Sägen von Holz, Aluminium, Kunststoff und sämtlichen Sperrholzsorten
- verwenden Sie Diamantscheiben AC ② zum Sägen von Keramik und Fliesen
- Hartmetallbestückte Sägeblätter Y ② haben eine bis

zu 30 Mal längere Lebensdauer als konventionelle Sägeblätter


- Parallelanschlag J ⑭
- für exakte Parallelschnitte zur Werkstückkante
- in die Aussparungen auf Vorderseite des Fußes einführen
Parallelanschlag einstellen
- Schraube K mit Sechskantschlüssel A lösen
- anhand der Parallelanschlagskala auf die gewünschte Schnittbreite einstellen (Sichtkeil L als 0-Referenz verwenden)
- Schraube K festziehen
- Tauchsägen ⑮
- gewünschte Schnitttiefe einstellen
- das Werkzeug nach vorn kippen, bis der mit Sichtkeil L mit der gewünschten Schnittlinie fluchtet, die auf dem Werkstück markiert ist
- unteren Blattschutz W mit Hebel S lösen
- kurz vor dem Eintauchen des Sägeblatts in das Werkstück das Werkzeug einschalten, und den rückwärtigen Werkzeugteil, unter Verwendung der vorderen Fußkante als Auflagepunkt, langsam absenken
- das Werkzeug langsam nach unten absenken und gleichzeitig nach vorne schieben
- sobald das Sägeblatt in das Werkstück eindringt, Hebel S lösen
! **das Werkzeug auf keinen Fall rückwärts ziehen**
- Große Paneele sägen ⑯
- das Paneel nahe der Schnittlinie entweder am Boden, auf einem Tisch oder einer Werkbank abstützen
! **die Schnitttiefe so einstellen, dass Sie das Paneel und nicht das Stützelement durchsägen**
- falls die gewünschte Schnittbreite mit dem Parallelanschlag nicht möglich ist, eine gerade Holzleiste als Richtlatte am Werkstück festklemmen oder vernageln und das Werkzeug mit die linke Fußseite an die Richtlatte anschlagen lassen ⑰
- Für weitere Informationen verweisen wir auf www.skil.com

WARTUNG / PFLEGE

- Dieses Werkzeug eignet sich nicht für den professionellen Einsatz
- Halten Sie das Werkzeug stets sauber (insbesondere die Lüftungsschlitze N)
! **Vor dem Reinigen den Akku vom Werkzeug abnehmen**
- Halten Sie den Bereich um den unteren Blattschutz W ② herum stets sauber (entfernen Sie Staub und Späne mit Hilfe von Druckluft oder einer Bürste)
- Das Sägeblatt unmittelbar nach der Benutzung reinigen (insbesondere von Harz- und Leimrückständen)
- Sollte das Elektrowerkzeug trotz sorgfältiger Herstellungs- und Prüfverfahren einmal ausfallen, ist die Reparatur von einer autorisierten Kundendienststelle für SKIL-Elektrowerkzeuge ausführen zu lassen
- Schicken Sie das Werkzeug unzerlegt zusammen mit dem Kaufbeleg an den Fachhändler oder an die nächste SKIL-Vertragswerkstatt (die Anschriften sowie die Ersatzteilzeichnung des Werkzeuges finden Sie unter www.skil.com)
- Beachten Sie, dass ein falscher oder unsachgemäßer

Gebruik des Werkzeugs zum Erlöschen der Garantie führt (die SKIL-Garantiebedingungen finden Sie unter www.skil.com oder fragen Sie Ihren Händler)

UMWELT

- Elektrowerkzeuge, Akkus, Zubehör und Verpackungen nicht in den Hausmüll werfen (nur für EU-Länder)
 - Gemäß der europäischen Richtlinie 2012/19/EG über Elektro- und Elektronik-Altgeräte und ihrer Umsetzung in nationales Recht müssen nicht mehr gebrauchsfähige Elektrowerkzeuge getrennt gesammelt und einer umweltgerechten Wiederverwertung zugeführt werden
 - Hieran soll Sie das Symbol  erinnern
- ! **Vor dem Entsorgen des Akkus die Pole mit Isolierband zukleben, um einen Kurzschluss zu verhindern**

GERÄUSCH / VIBRATION


- Laut Messung gemäß EN 62841 beträgt der Schalldruckpegel dieses Werkzeugs 96 dB(A) und der Schalleistungspegel 107 dB(A) (Unsicherheit K = 3 dB). Die Vibration beträgt * (Triaxvektorsumme; Unsicherheit K = 1,5 m/s²)
 - * Sägen von Holz < 2,5 m/s²
 - * Sägen von Metall < 2,5 m/s²
- Die Vibrationsemissionsstufe wurde mit einem standardisierten Test gemäß EN 62841 gemessen. Sie kann verwendet werden, um ein Werkzeug mit einem anderen zu vergleichen und als vorläufige Beurteilung der Vibrationsexposition bei Verwendung des Werkzeugs für die angegebenen Anwendungszwecke
 - Die Verwendung des Werkzeugs für andere Anwendungen oder mit anderem oder schlecht gewartetem Zubehör kann den Expositionswert erheblich erhöhen
 - Zeiten, zu denen das Werkzeug ausgeschaltet oder bei denen es in Betrieb ist aber nicht zum Einsatz kommt, können den Expositionswert erheblich verringern
- ! **Schützen Sie sich vor den Auswirkungen der Vibration durch Wartung des Werkzeugs und des Zubehörs, halten Sie Ihre Hände warm und organisieren Sie Ihre Arbeitsweise**

NL

Borstelloze compacte multizaag

3540

INLEIDING

- Deze machine is bestemd voor het in de lengte en dwars zagen van hout, spaanplaat, multiplex, aluminium, tegels, steen, plastic en lichte bouwmaterialen met rechte zaagsnedes en zaagsnedes tot een hoek van maximaal 45°
- Dit gereedschap is niet bedoeld voor professioneel gebruik.
- Lees en bewaar deze gebruiksaanwijzing. 


TECHNISCHE GEGEVENS

GEREEDSCHAPSELEMENTEN

- A Zeskantsleutel
- B Opbergplaats voor zeskantsleutel
- C Handgreep
- D Drukschakelaar
- E Veiligheidsschakelaar
- F Asvergrendelknop
- G Stofopvang aansluiting
- H Stofzuigeraansluitstuk
- J Breedtegeleider
- K Schroef voor het instellen breedtegeleider
- L Zaaglijn-indicator
- M Voetplaat
- N Ventilatieopeningen
- P Aanwijzer zaagbladdiepte
- Q Knop voor instellen van zaagdiepte
- R Bovenste beschermkap
- S Hendel voor openen onderste beschermkap
- T Ledlampje
- U Knop voor instellen verstekhoek
- V Aanwijzer verstekhoek
- W Onderste beschermkap
- X Klemoppervlak
- Y Zaagblad met hardmetalen tanden
- Z Flens
- AA Zaagbladbout
- AB Accu niveau-indicator knop
- AC Gehard stalen zaagblad
- AD Diamantschijf

VEILIGHEID

ALGEMENE VEILIGHEIDSWAARSCHUWINGEN VOOR ELEKTRISCH GEREEDSCHAP

 **WAARSCHUWING** Lees alle veiligheidswaarschuwingen, instructies, illustraties en specificaties die met dit elektrisch gereedschap zijn meegeleverd. Het niet opvolgen van alle onderstaande instructies kan leiden tot elektrische schokken en/of ernstig letsel.

Bewaar alle waarschuwingen en instructies voor toekomstig gebruik.

De term "elektrisch gereedschap" in de waarschuwingen verwijst naar uw op het voedingsnet aangedreven (met snoer) elektrisch gereedschap of accu aangedreven (snoerloos) elektrisch gereedschap.

1) VEILIGHEID OP DE WERKPLAATS

- a) Houd uw werkplaats schoon en goed verlicht. Rommelige of donkere ruimten kunnen ongevallen veroorzaken.
- b) Gebruik geen elektrisch gereedschap in ruimten waar een explosieve atmosfeer kan ontstaan, bijvoorbeeld in de aanwezigheid van ontvlambare vloeistoffen, gassen of stof. Elektrisch gereedschap creëert vonken, deze kunnen stof of dampen in brand steken.
- c) Houd kinderen en omstanders uit de buurt wanneer u een elektrisch gereedschap bedient. Afleiding kan tot controleverlies leiden.

2) ELEKTRISCHE VEILIGHEID

- a) De stekker van het elektrisch gereedschap dient met

het stopcontact overeen te stemmen. Pas de stekker op geen enkele manier aan. Gebruik geen adapterstekker met geaard elektrisch gereedschap. Niet aangepaste stekkers en overeenkomstige stopcontacten beperken het risico op elektrische schokken.

- b) Vermijd lichamelijk contact met geaarde oppervlakken, zoals leidingen, radiatoren, fornuizen en koelkasten. Het risico op een elektrische schok is groter als uw lichaam geaard is.
- c) Stel elektrisch gereedschap niet bloot aan regen of vochtige omstandigheden. Water dat elektrisch gereedschap binnendringt, vergroot het risico op een elektrische schok.
- d) Gebruik de kabel niet op een verkeerde manier. Gebruik de kabel nooit om het elektrisch gereedschap te dragen, te trekken of om de stekker uit het stopcontact te halen. Houd de kabel uit de buurt van hitte, olie, scherpe randen of bewegende onderdelen. Beschadigde of verstrikte kabels vergroten het risico op een elektrische schok.
- e) Wanneer u een elektrisch gereedschap buitenshuis bedient, gebruik dan een verlengkabel die geschikt is voor gebruik buitenshuis. Het gebruik van een kabel die voor gebruik buitenshuis geschikt is, verkleint het risico op een elektrische schok.
- f) Als het gebruik van elektrisch gereedschap in een vochtige ruimte noodzakelijk is, gebruik een differentieelschakelaar. Het gebruik van een differentieelschakelaar verkleint het risico op elektrische schokken.

3) PERSOONLIJKE VEILIGHEID

- a) Wees waakzaam, let op wat u doet en gebruik uw gezond verstand wanneer u elektrisch gereedschap gebruikt. Gebruik het elektrisch gereedschap niet als u moe bent of onder de invloed bent van drugs, alcohol of medicijnen. Een moment van onoplettendheid tijdens het gebruik van elektrische gereedschappen kan leiden tot ernstig persoonlijk letsel.
- b) Gebruik persoonlijke beschermingsmiddelen. Draag altijd oogbescherming. Beschermingsmiddelen zoals een stofmasker, slipvaste werkschoenen, veiligheidshelm of gehoorbescherming afhankelijk van de aard en het gebruik van het gereedschap verkleint het risico op persoonlijk letsel.
- c) Vermijd dat het gereedschap per ongeluk wordt gestart. Zorg dat de schakelaar op de stand 'Uit' is ingesteld voordat u het gereedschap op een stroombron en/of accupack aansluit, vastneemt of draagt. Het dragen van elektrisch gereedschap met uw vinger op de schakelaar of gereedschap ingeschakeld op de stroomvoorziening aansluiten kan ongevallen veroorzaken.
- d) Verwijder instelsleutels of moersleutels voordat u het elektrisch gereedschap inschakelt. Een instelsleutel of moersleutel in een draaiend deel van het elektrisch gereedschap achterlaten kan leiden tot persoonlijk letsel.
- e) Reik niet te ver. Zorg er altijd voor dat u stevig en stabiel staat. Dit zorgt ervoor dat u het elektrisch gereedschap in onverwachte situaties beter onder controle kunt houden.
- f) Houd uw haar en kleding uit de buurt van bewegende onderdelen. Los hangende kleding, sieraden en lang haar kunnen in bewegende onderdelen verstrikt raken.
- g) Wanneer de montage van stofafzuiging- of stofopvangvoorzieningen mogelijk is, dient u ervoor te zorgen dat deze juist aangesloten en gebruikt worden.

Het gebruik van een stofopvang kan helpen om het risico in verband met stof te verlagen.

- h) Word niet zelfingenomen door de ervaring die u heeft opgedaan door frequent gebruik, waardoor u dan de veiligheids waarschuwingen negeert. Een achteloze actie kan binnen een fractie van een seconde ernstig letsel veroorzaken.

4) ELEKTRISCH GEREEDSCHAP GEBRUIKEN EN ONDERHOUDEN

- a) Overbelast het elektrisch gereedschap niet. Gebruik het juiste elektrisch gereedschap voor uw toepassing. Met het juiste elektrisch gereedschap werkt u beter en veiliger binnen het aangegeven vermogensbereik.
- b) Gebruik het elektrisch gereedschap niet als de schakelaar niet kan worden in- en uitgeschakeld. Elektrisch gereedschap dat niet kan worden in- of uitgeschakeld is gevaarlijk en moet worden gerepareerd.
- c) Trek de stekker uit de stroomvoorziening en/of verwijder het accupack, indien deze kan worden verwijderd, uit het elektrisch gereedschap voordat u het instelt, accessoires vervangt of het gereedschap opbergt. Deze preventieve voorzorgsmaatregelen beperken het risico op onbedoeld starten van het elektrisch gereedschap.
- d) Berg niet-gebruikt elektrisch gereedschap op buiten het bereik van kinderen en zorg ervoor dat personen die niet vertrouwd zijn met het gereedschap of die deze instructies niet hebben gelezen het gereedschap niet gebruiken. Elektrisch gereedschap is gevaarlijk wanneer het door onervaren personen wordt gebruikt.
- e) Onderhoud het elektrisch gereedschap en de accessoires. Controleer of de bewegende onderdelen correct functioneren en niet vastklemen en of de onderdelen zodanig gebroken of beschadigd zijn dat de werking van het elektrisch gereedschap nadelig wordt beïnvloedt. Laat een beschadigd elektrisch gereedschap eerst repareren voordat u het weer in gebruik neemt. Vele ongevallen zijn het gevolg van slecht onderhouden elektrisch gereedschap.
- f) Houd de snij-onderdelen scherp en schoon. Zorgvuldig onderhouden snij-gereedschap met scherpe snijranden klemt minder snel vast en is gemakkelijker te beheersen.
- g) Gebruik het elektrisch gereedschap, accessoires, inzetgereedschap, etc. in overeenstemming met deze instructies en houd hierbij rekening met de werkomstandigheden en de uit te voeren werkzaamheden. Het gebruik van elektrisch gereedschap voor andere dan de beoogde toepassingen kan tot gevaarlijke situaties leiden.
- h) Houd de handgrepen en greepvlakken droog, schoon en vrij van olie en smeervet. Glibberige handgrepen en greepvlakken maken een veilige omgang en de controle over het elektrisch gereedschap in onverwachte situaties onmogelijk.

5) ACCU-GEREEDSCHAP GEBRUIKEN EN ONDERHOUDEN

- a) Opladen alleen met de lader die door de fabrikant is aangegeven. Een lader die geschikt is voor een bepaald type accupack kan tot brandgevaar leiden wanneer hij gebruikt wordt met een ander accupack.
- b) Gebruik elektrisch gereedschap alleen met het specifiek aangegeven accupack. Het gebruik van andere accupacks kan risico op letsel en brandgevaar veroorzaken.

- c) Wanneer u de accu niet gebruikt, houd het uit de buurt van andere metalen voorwerpen zoals paperclips, muntstukken, sleutels, nagels, schroeven of andere kleine metalen voorwerpen die de twee aansluitklemmen kunnen verbinden. Het kortsluiten van de aansluitklemmen kan brandwonden of brand veroorzaken.
 - d) Bij verkeerd gebruik kan er vloeistof uit de accu worden gespoten; vermijd elk contact. Als aanraking met de vloeistof toevallig plaatsvindt, spoel het dan af met water. Als de vloeistof in contact komt met de ogen, dient u onmiddellijk een arts te consulteren. Vloeistof dat uit de accu wordt gespoten kan irritatie of brandwonden veroorzaken.
 - e) Gebruik geen accupack of gereedschap dat is beschadigd of aangepast. Beschadigde of aangepaste accu's kunnen resulteren in onvoorzien gedrag zoals brand, explosie of het risico op letsel.
 - f) Stel een accupack of gereedschap niet bloot aan vuur of excessieve temperaturen. Blootstelling aan vuur of temperaturen boven 130°C kunnen leiden tot een explosie.
 - g) Neem alle laadinstructies in acht en laad het accupack of het gereedschap niet buiten het gespecificeerde temperatuurbereik in de handleiding op. Het onjuist laden of bij een temperatuur buiten het temperatuurbereik kan de accu beschadigen en er bestaat een gevaar op brand.
- 6) SERVICE**
- a) Laat uw elektrisch gereedschap repareren door een gekwalificeerde reparateur en alleen met identieke reserve-onderdelen. Dit waarborgt de veiligheid van het elektrisch gereedschap.
 - b) Repareer beschadigde accupacks nooit. Onderhoud van accupacks mag alleen worden uitgevoerd door de fabrikant of een geautoriseerde dienstverlener.

VEILIGHEIDSVOORSCHRIFTEN VOOR CIRKELZAGEN

Zaagmethode

- a) **GEVAAR:** Houd handen uit de buurt van het snijgebied en het zaagblad. Als beide handen de zaag vasthouden, kunnen ze niet door de zaag worden gesneden.
- b) Reik niet onder het werkstuk. De beschermkap kan u niet beschermen tegen het zaagblad onder het werkstuk.
- c) Pas de zaagdiepte aan op de dikte van het werkstuk. Minder dan een volledige tand van de tanden van het zaagblad zouden zichtbaar moeten zijn onder het werkstuk.
- d) Houd het werkstuk nooit in uw handen of over uw been tijdens het zagen. Bevestig het werkstuk op een stabiel platform. Het is belangrijk om het werk goed te ondersteunen om blootstelling van het lichaam, het vastlopen van het zaagblad of verlies van controle te minimaliseren.
- e) Houd het elektrisch gereedschap vast aan de geïsoleerde grepen, als u een handeling uitvoert waarbij het zaaggereedschap in contact kan komen met verborgen bedrading. Door contact met een onder stroom staande draad kunnen de blootgestelde metalen onderdelen van het elektrisch gereedschap ook onder stroom komen te staan en de gebruiker een elektrische

- schok geven.
- f) Gebruik bij het schulpen altijd een parallelle geleider of rechte hoekgeleider. Dit verbetert de zaagnauwkeurigheid en vermindert de kans op vastlopen van het zaagblad.
- g) Gebruik altijd zaagbladen met de juiste grootte en vorm (diamant vs. rond) of asgaten. Zaagbladen die niet passen op het bevestigingsmateriaal van de zaag lopen niet excentrisch, wat een verlies van controle tot gevolg heeft.
- h) Gebruik nooit beschadigde of verkeerde sluitringen of bouten. De sluitringen en bout zijn speciaal ontworpen voor uw zaag, voor optimale prestaties en een veilig gebruik.

Oorzaken voor een terugslag en gerelateerde waarschuwingen

- Een terugslag is een plotselinge reactie op een bekneld, vastgelopen of verkeerd uitgelijnd zaagblad, waardoor een ongecontroleerde zaag omhoog en uit het werkstuk in de richting van de gebruiker wordt getild.
- Wanneer het zaagblad stevig wordt bekneld of vastgeklemd doordat de snede naar beneden toe smaller wordt, stopt het zaagblad en duwt de motorreactie de eenheid snel terug richting de gebruiker.
- Als het zaagblad in de snede verdraaid of niet goed uitgelijnd raakt, kunnen de tanden aan de achterrand van het zaagblad in het bovenoppervlak van het hout graven, waardoor het zaagblad uit de zaagsnede beweegt en terugspringt naar de gebruiker.

Een terugslag is het resultaat van het verkeerd gebruik en/of verkeerde bediening of werkomstandigheden van de zaag en kan worden voorkomen door de juiste voorzorgsmaatregelen zoals beneden vermeld te nemen.

- a) Houd een stevige grip op de zaag en plaats uw armen om terugslagkrachten te weerstaan. Plaats uw lichaam aan een zijde van het zaagblad, maar niet in lijn met het zaagblad. Terugslag kan ervoor zorgen dat de zaag achteruit springt, maar terugslagkrachten kunnen door de bediener worden opgevangen, als de juiste voorzorgsmaatregelen worden genomen.
- b) Wanneer het zaagblad vastloopt, of wanneer een zaagsnede om welke reden dan ook wordt onderbroken, laat u de schakelaar los en houdt u de zaag stil in het materiaal totdat het zaagblad volledig tot stilstand is gekomen. Probeer nooit om de zaag uit het werkstuk te halen of de zaag naar achteren te trekken terwijl het zaagblad in beweging is, anders kan er een terugslag optreden. Onderzoek en onderneem corrigerende maatregelen om de oorzaak van het vastlopen van het zaagblad te verhelpen.
- c) Wanneer u een zaag in het werkstuk opnieuw start, centreert u het zaagblad in de zaagsnede zodat de zaagtanden niet in het materiaal grijpen. Als een zaagblad vastloopt, kan het omhoog bewegen of terugslaan van het werkstuk wanneer de zaag opnieuw wordt gestart.
- d) Ondersteun grote panelen om het risico op beknelling van het zaagblad en een terugslag te minimaliseren.

Grote panelen hebben de neiging door te zakken onder hun eigen gewicht. Er moeten steunen aan beide zijden onder het paneel worden geplaatst, in de buurt van de zaaglijn en bij de rand van het paneel.

- e) Gebruik geen botte of beschadigde zaagbladen. Botte of onjuist ingestelde zaagbladen maken een smalle zaagsnede die excessieve wrijving tot gevolg heeft, waardoor het zaagblad vast komt te zitten en een terugslag veroorzaakt.
- f) De vergrendelingshendels voor het instellen van de zaagbladdiepte en de afschuining moeten goed vast zitten voordat u begint met zagen. Als de zaagbladinstelling tijdens het zagen verschuift, kan het zaagblad hierdoor vastlopen en een terugslag veroorzaken.
- g) Wees extra voorzichtig bij het zagen in bestaande muren of andere gebieden waar u niets ziet. Het uitstekende zaagblad kan voorwerpen zagen die een terugslag kunnen veroorzaken.

Functie van de onderste beschermkap

- a) Controleer voor elk gebruik of de onderste beschermkap goed sluit. Gebruik de zaag niet als de onderste beschermkap niet vrij kan bewegen en onmiddellijk sluit. Klem of bind de onderste beschermkap nooit in de open stand vast. Als de zaag per ongeluk valt, kan de onderste beschermkap verbogen raken. Til de onderste beschermkap op met behulp van de terugtrekhandel en zorg ervoor dat deze vrij kan bewegen en het zaagblad of enig ander onderdeel niet raakt, in alle hoeken en diepten van de zaagsnede.
- b) Controleer de werking van de onderste beschermveer. Als de beschermkap en de veer niet naar behoren werken, moeten ze voor gebruik worden nagekeken. De onderste beschermkap kan traag werken als gevolg van beschadigde onderdelen, rubber afzettingen of een opeenhoping van vuil.
- c) De onderste beschermkap mag alleen handmatig worden ingetrokken voor speciale zaagsneden zoals "invalsneden" en "samengestelde sneden". Til de onderste beschermkap op met de terugtrekhandel en zodra het zaagblad in het materiaal komt, moet de onderste beschermkap worden losgelaten. Voor al het andere zagen moet de onderste beschermkap automatisch werken.
- d) Let er altijd op dat de onderste beschermkap het zaagblad bedekt voordat u de zaag op een bank of vloer neerzet. Een onbeschermde, uitlopend zaagblad zorgt ervoor dat de zaag achteruit loopt en zaagt wat er op zijn pad komt. Houd rekening met de tijd die het zaagblad nodig heeft om tot stilstand te komen nadat de schakelaar is losgelaten.

EXTRA VEILIGHEIDSVOORSCHRIFTEN

ALGEMEEN

- Dit gereedschap mag niet worden gebruikt door personen onder de 16 jaar
- Deze machine is niet geschikt voor nat-zagen
- **Bewerk geen asbesthoudend materiaal (asbest geldt als kankerverwekkend)**
- Stof van materiaal zoals loodhoudende verf, sommige

houtsoorten, mineralen en metaal kunnen schadelijk zijn (contact met of inademing van de stof kan allergische reacties en/of ademhalingsziekten bij gebruiker of omstanders veroorzaken); draag een stofmasker en werk met een stofopvangvoorziening als die kan worden aangesloten

- Bepaalde soorten stof zijn geclassificeerd als kankerverwekkend (zoals stof van eiken en beuken), met name in combinatie met toevoegingsmiddelen voor houtverzorging; draag een stofmasker en werk met een stofopvang-voorziening als die kan worden aangesloten
- Neem voor de door u te bewerken materialen de nationale voorschriften aangaande stofopvang in acht
- Gebruik deze zaag niet in combinatie met een zaagtafel
- Verwijder de batterij uit de machine voordat u instellingen verandert of een accessoire verwisselt

ACCESSOIRES

- SKIL kan alleen een correcte werking van het gereedschap garanderen, indien originele accessoires worden gebruikt
- Gebruik alleen zaagbladen die voldoen aan de in deze gebruiksaanwijzing vermelde specificaties, volgens EN 847-1 zijn gecontroleerd en overeenkomstig zijn gemarkeerd, indien u hem in hout of houtachtige materialen wilt gebruiken.
- Gebruik alleen accessoires met een toegestaan toerental, dat minstens even hoog is als het hoogste onbelaste toerental van het gereedschap
- **Gebruik uitsluitend zaagbladen/doorslijpschijven met een minimale diameter van 115 mm, een maximale diameter van 120 mm en een asgat van 9,5 mm**
- Gebruik nooit afbraam-slijpschijven bij deze machine
- Ga voorzichtig met accessoires om en berg deze zorgvuldig op
- Identificeer het juiste zaagblad dat moet worden gebruikt voor het te zagen materiaal.

VOÓR GEBRUIK

- Voorkom schade, die kan ontstaan door schroeven, spijkers en andere voorwerpen in uw werkstuk; verwijder deze, voordat u aan een karwei begint
- Verwijder, voordat u begint te zagen, alle obstakels zowel boven als onder het zaagvlak
- Zet het werkstuk vast (een werkstuk, dat is vastgezet met klemmen of in een bankschroef, zit steviger vast dan wanneer het met de hand wordt vastgehouden)
- Gebruik een geschikt detectieapparaat om verborgen stroom-, gas- of waterleidingen op te sporen of raadpleeg het plaatselijke energie- of waterleidingbedrijf of bel een lokaal nutsbedrijf voor hulp (contact met elektrische leidingen kan tot brand of een elektrische schok leiden; beschadiging van een gasleiding kan tot een explosie leiden; breuk van een waterleiding veroorzaakt materiële schade en kan tot een elektrische schok leiden)

TIJDENS GEBRUIK

- Tijdens het werken kan het geluidsniveau 85 dB(A) overschrijden; draag oorbeschermers
- Gebruik uw machine nooit zonder het originele beschermkapsysteem
- Probeer niet om uitzonderlijk kleine werkstukken te zagen
- Werk niet boven uw hoofd met de machine
- In geval van het vastknellen of elektrische of mechanische storing, het gereedschap onmiddellijk uitschakelen en batterij verwijderen

NA GEBRUIK

- Als u de machine wegzet moet de motor uitgeschakeld

zijn en de bewegende delen tot stilstand zijn gekomen

- Na uitschakeling van uw cirkelzaagmachine, nooit een draaiend cirkelzaagblad stoppen door er aan de zijkant iets tegenaan te drukken

BATTERIJEN

- De meegeleverde accu is deels opgeladen (om een volledige capaciteit van de accu te garanderen, moet u de accu volledig opladen in de oplader voordat u uw elektrische gereedschap voor de eerste keer gebruikt)
- Gebruik uitsluitend de volgende batterijen en opladers voor deze machine
 - SKIL-batterij: BR1*31****
 - SKIL-oplader: CR1*31****
- Gebruik de batterij niet, wanneer deze beschadigd is; vervang deze
- Haal de batterij niet uit elkaar
- Stel machine/batterij niet bloot aan regen
- Toegestane omgevingstemperatuur (machine/oplader/batterij):
 - bij het laden 4...40°C
 - bij het gebruik -20...+50°C
 - bij opslag -20...+50°C

UITLEG VAN SYMBOLEN OP GEREEDSCHAP/BATTERIJ

- ③ Lees de gebruiksaanwijzing vóór gebruik
- ④ Batteries may explode when disposed of in fire, so do not burn battery for any reason
- ⑤ Bewaar het gereedschap/oplader/batterij op een plaats, waar de temperatuur niet hoger dan 50°C kan worden
- ⑥ Geef elektrisch gereedschap en batterijen niet met het huisvuil mee

GEBRUIK

- Opladen batterij
 - ! lees de veiligheidswaarschuwingen en -voorschriften die bij de oplader worden geleverd
- Verwijderen/installeren van de batterij ②
- Batterijniveau-indicator ⑦
 - druk op de batterijniveau-indicatorknop AB om het huidige batterijniveau ⑦a aan te geven
 - ! als de laagste batterijniveau-indicator begint te knippen na het drukken van de knop AB ⑦b, is de batterij leeg
 - ! Als 2 niveaus van de batterij-indicator beginnen te knippen na het drukken van knop AB ⑦c, bevindt de batterij zich niet binnen het toegestane temperatuurbereik voor gebruik
- Led-lamp T ⑧
 - Led-lampje gaat automatisch aan wanneer het gereedschap begint te draaien
 - ! als het led-lampje gaat knippen is de batterijbescherming geactiveerd (zie hieronder)
- Batterijbescherming
 - De machine wordt plotseling uitgeschakeld of kan niet meer worden ingeschakeld, wanneer
 - de belasting is te hoog -> verwijder de belasting en start opnieuw
 - de temperatuur van de batterij ligt niet binnen het toegestane bedrijfstemperatuurbereik van -20 tot +50°C --> 2 niveaus van de batterijniveau-indicator beginnen te knippen als er op knop AB 7c wordt gedrukt; wacht tot de batterij weer binnen het toegestane bedrijfstemperatuurbereik zit
 - de batterij bijna leeg is (ter bescherming tegen diepe ontlading) --> er wordt een laag batterijniveau

of knipperend batterijniveau ub aangegeven door de batterijniveau-indicator als er op knop AB wordt gedrukt; batterij opladen

! blijf niet op de aan/uit-schakelaar drukken nadat het gereedschap automatisch is uitgeschakeld; de batterij kan beschadigd worden

- Het zaagblad aanbrengen ②
 - ! verwijder de batterij uit het gereedschap
 - neem binnenzeskantsleutel A uit opslag B
 - druk op asvergrendelknop F en houd deze ingedrukt terwijl u zaagbladbout AA verwijderd door binnenzeskantsleutel RECHTSOM te draaien (= in de richting van de pijl op het zaagblad)
 - ! druk asvergrendelknop F alleen in als het gereedschap helemaal stilstaat
 - laat asvergrendelknop F los
 - verwijder flens Z
 - ! zorg ervoor, dat het klemoppervlak X van de flenzen perfect schoon zijn en naar het zaagblad wijzen
 - open onderste beschermkap W met hendel S en houd deze vast terwijl u het zaagblad monteert met de zaagtanden en de pijl op het zaagblad in dezelfde richting wijzend als de pijl op de bovenste beschermkap
 - laat onderste beschermkap W los
 - monteer flens Z
 - druk asvergrendelknop F in en houd deze vast terwijl u de bout eerst handvast draait, en hem met de binnenzeskantsleutel nog 1/8 slag verder vastdraait (zorgt voor slippen van het zaagblad wanneer dit grote weerstand ondervindt, waardoor kans op overbelasting van de motor en machine-terugslag kleiner wordt)
 - laat asvergrendelknop F los
- Instellen zaagdiepte (0-41 mm) ⑨
 - voor een optimale zaagsnede mag het zaagblad niet meer dan 3 mm onder het werkstuk uitsteken
 - maak knop Q los
 - duw voet M omhoog/omlaag totdat gewenste zaagdiepte op schaal is ingesteld met behulp van indicator P
 - draai knop Q vast
- Instellen van de zaaghoek (0-45°) ⑩
 - draai knop U los
 - kantel het gereedschap totdat de gewenste zaaghoek op de schaal is ingesteld met behulp van indicator V
 - draai knop U vast
 - ! bij verstekzagen correspondeert de zaagdiepte niet met de waarde op de zaagdiepte-schaal
- Zaaglijn-indicator L ⑪
 - voor het langs de gewenste, op werkstuk aangegeven, zaaglijn geleiden van machine
 - gebruik voor een rechte 0° zaagsnede of een 45° verstekzaagsnede de betreffende indicatielij
 - ! laat het brede gedeelte van de voet op het ondersteunde gedeelte van werkstuk rusten
 - ! de breedte van zaagsnede wordt bepaald door de dikte van de zaagtanden en niet door de dikte van zaagblad zelf
 - ! altijd eerst uitproberen op een stuk afvalmateriaal
- Stofzuiging ⑫
 - Voor gebruik van stofzuiger
 - sluit de stofzuigerslang aan op het

stofzuigeraansluitstuk H

! laat de stofzuigerslang nooit het openen van de onderste beschermkap of het zagen belemmeren

! gebruik de stofzuiger niet bij het zagen van metaal

- Werken met het gereedschap
 - monteer batterij
 - houd greep C altijd stevig vast
 - plaats machine met voorkant van voet goed vlak op het werkstuk

! zorg dat de zaagtanden het werkstuk niet raken

- schakel uw gereedschap aan door eerst knop E (= veiligheidsschakelaar, die niet vastgezet kan worden) en daarna knop D te trekken

! het gereedschap moet eerst op volle snelheid lopen voordat het blad in het werkstuk duikt

- onderste beschermkap W opent automatisch als het zaagblad in het werkstuk gaat (open onderste beschermkap alleen handmatig met hendel S voor speciale zaagsnedes zoals inval-zaagsnedes)

! forceer het gereedschap niet (oefen lichte en constante druk uit om oververhitting van de zaagtanden te voorkomen)

! houd het gereedschap tijdens het werk altijd vast bij het (de) greepvlak(ken)

- schakel het gereedschap uit na het maken van de zaagsnede door knop D los te laten

! zorg ervoor, dat het zaagblad compleet tot stilstand is gekomen, voordat u het gereedschap van het werkstuk tilt

TOEPASSINGSADVIES

- Plaats altijd de goede kant van het werkstuk naar beneden om te zorgen voor minimale versplintering tijdens het zagen van hout en houtachtige materialen.
- De zaagprestaties en de zaagkwaliteit hangen in wezen af van de toestand en het aantal tanden van het zaagblad.
- Gebruik alleen scherpe zaagbladen die geschikt zijn voor het materiaal dat wordt gezaagd ⑬
 - gebruik een gehard stalen zaagblad AC ② voor het zagen van hout, aluminium, plastic en allerlei soort gelamineerd hout
 - gebruik de diamantschijf AD ② voor het zagen van keramiek en tegels
 - zaagbladen met hardmetalen tanden Y ② blijven tot 30 maal langer scherp dan gewone zaagbladen
- Breedtegeleider J ⑭
 - voor het maken van een precieze zaagsnede langs de rand van een werkstuk
 - steek door de gleuven aan de voorkant van de voetInstellen breedtegeleider
 - schroef K losmaken met binnenzeskantsleutel A
 - stel gewenste zaagbreedte in met behulp van schaal op breedtegeleider (gebruik zaaglijn-indicator L als 0-referentiepunt)
 - draai schroef K aan
- Invalzagen ⑮
 - stel gewenste zaagdiepte in
 - kantel het gereedschap naar voren met zaaglijn-indicator L op één lijn met de op het werkstuk aangegeven gewenste zaaglijn
 - open de onderste beschermkap W met hendel S
 - schakel, net voordat u het zaagblad in het werkstuk

leidt, de machine in en laat achterkant van machine geleidelijk zakken terwijl u voorkant van voet als "scharnier" gebruikt

- beweeg machine geleidelijk zowel naar beneden als naar voren
- zodra het zaagblad in het materiaal gaat, laat u hendel S los

! het gereedschap nooit naar achteren trekken

- Zagen van grote panelen ⑯
 - ondersteun paneel dicht bij de zaagsnede op de grond, een tafel of een werkbank

! stel de zaagdiepte zo in, dat u door paneel en niet door de ondersteuning zaagt

- indien de breedtegeleider de gewenste zaagbreedte niet aankan, klem of spijker een recht stuk hout op werkstuk als een geleider, en gebruik de linkerkant van de voet tegen deze geleider ⑰

- Voor meer informatie zie www.skil.com

ONDERHOUD/SERVICE

- Dit gereedschap is niet bedoeld voor professioneel gebruik
- Houd het gereedschap altijd schoon (met name de ventilatiesleuven N)
 - ! verwijder voor het reinigen de batterij uit het gereedschap**
- Houd het gebied rondom de onderste beschermkap W ② altijd schoon (verwijder stof en splinters met behulp van perslucht of een borstel)
- Maak zaagblad onmiddellijk na gebruik schoon (met name als er hars of lijm op zit)
- Mocht het elektrische gereedschap ondanks zorgvuldige fabricage- en testmethoden toch defect raken, dient de reparatie te worden uitgevoerd door een erkende klantenservice voor SKIL elektrische gereedschappen
 - stuur het gereedschap niet gedemonteerd, samen met het aankoopbewijs, naar het verkoopadres of het dichtstbijzijnde SKIL service-station (de adressen evenals de onderdelentekening van de machine vindt u op www.skil.com)
- Denk erom, dat beschadigingen als gevolg van overbelasting of onjuist gebruik van de machine niet onder de garantie vallen (voor de garantievoorwaarden van SKIL zie www.skil.com of raadpleeg uw dealer)

MILIEU

- Geef elektrisch gereedschap, batterijen, accessoires en verpakkingen niet met het huisvuil mee (alleen voor EU-landen)
 - volgens de Europese richtlijn 2012/19/EG inzake oude elektrische en elektronische apparaten en de toepassing daarvan binnen de nationale wetgeving, dient afgedankt elektrisch gereedschap gescheiden te worden ingezameld en te worden afgevoerd naar een recycle-bedrijf, dat voldoet aan de geldende milieueisen
 - symbool ⑥ zal u eraan herinneren als u het gereedschap moet afdanken
- ! bescherm de batterij-contacten met stevig plakband voordat ze afgedankt worden, om kortsluiting te voorkomen**

GELUID/VIBRATIE

- Gemeten in navolging van EN 62841 is het geluidsdrukniveau van dit gereedschap 96 dB (A) en het geluidsvermogensniveau 107 dB (A) (onzekerheid K = 3 dB), en de trilling * (triax vector som; onzekerheid K = 1,5 m/s²)
 - * hout zagen < 2,5 m/s²
 - * zagen van metaal < 2,5 m/s²
 - Het trillingsemissieniveau is gemeten in overeenstemming met een gestandaardiseerde test volgens EN 62841; deze mag worden gebruikt om twee machines met elkaar te vergelijken en als voorlopige beoordeling van de blootstelling aan trilling bij gebruik van de machine voor de vermelde toepassingen
 - gebruik van het gereedschap voor andere toepassingen, of met andere of slecht onderhouden accessoires, kan het blootstellingsniveau aanzienlijk verhogen
 - wanneer het gereedschap is uitgeschakeld of wanneer het is ingeschakeld maar geen werk verricht, kan dit het blootstellingsniveau aanzienlijk reduceren
- ! bescherm uzelf tegen de gevolgen van trilling door het gereedschap en de accessoires te onderhouden, uw handen warm te houden en uw werkwijze te organiseren**

S

Borstlös kompakt multisåg

3540

INTRODUKTION

- Det här verktyget är avsett för sågning av längs- och tvärsnitt i trä, spånskivor, plywood, aluminium, plattor, sten, plast och byggnadsmaterial med lätt vikt med raka sågningar samt vinkelsågningar upp till 45
- Det här verktyget är inte avsedd för yrkesmässig användning.
- Läs igenom och spara denna bruksanvisning ③

TEKNISK DATA ①

VERKTYGSELEMENT ②

- A Sexkantsnyckel
- B Förvaring av sexkantsnyckel
- C Handtag
- D Avtryckare
- E Säkerhetsbrytare
- F Spindellåsknapp
- G Dammsugningsuttag
- H Dammsugaradapter
- J Sidoanslag
- K Skruv för justering av parallellstyrning
- L Siktskåra
- M Stöd
- N Ventilationsöppningar
- P Indikator för sågdjup
- Q Knapp för inställning av sågdjup
- R Övre skydd
- S Öppningsspak för nedre skydd
- T LED-lampa

- U Knapp för justering av sågningsvinkel
- V Indikator för sågningsvinkel
- W Undre skydd
- X Klämyta
- Y Sågklinga med hårdmetallskär
- Z Fläns
- AA Klingbult
- AB Knapp batterinivåindikator
- AC Sågblad av härdat stål
- AD Diamantskiva

SÄKERHET

ALLMÄNNA SÄKERHETSVARNINGAR FÖR ELVERKTYG

⚠ VARNINGLäs igenom alla säkerhetsvarningar, instruktioner, illustrationer och specifikationer som medföljer detta elverktyg. Underlåtenhet att följa alla instruktioner som listas nedan kan resultera i elektriska stötar, brand och/eller allvarliga personskador.

Spara alla varningar och instruktioner för framtida referens

Termen "elverktyg" i varningarna syftar på ditt eldrivna (sladdanslutna) elverktyg eller batteridrivna (sladdlösa) elverktyg.

1) ARBETSPLATSSÄKERHET

- a) Håll arbetsområdet rent och ordentligt upplyst. Belamrade eller mörka områden inbjuder till olyckor.
- b) Använd inte elverktyg i explosiva miljöer som t.ex. i närvaron av brandfarliga vätskor, gaser eller damm. Elverktyg skapar gnistor vilka kan antända dammet eller ångorna.
- c) Håll barn och åskådare borta medan elverktyget arbetar. Störningarna kan göra att du tappar kontrollen.

2) ELEKTRISK SÄKERHET

- a) Elverktygets kontakter måste matcha uttaget. Modifiera aldrig kontakten på något sätt. Använd inte någon adapterkontakt med motordrivna verktyg som är jordade. Stickkontakter som inte modifierats och passar i eluttaget minskar risken för elektriska stötar.
- b) Undvik kroppskontakt med jordanslutna eller jordade ytor såsom rör, värmeelement, spisar och kylskåp. Det finns en ökad risk för elektrisk stöt om din kropp är jordansluten eller jordad.
- c) Utsätt inte elverktyg för regn eller våta förhållanden. Vatten som kommer in i ett elektriskt verktyg ökar risken för elektriska stötar.
- d) Vanvärda inte sladden. Använd aldrig kabeln för att bära, släpa eller dra ut kontakten för elverktyget. Håll kabeln borta från värme, olja, skarpa kanter och rörliga delar. Skadade eller tilltrasslade sladdar ökar risken för elektrisk stöt.
- e) Vid användning av motordrivna verktyg utomhus, använd en förlängningskabel som är avsedd för utomhusbruk. Användning av en sladd som passar för utomhusanvändning minskar risken för elektrisk stöt.
- f) Om du måste använda ett motordrivet verktyg i en fuktig miljö, använd en jordfelsbrytare. En jordfelsbrytare minskar risken för elektriska stötar.

3) PERSONLIG SÄKERHET

- a) **Var uppmärksam och observant samt använd sunt förnuft när du använder ett elverktyg. Använd inte ett motordrivet verktyg om du är trött eller under påverkan av droger, alkohol eller medicin.** Ett ögonblick av uppmärksamhet under arbete med elverktyg kan resultera i allvarliga personskador.
- b) **Använd personlig skyddsutrustning. Använd alltid skyddsglasögon.** Minska risken för personskador genom att använda skyddsutrustning som t.ex. ansiktsmask, halkfria skyddsskor, hjälm och hörselskydd.
- c) **Förebygg oavsiktlig start. Se till att strömbrytaren är i frånläge innan du ansluter till strömkällan och/eller batteripaketet, plockar upp eller bär verktyget.** Att bära elverktyget med fingret på strömbrytaren eller verktyg som är påslagna inbjuder till olyckor.
- d) **Ta bort inställningsnycklar eller skiftnycklar innan elverktyget slås på.** En skiftnyckel eller en nyckel som sitter kvar på en roterande del av elverktyget kan resultera i personskada.
- e) **Sträck dig inte för långt. Ha ordentligt fotfäste och balans hela tiden.** Detta möjliggör bättre kontroll av elverktyget i oväntade situationer.
- f) **Håll hår och klädsel på avstånd från de rörliga delarna.** Löst sittande kläder, smycken och långt hår kan fastna i de rörliga delarna.
- g) **Om enheter har anslutning för dammuppsamlare och anslutningsmöjligheter, se till att de är anslutna och används på korrekt sätt.** Användning av dammuppsamlare kan minska dammrelaterade faror.
- h) **Var alltid uppmärksam vid användning av verktyget, även efter många användningstillfällen, och ignorera inte verktygets säkerhetsprinciper.** En vårdslös handling kan orsaka allvarliga personskador inom bråkdelen av en sekund.

4) ANVÄNDNING OCH SKÖTSEL AV ELVERKTYG

- a) **Tvinga inte elverktyget. Använd ett korrekt elverktyg för ditt arbete.** Ett korrekt elverktyg utför jobbet bättre och säkrare om det används för rätt arbete.
- b) **Använd inte elverktyget om strömbrytaren inte kan slås på eller stängas av.** Ett elverktyg som inte kan kontrolleras med strömbrytaren är farligt och måste repareras.
- c) **Koppla ur stickkontakten från strömkällan och/eller ta bort batteripaketet, om det är löstagbart, från elverktyget innan du utför justeringar, byter tillbehör eller förvarar elverktyget.** Dessa förebyggande säkerhetsåtgärder minskar risken för att elverktyget startas oavsiktligt.
- d) **Förvara elverktyg som går på tomgång utom räckhåll för barn och låt inte personer som är ovana med elverktyget eller dessa instruktioner använda elverktyget.** Elverktyg är farliga i händerna på utbildade användare.
- e) **Underhåll av elverktyg och tillbehör. Kontrollera felinställningar eller om rörliga delar har fastnat, bristning hos delar och andra eventuella förhållanden som kan komma att påverka elverktygets funktion. Om skadad, lämna in elverktyget för reparation innan det används.** Många olyckor beror på dåligt underhållna elverktyg.
- f) **Håll kapverktyg vassa och rena.** Ordentligt underhållna kapverktyg med vassa sågkanter är mindre

sannolika att fastna och är lättare att kontrollera.

- g) **Använd elverktyget, tillbehör, verktygsbits osv. i enlighet med dessa instruktioner och ta hänsyn till arbetsförhållanden och det arbete som ska utföras.** Om elverktyget används för andra arbeten än det är avsett för kan det resultera i farliga situationer.
- h) **Håll handtagen och greppytorna torra, rena och fria från olja och fett.** Hala handtag och greppytor förhindrar säker hantering och kontroll av verktyget vid oväntade situationer.
- 5) **ANVÄNDNING OCH SKÖTSEL AV BATTERIDRIVET VERKTYG**
- a) **Ladda endast med den laddare som rekommenderas av tillverkaren.** En laddare som är lämplig för en typ av batteripaket kan skapa en risk för brand när den används med ett annat batteripaket.
- b) **Använd endast elverktyg med deras särskilt avsedda batteripaket.** Användning av andra batteripaket kan medföra risk för personskador och eld.
- c) **När batteripaket inte används bör det hållas borta från andra metallföremål som gem, mynt, nycklar, spikar, skruvar och andra små metallföremål som kan skapa kontakt mellan de två polerna.** Kortslutning av batteriets terminaler kan orsaka brännskador eller en brand.
- d) **Under olämpliga förhållanden kan vätska spruta ut från batteriet. Undvik kontakt. Vid oavsiktlig kontakt, spola med vatten. Om vätskan kommer i kontakt med ögonen, sök också läkarhjälp.** Vätska som sprutar ur batteriet kan orsaka sveda och brännskador.
- e) **Använd inte ett batteripaket eller verktyg som skadats eller modifierats.** Skadade eller modifierade batterier kan leda till oförutsägbart uppträdande som leder till brand, explosion eller risk för personskador.
- f) **Utsätt inte batteripaketet eller verktyget för eld eller extrema temperaturer.** Exponering av eld eller temperaturer över 130 °C kan orsaka explosion.
- g) **Följ alla laddningsinstruktioner och ladda inte batteripaketet eller verktyget utanför det temperaturområde som anges i instruktionerna.** Felaktig laddning eller vid temperaturer utanför angivet temperaturområde kan skada batteriet och ökar risken för brand.
- 6) **SERVICE**
- a) **Lämna ditt elverktyg för service hos en kvalificerad servicetekniker som endast använder identiska utbytesdelar.** Det garanterar att säkerheten hos elverktygets bibehålls.
- b) **Utför aldrig service på skadade batteripaket.** Service av batteripaket bör endast utföras av tillverkaren eller auktoriserade serviceverkstäder.

SÄKERHETSANVISNINGAR FÖR CIRKELSÄGAR

Sågprocedurer

- a) **FARA: Håll händerna borta från sågområdet och klingan.** Om båda händerna håller i sågen kan de inte skäras av klingan.
- b) **Sträck dig inte under arbetsstycket.** Skyddet kan inte skydda dig från klingan under arbetsstycket.
- c) **Justera sågdjupet efter arbetsstyckets tjocklek.**

Mindre än en hel tand på klingtänderna ska synas under arbetsstycket.

- d) **Håll aldrig arbetsstycket i händerna eller över benet medan du sågar. Fäst arbetsstycket på en stabil plattform.** Det är viktigt att stödja arbetet ordentligt för att minimera kroppsexponering, klingkärvning eller tappad kontroll.
- e) **Håll endast elverkytiet i de isolerade greppytorna när arbete utförs där sågtillbehöret kan komma i kontakt med dolda elledningar.** Om sågklingan kommer i kontakt med en strömförande ledning kan de exponerade metalldelarna på elverkytiet bli strömförande, vilket kan resultera i att operatören utsätts för elektriska stötar.
- f) **Använd alltid ett klyvanslag eller rak kantstyrning vid klyvning.** Detta förbättrar sågningens noggrannhet och minskar risken för klingkärvning.
- g) **Använd alltid sågklingor med korrekt storlek och form (diamant jämfört med rund) på centrumhålen.** Sågklingor som inte matchar monteringshårdvaran på sågen kommer att köras excentriskt och göra att kontrollen förloras.
- h) **Använd aldrig skadade eller felaktiga klingbrickor eller bultar.** Klingbrickorna och bulten var speciellt utformade för din såg för optimal prestanda och driftsäkerhet.

Rekylorsaker och relaterade varningar

- Rekyl är en plötslig reaktion på ett klämt, fastnat eller felriktad sågklinga, vilket får en okontrollerad såg att lyfta upp och ut ur arbetsstycket mot operatören;
- När klingan kläms fast eller kläms fast genom att tappen stängs, stannar klingan och motorreaktionen driver enheten snabbt tillbaka mot operatören;
- Om klingan blir vriden eller feljusterad i snittet kan tänderna på klingans bakkant gräva in i träets ovsida vilket gör att klingan klättrar ur tappen och hoppar tillbaka mot operatören.

Rekyl är resultatet av felanvändning av verktyget och/eller felaktiga arbetsprocedurer eller arbetsförhållanden och kan undvikas genom att vidta ordentliga försiktighetsåtgärder så som beskrivs här nedan:

- a) **Håll ett stadigt grepp om sågen och placera dina armar för att motstå rekylkrafter. Placera din kropp på ena sidan av klingan, men inte i linje med klingan.** Bakslag kan få sågen att hoppa bakåt, men rekylkrafterna kan kontrolleras av operatören om lämpliga försiktighetsåtgärder vidtas.
- b) **När klingan kärvar, eller när ett snitt avbryts av någon anledning, släpp avtryckaren och håll sågen orörlig i materialet tills klingan stannar helt. Försök aldrig att ta bort sågen från arbetet eller dra sågen bakåt medan klingan är i rörelse eller det kan uppstå rekyl.** Undersök och vidta korrigerande åtgärder för att eliminera orsaken till klingkärvning.
- c) **När du startar om en såg i arbetsstycket, centrerar du sågklingan i tappen så att sågtänderna inte fastnar i materialet.** Om en sågklinga kärvar kan det gå upp eller backa från arbetsstycket när sågen startas om.
- d) **Stöd stora panelskivor för att minimera risken för klämning av klingor och rekyl.** Stora panelskivor

tenderar att sjunka under sin egen vikt. Stöd måste placeras under panelen på båda sidor, nära snittlinjen och nära panelens kant.

- e) **Använd inte slöa eller skadade blad.** Slöa eller felaktigt inställda sågklingor ger ett smalt sågspår vilket skapar överdriven friktion, käreande klinga och rekyl.
- f) **Låsspakar för klingdjup och fassagningsinställning måste vara åtdragna och säkra innan snittet görs.** Om klingjusteringen ändras under sågningen kan det orsaka kärvning och rekyl.
- g) **Var extra försiktig vid sågning i befintliga väggar eller andra blinda områden.** Den utskjutande klingan kan såga föremål som kan orsaka rekyl.

Nedre skyddsfunktion

- a) **Kontrollera att det nedre skyddet stänger ordentligt före varje användning. Använd inte sågen om det nedre skyddet inte rör sig fritt och stängs direkt. Kläm eller bind aldrig det nedre skyddet i öppet läge.** Om sågen tappas av misstag kan det nedre skyddet böjas. Hög det nedre skyddet med infällningshandtaget och se till att det rör sig fritt och inte vidrör klingan eller någon annan del, i alla vinklar och sågdjup.
- b) **Kontrollera den nedre skyddsfjäders funktion. Om skyddet och fjädern inte fungerar korrekt måste de underhållas före användning.** Nedre skydd kan fungera trögt på grund av skadade delar, gummiavlagringar eller ansamling av skräp.
- c) **Det underre skyddet får dras in manuellt endast för speciella sågningar som "instickssägningar" och "sammansatta snitt". Lyft det nedre skyddet med det infällbara handtaget och så snart klingan kommer in i materialet måste det nedre skyddet släppas.** För all annan sågning ska det nedre skyddet fungera automatiskt.
- d) **Se alltid till att det nedre skyddet täcker klingan ladet innan du lägger ner sågen på bänk eller golv.** En oskyddad, snurrande klinga kommer att få sågen att gå bakåt och såga vad som är i dess väg. Var medveten om den tid det tar innan klingan stannar efter att omkopplaren släppts.

EXTRA SÄKERHETSANVISNINGAR

ALLMÄNT

- Den här maskinen ska inte användas av personer under 16 år
- Denna maskin är inte lämplig till vätsågning
- **Asbesthaltigt material får inte bearbetas (asbest anses vara cancerframkallande)**
- Viss typ av damm, exempelvis färg som innehåller bly, vissa träsorter, mineraler och metaller kan vara hälsovådliga om de inhaleras (hudkontakt eller inhalering kan ge allergisk reaktion och/eller luftvägsproblem/sjukdom hos personer i närheten); **använd andningsskydd och arbeta med en dammuppsamlare om sådan anslutning finns**
- Vissa typer av damm är klassificerade så som cancerframkallande (t.ex. ek- och björkdamm) särskilt i kombination med tillsatser för träbehandling; **använd andningsskydd och arbeta med en**

dammuppsamlare om sådan anslutning finns

- Följ de nationella krav, som finns angående damm, för de material du skall arbeta med
- Använd inte den här sägen tillsammans med ett sågbord
- titta aldrig ner i luftutsläppet/munstycket

TILLBEHÖR

- SKIL kan endast garantera att maskinen fungerar felritt om originaltillbehör används
- Använd endast sågklingor som motsvarar de i instruktionsboken angivna specifikationerna, som testats och märkts enligt EN 847-1 och avsetts för trä och träliknande material.
- Använd endast tillbehör vilkas tillåtna varvtal åtminstone motsvarar maskinens högsta tomgångsvarvtal
- **Använd endast sågklingor med en minsta diameter på 115 mm, en största diameter på 120 mm och ett spindelhål på 9,5 mm**
- Använd aldrig slipskivor till denna maskin
- Hantera och förvara tillbehör med försiktighet
- Identifiera rätt sågklinga som ska användas för materialet som ska sågas.

FÖRE ANVÄNDNINGEN

- Undvik skador genom att ta bort skruvar, spikar eller andra föremål ur arbetsstycket; ta dem bort innan du startar ett arbete
- Se till att arbetsområdet är fritt från föremål innan du startar arbetet
- **Sätt fast arbetsstycket** (ett arbetsstycke fastsatt med skruvtingar eller i ett skruvstöd är mera stabilt än om det hålls fast för hand)
- **Använd lämpliga detektorer för lokalisering av dolda försörjningsledningar eller ring det lokala distributionsföretaget** (kontakt med elledning kan förorsaka brand och elstöt; en skadad gasledning kan leda till explosion; borrhning i vattenledning kan förorsaka egendomsskador eller elstöt)

UNDER ANVÄNDNINGEN

- Ljudnivån vid arbete kan överskrida 85 dB(A); använd hörselskydd
- Använd aldrig din maskin utan maskinens original säkerhetsdetaljer
- Såga ej extremt små arbetsstycken
- Använd aldrig din maskin ovanför huvudet
- I händelse av fastklämning eller elektriska eller mekaniska funktionsfel, stäng genast av maskinen och ta bort batteriet.

EFTER ANVÄNDNINGEN

- När du ställer ifrån dig maskinen måste motorn vara fränslagen och de rörliga delarna ska ha stannat fullständigt
- Efter att maskinen blivit avstängd, försök aldrig att stoppa rotationen genom att pressa något mot bladet, utan låt den stanna av sig självt

BATTERIER

- Det medföljande batteriet är delvis laddat (i syfte att garantera batteriets fulla kapacitet ska det laddas fullt i batteriladdaren innan verktyget används för första gången)
- Använd endast följande batterier och laddare med det här verktyget
 - SKIL-batteri: BR1*31****
 - SKIL-laddare: CR1*31****
- Använd inte batteriet om det är skadat; det ska bytas ut
- Demontera inte batteriet
- Utsätt inte verktyget/batteriet för regn

- Tillåten omgivningstemperatur (verktyg/laddare/batteri):
 - vid laddning 4...40 °C
 - vid drift -20...+50 °C
 - vid förvaring -20...+50 °C

FÖRKLARING AV SYMBOLER PÅ VERKTYGET/ BATTERIET

- ③ Läs bruksanvisningen före användning
- ④ Batterierna kan explodera om de utsätts för eld så bränn inte batteriet av något skäl
- ⑤ Förvara verktyget/laddaren/batteriet i lokaler, där temperaturen inte överstiger 50 °C
- ⑥ Kasta inte elektriska verktyg och batterier i hushållssoptorna

ANVÄNDNING

- Laddning av batteri
 - ! läs säkerhetsvarningarna och anvisningarna som medföljde laddaren**
- Borttagning/installation av batteriet ②
- Batterinivåindikator ⑦
 - tryck på indikatorknappen AB för batterinivå för att visa aktuell batterinivå ⑦a
 - ! när den lägsta nivån hos batteriindikatorn börjar blinka efter att knappen AB ⑦b tryckts in är batteriet tomt**
 - ! när två nivåer av batteriindikatorn börjar blinka efter att knappen AB ⑦c tryckts in är inte batteriet inom tillåtet drifttemperaturområde**
- LED-lampa T⑧
 - LED-lampan tänds automatiskt när verktyget börjar köras
 - ! när LED-lampan börjar att blinka, är batteriskyddet aktiverat (se nedan)**
- Batteriskydd
 - Verktyget stängs plötsligt av eller förhindras att startas när
 - **belastningen är alltför hög --> ta bort belastning och starta om**
 - **batteriets temperatur är inte inom tillåtet drifttemperaturområde på -20 till +50 °C --> två nivåer på batteriindikatorns nivåindikator börjar blinka när knappen AB 7c trycks in; vänta tills batteriet har återgått till tillåtet drifttemperaturområde**
 - **batteriet är nästan tomt (för att skydda mot djup urladdning) --> en låg batterinivå eller blinkande låg batterinivå ub visas av indikatorn för batterinivån när knappen AB trycks in; ladda batteriet**
 - ! fortsätt inte trycka på strömbrytaren efter att verktyget stängts av automatiskt; batteriet kan skadas**
- Montering av sågbladet ②
 - ! ta bort batteriet från verktyget**
 - ta ut insexnyckeln från förvaringsutrymmet B
 - tryck in spindellåsknappen och håll den intryckt medan du avlägsnar bladbulen AA genom att vrida insexnyckeln A MEDURS (= i samma riktning som pilen på sågklingan)
 - ! tryck endast på spindellåsknappen F när verktyget är stillastående**
 - släpp spindellåsknappen F
 - ta bort flänsen Z
 - ! se till att klämyrtorna X på flänsarna är helt rena och vända mot klingan**
 - öppna nedre skyddet W med spaken S och håll det

medan du monter sågklingan med sågtänder och pilen som är tryckt på sågklingan pekande i samma riktning som pilen på övre skyddet

- släpp nedre skyddet W
- monteringsfläns Z

- tryck på spindellåsknappen F medan du drar åt klingbulten med insexnyckeln 1/8 varv mer än fingerkraft (möjliggör slirning av sågklingan vid sågning med hårt sågmotstånd och minskar överbelastning på motorn samt motverkar rekyler)

- släpp spindellåsknappen F

- Justering av sågdjup (0-41 mm) ⑨

- för optimal sågning skall ej sågbladet överstiga mer än 3 mm under arbetsstycket

- lossa ratten Q

- tryck upp/ned foten M till önskat sågdjup på skalan genom användande av indikatorn P

- dra åt ratten Q

- Justering av sågvinkel (0-45°) ⑩

- lossa ratten U

- luta maskinen till önskad sågvinkel på skalan genom användande av indikatorn V

- dra åt ratten U

! vid fassågning, överensstämmer inte sågdjup med värdet på sågdjupsskalan

- Såglinjeindikator L ⑪

- för att föra maskinen längs önskad såglinje markerat på arbetsstycket

- för rak 0° sågning eller 45° vinkelsågning använd angående indikatorlinjen

! den breda delen av foten skall vila på den stödjande delen av arbetsstycket

! sågbredd är fastställd av bredden på sågtänderna och ej på bredden av klingkroppen

! gör alltid en provsågning först för att fastställa den verkliga såglinjen

- Dammsugning ⑫

För användning med dammsugare

- anslut dammsugarsslangen till dammsugaradaptorn H

! låt ej dammsugarsslangen hindra undre klingskyddet eller sågarbetet

! använd inte dammsugare för sågning i metall

- Använda verktyget

- montera batteri

- håll alltid handtag C stadigt

- placera maskinen med fotplattans framsida plant på arbetsstycket

! se till att sågtänderna ej går emot arbetsstycket

- starta maskinen genom att först trycka in knappen E (= säkerhetsströmbrytare som ej kan låsas) och därefter avtryckaren D

! maskinen skall ha nått max. varvtal innan klingan kommer i kontakt med arbetsstycket

- det nedre klingskyddet öppnas automatiskt när sågklingan kommer i kontakt med arbetsstycket (öppna klingskyddet manuellt genom att föra undan det med spaken S endast för speciell sågning som instickssägning)

! överbelasta inte maskinen (använd lätt och jämnt tryck för att undvika överhettning av klingspetsarna)

! under arbetet, håll alltid verktyget i greppområdet

- när du är färdig, stäng av maskinen genom att släppa

avtryckaren D

! försäkra dig om att bladet helt har stannat innan maskinen lyfts från arbetsstycket

ANVÄNDNINGSTIPS

- Lägg alltid den finaste sidan av arbetsstycket nedåt för att möjliggöra minimum av flisning vid sågning av trä och träliknande material.

- Sägprenstanda och sågkvalitet beror huvudsakligen på skicket och antalet tänder på sågklingan.

- Använd endast vassa sågklingor som är lämpade för det material som sägas ⑬

- använd sågklingor av härdat stål AC ② för sågning av trä, aluminium, plast och alla sorter av laminerat trä

- använd diamanstkivan AD ② för sågning av keramik och kakel

- hårdmetallklingor Y ② förblir vassa upp till 30 gånger längre än ordinarie klingor

- Parallellguide J ⑭

- för exakt sågning längs arbetsstyckets kanter

- förs in genom skårorna i den främre änden av foten Justering av parallellguide

- lossa skruven K med insexnyckel A

- justera till önskad sågbredd med hjälp av skalan på parallellguiden (använd siktskårens indikator L som 0-referens)

- dra åt skruven K

- Instickssägning ⑮

- ställ in önskat sågdjup

- luta maskinen framåt med siktskårens indikator L i linje med önskad såglinje som finns markerad på arbetsstycket

- öppna nedre skyddet W med spaken S

- starta maskinen innan bladet kommer i kontakt med arbetsstycket och gradvis sänker bakkdelen av maskinen i arbetsstycket genom att använda främre delen av foten som stöd

- föra maskinen gradvis nedåt och framåt

- så fort som sågklingan går in i materialet, släpp spak S

! dra aldrig maskinen bakåt

- Sågning av stora paneler ⑯

- stöd panel nära sågning på ett golv, bord eller arbetsbänk

! ställ in sågdjup så att du sågar genom panelen och ej genom stödet

- om parallellguiden är för kort för önskad sågbredd ska du klämma eller spika fast en rak träbit på arbetsstycket som ett anhäl och använda vänstra sidan av foten mot anhället ⑰

- Besök www.skil.com för mer information

UNDERHÅLL/SERVICE

- Det här verktyget är inte avsedd för yrkesmässig användning

- Håll alltid verktyget rent (i synnerhet ventilationsöppningarna N)


! ta bort batteriet från verktyget före rengöring

- Håll alltid området runt det nedre skyddet W ② rent (ta bort damm och spån genom att blåsa bort det med tryckluft eller med en borste)

- Rengör sågbladet direkt efter användning (speciellt efter kåda och lim)

- Om i elværktøjet trots exakt tillverkning och sträng kontroll störning skulle uppstå, bör reparation utföras av auktoriserad serviceverkstad för SKIL elværktøj - skicka værktøjet odemonterat tillsammans med inköpsbevis till försäljaren eller till närmaste SKIL serviceverkstad (adresser samt sprängskisser av værktøjet finns på www.skil.com)
- Observera att skada till följd av ovarsamhet eller överbelastning inte täcks av garantin (för SKIL garantivillkor gå till www.skil.com eller fråga återförsäljaren)

MILJÖ

- Elektriska værktøj, batterier, tillbehör och förpackning får inte kastas i hushållssoporna (gäller endast EU-länder)
 - enligt europeiska direktivet 2012/19/EG avseende avfall från elektrisk och elektronisk utrustning och dess tillämpning enligt nationell lagstiftning ska uttjänta elektriska værktøj sorteras separat och lämnas till miljövänlig återvinning
 - symbolen  kommer att påminna om detta när det är dags för avyttring
- ! före avyttring av batterierna, tejsa kontaktytorna med kraftig tejsa för att undvika kortslutning

BULLER/VIBRATION


- Det här værktøjets ljudtrycksnivå som uppmätts i enlighet med EN62841 och ljudtrycksnivån för detta værktøj är 96 dB(A) och ljudeffektnivån 107 dB(A) (osäkerhet K = 3 dB) och vibrationen (triaxvektorsumma; osäkerhet K = 1,5 m/s²)
 - * sågning i trä < 2,5 m/s²
 - * sågning av metall < 2,5 m/s²
- Vibrationsemissionsvärdet har uppmätts enligt ett standardiserat test i enlighet med EN 62841; detta värde kan användas för att jämföra vibrationen hos olika værktøj och som en ungefärlig uppskattning av hur stor vibration användaren utsätts för när værktøjet används enligt det avsedda syftet
 - om værktøjet används för annat arbete än det avsedda syftet eller med fel eller dåligt underhållna tillbehör kan detta drastiskt öka exponeringsnivån
 - när værktøjet stängts av eller körs men inte utför arbetet, kan detta avsevärt minska exponeringsnivån
- ! skydda dig mot effekterna av vibrationer genom att underhålla værktøjet och dess tillbehör, hålla händerna varma och organisera ditt arbetsmönster

DK

**Børsteløs kompakt
multisav**

3540

INTRODUKTION

- Dette værktøj er beregnet til længde- og tværgående savning af træ, spånplader, krydsfiner, aluminium, fliser, sten, plast og lette byggematerialer. Værktøjet kan save i lige snit samt vinkelsnit op til 45
- Dette værktøj er ikke beregnet til professionelt brug.
- Læs og gem denne brugsanvisning. 

TEKNISKE DATA

VÆRKTØJETS DELE

- A Sekskantnøgle
- B Opbevaring for stiftnøgle
- C Håndtag
- D Gashåndtag
- E Sikkerhedsafbryder
- F Spindellåseknop
- G Åbning til støvduststødning
- H Støvsugeradaptore
- J Sidestyr
- K Skrue til justering af save-gærde
- L Savlinjeindikator
- M Fodplade
- N Ventilationshuller
- P Indikator for skæredybde
- Q Knap til indstilling af savdybde
- R Øverste afskærmning
- S Arm til åbning af nederste afskærmning
- T LED-lys
- U Knap til justering af skærevinkel
- V Indikator for skærevinkel
- W Nederste afskærmning
- X Klemmeblade
- Y Hårdmetalsavklinge
- Z Flange
- AA Klingebolt
- AB Knap til batteriniveau-indikator
- AC Hærdede stålsavklinge
- AD Diamantskive

SIKKERHED

GENERELLE SIKKERHEDSADVARSLER OM ELEKTRISKE APPARATER

 **ADVARSEL** Læs alle sikkerhedsadvarsler, anvisninger, billeder og specifikationer, der følger med dette elværktøj. Hvis anvisningerne nedenfor ikke følges, kan det føre til elektrisk stød, brand og/eller alvorlig personskade.

Gem alle advarsler og instruktioner til fremtidig reference.

Udtrykket »elværktøj« i advarslerne henviser til eldrevet (ledningsforbundet) og batteridrevet (ledningsfrit) elværktøj.

1) SIKKERHED PÅ ARBEJDSPLADSEN

- a) Sørg for, at arbejdsområdet er rent og godt belyst. Et rodet eller mørkt område kan føre til ulykker.
 - b) Brug ikke elværktøj i eksplosive atmosfærer, såsom ved tilstedeværelse af brændbare væsker, gasser eller støv. Elværktøj kan slå gnister og antænde støv og dampe.
 - c) Hold børn og tilskuere på afstand, når et elværktøj er i brug. Distractioner kan medføre, at du mister kontrollen.
- ### 2) SIKKERHED OMKRING ELEKTRICITET
- a) Stikket på elværktøjet skal passe i stikkontakten. Stikket må på ingen måde ændres. Brug ikke

- adapterstik sammen med jordede (jordforbundne) elværktøj.** Uændrede stik, der passer til stikkontakterne, nedsætter risikoen for elektrisk stød.
- b) Udgå kropskontakt med jordforbundne overflader, såsom rør, radiatorer, komfurer og køleskabe.** Der er øget risiko for elektrisk stød, hvis din krop er jordforbundet.
- c) Elværktøj må ikke udsættes for regn eller våde forhold.** Vand kommer ind et elværktøj øger risikoen for elektrisk stød.
- d) Ledningen må ikke mishandles. Brug aldrig ledningen til at bære eller trække elværktøjet eller til at trække stikket ud af stikkontakten. Hold ledningen væk fra varme, olie, skarpe kanter og bevægelige dele.** Beskadigede eller sammenfiltrede ledninger, øger risikoen for elektrisk stød.
- e) Når et elværktøj bruges udendørs, skal der bruges en forlængerledning, der er egnet til udendørs brug.** Brug af en egnet ledning til udendørs brug, reducerer risikoen for elektrisk stød.
- f) Hvis det ikke kan undgås at benytte apparatet i fugtige omgivelser, så brug et stik med fejlstrømsrelæ.** Anvendelse af et fejlstrømsrelæ mindsker risikoen for elektrisk stød.
- 3) PERSONAL SAFETY**
- a) Vær forsigtig, hold øje med hvad du laver, og brug din sunde fornuft, når du bruger et elværktøj. Brug ikke apparatet, hvis du er træt eller er påvirket af narkotika, alkohol eller medicin.** Et øjeblikvis uopmærksomhed, kan føre til alvorlige personskader.
- b) Brug personligt beskyttelsesudstyr. Brug altid beskyttelsesbriller.** Værnemidler, såsom støvmaske, skridsikre sikkerhedssko, hjelm eller høreværn, der anvendes under passende betingelser, nedsætter risikoen for personskade.
- c) Forhindre utilsigtet start. Sørg for, at tænd/slukknappen er slukket, inden apparatet slutes til strømkilden eller batteripakken, samt inden det løftes op eller bæres rundt.** Hvis elværktøjet bæres med fingren på kontakten, eller oplades med tænd/slukknappen tændt, øger det risikoen for ulykker.
- d) Fjern indstillingsværktøj eller skruenøgler, før elværktøjet startes.** En skruenøgle eller en nøgle sidder i en roterende del af elektrisk værktøj, kan resultere i personskade.
- e) Undgå at række for langt frem. Sørg altid for at stå ordentligt fast og i god balance.** Dette giver bedre kontrol af det elektriske værktøj når uventede situationer.
- f) Hold hår og tøj fra bevægelige dele.** Løstsiddende tøj, smykker eller langt hår kan komme i klemme i bevægelige dele.
- g) Hvis der monteres tilbehør til opsamling af støv eller andet, skal det sikres, at disse monteres og bruges korrekt.** Brug af støvindsamlingsenheder, kan reducere støv-relaterede risici.
- h) Selvom du ofte bruger og har et godt kendskab til værktøjet, må du ikke være overmodig eller glemme sikkerhedsprincipperne.** En uagtsom handling kan forårsage alvorlig skade i en brøkdæl af et sekund.
- 4) BRUG OG PLEJE AF ELVÆRKTØJET**
- a) Elværktøjet må ikke tvinges under brug.** Brug det korrekte elværktøj til formålet. Det rigtige elværktøj gør arbejdet bedre og mere sikkert, da det er beregnet

til formålet.

- b) Brug ikke elværktøjet, hvis kontakten ikke kan tænde og slukke.** Alt elværktøj, hvor kontakten ikke tænder, er farligt og skal repareres.
- c) Træk stikket til apparatets strømforsyning ud af stikkontakten og/eller fjern batteripakken hvis dette er muligt, inden du foretager justeringer, skifter tilbehør eller lægger elværktøjet til opbevaring.** Sådanne forebyggende sikkerhedsforanstaltninger mindsker risikoen for at starte elværktøjet utilsigtet.
- d) Opbevar elværktøj, der ikke bruges, utilgængeligt for børn, og tillad ikke personer, der ikke kender elværktøjet eller disse anvisninger, at bruge elværktøjet.** Elværktøj er farligt i hænderne på brugere, der ikke ved, hvordan det skal bruges.
- e) Vedligehold elværktøj og tilbehør. Kontroller, at de bevægelige dele ikke er fejljusterede eller binder eller er i en tilstand, der kan påvirke elværktøjets drift. Få beskadigede elværktøjet repareret før brug.** Mange ulykker er forårsaget af dårligt vedligeholdt elværktøj.
- f) Hold skæreværktøj skarpe og rene.** Skæreværktøjer med skarpe kanter, der vedligeholdes ordentligt, er mindre tilbøjelige til at binde og er lettere at styre.
- g) Elværktøjet, tilbehør og bits osv. skal bruges i overensstemmelse med disse instruktioner, hvor arbejdsforholdene og arbejdet, der skal udføres, skal tages i betragtning.** Anvendelse af elværktøj til andre formål end dem, de er beregnet til, kan medføre en farlig situation.
- h) Hold håndtag og gribeblader tørre, rene og fri for olie og fedt.** Glatte håndtag og glatte overflader, der holdes i, gør værktøjet farligt at bruge i uventede situationer.
- 5) BRUG OG PLEJE AF BATTERIVÆRKTØJER**
- a) Genoplad kun med opladeren er angivet af fabrikanten.** Hvis en oplader, der er egnet til én slags batteri, bruges med en anden slags batteri, kan det føre til brand.
- b) Anvend kun elektrisk værktøj med særligt udpegede batteripakker.** Brug af andre batterier kan skabe risiko for personskade og brand.
- c) Når batteriet ikke er i brug, skal den holdes væk fra andre metalgenstande som papirclips, mønter, nøgler, søm, skruer eller andre små metalgenstande, der kan skabe forbindelse fra en pol til en anden.** Shorting batteripolerne sammen kan forårsage forbrændinger eller brand.
- d) Ved forkert brug kan der slippe væske ud af batteriet: Undgå kontakt. Hvis det alligevel skulle ske, skylles med vand. Hvis væsken kommer i øjnene, skal man også søge læge.** Væske fra batteriet kan forårsage irritation eller forbrændinger.
- e) Anvend ikke et batteri eller et værktøj, der er beskadiget eller modificeret.** Beskadigede eller modificerede batterier kan opføre sig uforudsigeligt og forårsage brand, eksplosion eller risiko for personskade.
- f) Udsæt ikke et batteri eller et værktøj for ild eller for høj temperatur.** Udsættelse for ild eller temperaturer over 130°C kan forårsage eksplosion.
- g) Følg alle anvisninger vedrørende opladning, og oplad ikke batteriet eller værktøjet uden for temperaturområdet angivet i anvisningerne.** Forkert opladning eller temperaturer uden for det angivne

område kan beskadige batteriet og øge risikoen for brand.

6) SERVICE

- a) **Have your power tool serviced by a qualified repair person using only identical replacement parts.** This will ensure that the safety of the power tool is maintained.
- b) **Never service damaged battery packs.** Service of battery packs should only be performed by the manufacturer or authorized service providers.

SIKKERHEDSINSTRUKTIONER TIL RUNDSAVE

Skæringsprocedurer

- a) **FARE: Hold hænder og fødder væk fra skæreområdet og klingens.** Hvis begge hænder holder på saven, kan de ikke skæres af klingens.
- b) **Ræk ikke ind under emnet.** Skærmen beskytter dig ikke mod klingens under emnet.
- c) **Juster skæredybden, så den passer til emnets tykkelse.** Man skal kunne se mindre en hel tand på klingens under emnet.
- d) **Hold aldrig emnet i med hænderne eller over benene, når du skærer. Spænd emnet fast til en stabil platform.** Det er vigtigt, at spænde emnet ordentligt fast for, at kroppen ikke er i risiko, og klingens ikke binder eller du mister kontrol over emnet.
- e) **Hold kun elværktøjet på de isolerede gribeplader, hvis det bruges på steder, hvor det kan komme i kontakt med strømførende ledninger.** En klinge, der kommer i kontakt med en strømførende ledning, kan gøre metaldele på elværktøjet strømførende og give brugeren elektrisk stød.
- f) **Når du saver langs årene, skal du altid bruge et savbord med kantstyr eller et lige kantstyr.** Dette forbedrer snittets nøjagtighed og reducerer chancen for at klingens binder.
- g) **Brug altid klinger med et akselhul i den korrekte størrelse og form (diamantformet eller rund).** Klinger, der ikke passer til savens monteringsbeslag, vil køre ujævnt og medføre tab af kontrol.
- h) **Brug aldrig beskadigede eller forkerte klinger eller bolte.** Klingens spændeskiver og bolt er fremstillet særligt til denne sav, så den virker optimal og sikkert.

Årsager til tilbageslag og advarsler i forbindelse hermed

- Tilbageslag er en pludselig reaktion på en fastklemt eller skævt-siddende savklinge, der gør at en ukontrolleret sav slynges opad, ud af emnet og mod brugeren.
- Hvis klingens fastklemmes eller sætter sig fast ved at savsnittet lukker sig, går klingens i stå og motorens reaktion slynger værktøjet hurtigt tilbage mod brugeren.
- Hvis klingens vrides eller sidder skævt i savsnittet, kan tænderne på klingens bagkant grave sig ind i træets overflade, så klingens slynges ud af savsnittet, og tilbage mod brugeren.

Tilbageslag sker hvis savens misbruges og/eller bruges forkert eller i forkerte forhold. Disse kan undgås ved at tage

følgende forholdsregler i brug.

- a) **Hold et fast greb om savens, og placer armene så du modstår kraften fra eventuelle tilbageslag. Sørg for, at din krop er på en af siderne af klingens. Du må ikke være på linje med klingens.** Tilbageslag kan få savens til at springe bagud, men kraften fra tilbageslag kan styres af brugeren, hvis der træffes de rette forholdsregler.
- b) **Hvis klingens binder, eller hvis skæring af et snit skal afbrydes, skal du slippe aftrækkeren og hold savens ubevægelig i materialet, indtil klingens holder helt op med at dreje. Du må aldrig prøve, at fjerne savens fra emnet eller trække savens bagud, når klingens er i bevægelse, da dette kan føre til tilbageslag.** Undersøg, hvorfor klingens binder og find en løsning på problemet.
- c) **Hvis savens skal startes, når den er i emnet, skal du sørge for at savklingens er lige i savsnittet, og at savtænderne ikke er i kontakt med emnet.** Hvis en savklinge binder, og savens startes, kan den slynge sig selv opad og give tilbageslag fra emnet.
- d) **Store plader skal ses efter, så du minimere risikoen for, at klingens binder og derved giver tilbageslag.** Store plader har en tendens til, at hænge under deres egen vægt. Sørg for, at sætte nogen under pladen, så den støttes på begge sider, tæt på snittet og pladens kant.
- e) **Brug ikke sløve eller beskadigede klinger.** Klinger, der ikke er slebet, eller forkert indstillede savklinger laver et smalt savsnit, der binder klingens og kan føre til tilbageslag.
- f) **Klingens dybde og smigstokken skal være strammet og fastspændt, før der skæres.** Hvis klingens placering ændre sig under skæringen, kan klinge binde og give tilbageslag.
- g) **Vær ekstra forsigtig, når du saver i vægge eller andre blinde områder.** Klingens kan skære i genstande, der kan give tilbageslag.

Nedre skærmfunktion

- a) **Kontroller, at den nedre skærm lukker ordentligt før hver brug. Saven må ikke bruges, hvis den nedre skærm ikke bevæger sig frit og ikke lukker med det samme. Den nedre skærm må aldrig tvinges til, at være åben, enten ved at klemme eller fastgøre den.** Hvis savens ved et uheld falder ned, kan det bøje den nedre skærm. Løft den nedre skærm med håndtaget, og sørg for, at den bevæger sig frit og at den ikke rører klingens eller andre dele i nogen vinkler eller dybder.
- b) **Sørg for, at fjederen på den nedre skærm virker. Hvis skærmen og fjederen ikke virker ordentligt, skal de repareres før brug.** Den nedre skærm virker muligvis træt på grund af beskadigede dele, gummiarflejringer eller ophobning af skidt.
- c) **Den nedre skærm må kun trækkes tilbage manuelt, når du laver særlige snit, såsom »nedskæringer« og »sammensatte skæringer«.** Hæv den nederste skærm med håndtaget, og sænk derefter skærmen igen, så snart klingens skærer i emnet. På alle andre snit skal den nedre skærm virke automatisk.
- d) **Vær altid opmærksom på, at den nedre skærm**

dækker klingen helt, inden saven lægges på en bænk eller på gulvet. En ubeskyttet, fræserklinge får saven til at save baglæns og save i alt, hvad der er i vejen. Vær opmærksom på den tid, det tager for klingen at stoppe, når du har slippet aftrækkeren.

EKSTRA SIKKERHEDSFORSKRIFTER

GENERELT

- Dette værktøj må ikke bruges af personer under 16 år
- Dette værktøj er ikke egnet til vandsavning
- **Bearbejd ikke asbestholdigt materiale (asbest er kræftfremkaldende)**
- Støv fra materiale som f.eks. maling, der indeholder bly, nogle træsorter, mineraler og metal kan være skadeligt (kontakt med eller indånding af støvet kan forårsage allergiske reaktioner og/eller sygdomme i luftvejene hos den, der anvender værktøjet, eller hos omkringsstående). **Brug en støvmaske og arbejd med en støvudsugningsanordning, hvor en sådan kan sluttes til**
- Bestemte former for støv er klassificeret som kræftfremkaldende (som f.eks. støv fra eg og bøg) især i forbindelse med tilsætningsstoffer til træbehandling. **Brug en støvmaske og arbejd med en støvudsugningsanordning, hvor en sådan kan sluttes til**
- Følg de nationale krav, hvad angår støv, for de materialer, du ønsker at arbejde med
- Anvend ikke denne sav sammen med et savbord
- Fjern batteriet fra værktøjet, før du foretager justeringer på værktøjet eller udskifter tilbehør

TILBEHØR

- SKIL kan kun sikre en korrekt funktion af værktøjet, hvis der benyttes originalt tilbehør
- Brug kun savklinger, der svarer til de tekniske data, der er angivet i denne vejledning, og som er kontrolleret og mærket tilsvarende i henhold til EN 847-1, hvis de er beregnet til træ og træliggende materialer.
- Der må kun benyttes tilbehør, hvis godkendte omdrejningstal er mindst så højt som værktøjets max. omdrejningstal i ubelastet tilstand
- **Brug kun savklinger/afskæringsskiver med en min. diameter på 115 mm, en maks. diameter på 120 mm og et hul på 9,5 mm**
- Anvend aldrig slibeskiver til dette værktøj
- Tilbehør skal altid behandles og opbevares omhyggeligt
- Sørg for, at brug de rigtige savklinger til materialet, der skal skæres i.

INDEN BRUG

- Undgå skader forårsaget af skruer, søm eller andre materialer i arbejdsstykket; fjern disse før De begynder at arbejde
- Fjern alle genstande såvel ovenpå som nedenunder savlinien, før De begynder at save
- **Fastgør emnet** (det er sikrere at holde emner i en fastgøringsanordning eller skruestik end med hånden)
- **Anvend egnede søgeinstrumenter til at finde skjulte forsyningsledninger eller kontakt det lokale forsyningselskab** (kontakt med elektriske ledninger kan føre til brand og elektrisk stød; beskadigelse af en gasledning kan føre til eksplosion; brud på et vandør kan føre til materiel skade eller elektrisk stød)

UNDER BRUG

- Under arbejde med værktøjet kan lydniveauet overstige

85 dB(A); brug høreværn

- Brug aldrig værktøjet uden den originale beskyttelseskærm
- Forsøg ikke at save ekstremt små arbejdsstykker
- Arbejd ikke med værktøjet over hovedet
- Hvis værktøjet sætter sig fast eller i tilfælde af elektrisk eller mekanisk fejlfunktion, skal værktøjet straks slukkes og batteriet tages ud.

EFTER BRUG

- Efter endt arbejde skal afbryderen afbrydes og alle bevægelige dele være stoppet før værktøjet sættes til side
- Efter afbrydelse af rundsaven, så stop aldrig rotationen af savklingen ved et pres fra siden

BATTERIER

- Det medfølgende batteri er delvist opladet (for at sikre fuld kapacitet af batteriet skal det oplades helt i batteriopladeren, inden du anvender dit elværktøj første gang)
- Anvend kun de følgende batterier og batteriopladere, der leveres med dette værktøj
 - SKIL-batteri: BR1*31****
 - SKIL-oplader: CR1*31****
- Brug ikke batteriet, hvis det er beskadiget. Det skal udskiftes
- Adskil ikke batteriet
- Udsæt ikke værktøjet/batteriet for regn
- Tilladt omgivelsestemperatur (værktøj/oplader/batteri):
 - ved opladning 4...40°C
 - ved drift -20...+50°C
 - ved opbevaring -20...+50°C

EXPLANATION OF SYMBOLS ON TOOL/BATTERY

- ③ Læs instruktionen inden brugen
- ④ Batterier vil eksplodere, hvis de kommer i ild, så forsøg aldrig at brænde batteriet
- ⑤ Opbevar værktøj/opladeren/batteriet i et lokale, hvor temperaturen ikke overstiger 50°C
- ⑥ Elværktøj og batterier må ikke bortskaffes som almindeligt affald

BETJENING

- Opladning af batteriet
 - ! **Læs sikkerhedsadvarslerne og -anvisningerne, der følger med opladeren**
 - Montering/fjernelse af batteriet ②
 - Indikator for batteritilstand ⑦
 - Tryk på knappen for batteristand AB for at se batteriets aktuelle status ⑦a
 - ! **Når batteri-indikatorens nederste niveau blinker, når der trykkes på knappen AB ⑦b, er batteriet tomt**
 - ! **Når batteri-indikatorens 2. niveau blinker, når der trykkes på knappen AB ⑦c, er batteriet uden for den tilladte driftstemperatur.**
- LED-lys T ⑧
 - LED-lyset tændes automatisk, når værktøjet starter
 - ! **Når LED-lyset begynder at blinke, er batteribeskyttelsen slået til (se nedenfor)**
- Batteribeskyttelse
 - Værktøjet slukker eller det kan ikke tændes, når
 - **belastning er for høj** --> fjern belastningen og start værktøjet igen
 - **batteritemperaturen er ikke inden for det tilladte område på -20 til +50 °C** --> 2 af trinene på

- batteri-indikatoren begynder at blinke, når der trykkes på knappen AB 7c. Vent, indtil batteriet er tilbage inden for det tilladte temperaturområde
- **batteriet er næsten tomt (for at beskytte mod dyb afladning)** -> batteri-indikatoren viser et lavt batteriniveau eller blinkende lavt batteriniveau ub, når der trykkes på knappen AB. Oplad batteriet
 - ! **Undlad at betjene kontakten, efter at der er slukket for værktøjet, da det kan beskadige batteriet**
 - Montering af savklinge ②
 - ! **fjern batteriet fra værktøjet**
 - tag unbrakonøgle A ud af opbevaringspladsen
 - tryk på spindellåseknappen F og hold den nede, mens klingebolten AA fjernes ved at dreje unbrakonøglen A MED URET (= i samme retning som pilen, der er trykt på savklingen)
 - ! **tryk kun på spindellåseknappen F, når værktøjet ikke bevæger sig**
 - udløs spindellåseknappen F
 - fjern flangen Z
 - ! **sorg for at flangernes fastspændingsflader er helt rene og vender mod klingen**
 - åbn underskærmen med tappen og hold den fast, medens De monterer savklingen med savtænderne og pilen trykt på savklingen pegende i samme retning som pilen på overskærmen
 - udløs underskærmen W
 - monteringsflange Z
 - tryk på spindellåseknappen F og hold den nede, samtidig med at du spænder klingebolten med unbrakonøglen 1/8 omgang fingerstramt (sikrer at savklingen kan glide, når den udsættes for ekstrem modstand for at reducere motoroverbelastning og tilbagebægslag)
 - udløs spindellåseknappen F
 - Justering af skæredybde (0-41 mm)⑨
 - for at opnå et perfekt kvalitetsnit bør savklingen ikke rage mere end 3 mm nedenfor arbejdsemnet
 - løsn knoppen Q
 - løft/sænk foden M indtil den ønskede savdybde fremkommer på skalaen ved at anvende indikatoren P
 - spænd knoppen Q
 - Indstilling af savvinklen (0-45°)⑩
 - løsn knoppen U
 - tip værktøjet indtil den ønskede savvinkel fremkommer på skalaen ved at anvende indikatoren V
 - spænd knoppen U
 - ! **ved smigskæring, vil savdybden ikke svare til den angivne værdi på savdybdeskalaen**
 - Savlinjeindikator L ⑪
 - for præcis savning langs den ønskede savelinje markeret på arbejdsemnet
 - for lige savning i 0° eller 45° smigskæring, anvend da den pågældende indikatorlinje
 - ! **den bredeste del af foden bør hvile på den del af arbejdsemnet som har støtte**
 - ! **savbredden er afhængig af bredden på savtænderne og ikke af selve klingen**
 - ! **udfør altid et prøve nit, for at kontrollere den aktuelle savlinje**
 - Støvsugning ⑫
 - Ved anvendelse af støvsuger
 - slut støvsugerlangen til støvsugeradapteren H
 - ! **lad aldrig støvsugerlangen komme i kontakt med underskærmen eller savningen**
 - ! **brug ikke støvsuger ved savning i metal**
 - Betjening af værktøjet
 - monter batteri
 - hold altid ordentligt fast i håndtag C
 - placer værktøjet med forenden af fodenden fladt imod arbejdsemnet
 - ! **sorg for at savtænderne ikke griber ind i arbejdsemnet**
 - start Deres værktøj ved først at trykke knappen E (= sikkerhedsafbryder, som ikke kan låses) ind og derefter træk på afbryder D
 - ! **værktøjet skal køre med max. hastighed inden savklingen berører arbejdsemnet**
 - underskærmen W åbnes automatisk når savklingen berører arbejdsemnet (hæv kun skærmen manuelt ved hjælp af tappen S ved speciel savning f.eks. dyksavning)
 - ! **overbelast ikke værktøjet (anvend et let og vedvarende tryk for at undgå overophedning af savklinger)**
 - ! **Når værktøjet bruges, skal du altid holde værktøjet på grebene**
 - når De er færdig med savningen, sluk værktøjet ved at slippe afbryderen D
 - ! **vær sikker på, at savklingen står fuldstændigt stille, førend De løfter værktøjet væk fra arbejdsemnet**
- ## GODE RÅD
- Sørg altid for, at emnets gode side vender nedad, så du undgår splinter. Når du saver i træ eller træliggende materialer, skal du sørge for, at det splinter mindst muligt.
 - Savningen og skærekvaliteten afhænger hovedsagelig af savklings tilstand og tandantal.
 - Brug kun skarpe savklinger, der er beregnet til materialet, der skal skæres i ⑬
 - brug en hærdet stålsavklinge ② til skæring i træ, aluminium, plastik og alle former for lamineret træ
 - brug en diamantringe AD ② til skæring i keramik og fliser
 - hårdmetalsavklinger Y ② holder skæret op til 30 gange længere end alm. klinger
 - Sidestyr J ⑭
 - til præcise snit langs kanten af arbejdsemnet
 - sættes gennem åbningerne i fodens forende
 - Justering af sidestyr
 - løsne skrue K med unbrakonøglen A
 - juster til den ønskede savbredde med skalaen på sidestyr (brug savlinje-indikatoren L som 0-reference)
 - stram skruen K
 - Dyksavning ⑮
 - indstil den ønskede savdybde
 - vip værktøjet fremad med savlinje-indikatoren L på linje med den ønskede savlinje markeret på arbejdsemnet
 - åbn underskærmen W med håndtaget S
 - lige inden klingens berører arbejdsemnet, start værktøjet og sænk gradvist bagparten af værktøjet ved at benytte forenden af foden som støttepunkt
 - bevæg værktøjet gradvist nedad og samtidigt fremover
 - så snart savklingen berører arbejdsemnet, løs håndtaget S

! før aldri værktøjet bagover

- Savning af store emner ⁽¹⁶⁾
 - støt emnet tæt på snittet, enten på gulvet, bordet eller arbejdsbænken

! indstil savdybden således at De saver gennem emnet og ikke gennem det som støtter emnet

- hvis parallelstyret ikke er langt nok til den ønskede savbredde, fastgøres et lige stykke træ på arbejdsemnet som styr, og venstre side af foden anbringes imod dette styr ⁽¹⁷⁾
- Se yderligere oplysninger på www.skil.com

VEDLIGEHOLDELSE/SERVICE

- Dette værktøj er ikke beregnet til professionelt brug
- Hold altid værktøjet rent (særligt ventilationshullerne N)
- ! **Tag batteriet ud af værktøjet inden rengøring**
- Hold altid området omkring den nederste afskærmning W ⁽²⁾ rent (fjern støv og spåner ved at blæse det ud med trykluft eller med en børste)
- Rengør savklingen straks efter brug (specielt for harpiks og lim)
- Skulle elværktøjet trods omhyggelig fabrikation og kontrol skulle holde op med at fungere, skal reparationen udføres af et autoriseret serviceværksted for SKIL-elektroværktøj
 - send det ikke adskilte værktøj sammen med et købsbevis til forhandleren eller nærmeste SKIL-serviceværksted (adresser og reservedelstegning af værktøjet findes på www.skil.com)
- Husk, at beskadigelse som følge af overbelastning eller forkert håndtering af værktøjet ikke er omfattet af garantien (se www.skil.com vedrørende SKIL-garantibetingelserne, eller spørg din forhandler)

MILJØ

- Elværktøj, batterier, tilbehør og emballage må ikke bortskaffes som almindeligt affald (kun for EU-lande)
 - i henhold til det europæiske direktiv 2012/19/EF om bortskaffelse af elektriske og elektroniske produkter og gældende national lovgivning, skal brugt elværktøj indsamles separat og bortskaffes på en måde, der skåner miljøet mest muligt
 - symbolet ⁽⁶⁾ erindr dig om dette, når udskiftning er nødvendig
- ! **Beskyt batteri terminaler med bredt tape for at undgå kortslutning**

STØJ/VIBRATION

- Målt i henhold til EN62841, dette værktøjs lydtrykkniveau er 96 dB (A) og lydeffektniveauet er 107 dB (A) (usikkert K = 3 dB) og vibrationen er *(triaksvektorsum; usikkert K = 1,5 m/s²)
 - * skæring af træ < 2,5 m/s²
 - * skæring af metal < 2,5 m/s²
- Vibrationsniveauet er målt i henhold til den standardiserede test som anført i EN 62841. Det kan benyttes til at sammenligne to stykker værktøj og som en foreløbig bedømmelse af udsættelsen for vibrationer, når værktøjet anvendes til de nævnte form
 - anvendes værktøjet til andre formål eller med andet eller dårligt vedligehold tilbehør, kan dette øge udsættelsesniveauet betydeligt
 - de tidsrum, hvor værktøjet er slukket, eller hvor det

kører uden reelt at udføre noget arbejde, kan reducere udsættelsesniveauet betydeligt

! Beskyt dig selv imod virkningerne af vibrationer ved at vedligeholde værktøjet og dets tilbehør, ved at holde dine hænder varme og ved at organisere dine arbejdsmonstre

N

Børsteløs kompakt multisag

3540

INTRODUKSJON

- Dette verktøyet er beregnet for lengde- og tverrsaging av tre, sponplater, kryssfiner, aluminium, fliser, stein, plast og lette konstruksjonsmaterialer med rette kutt samt vinkelkutt opp til 45
- Dette verktøyet er ikke beregnet for profesjonell bruk.
- Les og lagre denne bruksanvisningen. ⁽³⁾

TEKNISKE DATA ⁽¹⁾

VERKTØYELEMENTER ⁽²⁾

- A Sekskantnøkkel
- B Oppbevaring for sekskantnøkkel
- C Håndtak
- D Utløserbryter
- E Sikkerhetsbryter
- F Spindellåseknapp
- G Støvsugsport
- H Støvsugeradapter
- J Parallell guide
- K Skruer for justering av parallellføring
- L Saglinje-indikator
- M Fotplate
- N Ventilasjonsåpninger
- P Indikator for kuttedybde
- Q Knapp for innstilling av kuttedybde
- R Øvre vern
- S Hendel til åpning av underskjerm
- T LED lys
- U Knapp for justering av kuttevinkel
- V Indikator for kuttevinkel
- W Underskjerm
- X Oppspenningsflate
- Y Sagblad med karbidspiss
- Z Flens
- AA Bladbolt
- AB Knapp for batterinivåindikator
- AC Sagblad i herdet stål
- AD Diamantskive

SAFETY

GENERAL POWER TOOL SAFETY WARNINGS

⚠ ADVARSEL Les alle sikkerhetsadvarsler, instruksjoner, illustrasjoner og spesifikasjoner som følger med dette elektroverktøyet. Hvis du ikke følger alle instruksjonene nedenfor, kan det føre til elektrisk støt, brann

og/eller alvorlig personskade.

Lagre alle advarsler og instruksjoner for fremtidig referanse.

Begrepet "elektrisk verktøy" i advarslene refererer til ditt nettdrevne (med ledning) elektroverktøy eller batteridrevne (trådløse) elektroverktøy.

1) SIKKERHET I ARBEIDSRÅDET

- a) **Hold arbeidsområdet rent og godt opplyst.** Rotete eller mørke områder gjør at ulykker lettere oppstår.
- b) **Ikke bruk maskinen i eksplosjonsfarlige omgivelser, for eksempel der det finnes brennbare væsker, gasser eller støv.** Elektroverktøy lager gnister som kan antenne støv eller damp.
- c) **Hold barn og andre personer unna når elektroverktøyet er i bruk.** Distraksjoner kan føre til at du mister kontrollen.

2) ELEKTRISK SIKKERHET

- a) **Støpselet til elektroverktøyet må passe inn i stikkkontakten. Støpselet må ikke modifiseres på noen som helst måte. Ikke bruk adapterstøpsler sammen med jordede elektroverktøy.** Støpsler det ikke er gjort endringer med og riktige stikkontakter reduserer risikoen for elektrisk støt.
- b) **Unngå kroppskontakt med jordede eller jordede overflater som rør, radiators, avstander og kjøleskap.** Det er økt risiko for elektrisk støt hvis kroppen din er jordet.
- c) **Ikke utsett elektroverktøy for regn eller våte omgivelser.** Kommer det vann inn i et elektroverktøy, øker risikoen for elektrisk støt.
- d) **Ikke utsett ledningen for feil behandling. Unngå å bære eller dra i verktøyet ved hjelp av ledningen, eller å dra i ledningen når du skal ta verktøyet ut av stikkkontakten. Hold ledningen på avstand fra varme, olje, skarpe kanter og bevegelige deler.** Skadede eller sammenfiltrede ledninger øker risikoen for elektriske støt.
- e) **Når du bruker et elektroverktøy utendørs må du bruke skjøteledning som er godkjent for dette.** Bruk av ledning som er egnet for utendørs bruk reduserer risikoen for elektrisk støt.
- f) **Hvis du ikke kan unngå å bruke verktøyet i fuktige omgivelser, så benytt en jordfeilbryter.** Bruk av jordfeilbryter reduserer risikoen for elektrisk støt.

3) PERSONLIG SIKKERHET

- a) **Vær årvåken, se hva du gjør, og følg sunn fornuft når du bruker et elektroverktøy. Ikke bruk elektroverktøy når du er trøtt eller er påvirket av narkotika, alkohol eller medikamenter.** Et øyeblikks uoppmerksomhet mens du bruker elektroverktøy kan føre til alvorlige personskader.
- b) **Bruk personlig verneutstyr. Bruk alltid vernebriller.** Verneutstyr som støvmaske, sklisikre vernesko, hjelm eller hørselsvern når omgivelsene krever det, reduserer risikoen for personskader.
- c) **Unngå utilsiktet oppstart. Pass på at bryteren er i av-stilling før du kobler til strømkilden og/eller batteripakken, eller når du løfter og bærer verktøyet.** Å bære elektroverktøy med fingeren på bryteren eller koble til strøm når bryteren er på, skaper farlige situasjoner som kan føre til ulykker.

- d) **Fjern eventuelle justeringsnøkler før du slår på elektroverktøyet.** Et verktøy eller en nøkkel som sitter igjen i en roterende del av elektroverktøyet, kan føre til personskade.
 - e) **Ikke strekk deg for langt. Pass på å ha skikkelig fotfeste og balanse til enhver tid.** Dette muliggjør bedre kontroll over elektroverktøyet i uventede situasjoner.
 - f) **Hold hår og klær på avstand fra bevegelige deler.** Løse klær, smykker eller langt hår kan vikle seg inn i deler som beveger seg.
 - g) **Hvis det følger med utstyr for tilkopling av støvavsug og oppsamlingsutstyr, skal disse kobles til og brukes riktig.** Bruk av støvoppsamlingsutstyr kan redusere støvelaterete farer.
 - h) **Selv om du har opparbeidet deg erfaring gjennom hyppig bruk av verktøyet må du alltid være årvåken og følge sikkerhetsinstruksjonene.** Et øyeblikks uoppmerksomhet er alt som skal til for at alvorlige personskader kan oppstå.
- #### 4) BRUK OG VEDLIKEHOLD AV ELEKTROVERKTØY
- a) **Ikke legg press på elektroverktøyet. Bruk et elektroverktøy som er egnet for det du skal gjøre.** Et egnet elektroverktøy vil gjøre jobben på en bedre og tryggere måte, i den hastigheten verktøyet er konstruert for.
 - b) **Ikke bruk elektroverktøyet hvis bryteren ikke slår det på og av.** Elektroverktøy som ikke kan kontrolleres med bryteren er farlig og må repareres.
 - c) **Koble støpselet fra strømkilden og/eller fjern batteripakken, hvis den kan tas av, fra elektroverktøyet før du foretar justeringer, skifter tilbehør eller oppbevarer elektroverktøy.** Slike forebyggende sikkerhetstiltak reduserer risikoen for at det elektriske verktøyet starter utilsiktet.
 - d) **Oppbevar elektroverktøy utilgjengelig for barn, og ikke la personer som ikke er kjent med verktøyet eller disse instruksjonene, betjene maskinen.** Elektroverktøy er farlige når de brukes av uerfarne personer.
 - e) **Elektroverktøy og tilbehør må vedlikeholdes. Se etter feil justering eller binding av bevegelige deler, brudd på deler og andre forhold som kan påvirke verktøyet. Hvis det er skadet, må elektroverktøyet repareres før bruk.** Mange ulykker forårsakes av elektroverktøy som ikke er godt vedlikeholdt.
 - f) **Hold skjæreverktøyet skjerpet og rent.** Riktig vedlikehold av skjæreverktøy med skarpe kanter gjør at det er mindre sannsynlighet for oppbinding, og at det er lettere å kontrollere.
 - g) **Bruk elektroverktøyet, tilbehøret og verktøybitene etc., i samsvar med disse instruksjonene, under hensyntagen til arbeidsforholdene og arbeidet som skal utføres.** Bruk av elektroverktøy til andre formål enn det som er angitt, kan føre til farlige situasjoner.
 - h) **Hold håndtakene og gripeflatene tørre, rene og fri for olje og fett.** Glatte håndtak og gripeflater vil gjøre det vanskelig å kontrollere verktøyet og håndtere det på en sikker måte i uventede situasjoner.
- #### 5) BRUK OG VEDLIKEHOLD AV BATTERIVERKTØY
- a) **Lades bare med ladere som er spesifisert av produsenten.** En lader som passer for én type batteripakke, kan gi brannfare dersom den brukes med

andre batteripakker.

- b) **Elektroverktøyet skal bare brukes med spesifiserte batteripakker.** Bruk av andre batteripakker kan skape risiko for skader og brann.
- c) **Når batteripakken ikke er i bruk, må du holde den borte fra andre metallgjenstander som binders, mynter, nøkler, spiker, skruer eller andre små metallgjenstander som kan opprette forbindelse fra en terminal til en annen.** Kortslutning av batteripolene kan forårsake brannskader eller brann.
- d) **Under farlige forhold kan væske komme ut av batteriet. Unngå kontakt. Hvis kontakt oppstår ved et uhell, skyl med vann. Får du væske i øynene, skal det i tillegg søkes medisinsk hjelp.** Væske som blir slynget ut av batteriet, kan forårsake irritasjon eller brannskår.
- e) **Ikke bruk en batteripakke eller et verktøy som er skadet eller tilpasset.** Skadde eller modifiserte batterier kan oppføre seg uforutsigbart og medføre brann, eksplosjon eller risiko for personskade.
- f) **Ikke eksponer batteripakken eller verktøyet for ild eller svært høye temperaturer.** Eksponering for ild eller temperaturer over 130 °C kan forårsake eksplosjon.
- g) **Følg alle ladeinstruksjonene, og ikke lad batteripakken eller verktøyet utenfor temperaturområdet som er angitt i instruksjonene.** Hvis batteriet lades på feil måte eller ved temperaturer som er utenfor det angitte området, kan batteriet bli skadet og brannrisikoen øke.
- 6) **SERVICE**
 - a) **Elektroverktøyet må repareres av et kvalifisert serviceverksted som kun bruker identiske reservedeler.** Dette opprettholder sikkerheten til elektroverktøyet.
 - b) **Batteripakker som er skadet, må aldri brukes.** Service på batteripakker må bare utføres av produsenten eller autoriserte tjenesteleverandører.

SIKKERHETSINSTRUKS FOR SIRKELSAGER

Kutteprosedyrer

- a) **FARE: Hold hendene unna skjæreområdet og bladet.** Hvis begge hender holder sagen, kan de ikke kuttes av bladet.
- b) **Ikke ta under arbeidsstykket.** Beskyttelsen kan ikke beskytte deg mot bladet under arbeidsstykket.
- c) **Juster skjæredybden til tykkelsen på arbeidsstykket.** Mindre enn en full tann av bladtennene skal være synlige under arbeidsstykket.
- d) **Hold aldri arbeidsstykket i hendene eller på tvers av beinet mens du skjærer. Fest arbeidsstykket til en stabil plattform.** Det er viktig å støtte arbeidet riktig for å minimere kroppseksponering, bladbinding eller tap av kontroll.
- e) **Hold elektroverktøyet i de isolerte gripeflatene når du utfører en operasjon der skjæreverktøyet kan komme i kontakt med skjulte ledninger.** Kontakt med en "strømførende" ledning vil også gjøre eksponerte metalldele på elektroverktøyet "strømførende" og kan gi operatøren et elektrisk støt.
- f) **Når du river, bruk alltid et rivegjerde eller**

rettkantfører. Dette forbedrer skjæringsnøyaktigheten og reduserer sjansen for at bladet binder seg.

- g) **Bruk alltid blader med riktig størrelse og form (diamant versus rund) av arborhull.** Blader som ikke samsvarer med monteringsutstyret til sagen, vil løpe utenfor midten og forårsake tap av kontroll.
- h) **Bruk aldri skadede eller feil skiver eller bolter.** Bladskivene og boltene er spesialdesignet for sagen din, for optimal ytelse og driftssikkerhet.

Tilbakeslagsårsaker og relaterte advarsler

- Tilbakeslag er en plutselig reaksjon på et sammenklemt, fastklemt eller feiljustert sagblad, som får en ukontrollert sag til å løfte seg opp og ut av arbeidsstykket mot operatøren.
- Når bladet blir klemt eller tett fast ved at snittet lukker seg, stopper bladet og motorreaksjonen driver enheten raskt tilbake mot operatøren.
- Hvis bladet blir vridd eller feiljustert i snittet, kan tennene på bakkanten av bladet grave seg inn i toppflaten av treet og få bladet til å klatre ut av snittet og hoppe tilbake mot operatøren.

Tilbakeslag er et resultat av feilbruk av sagen og/eller feil bruksprosedyrer eller forhold og kan unngås ved å ta de nødvendige forholdsregler som angitt nedenfor.

- a) **Hold et fast grep om sagen og plasser armene for å motstå tilbakeslagskrefter. Plasser kroppen på hver side av bladet, men ikke på linje med bladet.** Tilbakeslag kan føre til at sagen hopper bakover, men tilbakeslagskrefter kan kontrolleres av operatøren, hvis det tas passende forholdsregler.
- b) **Når bladet bindes, eller når du avbryter et kutt av en eller annen grunn, slipper du avtrekkeren og holder sagen ubevegelig i materialet til bladet stopper helt. Prøv aldri å fjerne sagen fra arbeidet eller trekk sagen bakover mens bladet er i bevegelse, ellers kan det oppstå tilbakeslag.** Undersøk og ta korrigerende tiltak for å eliminere årsaken til bladbinding.
- c) **Når du starter en sag på nytt i arbeidsstykket, sentrer sagbladet i snittet slik at sagtennene ikke griper inn i materialet.** Hvis et sagblad binder seg, kan det gå opp eller komme tilbake fra arbeidsstykket når sagen startes på nytt.
- d) **Støtt store paneler for å minimere risikoen for klypning og tilbakeslag.** Store paneler har en tendens til å falle under sin egen vekt. Støtter må plasseres under panelet på begge sider, nær snittlinjen og nær kanten av panelet.
- e) **Ikke bruk sløve eller ødelagte kniver.** Uslipte eller feil innstilte kniver gir smale rifler som forårsaker overdreven friksjon, bladbinding og tilbakeslag.
- f) **Knivdybde og skråjusterende låsehendler må være stramme og sikre før du skjærer.** Hvis bladjusteringen skifter mens du klipper, kan det forårsake binding og tilbakeslag.
- g) **Vær ekstra forsiktig når du sager inn i eksisterende vegger eller andre blinde områder.** Det utstikkende bladet kan kutte gjenstander som kan forårsake tilbakeslag.

Lower guard function

- a) **Kontroller at den nedre beskyttelsen er korrekt lukket før hver bruk. Ikke bruk sagen hvis den nedre beskyttelsen ikke beveger seg fritt og lukkes umiddelbart. Ikke klems eller fest den nedre beskyttelsen i åpen posisjon.** Hvis sagen ved et uhell faller ned, kan den nedre beskyttelsen være bøyd. Løft den nedre beskyttelsen med det tilbaketrekkbare håndtaket, og pass på at den beveger seg fritt og ikke berører bladet eller andre deler i alle vinkler og dybder.
- b) **Kontroller driften av den nedre beskyttelsesfjæren. Hvis beskyttelsen og fjæren ikke fungerer som de skal, må de vedlikeholdes før bruk.** Nedre vakt kan fungere tregt på grunn av skadede deler, gummiavleiringer eller oppbygging av rusk.
- c) **Den nedre beskyttelsen kan trekkes tilbake manuelt kun for spesielle kutt som "dykksnitt" og "sammensatte kutt". Løft den nedre beskyttelsen ved å trekke i håndtaket, og så snart bladet kommer inn i materialet, må den nedre beskyttelsen løsnest.** For all annen saging bør den nedre beskyttelsen fungere automatisk.
- d) **Vær alltid oppmerksom på at den nedre beskyttelsen dekker bladet før du legger sagen ned på benk eller gulv.** Et ubeskyttet, skjærende blad vil få sagen til å gå bakover og kutte det som er i veien. Vær oppmerksom på tiden det tar før bladet stopper etter at bryteren slippes.

EKSTRA SIKKERHETSADVARSLER

GENERELL

- Dette verktøyet bør ikke brukes av personer under 16 år
- Dette verktøyet er ikke beregnet for vannsaging
- **Ikke bearbeid materialer som inneholder asbest (asbest anses som kreftfremkallende)**
- Støv fra materialer som maling som inneholder bly, enkelte tresorter, mineraler og metall kan være skadelig (kontakt med eller innånding av støvet kan forårsake allergiske reaksjoner og/eller luftveissykdommer hos operatøren eller tilskuere); **bruk støvmaske og arbeid med en støvavsugingsenhet når den kan kobles til**
- Visse typer støv er klassifisert som kreftfremkallende (som eik og bøkstøv), spesielt i forbindelse med tilsetningsstoffer for trebehandling; **bruk støvmaske og arbeid med en støvavsugingsenhet når den kan kobles til**
- Følg de støvrelaterte nasjonale kravene for materialene du ønsker å jobbe med
- Ikke bruk denne sagen i kombinasjon med en bordsag
- Fjern batteriet fra verktøyet før du foretar noen justeringer eller endrer tilbehør

TILBEHØR

- SKIL kan kun garantere et feilfritt verktøy dersom originaltilbehør brukes
- Bruk kun sagblad som samsvarer med de karakteristiske dataene gitt i denne bruksanvisningen og som er testet og merket i henhold til EN 847-1, hvis beregnet for tre og trelignende materialer.
- Bruk kun tilbehør med en tillatt hastighet som tilsvarende minst den høyeste tomgangshastigheten til verktøyet
- **Bruk kun sagblad/kappehjul med minimum diameter 115 mm, maksimal diameter 120 mm og spindelhull på 9,5 mm**
- Bruk aldri slipeskiver med dette verktøyet

- Håndter og oppbevar tilbehør med forsiktighet
- Identifiser riktig sagblad som skal brukes for materialet som skal kuttes.

FØR BRUK

- Unngå skader som kan forårsakes av skruer, spiker og andre elementer i arbeidsstykket ditt; fjern dem før du begynner å jobbe
- Rydd unna alle hindringer i arbeidsområdet før du begynner å sage
- **Sikre arbeidsstykket** (et arbeidsstykke som er fastklemt med klemanordninger eller i en skrustikke holdes sikrere enn for hånd)
- **Bruk egnede detektorer for å finne skjulte ledninger eller ring det lokale forsyningsselskapet for assistanse eller ring det lokale forsyningsselskapet for å få hjelp** (kontakt med elektriske ledninger kan føre til brann eller elektrisk støt; skade på en gassledning kan resultere i en eksplosjon; penetrering av vann ror vil forårsake skade på eiendom eller elektrisk støt)

UNDER BRUK

- Støynivået under arbeid kan overskride 85 dB(A); bruk hørselvern
- Bruk aldri verktøyet uten det originale beskyttelsessystemet
- Ikke forsøk å kutte ekstremt små materialer
- Ikke for sagen over hodet
- Ved fastkjøring eller elektrisk eller mekanisk feil, slå av verktøyet umiddelbart og ta ut batteriet

ETTER BRUK

- Når du setter bort verktøyet må bryteren slås av, bevegelige deler må være helt stoppet
- Etter at du har slått av batteri, må du aldri stoppe bladrotasjonen ved å føre en gjenstand mot bladet

BATTERIER

- Batteriet som følger med er delvis oppladet (for å sikre full kapasitet til batteriet, lad batteriet helt i batteriladeren før du bruker elektroverktøyet for første gang)
- Bruk kun følgende batterier og ladere med dette verktøyet
 - SKIL-batteri: BR1*31****
 - SKIL -lader: CR1*31****
- Bruk ikke batteriet når det er skadet; det må byttes ut umiddelbart
- Ikke demonter batteriet
- Ikke utsett verktøyet/batteriet for regn
- Tillatt omgivelsestemperatur (verktøy/lader/batteri):
 - ved lading 4...40 °C
 - under drift -20 ...+50 °C
 - ved lagring -20 ...+50 °C

FORKLARING AV SYMBOLER PÅ VERKTØY/BATTERI

- ③ Les bruksanvisningen før bruk
- ④ Batterier kan eksplodere når de kastes i brann, så ikke brenn batteriet av en eller annen grunn
- ⑤ Oppbevar verktøy/lader/batteri på steder der temperaturen ikke overstiger 50 °C
- ⑥ Ikke kast elektriske verktøy og batterier sammen med husholdningsavfall

BRUK

- Batteriladning
- **! les sikkerhetsadvarslene og instruksene levert med laderen**
- Fjerne/installere batteriet ②
- Batterinivåindikator ⑦

- Trykk på batterinivåknappen AB for å vise gjeldende batterinivå ⑦a
- ! **når det laveste nivået på batteriindikatoren begynner å blinke etter å ha trykket på knappen AB ⑦b, er batteriet tomt**
- ! **når 2 nivåer av batteriindikatoren begynner å blinke etter å ha trykket på knappen AB ⑦c, er batteriet ikke innenfor det tillatte driftstemperaturområdet**
- LED-lys T ⑧
LED-lys tennes automatisk når verktøyet begynner å gå
- ! **når LED-lyset begynner å blinke, er batteribeskyttelsen aktivert (se nedenfor)**
- Batteribeskyttelse
Verktøyet blir plutselig slått av eller forhindret fra å slås på, når
 - **lasten er for høy** --> fjern lasten og start på nytt
 - **batteritemperaturen er ikke innenfor det tillatte driftstemperaturområdet på -20 til +50°C** --> 2 nivåer av batterinivåindikatoren begynner å blinke når du trykker på knappen AB 7c; vent til batteriet er tilbake innenfor det tillatte driftstemperaturområdet
 - **batteriet er nesten tomt (for å beskytte mot dyp utladning)** --> lavt batterinivå eller blinkende lavt batterinivå ub vises av batterinivåindikatoren når du trykker på knappen AB; lade batteriet
 - ! **ikke fortsett å trykke på av/på-bryteren etter at verktøyet er slått av automatisk; batteriet kan være skadet**
- Montering av sagblad ②
! **ta batteriet ut av verktøyet**
 - ta unbrakonøkkel A fra lager B
 - trykk spindellåseknappen F og hold den mens du fjerner bladbolten AA ved å vri sekskantnøkkel A MED URVISEREN (= i samme retning som pilen trykket på sagbladet)
 - ! **trykk spindellåseknappen F kun når verktøyet står stille**
 - frigjør spindellåseknapp F
 - fjern flensen Z
 - ! **sørg for at klemflatene X på flensene er helt rene og vender mot bladet**
 - åpne nedre beskyttelse W med spak S og hold den mens du monterer sagblad med sagtenner og pil trykket på sagbladet peker i samme retning som pilen på øvre beskyttelse
 - slipp nedre beskyttelse W
 - monteringsflens Z
 - trykk på spindellåseknappen F og hold den mens du strammer bladbolten med sekskantnøkkel 1/8 omdreining forbi fingerstram (sikker at sagbladet glipper når det møter overdreven motstand, og reduserer dermed motoroverbelastning og tilbakeslag)
 - frigjør spindellåseknapp F
- Justering av skjæredybde (0-41 mm) ③
 - for optimal kvalitet på sagingen bør bladet ikke være mer enn 3 mm på undersiden av arbeidsstykket
 - løsne Q knotten
 - hev/senk fot M til ønsket skjæredybde er stilt inn på skalaen ved hjelp av indikator P
 - stram Q knotten
- Justere skjærevinkelen (0-45°)⑩
 - løsne U knotten
- vipp verktøyet til ønsket skjærevinkel er stilt inn på skalaen ved hjelp av indikator V
- stram U knotten
- ! **ved skråskjæring samsvarer ikke skjæredybden med verdien på skjæredybdeskalaen**
- Klippelinjeindikator L ⑪
 - for å styre verktøyet langs ønsket snittlinje markert på arbeidsstykket
 - for rett 0° kutt eller 45° skråsnitt, bruk den aktuelle indikatorlinjen
 - ! **den brede delen av foten skal hvile på den støttede delen av arbeidsstykket**
 - ! **skjærebredde bestemmes av bredden på knivtennene og ikke av bredden på knivkroppen**
 - ! **foreta alltid prøveuttak først for å verifisere den faktiske kuttlinjen**
- Støvsuging ⑫
For bruk av støvsuger
 - koble støvsugerslangen til støvsugeradapteren H
 - ! **la aldri støvsugerslangen forstyrre den nedre beskyttelsen eller kutteoperasjonen**
 - ! **ikke bruk støvsuger når du skjærer metall**
- Betjening av verktøyet
 - monter batteri
 - hold alltid håndtak C godt
 - plasser verktøyet med forenden av foten flatt på arbeidsstykket
 - ! **sørg for at sagtennene ikke griper inn i arbeidsstykket**
 - Slå på verktøyet ved først å trykke på knappen E (= sikkerhetsbryter som ikke kan låses) og deretter trykke på avtrekkeren D
 - ! **verktøyet skal gå i full hastighet før bladet går inn i arbeidsstykket**
 - lower guard W opens automatically when saw blade enters the workpiece (open lower guard manually by using lever S only for special cuts such as plunge cuts)
 - ! **do not force the tool (apply light and continuous pressure in order to avoid overheating the blade tips)**
 - ! **while working, always hold the tool at the grip area(s)**
 - after completing the cut switch off tool by releasing trigger D
 - ! **ensure that the blade has come to a complete standstill, before you lift the tool from the workpiece**

SØKNADSRÅD

- Legg alltid den gode siden av arbeidsstykket ned for å sikre minimal splinting. Sørg for minimal splinting ved saging av tre og trelignende materialer.
- Sagytelse og skjærekvalitet avhenger i hovedsak av tilstanden og tanntallet til sagbladet.
- Bruk kun skarpe sagblad som er egnet for materialet som skal kuttes ⑬
 - bruk herdet stålsagblad AC ② for kapping av tre, aluminium, plast og alle slags laminert tre
 - bruk diamantskive AD ② for å kutte keramikk og fliser
 - kniver med karbidspiss Y ② holder seg skarpe opptil 30 ganger lenger enn vanlige kniver
- Parallell guide J ⑭
 - for å lage nøyaktige kutt langs en arbeidsstykkekant

- sett inn gjennom sporene i den fremre enden av foten
Justering av parallellføring
- løsne skruen K med unbrakonøkkel A
- juster til ønsket skjærebredde ved å bruke parallell guideskala (bruk skjærelinjeindikator L som 0-referanse)
- stram til skruen K
- Dykkskjæring ⑮
 - set desired cutting depth
 - still inn ønsket skjæredybde
 - vipp verktøyet fremover med skjærelinjeindikator L på linje med ønsket snittlinje markert på arbeidsstykket
 - åpne nedre beskyttelse W med spak S
 - like før bladet går inn i arbeidsstykket, slå på verktøyet og senk gradvis bakenden av verktøyet ved å bruke forenden av foten som hengselpunkt
 - beveger verktøyet gradvis nedover og fremover
 - så snart bladet kommer inn i materialet, slipp spaken S
- ! **trekk aldri verktøyet bakover**
- Kutte store paneler ⑯
 - støttepanel nær snittet enten på gulv, bord eller arbeidsbenk
- ! **still inn skjæredybde slik at du skjærer gjennom panel og ikke gjennom støtte**
- i tilfelle parallellføring ikke tillater ønsket bredde på kutt, kleim eller spik rett trestykke til arbeidsstykket som en guide, og bruk venstre side av foten mot denne guiden ⑰
- For mer informasjon se www.skil.com

VEDLIKEHOLDSSERVICE

- Dette verktøyet er ikke beregnet for profesjonell bruk
- Hold alltid verktøyet rent (spesielt ventilasjonsåpninger N)
- ! **fjern batteriet fra verktøyet før rengjøring**
- Hold alltid området rundt nedre beskyttelse W ② rent (fjern støv og spon ved å blåse ut med trykkluft eller med en børste)
- Rengjør sagblad straks etter bruk (spesielt for kvae og lim)
- Hvis verktøyet skulle svikte til tross for forsiktighet i produksjons- og testprosedyrene, bør reparasjonen utføres av et ettersalgsservicesenter for SKIL elektroverktøy
 - Send verktøyet demontert sammen med kjøpsbevis til din forhandler eller nærmeste SKIL -servicestasjon (adresser samt servicediagram for verktøyet er oppført på www.skil.com)
- Vær klar over at skade som skyldes overbelastning eller feilbehandling av verktøyet ikke dekkes av garantien (for SKIL garantibetingelser se www.skil.com eller spør din forhandler)

MILJØ

- Ikke kast elektrisk verktøy, batterier, tilbehør og emballasje sammen med husholdningsavfall (bare for EU -land)
 - i henhold til EU-direktiv 2012/19/EF om kasserte elektriske og elektroniske produkter og direktivets iverksetting i nasjonal rett, må elektroverktøy som ikke lenger skal brukes, samles separat og returneres til et miljøvennlig gjenvinningsanlegg

- symbolet ⑥ vil minne deg på dette når behovet for avhending oppstår
- ! **Beskytt batteripolene med kassett for kassering for å unngå kortslutning**

STØY/VIBRASJON

- Målt i samsvar med EN 62841 er lydtrykknivået til dette verktøyet 96 dB(A) og lydeffektnivået 107 dB(A) (usikkerhet K = 3 dB), og vibrasjonen *(triaks vektorsum; usikkerhet K = 1,5 m/s²)
 - * kutte ved < 2,5 m/s²
 - * kutte metall < 2,5 m/s²
- Vibrasjonsnivået er målt i samsvar med en standardisert test som er angitt i EN 62841; den kan brukes til å sammenligne et verktøy med et annet, og som et foreløpig overslag over eksponering for vibrasjoner ved bruk av verktøyet til de oppgavene som er nevnt
 - bruk av verktøyet til forskjellige bruksområder, eller med annet eller dårlig vedlikeholdt tilbehør, kan øke eksponeringsnivået betydelig
 - tidspunktene når verktøyet er slått av eller når det kjøres, men ikke faktisk gjør jobben, kan redusere eksponeringsnivået betydelig
- ! **Beskytt deg selv mot vibrasjonseffekter ved å vedlikeholde verktøyet og dets tilbehør, holde hendene varme og organisere arbeidsmønstrene dine**

FIN

Harjaton kompakti monitoimisaha

3540

ESITTELY

- Tämä työkalu on tarkoitettu puun, lastulevyn, vanerin, alumiinin, laattojen, kiven, muovin ja kevyiden rakennusmateriaalien pituussuuntaiseen ja poikittaissuuntaiseen sahaamiseen suorilla leikkauksilla sekä kulmaleikkauksilla 45 asteeseen asti.
- Tätä työkalua ei ole tarkoitettu ammattikäyttöön.
- Lue ja säilytä tämä ohjekirja.③

TEKNISET TIEDOT ①

TYÖKALUN OSAT ②

- A Kuusiokoloavain
- B Säilytyspaikka kuusiokoloavainta varten
- C Kahva
- D Liipaisinkytkin
- E Turvakytkin
- F Karanlukituspainike
- G Pölynpöistoliitäntä
- H Pölynimurin sovitin
- J Rinnakkaisohjain
- K Rinnakkaisohjaimen säätöruuvi
- L Sahauslinjan osoitin
- M Pohjalevy
- N Ilmanvaihto-aukot
- P Sahaussyvyyden osoitin
- Q Nuppi sahaussyvyyden asettamiseksi

- R Ylempi suojus
- S Alasuojuksen avausvipu
- T LED-valo
- U Sahauskulman säätönuppi
- V Sahauskulman osoitin
- W Alasuojus
- X Puristuspinna
- Y Karbidikärkinen sahanterä
- Z Laippa
- AA Teräpultti
- AB Akun varaustason ilmaisinpainike
- AC Karkaistusta teräksestä tehty sahanterä
- AD Timanttilaikka

TURVALLISUUS

YLEISET SÄHKÖTYÖKALUJEN TURVALLISUUSVAROITUKSET

VAROITUS Lue kaikki tämän sähkötyökalun mukana tulleet turvallisuusvaroitukset, ohjeet, piirustukset ja tekniset tiedot. Jos kaikkia alla olevia ohjeita ei noudateta, seurauksena saattaa olla sähköisku, tulipalo ja/tai vakava loukkaantuminen.

Säilytä kaikki varoitukset ja ohjeet myöhempää käyttöä varten.

Varoituksissa käytetty termi ”sähkötyökalu” tarkoittaa joko verkkovirtakäyttöistä (johdollista) sähkötyökalua tai akkukäyttöistä (johdotonta) sähkötyökalua.

1) TYÖALUEEN TURVALLISUUS

- a) **Pidä työskentelyalue siistinä ja hyvin valaistuna.** Sotkuiset tai hämärät alueet aiheuttavat onnettomuuksia.
- b) **Älä käytä sähkötyökaluja räjähdysriskissä ympäristössä, kuten syttyvien nesteiden, kaasujen tai pölyn läheisyydessä.** Sähkötyökalut saattavat aiheuttaa kipinöitä, jotka voivat sytyttää tomun tai höyryjä.
- c) **Älä päästä lapsia tai sivullisia lähelle, kun käytät sähkötyökaluja.** Häiriötekijät voivat aiheuttaa hallinnan menettämisen.

2) SÄHKÖTURVALLISUUS

- a) **Sähkötyökalun pistotulpan on vastattava pistorasiaa.** Älä ikinä muokkaa pistotulppaa millään tavalla. Älä käytä minkäänlaisia sovitinpistotulppia maadoitettujen sähkötyökalujen kanssa. Muokkaamattomat pistotulpat ja niihin sopivat pistorasiat vähentävät sähköiskun vaaraa.
- b) **Vältä koskemasta vartalollasi maadoitettuihin pintoihin, kuten putkiin, lämmityspattereihin, liesiin ja jääkaappeihin.** Sähköiskun riski kasvaa, jos kehosi on maadoitettu.
- c) **Älä altista sähkötyökaluja sateelle tai kosteudelle.** Sähkötyökaluun pääsevä vesi lisää sähköiskun vaaraa.
- d) **Älä väärinkäytä johtoa. Älä koskaan kannata vedä laitetta johdosta tai irrota pistoketta pistorasiasta johdosta vetämällä. Pidä johto pois tullen, öljyn, terävien reunojen tai liikkuvien osien läheltä.** Vahingoittuneet tai sokeutuneet johdot lisäävät sähköiskun vaaraa.
- e) **Kun käytät sähkötyökalua ulkona, käytä ulkokäyttöön tarkoitettua jatkajohtoa.** Ulkokäyttöön

tarkoitettua jatkajohtoa käyttä vähentää sähköiskun riskiä.

- f) **Jos et voi välttää sähkötyökalun käyttöä kosteissa olosuhteissa, käytä vikavirtasuojakytkimellä (vvs) suojattua virtalähdettä.** Vikavirtasuojakytkimen käyttö vähentää sähköiskun vaaraa.
- #### 3) HENKILÖKOHTAINEN TURVALLISUUS
- a) **Ole valpas, tarkkaavainen ja käytä maalaisjärkeä, kun käytät sähkötyökalua. Älä käytä sähkötyökalua, jos olet väsynyt tai huumeiden, alkoholin tai lääkkeiden vaikutuksen alaisena.** Hetkellinenkin huomion herpaantuminen sähkötyökalua käytettäessä saattaa aiheuttaa vakavan henkilökohtaisen vamman.
 - b) **Käytä henkilönsuojaimia. Käytä aina silmäsuojaimia.** Suojavarusteiden, kuten hengityssuojaimen, luistamattomien turvakengien, suojakypärän tai kuulosuojaimien, käyttö tarvittaessa vähentää loukkaantumisvaaraa.
 - c) **Estä vahingossa käynnistyminen. Varmista, että kytkin on off-asennossa, ennen kuin liität virtalähteen ja/tai akun, nosta laitteen tai kannat sitä.** Työkalun kantaminen sormi virtakytkimellä tai virta kytkettynä olevan työkalun liittäminen pistorasiaan muodostaa onnettomuusvaaran.
 - d) **Poista kaikki säätöön käytetyt avaimet tai kiintoavaimet ennen kuin käynnistät sähkötyökalun.** Sähkötyökalun pyörivään osaan jätetty avain tai kiintoavain saattaa aiheuttaa henkilövamman.
 - e) **Älä kurkottele. Säilytä aina tukeva asento ja hyvä tasapaino.** Näin hallitset sähkötyökalun parhaalla mahdollisella tavalla odottamattomissa tilanteissa.
 - f) **Pidä huksat ja vaatteet etäällä liikkuvista osista.** Väljät vaatteet, korut tai pitkät huksat voivat tarttua kiinni liikkuviin osiin.
 - g) **Jos laitteissa on liitännät pölynpoistolaitteille ja keräilylaitteille, varmista, että ne on liitetty ja niitä käytetään oikein.** Pölynpoistolaitteiden käyttö vähentää pölyyn liittyviä vaaroja.
 - h) **Älä anna tuotteen tuttuuden toistuvan käytön takia tehdä sinua liian itsevarmaksi, äläkä jätä työkalun turvallisuusohjeita noudattamatta.** Huolimaton toiminta voi aiheuttaa vakavan henkilövahingon sekunnin murto-osassa.
- #### 4) SÄHKÖTYÖKALUJEN KÄYTTÖ JA KUNNOSSAPITO
- a) **Älä pakota sähkötyökalua. Käytä omaa käyttötarkoitukseesi soveltuvaa sähkötyökalua.** Oikea sähkötyökalu suoriutuu parhaiten ja turvallisimmin tehtävästä sille tarkoitettulla nopeudella.
 - b) **Älä käytä sähkötyökalua, jos sitä ei saa käynnistettyä ja suljettua kytkimellä.** Sähkötyökalun, jota ei voida hallita kytkimellä, käyttö on vaarallista ja laite on korjattava.
 - c) **Irrota pistotulppa virtalähteestä ja/tai irrota akku sähkötyökalusta, jos irrotettavissa, ennen kuin teet mitään säätöjä, vaihdat apuvälineitä tai laitat sähkötyökalun varastoon.** Nämä estävät turvallisuus-toimenpiteet vähentävät sähkötyökalun vahingossa käynnistämisen riskiä.
 - d) **Säilytä käyttämättömiä sähkötyökaluja lasten ulottumattomissa, äläkä anna henkilöiden, jotka eivät tunne sähkötyökalua tai näitä ohjeita, käyttää sähkötyökalun.** Sähkötyökalut ovat vaarallisia kokemattomien käyttäjien käsissä.

- e) **Huolla sähkötyökalut ja lisävarusteet. Tarkista, että liikkuvat osat ovat kunnolla paikallaan, että osat ovat ehjiä, ja että sähkötyökalussa ei ole muita ongelmia, jotka saattaisivat vaikuttaa sen toimintaan. Jos sähkötyökalu on vahingoittunut, korjauta se ennen käyttöä.** Monet onnettomuudet johtuvat huonosti ylläpidetyistä sähkötyökaluista.
- f) **Pidä leikkuutyökalut terävinä ja puhtaina.** Oikein huolletut leikkuutyökalut, joissa on terävät leikkuureunat, eivät todennäköisesti jumiuudu, ja niitä on helpompi hallita.
- g) **Käytä sähkötyökaluja, lisävarusteita ja teriä ym. näiden ohjeiden mukaisesti ja niin, että otat huomioon käyttöolosuhteet ja tehtävän työn.** Sähkötyökalujen käyttö muihin kuin niille suunniteltuihin tarkoituksiin saattaa aiheuttaa vaaratilanteen.
- h) **Pidä kahvat ja tartuntapinnat kuivina, puhtaina, öljyttöminä ja rasvattomina.** Liukkaat kahvat ja tartuntapinnat eivät mahdollista työkalun turvallista käsittelyä ja hallintaa odottamattomissa tilanteissa.
- 5) **AKKUYÖKALUN KÄYTTÖ JA KUNNOSSAPITO**
- a) **Lataa vain valmistajan määrittelemällä laturilla.** Laturi, joka sopii yhdyntyyppiselle akulle voi aiheuttaa tulipalovaaran, jos sitä käytetään toisenlaisen akun kanssa.
- b) **Käytä sähkötyökaluissa vain erityisesti niihin tarkoitettuja akkuja.** Muunlaisten akkujen käyttö saattaa aiheuttaa henkilövahingon tai tulipalon vaaran.
- c) **Kun akku ei ole käytössä, pidä se pois metalliesineiden, kuten paperiliitinten, kolikoiden, avainten, naulojen, ruuvien tai muiden pienten metalliesineiden, läheltä, jotta ne eivät voi liittää yhtä napaa toiseen.** Akun napojen oikosulku voi aiheuttaa palovammoja tai tulipalon.
- d) **Akusta voi valua nestettä väärästä käytöstä johtuen. Vältä kosketusta nesteeseen. Jos kosket nesteeseen vahingossa, huuhtelee vedellä. Jos nestettä pääsee silmiin, hakeudu lääkärin hoitoon.** Akusta valuva neste voi aiheuttaa ärsytystä tai palovammoja.
- e) **Älä käytä akkua tai työkalua, joka on vaurioitunut tai jota on muutettu.** Vaurioituneet tai muutetut akut voivat käyttäytyä arvaamattomasti ja aiheuttaa tulipalon, räjähdyksen tai henkilövahingon vaaran.
- f) **Älä altista akkua tai työkalua tulelta tai äärimmäisille lämpötiloille.** Altistaminen yli 130 °C:n lämpötilalle voi aiheuttaa räjähdyksen.
- g) **Noudata kaikkia latausohjeita. Älä lataa akkua tai työkalua lämpötilassa, joka ole ohjeissa ilmoitetun lämpötila-alueen sisällä.** Virheellinen lataaminen tai lataaminen ilmoitetun lämpötila-alueen ulkopuolella olevassa lämpötilassa voi vaurioittaa akkua ja lisätä palovaaraa.
- 6) **HUOLTO**
- a) **Huollata sähkötyökalusi asiantuntevalta korjaajalla, joka käyttää vain identtisiä varaosia.** Näin taataan sähkötyökalun turvallisuuden säilyminen.
- b) **Älä koskaan huolla vaurioituneita akkuja.** Akkujen huollon saa tehdä vain valmistaja tai sen valtuuttamat huoltoliikkeet.

PYÖRÖSAHOJEN TURVALLISUUSOHJEET

Sahasmenetelmät

- a) **VAARA: Pidä kädet kaukana sahausalueesta ja terästä.** Jos pidät sahaa molemmin käsin, terä ei voi osua niihin.
- b) **Älä kurota työkalun alle.** Suojus ei voi suojata sinua terältä työkalun alapuolella.
- c) **Säädi leikkaussyvyys työkalun paksuuden mukaan.** Terä saa näkyä työkalun alapuolelta vain hampaan korkeutta vähemmän.
- d) **Älä koskaan pidä työkalua kädessäsi tai jalan päällä sahatessasi. Kiinnitä työkalun vakaalle alustalle.** On tärkeää tukea työkalua oikein kehon alistumisen, terän jumittumisen tai hallinnan menettämisen minimoimiseksi.
- e) **Pidä sähkötyökalua työskentelyn aikana vain eristetyistä tartuntapinnoista, koska leikkaava terä voi osua piilossa oleviin johtoihin.** Osuminen "jännitteeseen" johtoon tekee myös sähkötyökalun metalliosat "jännitteisiksi" ja saattaa aiheuttaa sähköiskun käyttäjälle.
- f) **Käytä halkaisussa aina halkaisuvastetta tai suorareunaista ohjainta.** Tämä parantaa sahausken tarkkuutta ja pienentää terän kiinni jäämisen mahdollisuutta.
- g) **Käytä aina teriä, joissa on oikeankokoiset ja oikeanmuotoiset tuurnareitit (vinoneliö tai pyöreä).** Terät, jotka eivät ole yhteensopivia sahan kiinnityslaitteen kanssa, toimivat epäkäskestäen ja johtavat hallinnan menettämiseen.
- h) **Älä koskaan käytä vaurioituneita tai virheellisiä terän aluslevyjä tai pulttia.** Terän aluslevyt ja pultti on suunniteltu erityisesti sahaasi varten optimaalisen suorituskyvyn ja turvallisuuden varmistamiseksi.

Takapotku ja siihen liittyvät varoitukset

- Takapotku on äkillinen reaktio puristuneeseen, kiinni tarttuneeseen tai väärin kohdistettuun sahanterään, ja se saa aikaan hallitsemattoman sahan nousun ylös ja ulos työkalupäleistä käyttäjää kohti.
- Kun terä on puristuksessa tai tiukasti kiinni tarttuneena halkaisun sulkeutuessa, terä pysähtyy ja moottorin reaktio ohjaa laitteen nopeasti takaisin käyttäjää kohti.
- Jos terä vääntyy tai on kohdistettu väärin sahauskeeseen, terän takareunan hampaat voivat kaivautua puun yläpintaan saaden aikaan terän nousun halkaisusta ja hypähdyksen saamisen käyttäjää kohti.

Takapotku johtuu laitteen väärinkäytöstä ja/tai vääristä käyttötoimenpiteistä tai -käyttöolosuhteista. Se voidaan välttää noudattamalla seuraavia varoituksia:

- a) **Pidä sahasta kiinni tukevalla otteella ja pidä käsivartesi sellaisessa asennossa, että pystyt hallitsemaan takapotkuvoimia. Aseta varalosi terän jommallekummalle puolelle, mutta ei terän suuntaisesti.** Takapotku voi aiheuttaa sahan hypäämisen taaksepäin, mutta käyttäjä voi hallita takapotkuvoimia, jos asianmukaisesti varoitimet on toteutettu.
- b) **Jos terä on jumitunut tai sahaus keskeytetään jostakin syystä, vapauta liipin ja pidä sahaa liikkumattomana materiaalissa, kunnes terä**

pysähtyy kokonaan. Älä koskaan yritä irrottaa sahaa työstä tai vetää sahaa taaksepäin terän ollessa liikkeessä tai takapotku voi tapahtua. Etsi terän jumitumisen syy ja tee korjaavat toimenpiteet syyin poistamiseksi.

- c) **Kun käynnistät sahan uudelleen työkappaleessa, keskitä sahanterä halkaisuun niin, että sahan hampaat eivät kiinnity materiaaliin.** Jos sahanterä jää kiinni, se voi nousta tai aiheuttaa takapotkun työkappaleesta, kun saha käynnistetään uudelleen.
- d) **Tue suuret levyt terän juuttumis- ja takapotkuvaaran minimoimiseksi.** Suurilla levyillä on taipumus painua oman painonsa voimasta. Tuet on sijoitettava levyjen alle molemmin puolin, sahauslinjan lähelle ja levyyn reunan lähelle.
- e) **Älä käytä tylsiä tai vaurioituneita teriä.** Teroittamattomat tai väärin asetetut terät aiheuttavat kapean halkaisun, mikä lisää kitkaa, jumittaa sahanterän ja johtaa takapotkuun.
- f) **Terän syvyyden ja viistesäätövipujen on oltava tiukat ja kiinnitettyinä ennen sahausta.** Jos terän säätö siirtyy sahausken aikana, seurauksena voi olla jumittuminen ja takapotku.
- g) **Ole erityisen varovainen saatessasi olemassa oleviin seiniihin tai muihin katvealueisiin.** Ulkoneva terä voi osua kohteisiin, mikä voi aiheuttaa takapotkun.

Alasuojuksen toiminta

- a) **Tarkista alasuojuksen kunnollinen sulkeutuminen ennen jokaista käyttökertaa. Älä käytä sahaa, jos alasuojus ei liiku vapaasti tai sulkeudu välittömästi. Älä koskaan kiinnitä tai sido alasuojasta avoimeen asentoon.** Jos saha putoaa vahingossa, alasuojus voi taipua. Nosta alasuojusta sisäänvedettävällä kahvalla, ja varmista, että se liikkuu vapaasti eikä kosketa terää tai muuta osaa missään sahauskulmissa tai sahausvyvyksissä.
- b) **Tarkista alasuojuksen jousen toiminta. Jos suojuus ja jousi eivät toimi kunnolla, ne on huollettava ennen käyttöä.** Alasuojus voi toimia hitaasti vaurioituneiden osien, tahmaisen lian tai roskien kerääntymisen johdosta.
- c) **Alasuojus on vedettävä sisään käsin vain erikoissahaustuksissa, kuten ”pistosahausta” ja ”yhdistelmäsahaustus”. Nosta alasuojasta sisäänvedettävällä kahvalla ja heti kun terä tulee materiaaliin, alasuojus on vapautettava.** Kaikissa muissa sahaustuksissa alasuojuksen tulee toimia automaattisesti.
- d) **Tarkista aina, että alasuojus peittää terän, ennen kuin asetat sahan alas työpenkille tai lattialle.** Suojaamaton, liukuva terä saa sahan kulkemaan taaksepäin ja sahaamaan kaiken tielle osuvan. Ota huomioon aika, joka menee terän pysähtymiseen ytkikimen vapauttamisen jälkeen.

LISÄTURVALLISUUSVAROITUKSET

YLEISTÄ

- This tool should not be used by people under the age of 16. Tätä työkalua eivät saa käyttää alle 16-vuotiaat henkilöt
- Tämä saha ei sovellu märkäsahaustukseen
- **Älä koskaan työstä asbestipitoista ainetta (asbestia)**

pidetään karsinogeenisena)

- Sellaisista materiaaleista, kuten liijypitoinen maali, jotkin puulajit, mineraalit ja metalli, tuleva pöly voi olla vahingollista (pölyn kanssa kosketuksiin joutuminen tai sen sisään hengittäminen voi aiheuttaa käyttäjälle tai sivullisille allergiareaktioita ja/tai hengityselinten sairauksia); **käytä hengityssuojainta ja työskentele pölynpoistolaitteen kanssa, kun sellainen on liitettävissä**
- Tietynyttyypiset pölyt on luokiteltu karsinogeenisiksi (kuten tammii- ja pyökkipöly) erityisesti puun käsittelyyn käytettävien lisäaineiden yhteydessä; **käytä hengityssuojainta ja työskentele pölynpoistolaitteen kanssa, kun sellainen on liitettävissä**
- Noudata maakohtaisia pölyn liittyviä sääntöjä
- Älä käytä tätä sahaa yhdessä sahauspöydän kanssa
- Irrota akku työkalusta ennen säätöjen tekemistä tai tarvikkeiden vaihtamista

VARUSTEET

- SKIL pystyy takaamaan työkalun moitteettoman toiminnan vain, kun käytetään alkuperäisiä tarvikkeita
- Käytä vain sellaisia sahanteriä, jotka vastaavat näissä käyttöohjeissa annettuja ominaisuustietoja, ja jotka on testattu ja merkitty EN 847-1 -standardin mukaisesti, jos ne on tarkoitettu puulle ja puun kaltaisille materiaaleille.
- Käytä vain tarvikkeita, joiden sallittu kierrosliku on vähintään yhtä suuri kuin laitteen suurin tyhjäkäyntierrosliku
- **Käytä ainoastaan sahanteriä/katkaisulaikkoja, joiden vähimmäishalkaisija on 115 mm, enimmäishalkaisija 120 mm ja karan aukko 9,5 mm**
- Älä koskaan käytä hiomalaikkoja tämän työkalun kanssa
- Käsittele varusteita ja säilytä ne varoen
- Valitse sahattavaan materiaaliin sopiva sahanterä.

ENNEN KÄYTTÖÄ

- Vältä vaaralliset vahingot, jotka voivat aiheutua nauloista, ruuveista tai muista aineista työstettävissä materiaalissa; poista ne ennen työskentelyn aloittamista
- Poista kaikki esteet sahauslinjan ylä- ja alapuolelta ennen sahausta
- **Kiinnitä työstettävä kappale** (kiinnittimeen tai puristimeen kiinnitetty työstettävä kappale pysyy tukevammoin paikoillaan kuin käsin pidettäessä)
- **Käytä sopivia etsintälaitteita piilossa olevien syöttöjohtojen paikallistamiseksi tai käänny paikallisen jakelu-yhtiön puoleen** (kosketus sähköjohtoon saattaa johtaa tulipaloon ja sähköiskukaan; kaasuputken vahingoittaminen saattaa johtaa räjähdykseen; vesiputkeen tunkeutuminen aiheuttaa aineellista vahinkoa tai saattaa johtaa sähköiskukaan)

KÄYTÖN AIKANA

- Työskenneltäessä melutaso saattaa ylittää 85 dB(A); jolloin suositellaan kuulosuojaimien käyttöä
- Älä koskaan käytä konetta ilman alkuperäisiä suojarusteita
- Älä sahaa pieniä työkappaleita
- Älä käytä sahaa pään yläpuolella
- Jos kyseessä on juuttuminen tai huomaat sähköisen tai mekaanisen vian, sammuta työkalu heti ja irrota akku.

KÄYTÖN JÄLKEEN

- When you put away the tool, switch off the motor and ensure that all moving parts have come to a complete standstill
- After switching off your circular saw, never stop the rotation of the saw blade by a lateral force applied against it

AKUT

- Akku toimitetaan osittain ladattuna (varmista akun suoritusasteho lataamalla akku aivan täyteen akkulaturilla ennen sähkötyökälun ensimmäistä käyttökertaa)
- Käytä työkalun kanssa vain seuraavia akkuja ja latureita
 - SKIL-akku: BR1*31****
 - SKIL-laturi: CR1*31****
- Älä käytä vahingoittunutta akkua, vaan vaihda se
- Älä pura akkua
- Suojaa työkalu/akku sateelta
- Sallittu ympäristön lämpötila (työkalu/laturi/akku):
 - ladattaessa 4...40 °C
 - käytön aikana -20...+50 °C
 - varastoinnin aikana -20...+50 °C

TYÖKALUN/AKUN SYMBOLIEN SELITYKSET

- ③ Lue käyttöohjeet ennen käyttöä
- ④ Akut räjähtävät, jos ne hävitetään polttamalla, joten älä missään tapauksessa polta niitä
- ⑤ Säilytä työkalua/laturia/akkua paikoissa, joissa lämpötila ei ole yli 50 °C
- ⑥ Älä hävitä sähkötyökaluja ja akkuja tavallisen kotitalousjätteen mukana

KÄYTTÖ

- Akun lataaminen
 - ! lue kaikki laturin mukana tulevat turvallisuusvaroitukset ja -ohjeet
- Akun irrottaminen/asentaminen ②
- Akun lataustilan ilmaisin ⑦
 - Näet akun nykyisen varaustason painamalla akun varaustason ilmaispainiketta AB ⑦a
 - ! kun akun ilmaisimen allin taso alkaa vilkkua painikkeen AB painamisen jälkeen ⑦b, akku on tyhjä
 - ! Kun akun ilmaisimen 2 tasoa alkaa vilkkua painikkeen AB painamisen jälkeen ⑦c, akku ei ole sallitulla käyttölämpötila-alueella
- LED-valo T ⑧
 - LED-valo syttyy automaattisesti, kun työkalu käynnistyy
 - ! kun LED-valo alkaa vilkkua, akun suojaus on aktivoitunut (katso alta)
- Akun suojaus
 - Työkalu sammuu automaattisesti tai sitä ei voi kytkeä päälle, jos
 - kuormitus on liian suuri -> vähennä kuormitusta ja käynnistä uudelleen
 - akku lämpötila ei ole sallitulla käyttölämpötila-alueella -20...+50 °C --> 2 akun varaustason valoa alkaa vilkkua, kun painat painiketta AB 7c; odota, kunnes akku on sallitulla käyttölämpötila-alueella uudelleen.
 - akku on lähes tyhjä (suojaus syväpurkautumista vastaan) --> alhainen akun varaustaso tai vilkkuva akun alhainen taso ub näkyy akun lataustason ilmaisimessa, kun painat painiketta AB; lataa akku
 - ! älä jatka virtakytkimen painamista sen jälkeen, kun kone on kytkettynt pois päältä automaattisesti; akku voi vaurioitua
- Sahanterän kiinnittäminen ②
 - ! irrota akku työkalusta
 - ota kuusiokoloavain A säilytyspaikasta B
 - paina karan lukitusnapia F ja pidä se pohjassa irrottaessasi terän pultin AA kääntämällä kuusioavainta

A MYÖTÄPÄIVÄÄN (= sahanterään painetun nuolen suuntaan)

- ! paina karanlukituspainiketta F vain työkalun ollessa pysähdyksissä
- vapauta karanlukituspainike F
- irrota laippa Z
- ! varmista, että laippojen puristuspinnat X ovat täysin puhtaat, ja että ne osoittavat kohti terää
- avaa alasuojus W vivusta S ja pidä siitä kiinni kiinnittäessäsi sahanterää siten, että sahan hampaat ja sahanterään merkitty nuoli osoittavat samaan suuntaan kuin alasuojuksessa oleva nuoli
- vapauta alasuojus W
- kiinnitä laippa Z
- paina karanlukituspainiketta F ja pidä sitä painettuna samalla, kun kiristät terän pulttia kuusiokoloavaimella 1/8 kierroksen verran sormikireyttä tiukemmalle (varmistaa sahanterän liukumisen, kun se kohtaa liian suuren vastuksen, mikä vähentää moottorin ylikuormitusta ja sahan takapotkua)
- vapauta karanlukituspainike F
- Sahaussyvyyden asetus (0-41 mm) ⑨
 - jotta saataisiin paras mahdollinen sahauslaatu, sahanterä saa ulottua työkappaleen alapuolelle korkeintaan 3 mm
 - löysää nuppi Q
 - nosta/laske jalkaa M, kunnes haluamasi sahausussyvyys näkyy asteikon osoittimessa P
 - kiristä nuppi Q
- Sahauskulman asetus (0-45°) ⑩
 - löysää nuppi U
 - kallista työkalua, kunnes haluamasi sahauskulman näkyy asteikon osoittimessa V
 - kiristä nuppi U
- ! reunan viistoamisessa sahausussyvyys ei vastaa sahausussyvyyden asteikolla näkyvää arvoa
- Sahauslinjan osoitin L ⑪
 - ohjaa sahaa haluttua sahauslinjaa pitkin, joka on merkitty työkappaleeseen
 - käytä suoraa 0°:n ja viistoa 45°:n sahausta varten vastaavaa osoitinlinjaa
 - ! jalan leveän osan pitäisi sijaita työkappaleen tuetun osan päällä
 - ! sahausleveys määräytyy terän hampaiden leveyden mukaan eikä terän rungon leveyden mukaan
 - ! suorita aina ensin koehaasu todellisen sahauslinjan tarkistamiseksi
- Polynimi ⑫
 - Voidaksesi käyttää polynimuria
 - liitä polynimurin letku polynimurin sovitteeseen H
 - ! varmista, että polynimurin letku ei pääse häiritsemään alasuojusta eikä sahausta
 - ! älä käytä polynimuria, kun sahaat metalleja
- Työkalun käyttö
 - kiinnitä akku
 - pidä aina kahvasta C tukevasti kiinni
 - aseta saha työkappaleelle siten, että sen pohjalevyyn etusivu lepää työkappaleen päällä
 - ! varmista, etteivät sahanterän hampaat ole kosketuksissa työkappaleeseen
 - käynnistä saha painamalla ensin nuppia E (= turvakytkin, jota ei voida lukita) ja vetämällä sitten

liipaisinta D

! koneen pitää käydä täydellä nopeudella ennen sahanterän kosketusta työstettävään kappaleeseen

- alasuojus W avautuu automaattisesti, kun sahanterä koskettaa työkalpaletta (alasuojus avataan käsin vivusta S vain erikoissahaauksia, kuten esim. pistosahausta, varten)

! älä paina työkalua väkisin (käytä kevyttä ja tasaista painallusta, jotta terän kärjet eivät ylikuumentune)

! pidä työskentelyn aikana kiinni aina työkalun tartunta-alueista

- kun sahaus on suoritettu, sammuta työkalu vapauttamalla liipaisin D

! varmista, että terä on täysin pysähtynyt, ennen kuin irrotat sen työkalpaleesta

VINKKEJÄ

- Käännä työkalpaleen parempi puoli aina alaspäin, jotta pirstoutuminen olisi mahdollisimman vähäistä puuta ja puun kaltaisia materiaaleja sahattaessa.
- Sahan suorituskyky ja sahauslaatu riippuvat olennaisesti sahanterän kunnosta ja hampaiden lukumäärästä.
- Käytä vain teräviä sahanterä, jotka soveltuvat sahattavalle materiaalille (3)
- käytä karkaistusta teräksestä tehtyä sahanterää AC (2) puun, alumiinin, muovin ja kaikenlaisen laminoidun puutavaran sahaamiseen
- käytä timanttilaikkaa AD (2) keramiikan ja laattojen sahaamiseen
- karbidikärkiset terät Y (2) pysyvät terävinä jopa 30 kertaa pidempään kuin tavalliset sahanterät
- Rinnakkaisohjain J (14)
- tarkkoihin sahausiin työkalpaleen reunan suunnassa
- työnnetään jalan etupäässä olevien aukkojen läpi Rinnakkaisohjaimen säätäminen
- löysää ruuvi K kuusiokoloavaimella A
- aseta haluamasi sahausleveys käyttämällä rinnakkaisohjaimen asteikkoo (käytä sahauslinjan osoitinta L 0-arvon osoittimena)
- kiristä ruuvi K
- Pistosahaus (15)
- aseta haluamasi sahausvyvyys
- kallista työkalua eteenpäin siten, että sahauslinjan osoitin L yhtyy haluamaasi sahauslinjaan, joka on merkitty työkalpaleeseen
- avaa alasuojus W vivulla S
- juuri ennen kuin terä uppoaa työkalpaleeseen, käynnistä saha ja laske alas asteittain sen takaosaa käyttäen pohjalevyn etuosaa tukipisteenä
- laske sahaa asteittain alaspäin vieden sitä samalla eteenpäin
- kun terä menee materiaaliin, vapauta vipu S
- ! älä koskaan vedä työkalua taaksepäin
- Isojen levyjen sahaaminen (16)
- aseta levy ennen sahausta lattialle, pöydälle tai työpenkkiin
- ! aseta sahausvyvyys siten, että sahaat levyn läpi etkä tuen läpi
- jos rinnakkaisohjain ei salli halutun levyistä sahausta, kiinnitä suora puupala työkalpaleeseen ohjajimeksi

niin, että jalan vasen puoli tulee tätä ohjainta vasten (17)

- Lisätietoja on osoitteessa www.skil.com

HOITO/HUOLTO

- Tätä työkalua ei ole tarkoitettu ammattikäyttöön
- Pidä työkalu aina puhtaana (erityisesti tuuletusaukot N)
- ! irrota akku työkalusta ennen puhdistamista
- Pidä alasuojuksen W (2) ympäristö aina puhtaana (poista pöly ja lastut puhaltamalla paineilmalla tai harjaamalla)
- Puhdista sahanterä välittömästi käytön jälkeen (erityisesti pihkasta ja liimasta)
- Jos työkalu ei huolellisesta valmistuksesta ja koestusmenettelystä huolimatta toimi asianmukaisella tavalla, tulee laitteen korjaus antaa SKIL-huoltokeskuksen tehtäväksi
- toimita työkalu ostosittteen kanssa ja osiin purkamatta jälleenmyyjälle tai lähimpään SKIL-huoltokeskukseen (osoitteet ja työkalun huoltokaavio löytyvät web-sivustolta www.skil.com)
- Ota huomioon, että takuu ei kata työkalun ylikuormituksesta tai väärästä käsittelystä johtuvia vahinkoja (katso SKIL-takuuehdot osoitteesta www.skil.com tai kysy jälleenmyyjältä)

YMPÄRISTÖNSUOJELU

- Älä hävitä sähkötyökalua, akkuja, paristoja, tarvikkeita tai pakkausta tavallisen kotitalousjätteen mukana (koskee vain EU-maita)
- vanhoja sähkö- ja elektroniikkalaitteita koskevan EU-direktiivin 2012/19/EY ja sen maakohtaisten sovellusten mukaisesti käytetyt sähkötyökalut on toimitettava ongelmajätteen keräyspisteeseen ja ohjattava ympäristöystävälliseen kierrätykseen
- symboli (6) muistuttaa tästä, kun käytöstä poisto tulee ajankohtaiseksi
- ! poistaessasi akun käytöstä peitä plus- ja miinusnapa sähköiteipillä oikosulun estämiseksi

MELU/TÄRINÄ

- Mitattuna standardin EN 62841 mukaan tämän työkalun äänenpaineen taso on 96 dB (A) ja äänitehotaso 107 dB (A) (epävarmuus K = 3 dB) ja tärinä *(kolmeakselisen vektorin summa; epävarmuus K = 1,5 m/s²)
- * puuta sahattaessa < 2,5 m/s²
- * metallia sahattaessa < 2,5 m/s²
- Tärinäsaiteilytaso on mitattu standardin EN 62841 mukaisen standarditestin mukaisesti; sitä voidaan käyttää verrattaessa yhtä laitetta toiseen sekä alustavana tärinälle altistumisen arviona käytettäessä työkalua manituissa käyttötarkoituksissa
- työkalun käyttö eri käyttötarkoituksiin tai erilaisten tai huonosti huolletujen lisävarusteiden kanssa voi nostaa merkittävästi altistumistasoa
- työkalun ollessa sammuksissa tai kun se on käynnissä, mutta sillä ei tehdä työtä, altistumistaso voi alentua merkittävästi
- ! suojaudu tärinän vaikutuksilta huoltamalla työkalu ja sen lisävarusteet, pitämällä kädet lämpiminä ja organisoimalla työmenetelmät

SIERRA MÚLTIPLE COMPACTA SIN ESCOBILLAS

3540

INTRODUCCIÓN

- Esta herramienta está diseñada para serrar en sentido longitudinal y transversal madera, panel de aglomerado, madera contrachapada, aluminio, baldosas, piedra, plástico y materiales ligeros de construcción con cortes rectos y en ángulo de hasta 45°.
- Esta herramienta no está concebida para uso profesional.
- Lea y conserve este manual de instrucciones.③

DATOS TÉCNICOS ①

ELEMENTOS DE LA HERRAMIENTA ②

- A Llave hexagonal
- B Alojamiento para la llave hexagonal
- C Asa
- D Gatillo interruptor
- E Interruptor de seguridad
- F Botón de bloqueo del eje
- G Puerto de extracción de polvo
- H Adaptador para aspirador
- J Guía paralela
- K Tornillo para ajuste de la guía paralela
- L Indicador de la línea de corte
- M Base
- N Ranuras de ventilación
- P Indicador de la profundidad de corte
- Q Botón de ajuste de profundidad de corte
- R Protección superior
- S Palanca para abrir la guarda inferior
- T Luz LED
- U Botón para ajuste del ángulo de corte
- V Indicador del ángulo de corte
- W Guarda inferior
- X Superficies de enganche
- Y Hoja de sierra con dientes de carburo
- Z Brida
- AA Tornillo de la hoja
- AB Botón del indicador del nivel de batería
- AC Hoja de sierra de acero endurecido
- AD Disco de diamante

SEGURIDAD

MEDIDAS DE SEGURIDAD GENERALES PARA HERRAMIENTAS ELÉCTRICAS

⚠ ADVERTENCIA Lea todas las advertencias de seguridad, instrucciones, ilustraciones y especificaciones incluidas con esta herramienta eléctrica. Si no se cumplen todas las instrucciones que se enumeran a continuación, pueden producirse descargas eléctricas, incendios o lesiones graves.

Conserve todas las instrucciones y advertencias para poder consultarlas en el futuro.

El término «herramientas eléctricas» que aparece en las advertencias se refiere tanto a las herramientas que funcionan conectadas a la red eléctrica (con cable) como a las que funcionan con batería (inalámbricas).

1) SEGURIDAD EN LA ZONA DE TRABAJO

- a) **Mantenga la zona de trabajo limpia y bien iluminada.** Las áreas de trabajo desordenadas y oscuras favorecen los accidentes.
- b) **No ponga en funcionamiento las herramientas eléctricas en entornos explosivos como, por ejemplo, donde haya líquidos inflamables, gases o polvo.** Las herramientas eléctricas generan chispas que podrían actuar como detonante de vapores y partículas de polvo inflamables.
- c) **Mantenga a los niños y las demás personas alejados cuando esté utilizando una herramienta eléctrica.** Las distracciones podrían hacerle perder el control de la herramienta.

2) SEGURIDAD ELÉCTRICA

- a) **El enchufe de la herramienta eléctrica debe corresponder con la toma de corriente. No modifique nunca el enchufe de ningún modo. Nunca utilice enchufes adaptadores o ladrones de corriente con herramientas eléctricas equipadas con conexión a tierra.** Si no se modifican los enchufes y estos corresponden con las tomas de corriente, se reducirán enormemente los riesgos de electrocución.
 - b) **Evite cualquier contacto corporal con superficies conectadas a tierra, como tuberías, radiadores, hornillos eléctricos y frigoríficos.** Existe un mayor riesgo de descarga eléctrica si su cuerpo tiene conexión a tierra.
 - c) **No exponga las herramientas eléctricas a la lluvia o a la humedad.** Si penetra agua en una herramienta eléctrica, aumentará el riesgo de descarga eléctrica.
 - d) **No maltrate el cable. Nunca utilice el cable para transportar, arrastrar o desenchufar la herramienta eléctrica. Mantenga el cable alejado del calor, el aceite, los bordes afilados o las piezas móviles.** Los cables dañados o enredados aumentan el riesgo de descarga eléctrica.
 - e) **Cuando use una herramienta eléctrica al aire libre, utilice un cable alargador adecuado para uso en exteriores.** Si se usa un cable adecuado para exteriores, se reducirá el riesgo de descarga eléctrica.
 - f) **Utilice un interruptor diferencial (RCD) si debe utilizar la herramienta eléctrica en un lugar húmedo.** La utilización de un interruptor de protección diferencial reducirá el riesgo de electrocución.
- ### 3) SEGURIDAD PERSONAL
- a) **Manténgase alerta, preste atención a lo que está haciendo y aplique el sentido común durante el uso de una herramienta eléctrica. No use una herramienta eléctrica cuando esté cansado o bajo la influencia de drogas, alcohol o medicación.** Cuando se están usando herramientas eléctricas, cualquier falta de atención, aunque sea por un instante, puede provocar lesiones graves.
 - b) **Utilice equipo de protección personal. Utilice**

siempre protección ocular. El equipo de protección, como máscaras antipolvo, calzado de seguridad antideslizante, casco protector o protección auditiva, cuando se utiliza adecuadamente, reduce las lesiones personales.

- c) **Evite la puesta en marcha accidental de la herramienta. Asegúrese de que el interruptor de encendido se encuentra en la posición de apagado antes de enchufar la herramienta a la red eléctrica y/o de acoplar la batería, así como al agarrar o transportar la herramienta.** Transportar herramientas eléctricas con el dedo en el interruptor o con el interruptor en la posición de encendido aumenta el riesgo de accidente.
- d) **Retire cualquier llave de ajuste o llave inglesa de la herramienta antes de encenderla.** Una llave inglesa o una llave de ajuste enganchada a una parte giratoria de la herramienta puede producir lesiones físicas.
- e) **No se estire demasiado para alcanzar lugares de difícil acceso. Mantenga una posición firme y equilibrada en todo momento.** De este modo podrá controlar mejor la herramienta eléctrica en situaciones inesperadas.
- f) **Mantenga el pelo, la ropa y los guantes alejados de las piezas móviles.** La ropa holgada, así como las joyas o el pelo largo podrían engancharse en las partes móviles.
- g) **Si se incluyen dispositivos de conexión a extractores y colectores de polvo, asegúrese de conectarlos y utilizarlos adecuadamente.** El uso de un colector de polvo puede reducir los riesgos asociados con el polvo.
- h) **El hecho de haberse familiarizado con la herramienta por el uso frecuente no debe hacer que se descuide e ignore los principios de seguridad.** Una distracción puede provocar lesiones graves en una fracción de segundo.

4) UTILIZACIÓN Y CUIDADO DE LAS HERRAMIENTAS ELÉCTRICAS

- a) **No fuerce la herramienta eléctrica. Utilice la herramienta eléctrica adecuada para la tarea que vaya a realizar.** La herramienta correcta funcionará mejor y con más seguridad a la velocidad para la que ha sido diseñada.
- b) **No use la herramienta si el interruptor no funciona para encenderla y apagarla.** Toda herramienta que no se puede controlar con el interruptor es peligrosa y debe repararse.
- c) **Desconecte el enchufe de la toma de corriente o retire la batería de la herramienta antes de realizar algún ajuste, cambiar de accesorios o guardarla.** Estas medidas de seguridad reducen el riesgo de que la herramienta se ponga en marcha por accidente.
- d) **Guarde las herramientas eléctricas apagadas fuera del alcance de niños y no deje que las usen personas que no estén familiarizadas con estas instrucciones o con las herramientas.** Las herramientas eléctricas son peligrosas si las usan personas sin experiencia.
- e) **Cuide las herramientas eléctricas y sus accesorios. Compruebe si hay elementos móviles desalineados o trabados, piezas rotas u otra circunstancia que pueda afectar al funcionamiento de la herramienta.**

Si la herramienta eléctrica está dañada, llévela a reparar antes de usarla. Muchos accidentes se deben a un mantenimiento deficiente de las herramientas eléctricas.

- f) **Mantenga las herramientas de corte afiladas y limpias.** Las herramientas de corte bien afiladas tienen menos probabilidades de atascarse y son más fáciles de controlar.
 - g) **Use la herramienta eléctrica, los accesorios, las brocas, etc., siguiendo las instrucciones y teniendo en cuenta las condiciones de trabajo y la tarea a realizar.** El uso de las herramientas eléctricas para fines diferentes a los previstos podría provocar situaciones de peligro.
 - h) **Mantenga las asas y las superficies de agarre secas, limpias y libres de aceite y grasa.** Si las asas y las superficies de agarre están resbaladizas no se puede manejar la herramienta de forma segura ni mantener el control en las situaciones inesperadas.
- #### 5) UTILIZACIÓN Y MANTENIMIENTO DE HERRAMIENTAS A BATERÍA
- a) **Recargue únicamente con el cargador especificado por el fabricante.** Un cargador que es adecuado para un tipo de batería podría ocasionar un incendio si se utiliza con una batería distinta.
 - b) **Utilice herramientas eléctricas solamente con las baterías diseñadas específicamente para ellas.** El uso de cualquier otro tipo de batería puede provocar riesgo de lesiones e incendio.
 - c) **Cuando no se esté utilizando la batería, manténgala apartada de objetos metálicos como clips para papeles, monedas, llaves, clavos, tornillos, o cualquier otro objeto metálico pequeño que pudiera provocar un cortocircuito en sus terminales de corriente.** Si se provoca el cortocircuito en los terminales de la batería, podrían producirse quemaduras o incendios.
 - d) **En condiciones de uso intensivo, es posible que se produzca una fuga de ácido de la batería. Evite el contacto con el ácido. Enjuague con agua si se produce un contacto accidental. Si el líquido entra en contacto con los ojos, solicite también atención médica.** El líquido que emana de la batería puede provocar irritaciones o quemaduras.
 - e) **No utilice una batería o una herramienta que haya sido modificada o que esté dañada.** Las baterías dañadas o modificadas pueden tener un comportamiento impredecible y provocar un incendio, explosión o riesgo de lesiones.
 - f) **No exponga la batería ni la herramienta al fuego ni a una temperatura excesiva.** La exposición al fuego o a una temperatura superior a 130°C podría provocar una explosión.
 - g) **Siga todas las instrucciones de carga y no cargue la batería ni la herramienta fuera del rango de temperatura especificado en las instrucciones.** Una carga incorrecta o a temperaturas fuera del rango especificado puede dañar la batería y aumentar el riesgo de incendio.
- #### 6) SERVICIO TÉCNICO
- a) **Las reparaciones de las herramientas eléctricas debe realizarlas un técnico cualificado, utilizando solo piezas de recambio idénticas.** De este modo,

podrá garantizarse la seguridad de uso de la herramienta eléctrica.

- b) **No repare nunca baterías que estén dañadas.** Las baterías solo debe repararlas el fabricante o un centro de servicio técnico autorizado.

INSTRUCCIONES DE SEGURIDAD PARA SIERRAS CIRCULARES

Procedimientos de corte

- a) **PELIGRO: Mantenga las manos alejadas de la zona de corte y de la hoja.** Si ambas manos sostienen la sierra, no pueden ser cortadas por la hoja.
- b) **No meta la mano debajo de la pieza de trabajo.** El dispositivo de protección no puede protegerle de la hoja debajo de la pieza de trabajo.
- c) **Ajuste la profundidad de corte al grosor de la pieza de trabajo.** Debe verse menos de un diente completo de los dientes de la hoja por debajo de la pieza de trabajo.
- d) **No sujete nunca la pieza de trabajo en las manos ni sobre la pierna mientras corta. Sujete la pieza de trabajo a una plataforma estable.** Es importante apoyar el trabajo adecuadamente para minimizar la exposición del cuerpo, el atascamiento de la hoja o la pérdida de control.
- e) **Sujete la herramienta eléctrica por las superficies de agarre aisladas en aquellos trabajos donde el elemento de corte pueda entrar en contacto con cables ocultos.** El contacto con un cable bajo tensión podría hacer que las piezas metálicas expuestas de la herramienta eléctrica transmitan tensión y provoquen una descarga eléctrica al usuario.
- f) **Al copiar, utilice siempre un tope paralelo o una guía de borde recto.** Esto mejora la precisión del corte y reduce la posibilidad de que la hoja se atasque.
- g) **Utilice siempre hojas del tamaño correcto y con la forma adecuada (rombo o redonda) del agujero.** Las hojas que no coincidan con el equipo de montaje de la sierra funcionarán descentradas y provocarán una pérdida de control.
- h) **Nunca use arandelas o pernos de hoja dañados o incorrectos.** Las arandelas y el perno de la hoja han sido diseñados especialmente para su sierra, para lograr un rendimiento óptimo y un funcionamiento seguro.

Causas de retroceso y advertencias relacionadas

- El retroceso es una reacción repentina a una hoja de sierra enganchada, atascada o desalineada, que hace que la sierra incontrolada se levante y salga de la pieza de trabajo hacia el usuario.
- Cuando la hoja se engancha o se atasca con fuerza debido al cierre de la ranura, la hoja se detiene y la reacción del motor impulsa la unidad rápidamente hacia el usuario.
- Si la hoja se tuerce o se desalinea en el corte, los dientes del borde posterior de la hoja pueden clavarse en la superficie superior de la madera y hacer que la hoja salga de la ranura y salte hacia el usuario.

El retroceso se produce debido a un uso o funcionamiento incorrecto de la sierra, o debido a su mal estado. Podrá

evitarse adoptando las medidas preventivas que se detallan a continuación:

- a) **Mantenga un agarre firme de la sierra y coloque los brazos para resistir las fuerzas de retroceso. Coloque su cuerpo a ambos lados de la hoja, pero no en línea con la hoja.** El retroceso puede hacer que la sierra salte hacia atrás, pero el usuario puede controlar las fuerzas de retroceso adoptando las precauciones adecuadas.
- b) **Cuando la hoja se atasque, o cuando interrumpa un corte por cualquier motivo, suelte el gatillo y mantenga la sierra inmóvil en el material hasta que la hoja se detenga por completo. Nunca intente sacar la sierra de la pieza de trabajo ni tirar de la sierra hacia atrás mientras la hoja está en movimiento, ya que podría producirse un retroceso.** Investigue y tome medidas correctivas para eliminar la causa del atascamiento de la hoja.
- c) **Cuando vuelva a poner en marcha la sierra en la pieza de trabajo, centre la hoja de la sierra en la ranura para que los dientes de la sierra no se enganchen en el material.** Si una hoja de sierra se atasca, puede subir o retroceder desde la pieza de trabajo cuando se vuelve a encender la sierra.
- d) **Apoye los paneles grandes para minimizar el riesgo de que la hoja se enganche y se produzca un retroceso.** Los paneles grandes tienden a combarse por su propio peso. Los soportes deben colocarse debajo del panel en ambos lados, cerca de la línea de corte y cerca del borde del panel.
- e) **No utilice hojas desafiladas o dañadas.** Las hojas que no estén afiladas o que estén mal ajustadas producen un corte estrecho que provoca un exceso de fricción, atasco de la hoja y retroceso.
- f) **Las palancas de bloqueo de ajuste de bisel y profundidad de la hoja deben estar apretadas y seguras antes de realizar el corte.** Si el ajuste de la hoja se desplaza durante el corte, puede causar atascamiento y retroceso.
- g) **Tenga especial cuidado al cortar en paredes existentes u otras áreas ciegas.** La hoja que sobresale puede cortar objetos que podrían provocar un retroceso.

Función de protección inferior

- a) **Verifique que la protección inferior cierre correctamente antes de cada uso. No opere la sierra si la protección inferior no se mueve libremente y no se cierra al instante. Nunca sujete ni ate la protección inferior en la posición abierta.** Si la sierra se cae accidentalmente, la protección inferior puede doblarse. Levante la protección inferior con el mango retráctil y asegúrese de que se mueva libremente y no toque la hoja ni ninguna otra parte, en todos los ángulos y profundidades de corte.
- b) **Verifique el funcionamiento del resorte de la protección inferior. Si la protección y el resorte no funcionan correctamente, deben repararse antes del uso.** La protección inferior puede funcionar con lentitud debido a piezas dañadas, depósitos gomosos o acumulación de residuos.
- c) **La protección inferior puede retraerse manualmente**

solo para cortes especiales como «cortes de inmersión» y «cortes compuestos». Levante la protección inferior por el mango retráctil y en cuanto la hoja entre en el material, la protección inferior debe soltarse. Para todos los demás trabajos de serrado, la protección inferior debe funcionar automáticamente.

- d) **Compruebe siempre que la protección inferior cubra la hoja antes de colocar la sierra en un banco o en el suelo.** Una hoja que se desplaza sin protección hará que la sierra se mueva hacia atrás, cortando todo lo que se encuentre en su camino. Tenga en cuenta el tiempo que tarda la hoja en detenerse después de soltar el interruptor.

INSTRUCCIONES DE SEGURIDAD ADICIONALES

GENERAL

- Esta herramienta no deben utilizarla personas menores de 16 años
- Esta herramienta no es adecuada para hacer cortes con agua
- **No trabaje materiales que contengan amianto (el amianto se considera cancerígeno)**
- El polvo de materiales como pintura que contenga plomo, algunas especies de madera, minerales y metal podrían ser dañinos (el contacto o inhalación del polvo podría producir reacciones alérgicas y trastornos respiratorios al usuario o a otras personas que se encuentrasen en la zona); **utilice una máscara contra el polvo y trabaje con un dispositivo de extracción de polvo cuando se pueda conectar**
- Ciertos tipos de polvo están catalogados como cancerígenos (por ejemplo, el polvo de roble y de haya) especialmente junto con aditivos para el acondicionamiento de la madera; utilice una máscara contra el polvo y trabaje con un dispositivo de extracción de polvo cuando se pueda conectar
- Siga la normativa nacional en cuanto a extracción de polvo, en función de los materiales que vayan a ser utilizados
- No utilice esta sierra en combinación con una base de sierra
- Extraiga la batería de la herramienta antes de realizar cualquier ajuste o cambiar los accesorios

ACCESORIOS

- SKIL únicamente puede garantizar un funcionamiento correcto de la herramienta al emplear accesorios originales
- Únicamente use hojas de sierra con las características indicadas en estas instrucciones de manejo que hayan sido ensayadas y vayan marcadas conforme a EN 847-1, si están previstas para madera y materiales similares a la madera.
- Utilice únicamente accesorios cuyo límite de revoluciones permitido sea como mínimo igual a las revoluciones en vacío máximas de la herramienta
- **Utilice únicamente hojas de sierra/discos de corte con un diámetro mínimo de 115 mm, un diámetro máximo de 120 mm y un orificio para el eje de 9,5 mm**
- Nunca utilice discos de amolar con esta herramienta
- Maneje y guarde accesorios con cuidado
- Identifique la hoja de sierra correcta para el material a cortar.

ANTES DEL USO

- Evite los daños que puedan causar los tornillos, clavos y otros objetos sobre la pieza de trabajo; retírelos antes de empezar a trabajar
- Antes de empezar a cortar, aparte todos los obstáculos que haya encima y debajo de la línea de corte
- **Asegure la pieza de trabajo** (una pieza de trabajo fijada con unos dispositivos de sujeción o en un tornillo de banco, se mantiene sujeta de forma mucho más segura que con la mano)
- **Utilice aparatos de detección adecuados para localizar posibles conductores o tuberías ocultas, o consulte a su compañía abastecedora** (el contacto con conductores eléctricos puede provocar una descarga eléctrica o un incendio; al dañar una tubería de gas puede producirse una explosión; la perforación de una tubería de agua puede causar daños materiales o una descarga eléctrica)

DURANTE EL USO

- El nivel de ruido, con la herramienta trabajando, podrá sobrepasar 85 dB(A); usar protectores auditivos
- Nunca utilice su herramienta sin la capa de protección original sistemática
- No intente cortar piezas extremadamente pequeñas
- No trabaje con herramientas a una altura por encima de la cabeza
- En caso de que se produzca un atasco o una avería eléctrica o mecánica, apague inmediatamente la herramienta y quite la batería.

DESPUÉS DEL USO

- Ponga atención al guardar su herramienta de que el motor esté apagado y las partes móviles se hayan detenido por completo
- Al desconectar su sierra circular, nunca frene la rotación de la hoja empujando algo contra ella lateralmente

PILAS

- La batería se entrega parcialmente cargada (para poder aprovechar toda la capacidad de la batería, cárguela por completo en el cargador antes de utilizar la herramienta eléctrica por primera vez).
- Utilice únicamente los siguientes cargadores y baterías con esta herramienta
 - Batería SKIL: BR1*31****
 - Cargador SKIL: CR1*31****
- No utilice la batería si está deteriorada, es necesario cambiarla
- No desarme la batería
- No exponga la herramienta/batería a la lluvia
- Temperatura ambiente permitida (herramienta/cargador/batería):
 - durante la carga 4...40 °C
 - durante el funcionamiento -20...+50 °C
 - durante el almacenamiento -20...+50 °C

EXPLICACIÓN DE SÍMBOLOS DE HERRAMIENTA/BATERÍA

- ③ Lea el manual de instrucciones antes de utilizarla
- ④ Las baterías estallarán si se tiran al fuego, por ningún motivo caliente las baterías.
- ⑤ Guarde la herramienta/cargador/batería en un lugar donde la temperatura no exceda los 50 °C
- ⑥ No deseche las herramientas eléctricas y las pilas junto con los residuos domésticos

USO

- Recarga de la batería
 - ! **Lea las instrucciones y la advertencias de seguridad incluidas con el cargador.**
- Desmontaje/instalación de la batería ②
- Indicador del nivel de carga de la batería ⑦
 - Pulse el botón indicador del nivel de carga de la batería AB para ver el nivel actual de carga ⑦a.
 - ! **Cuando empiece a parpadear el nivel inferior del indicador de la batería después de pulsar el botón AB ⑦b, significa que la batería está descargada.**
 - ! **Cuando empiecen a parpadear 2 niveles del indicador de la batería después de pulsar el botón AB ⑦c, significa que la batería no está dentro del rango de temperatura de funcionamiento permitido.**
- Luz LED T ⑧
 - La luz LED se enciende automáticamente cuando la herramienta se pone en funcionamiento.
 - ! **Cuando el indicador LED empieza a parpadear, se activa la protección de la batería (véase a continuación)**
- Protección de la batería
 - La herramienta se apaga inmediatamente, o se impide su encendido, cuando
 - **la carga es demasiado alta** -> retire la carga y vuelva a ponerla en marcha
 - **la temperatura de la batería no se encuentra dentro del rango admisible de temperaturas de funcionamiento entre -20 °C y +50 °C** -> los 2 niveles del indicador de la batería empiezan a parpadear cuando se pulsa el botón AB 7c; espere hasta que la batería vuelva a estar dentro del rango admisible de temperaturas de funcionamiento
 - **la batería está casi descargada (como protección contra una descarga intensa)** -> el indicador del nivel de la batería señala un nivel bajo de carga o un nivel bajo de carga intermitente ub cuando se pulsa el botón AB; cargue la batería
 - ! **No siga pulsando el interruptor de encendido/apagado después de que se apague automáticamente la herramienta; se puede dañar la batería.**
- Montaje de la hoja de sierra ②
 - ! **Quite la batería de la herramienta**
 - Tome la llave hexagonal A del alojamiento B
 - Presione el botón de bloqueo del eje F y sujételo mientras extrae el tornillo de la hoja AA girando la llave hexagonal EN SENTIDO HORARIO (= en la misma dirección que la de la flecha impresa en la hoja de la sierra)
 - ! **Apriete el botón de bloqueo del eje F solamente cuando la herramienta se haya detenido.**
 - Suelte el botón de bloqueo del eje F
 - Quite la brida Z
 - ! **Asegúrese de que las superficies de enganche X de las bridas estén perfectamente limpias y estén encaradas a la hoja.**
 - Abra la protección inferior W con la palanca S y sujétela mientras monta la hoja de sierra con los dientes de la sierra y la flecha impresa en la hoja apuntando en la misma dirección que la flecha mostrada en la protección superior.
 - Suelte la protección inferior W
- Monte la brida Z
- Pulse el botón de bloqueo del eje F y manténgalo pulsado mientras aprieta el tornillo de la hoja con la llave hexagonal dando 1/8 de giro después de que esté apretado al máximo con los dedos (asegura que la hoja de sierra resbale si encuentra excesiva resistencia, y evita que el motor se sobrecargue y la sierra retroceda).
- Suelte el botón de bloqueo del eje F
- Ajuste de la profundidad de corte (0-41 mm) ⑨
 - para obtener una óptima calidad de corte, la hoja no debe profundizar más de 3 mm en la pieza de trabajo
 - Afloje la tuerca Q
 - Levante/baje la base M hasta que la profundidad de corte deseada esté ajustada en la escala, usando para ello el indicador P.
 - Apriete la tuerca Q
- Ajuste del ángulo de corte (0-45°) ⑩
 - Afloje la tuerca U
 - Incline la herramienta hasta que el ángulo de corte deseado esté ajustado en la escala, usando para ello el indicador V.
 - Apriete la tuerca U
- ! **Para cortes biselados, la profundidad de corte se corresponde con el valor en la escala de profundidad de corte**
- Indicador de línea de corte L ⑪
 - para guiar la herramienta a lo largo de la línea de corte deseada, márquela en la pieza de trabajo
 - para un corte recto de 0° o para biselar a 45°, use el indicador de la línea adecuado
 - ! **La parte ancha de la base debe de reposar en el soporte de la pieza de trabajo**
 - ! **La anchura de corte viene determinada por el ancho de los dientes de la hoja y no por el ancho del cuerpo de la sierra**
 - ! **Realice siempre cortes de prueba para verificar la línea de corte real**
- Aspiración de polvo ⑫
 - Para utilizar el aspirador
 - Conecte la manguera del aspirador al adaptador para aspirador H
 - ! **Nunca permita que la manguera del aspirador interfiera con la protección inferior o con la operación de corte**
 - ! **no use un aspirador cuando corte metal**
- Utilización de la herramienta
 - instale la batería
 - Sujete siempre el asa C con firmeza
 - colocar la herramienta con la parte delantera de la misma tendida sobre la pieza de trabajo
 - ! **Asegúrese de que los dientes de la hoja no estén encajados en la pieza de trabajo**
 - Ponga en marcha la herramienta pulsando primero el botón E (= interruptor de seguridad que no puede bloquearse) y apretando después del gatillo D
 - ! **La herramienta debe funcionar a la velocidad máxima antes de que la hoja penetre en la pieza de trabajo**
 - La protección inferior W se abre automáticamente cuando la hoja de sierra penetra en la pieza de trabajo (abrir la protección inferior manualmente con la

palanca S solo para cortes especiales como cortes de inmersión)

! No fuerce la herramienta (aplique una presión ligera y continua para evitar que se recalienten los dientes de la hoja)

! Durante el trabajo, sujete siempre la herramienta por la(s) zona(s) de agarre

- Después de haber realizado el corte, pare la herramienta soltando el gatillo D

! asegúrese de que la hoja esté completamente parada antes de levantar la herramienta de la pieza de trabajo

CONSEJOS DE APLICACIÓN

- Cuando sierre madera y materiales similares a la madera, coloque siempre el lado bueno de la pieza de trabajo hacia abajo, para asegurar un mínimo astillado.
- El rendimiento de la sierra y la calidad del corte dependen esencialmente del estado y del número de dientes de la hoja de sierra.
- Utilice únicamente hojas de sierra afiladas y adecuadas para el material a cortar ⁽¹³⁾
 - Utilice una hoja de sierra de acero endurecido ⁽²⁾ para cortar madera, aluminio, plástico y todo tipo de madera laminada
 - Utilice un disco de diamante AD ⁽²⁾ para cortar materiales cerámicos y baldosas
 - Las hojas de sierra con dientes de carburo (Widia) Y ⁽²⁾ se mantienen afiladas hasta 30 veces más que las hojas normales
- Guía paralela J ⁽¹⁴⁾
 - para hacer cortes exactos a lo largo de una esquina de la pieza de trabajo
 - Inserte a través de las ranuras en el extremo delantero de la base

Ajuste de la guía paralela

- Afloje el tornillo K con la llave hexagonal A
- Ajuste a la anchura del corte deseado, utilizando la escala de la guía paralela (utilice el indicador de la línea de corte L como referencia 0)
- Apriete el tornillo K

- Corte inclinado ⁽¹⁵⁾
 - fijar la profundidad de corte deseada
 - Incline la herramienta hacia adelante con el indicador de la línea de corte L alineado con la línea de corte deseada y marcada en la pieza de trabajo
 - Abra la protección inferior W con la palanca S
 - justo antes de que la sierra penetre en la pieza de trabajo, desvíe la herramienta y baje gradualmente la parte delantera de la herramienta, usando el frontal de la base como punto de apoyo
 - mover la herramienta gradualmente, tanto hacia abajo, como hacia adelante
 - En cuanto la hoja entre en el material, suelte la palanca S

! Nunca tire de la herramienta hacia atrás

- Cortar tableros largos ⁽¹⁶⁾
 - sostener el tablero, bien en el suelo, mesa o banco de trabajo

! Ajuste la profundidad de corte de manera que se corte a través del panel y no del soporte

- En caso de que la guía paralela no permita la anchura de corte deseada, empalme o clave una pieza de

madera recta a la pieza de trabajo como guía, y use la parte izquierda de la base contra esta guía ⁽¹⁷⁾

- Si desea más información, visite www.skil.com

MANTENIMIENTO/SERVICIO TÉCNICO

- Esta herramienta no está concebida para uso profesional
- Mantenga siempre limpia la herramienta (sobre todo las ranuras de ventilación N)
 - ! Quite la batería de la herramienta antes de la limpieza.**
 - Mantenga siempre limpia la zona alrededor de la protección inferior W ⁽²⁾ (elimine el polvo y las virutas soplando con aire comprimido o con un cepillo)
 - Limpie la hoja de sierra después de cada uso (especialmente de resina y cola)
 - Si a pesar de los esmerados procesos de fabricación y control, la herramienta llegase a averiarse, la reparación deberá encargarse a un servicio técnico autorizado para herramientas eléctricas SKIL
 - Envíe la herramienta sin desmontar junto con una prueba de su compra a su distribuidor o al centro de servicio técnico más cercano de SKIL (las direcciones y el diagrama de despiece de la herramienta están en www.skil.com).
 - Tenga en cuenta que los daños debido a sobrecarga o a un manejo inadecuado del producto estarán excluidos de la garantía (consulte las condiciones de garantía de SKIL en www.skil.com o consulte a su distribuidor).

MEDIO AMBIENTE

- No deseche las herramientas eléctricas, las baterías, los accesorios y los embalajes junto con los residuos domésticos (solo para países de la Unión Europea).
 - de conformidad con la Directiva Europea 2012/19/CE sobre residuos de aparatos eléctricos y electrónicos y su aplicación de acuerdo con la legislación nacional, las herramientas eléctricas cuya vida útil haya llegado a su fin se deberán recoger por separado y trasladar a una planta de reciclaje que cumpla con las exigencias ecológicas
 - El símbolo ⁽⁶⁾ llamará su atención cuando sea necesaria la eliminación.
- ! Antes de eliminarla, proteja los terminales de la batería con cinta aislante para evitar un cortocircuito.**

RUIDOS/VIBRACIONES

- Realizando mediciones según EN62841, el nivel de presión acústica de esta herramienta es 96 dB(A) y el nivel de potencia acústica es de 107 dB(A) (incertidumbre K = 3 dB), y la vibración es *(suma vectorial triaxial; incertidumbre K = 1,5 m/s²).
 - * corte de madera < 2,5 m/s²
 - * corte de metal < 2,5 m/s²
- El nivel de emisión de vibraciones ha sido medido según una prueba estándar proporcionada en la norma EN 62841; puede utilizarse para comparar una herramienta con otra y como valoración preliminar de la exposición a las vibraciones al utilizar la herramienta con las aplicaciones mencionadas
 - al utilizarla para distintas aplicaciones o con accesorios diferentes o con un mantenimiento deficiente, podría

aumentar de forma considerable el nivel de exposición.
- en las ocasiones en que se apaga la herramienta o cuando está funcionando pero no está realizando ningún trabajo, se podría reducir considerablemente el nivel de exposición.

! **Protéjase contra los efectos de la vibración realizando el mantenimiento de la herramienta y sus accesorios, manteniendo sus manos calientes y organizando sus patrones de trabajo.**

P

SERRA MULTIUSOS COMPACTA SEM ESCOVAS

3540

INTRODUÇÃO

- Esta ferramenta foi criada para serrar em linha reta e cruzada madeira, contraplacado, placas de gesso, alumínio, azulejo, pedra, plástico e materiais de construção leves com cortes retos, bem como angulares até 45°.
- Esta ferramenta não foi criada para utilização profissional.
- Leia e guarde este manual de instruções.③

CARACTERÍSTICAS TÉCNICAS ①

ELEMENTOS DA FERRAMENTA ②

- A Chave sextavada
- B Espaço de arrumação da chave sextavada
- C Pega
- D Gatilho do interruptor
- E Interruptor de segurança
- F Botão de bloqueio do eixo
- G Porta de extração do pó
- H Adaptador do aspirador
- J uia paralela
- K Parafuso para ajustar a guia paralela
- L Indicador da linha de corte
- M Placa do pé
- N Ranhuras de ventilação
- P Indicador da profundidade de corte
- Q Manípulo para definir a profundidade de serrar
- R Proteção superior
- S Alavanca para abrir a proteção inferior
- T Luz LED
- U Manípulo para ajustar o ângulo de corte
- V Indicador do ângulo de corte
- W Proteção inferior
- X Superfície de fixação
- Y Lâmina da serra com ponta de carboneto
- Z Rebordo
- AA Parafuso da lâmina
- AB Botão do indicador do nível da bateria
- AC Lâmina da serra de aço endurecido
- AD Disco de diamante

SEGURANÇA

AVISOS DE SEGURANÇA GERAIS DA FERRAMENTA ELÉTRICA

⚠ **AVISO** Leia todos os avisos de segurança, instruções, ilustrações e especificações fornecidas com esta ferramenta elétrica. Não seguir todas as instruções apresentadas abaixo pode resultar em choque elétrico, incêndio e/ou ferimentos graves.

Guarde todos os avisos e instruções para futuras referências.

O termo “ferramenta elétrica” nos avisos diz respeito à sua ferramenta alimentada pela rede (com fio) ou com bateria (sem fio).

1) SEGURANÇA NA ÁREA DE TRABALHO

- Mantenha a área de trabalho limpa e bem iluminada.** Áreas desarrumadas ou escuras são propícias a acidentes.
- Não ligue ferramentas elétricas em atmosferas explosivas, tal como na presença de líquidos inflamáveis, gases ou pó.** As ferramentas elétricas geram faíscas que podem provocar a ignição dos fumos ou pó.
- Mantenha as crianças e pessoas que passem afastadas enquanto trabalhar com uma ferramenta elétrica.** As distrações podem fazer com que perca o controle.

2) SEGURANÇA ELÉTRICA

- As fichas da ferramenta elétrica têm de corresponder à tomada. Nunca modifique uma ficha de forma alguma. Não utilize qualquer adaptador com ferramentas elétricas com ligação à terra.** Fichas não modificadas e tomadas correspondentes reduzirão o risco de choque elétrico.
- Evite o contacto do corpo com superfícies ligadas à terra, tais como tubos, radiadores, bases e frigoríficos.** Existe um risco acrescido de choque elétrico se o seu corpo estiver ligado à terra.
- Não exponha as ferramentas elétricas à chuva ou a condições húmidas.** A entrada da água na ferramenta elétrica aumentará o risco de choque elétrico.
- Não force o fio da alimentação. Nunca utilize o fio para transportar, puxar ou desligar a ferramenta elétrica. Mantenha o fio afastado do calor, óleo, arestas afiadas ou peças móveis.** Fios danificados ou presos aumentam o risco de choque elétrico.
- Quando estiver a trabalhar com uma ferramenta elétrica ao ar livre, utilize uma extensão adequada para a utilização no exterior.** A utilização de um fio adequado ao exterior reduz o risco de choque elétrico.
- Se for inevitável trabalhar com uma ferramenta elétrica num local húmido, use uma alimentação protegida por um dispositivo de corrente residual (DCR).** A utilização de um DCR reduz o risco de choque elétrico.

3) SEGURANÇA PESSOAL

- Mantenha-se alerta, observe o que está a fazer e use senso comum quando estiver a trabalhar com uma ferramenta elétrica. Não use uma ferramenta**

elétrica enquanto estiver cansado ou sob o efeito de drogas, álcool ou medicação. Um momento de falta de atenção enquanto trabalha com ferramentas elétricas pode resultar em ferimentos graves.

- b) **Use equipamento pessoal de proteção. Use sempre proteção ocular.** O equipamento de segurança, tal como máscara respiratória, calçado de segurança antiderrapante, capacete de segurança ou proteção auditiva, utilizado nas condições adequadas reduzirá a hipótese de ferimentos.
- c) **Evite ligações sem intenção. Certifique-se de que o interruptor se encontra na posição de desligado antes de ligar a fonte de energia e/ou à bateria ao agarrar ou transportar a ferramenta.** Transportar ferramentas elétricas com o seu dedo no interruptor ou fornecer energia a ferramentas elétricas que tenham o interruptor na posição de ligado convida a acidentes.
- d) **Retire qualquer chave de ajuste ou chave de fendas antes de ligar a ferramenta elétrica.** Uma chave de porcas ou uma chave deixada ligada a uma peça rotativa da ferramenta elétrica pode provocar ferimentos.
- e) **Não se estique. Mantenha sempre a base e o equilíbrio adequados.** Isso proporciona um melhor controlo da ferramenta elétrica em situações inesperadas.
- f) **Mantenha o seu cabelo e roupa afastados das peças móveis.** Roupas largas, joias ou cabelo comprido podem ser apanhados pelas peças em movimento.
- g) **Se forem fornecidos dispositivos para a ligação de extração de pó e facilidades de recolha, certifique-se de que estes estão ligados e de que são devidamente utilizados.** A utilização da recolha do pó pode reduzir os perigos relacionados com o pó.
- h) **Não permita que a familiarização ganhe com a utilização de ferramentas e torne mais complacente e ignore os princípios de segurança da ferramenta.** Uma ação descuidada pode causar graves ferimentos numa fração de segundo.

4) UTILIZAÇÃO E CUIDADOS DA FERRAMENTA ELÉTRICA

- a) **Não force a ferramenta elétrica. Utilize a ferramenta elétrica correta para a sua aplicação.** A ferramenta elétrica correta fará o trabalho melhor e de forma mais segura ao ritmo para o qual foi concebida.
- b) **Não utilize a ferramenta elétrica se o interruptor não a ligar ou desligar.** Qualquer ferramenta que não possa ser controlada com o interruptor é perigosa e deve ser reparada.
- c) **Desligue a ficha da alimentação e/ou retire a bateria da ferramenta elétrica, se amovível, antes de fazer quaisquer ajustes, mudar de acessórios ou armazenar a ferramenta elétrica.** Tais medidas preventivas de segurança reduzem o risco de ligar a ferramenta elétrica acidentalmente.
- d) **Guarde ferramentas elétricas sem carga fora do alcance de crianças e não permita que pessoas estranhas às ferramentas elétricas ou a estas instruções trabalhem com a ferramenta elétrica.** As ferramentas elétricas são perigosas nas mãos de utilizadores sem formação.
- e) **Proceda à manutenção das ferramentas elétricas e acessórios. Verifique desalinhamentos ou bloqueios das peças móveis, peças partidas e**

quaisquer outras condições que possam afetar o funcionamento da ferramenta elétrica. Se estiver danificada, leve a ferramenta elétrica para ser reparada antes da utilização. Muitos acidentes são provocados pela fraca manutenção das ferramentas elétricas.

- f) **Mantenha as ferramentas de corte afiadas e limpas.** Ferramentas de corte devidamente mantidas e com arestas de corte afiadas têm uma menor probabilidade de prender e são mais fáceis de controlar.
 - g) **Use a ferramenta elétrica, acessórios e brocas, etc., de acordo com estas instruções, tendo em conta as condições de trabalho e o trabalho a ser efetuado.** A utilização da ferramenta elétrica para operações diferentes daquelas para que foi criada pode dar origem a uma situação perigosa.
 - h) **Mantenha as pegas e superfícies de segurar secas, limpas e sem óleo ou gordura.** Pegas e superfícies de segurar escorregadias não permitem o manuseamento seguro nem o controlo da ferramenta em situações inesperadas.
- #### 5) UTILIZAÇÃO E CUIDADOS DA FERRAMENTA COM A BATERIA
- a) **Recarregue apenas com o carregador especificado pelo fabricante.** Um carregador que seja adequado a um tipo de bateria pode criar um risco de incêndio quando usado com outra bateria.
 - b) **Use ferramentas elétricas apenas com as baterias especificamente designadas.** A utilização de outras baterias pode criar um risco de ferimentos e incêndio.
 - c) **Quando não usar a bateria, mantenha-a afastada de outros objetos de metal, como cliques de papel, moedas, chaves, pregos, parafusos ou outros pequenos objetos de metal que possam fazer a ligação entre os dois terminais.** Colocar os terminais da bateria em curto-circuito pode dar origem a queimaduras ou fogo.
 - d) **Sob condições abusivas, pode ser ejetado líquido da bateria; evite o contacto. Se ocorrer um contacto accidental, lave com água abundante. Se o líquido entrar em contacto com os olhos, procure ajuda médica.** O líquido ejetado da bateria pode provocar irritação ou queimaduras.
 - e) **Não use a bateria nem a ferramenta se estiverem danificadas ou modificadas.** Baterias danificadas ou modificadas podem apresentar comportamentos imprevisíveis, dando origem a fogo, explosão ou risco de lesões.
 - f) **Não exponha a bateria ou a ferramenta ao fogo ou temperatura excessiva.** A exposição ao fogo ou a temperaturas acima dos 130 °C pode causar uma explosão.
 - g) **Siga todas as instruções de carregamento e não carregue a bateria nem a ferramenta a uma temperatura fora dos parâmetros especificados nas instruções.** Carregar incorretamente ou a temperaturas fora dos parâmetros especificados pode danificar a bateria e aumentar o risco de fogo.
- #### 6) REPARAÇÃO
- a) **A reparação da sua ferramenta elétrica deverá ser sempre efetuada por pessoas qualificadas, utilizando apenas peças sobresselentes idênticas.** Isso garante que a segurança da ferramenta elétrica é

mantida.

- b) **Nunca tente reparar uma bateria danificada.** A reparação das baterias só deverá ser efetuada pelo fabricante ou por um reparador autorizado.

INSTRUÇÕES DE SEGURANÇA PARA SERRAS CIRCULARES

Procedimentos de corte

- a) **PERIGO: Mantenha as mãos afastadas da área de corte e da lâmina.** Se ambas as mãos estiverem a segurar a serra, não serão cortadas pela lâmina.
- b) **Não se estique por baixo da peça a ser trabalhada.** A proteção não o protege da lâmina por baixo da peça a ser trabalhada.
- c) **Ajuste a profundidade de corte para a grossura da peça a ser trabalhada.** Só deverá ser visível menos de um dente completo da lâmina por baixo da peça a ser trabalhada.
- d) **Nunca segure a peça a ser trabalhada com as mãos ou entre as pernas durante o corte. Fixe a peça a ser trabalhada numa plataforma estável.** É importante suportar a peça corretamente, para minimizar a exposição do corpo, lâmina presa ou perda de controlo.
- e) **Segure a ferramenta apenas através das superfícies isoladas quando executar uma operação onde a ferramenta de corte possa entrar em contacto com cabos elétricos escondidos.** O contacto com um cabo “vivo” fará com que as peças de metal expostas da ferramenta de corte deem um choque ao operador.
- f) **Quando rasgar, use sempre uma vedação ou uma guia direita para extremidades.** Isto melhora a precisão de corte e reduz a hipótese da lâmina se prender.
- g) **Use sempre lâminas com o tamanho e a forma corretos (em diamante ou redonda) dos orifícios.** As lâminas que não sirvam no material de montagem da lâmina funcionam descentradas, causando a perda de controlo.
- h) **Nunca use anilhas ou parafusos da lâmina danificados ou incorretos.** As anilhas e parafusos da lâmina foram criados especialmente para a sua serra, para um desempenho ótimo e um funcionamento seguro.

Avisos Relacionados com Ressaltos

- O ressalto é uma reação súbita de uma lâmina presa ou desalinhada, fazendo com que uma serra descontrolada levante e saia da peça a ser trabalhada em direção ao operador.
 - Quando a lâmina fica presa no entalhe, pára e a reação do motor faz com que a unidade se dirija rapidamente em direção ao operador.
 - Se a lâmina ficar torcida ou desalinhada no corte, os dentes na extremidade traseira da lâmina podem entrar na superfície superior da madeira, fazendo com que a lâmina saia do entalhe e salte em direção ao operador.
- O ressalto é o resultado de uma utilização ou condições inadequadas ou incorretas da serra e pode ser evitado tomando as devidas precauções apresentadas abaixo.

- a) **Segure bem a serra e coloque os braços de modo a resistir às forças de um ressalto. Coloque o corpo para um dos lados da lâmina, mas não em linha com a lâmina.** O ressalto pode fazer com que a serra salte para trás, mas os ressaltos podem ser controlados pelo operador, se forem tomadas as devidas medidas de precaução.
- b) **Quando a lâmina fica presa, ou quando interromper um corte por qualquer razão, liberte o gatilho e segure a serra sem movimento no material, até que a lâmina pare por completo. Nunca tente retirar a serra da peça ou puxar a serra para trás enquanto a lâmina ainda estiver em movimento, caso contrário, pode ocorrer um ressalto.** Verifique e tome ações corretivas para eliminar a causa da lâmina presa.
- c) **Quando voltar a ligar uma serra na peça a ser trabalhada, centre a lâmina da serra no entalhe, de modo a que os dentes da serra não fiquem presos no material.** Se a lâmina da serra prender, pode subir ou ressaltar da peça a ser trabalhada quando voltar a ligar a serra.
- d) **Suporte painéis grandes para minimizar o risco de prisão da lâmina e de ressaltos.** Os painéis grandes tendem a afundar no seu próprio peso. Os suportes têm de ser colocados por baixo do painel em ambos os lados, perto da linha de corte e perto da extremidade do painel.
- e) **Não use lâminas gastas ou danificadas.** Lâminas gastas ou mal colocadas produzem um entalhe curto, causando fricção excessiva, prisão da lâmina e ressaltos.
- f) **As alavancas de fixação e ajuste da esquadria falsa e profundidade da lâmina têm de ser apertadas e fixadas antes de efetuar o corte.** Se o ajuste da lâmina se mover durante o corte, pode causar a prisão e ressalto da lâmina.
- g) **Tenha muito cuidado quando serrar em paredes existentes ou noutras áreas ocultas.** A lâmina saliente pode cortar objetos que podem causar um ressalto.

Função da proteção inferior

- a) **Verifique a proteção inferior quanto a um fecho adequado antes de cada utilização. Não utilize a serra se a proteção inferior não se mover livremente e não se fechar instantaneamente. Nunca fixe nem ate a proteção inferior na posição aberta.** Se deixar cair acidentalmente a serra, a proteção inferior pode ficar dobrada. Levante a proteção inferior com a pega retrátil e certifique-se de que se move livremente e não toca na lâmina ou em qualquer outra parte, em todos os ângulos e profundidades de corte.
- b) **Verifique o funcionamento da mola da proteção inferior. Se a proteção e a mola não funcionarem corretamente, têm de ser reparadas antes da utilização.** A proteção inferior pode funcionar lentamente devido às peças danificadas, depósitos colantes ou a acumulação de lixo.
- c) **A proteção inferior pode ser retraída manualmente apenas para cortes especiais, como “cortes de imersão” ou “cortes compostos”.** Levante a proteção inferior retraindo a pega e, mal a lâmina entre no material, tem de libertar a proteção inferior. Para qualquer outro tipo de serragem, a proteção inferior

deverá funcionar automaticamente.

- d) **Verifique sempre se a proteção inferior está a cobrir a lâmina antes de colocar a serra em baixo no banco ou no chão.** Uma lâmina desprotegida e descida pode fazer com que a serra retroceda, cortando o que quer que se meta no caminho. Tenha cuidado com o tempo que a lâmina leva a parar após deixar de premir o interruptor.

AVISOS ADICIONAIS DE SEGURANÇA

GERAL

- Esta ferramenta não deverá ser utilizada por pessoas com menos de 16 anos.
- Esta ferramenta não é adequada para cortes molhados.
- **Não trabalhe em materiais que contenham amianto (o amianto é considerado cancerígeno).**
- As poeiras de materiais como tintas com chumbo, determinadas espécies de madeiras, minerais e metais podem ser prejudiciais (o contacto ou a inalação dessa poeira pode causar reações alérgicas e/ou doenças respiratórias no operador ou assistentes); **utilize uma máscara antipoeira e trabalhe com um dispositivo de extração de poeiras quando for possível ligar.**
- Determinados tipos de poeiras estão classificados como cancerígenos (como poeira de faia e carvalho) especialmente junto com aditivos para tratamento de madeiras. **Utilize uma máscara antipoeira e trabalhe com um dispositivo de extração de poeiras quando for possível ligar.**
- Siga as normas nacionais referentes a poeiras para os materiais com que pretende trabalhar.
- Não use esta serra juntamente com uma mesa da serra.
- Retire sempre a bateria da ferramenta antes de efetuar quaisquer ajustes ou mudar de acessórios.

ACESSÓRIOS

- A SKIL apenas pode assegurar um funcionamento sem defeitos da ferramenta quando utilizados acessórios originais.
- Use apenas lâminas da serra que correspondam aos dados técnicos apresentados nestas instruções de funcionamento, e que tenham sido testadas e assinaladas em conformidade com a EN 847-1, caso sejam previstas para madeira e materiais parecidos com madeira.
- Utilize apenas acessórios com uma velocidade admissível que corresponda, pelo menos, à velocidade mais elevada sem carga da ferramenta.
- **Use apenas lâminas da serra / discos de corte com um diâmetro mínimo de 115 mm, diâmetro máximo de 120 mm e um orifício do eixo de 9,5 mm.**
- Nunca use discos de rebarbar com esta ferramenta.
- Manuseie e guarde os acessórios com cuidado.
- Escolha a lâmina de serra correta para o material a ser cortado.

ANTES DA UTILIZAÇÃO

- Evite danos que possam ser causados por parafusos, pregos e outros elementos na sua peça a ser trabalhada. Retire-os antes de começar o trabalho.
- Retire os obstáculos por cima e por baixo do caminho de corte antes de começar a cortar.
- **Fixe a peça a ser trabalhada** (uma peça a ser trabalhada fixada num torno ou dispositivo de fixação está mais segura do que sendo segurada à mão).
- **Use detetores adequados para encontrar linhas**

utilitárias ocultas, ou contacte a empresa local da respetiva utilidade para obter ajuda. O contacto com linhas elétricas pode dar origem a fogo ou choque elétrico; danificar uma tubagem do gás pode dar origem a explosão; penetrar um tubo da água pode causar danos patrimoniais ou choque elétrico.

DURANTE A UTILIZAÇÃO

- O nível de ruído durante o trabalho pode exceder 85 dB(A). Use proteção auditiva.
- Nunca use a ferramenta sem o sistema de proteção de segurança original.
- Não tente cortar peças extremamente pequenas.
- Não trabalhe uma peça por cima de si.
- No caso de obstrução ou avaria mecânica ou elétrica, desligue imediatamente a ferramenta e retire a bateria.

DEPOIS DE UTILIZAR

- Quando pousar a ferramenta, desligue o motor e certifique-se de que todas as peças móveis estão completamente paradas
- Depois de desligar a sua serra circular, nunca aplique força para impedir a rotação da lâmina da serra.

BATERIAS

- A bateria fornecida vem parcialmente carregada. Para garantir a capacidade completa da bateria, carregue por completo a bateria no carregador antes de usar a sua ferramenta elétrica pela primeira vez.
- Use apenas as seguintes baterias e carregadores com esta ferramenta
 - Bateria SKIL: BR1*31****
 - Carregador SKIL: CR1*31****
- Não use a bateria danificada. Esta deverá ser substituída.
- Não desmonte a bateria.
- Não exponha a ferramenta/bateria à chuva.
- Temperatura ambiente permitida (ferramenta/carregador/bateria):
 - A carregar: 4 - 40 °C
 - Durante o funcionamento: -20 - 50 °C
 - Durante o armazenamento: -20 - 50 °C

EXPLICAÇÃO DOS SÍMBOLOS NA FERRAMENTA/ BATERIA

- ③ Leia o manual de instruções antes da utilização.
- ④ As baterias podem explodir quando atiradas para o fogo, por isso, nunca queime uma bateria.
- ⑤ Guarde a ferramenta/carregador/bateria num local onde a temperatura não exceda os 50 °C.
- ⑥ Não elimine ferramentas elétricas juntamente com o lixo doméstico comum.

UTILIZAÇÃO

- Carregar a bateria
 - ! **Leia os avisos de segurança e as instruções fornecidas com o carregador.**
- Remover/Instalar a bateria ②
- Indicador do nível da bateria ⑦
 - Prima o botão do indicador do nível da bateria AB para ver o atual nível da bateria ⑦a.
 - ! **Quando o nível mais baixo do indicador da bateria começar a piscar após premir o botão AB ⑦b, a bateria está descarregada**
 - ! **Quando 2 níveis do indicador da bateria começarem a piscar após premir o botão AB ⑦c, a bateria não se encontra dentro da temperatura de funcionamento permitida**

- Luz LED T ⑧
A luz LED liga-se automaticamente quando a ferramenta começa a funcionar.
! Quando a luz LED começar a piscar rapidamente, a proteção da bateria é ativada (consulte abaixo).
- Proteção da bateria
A ferramenta desliga-se de repente ou é impossível ligá-la quando
 - a carga é muito grande -> retire a carga e reinicie
 - a temperatura da bateria não se encontra dentro do raio da temperatura de funcionamento permitida de -20 a +50 °C -> 2 níveis do indicador do nível da bateria começam a piscar quando prime o botão AB 7c; espere que a bateria volte ao raio da temperatura de funcionamento permitida.
 - a bateria está quase gasta (para proteger contra grandes descargas) -> é apresentado um baixo nível da bateria ou a piscar no indicador do nível da bateria quando prime o botão AB; carregue a bateria.**! Não continue a premir o interruptor de ligar/desligar após a ferramenta se desligar automaticamente. A bateria pode ficar danificada.**
- Montagem da lâmina da serra ②
! Retire a bateria da ferramenta.
 - Retire a chave sextavada A do espaço de arrumação B.
 - Prima o botão de bloqueio do eixo F e mantenha-o premido enquanto retira o parafuso da lâmina AA rodando a chave sextavada NO SENTIDO DOS PONTEIROS DO RELÓGIO (= na mesma direção que a seta impressa na lâmina da serra).**! Prima o botão de bloqueio do eixo F apenas quando a ferramenta estiver parada.**
 - Liberte o botão de bloqueio do eixo F.
 - Retire o rebordo Z.**! Certifique-se de que as superfícies de fixação X dos rebordos estão perfeitamente limpas e viradas para a lâmina.**
 - Abra a proteção inferior W com a alavanca S e mantenha-a aberta enquanto monta a lâmina da serra com os dentes e a seta impressa virados na mesma direção que a seta da proteção superior.
 - Liberte a proteção inferior W.
 - Monte o rebordo Z.
 - Prima o botão de bloqueio do eixo F e mantenha-o premido enquanto aperta o parafuso da lâmina com a chave sextavada 1/8 de volta após o aperto com a mão (garante que a lâmina da serra desliza quando encontra resistência excessiva, reduzindo assim a sobrecarga do motor e ressaltos da serra).
 - Liberte o botão de bloqueio do eixo F.
- Ajustar a profundidade de corte (0-41 mm) ⑨
- Para um corte com uma qualidade ótima, a lâmina da serra não deverá passar dos 3 mm abaixo da peça a ser trabalhada.
 - Desaperte o manípulo Q.
 - Levante/baixar o pé M até que a profundidade de corte desejada seja definida na escala usando o indicador P.
 - Aperte o manípulo Q.
- Ajustar o ângulo de corte (0-45°) ⑩
- Desaperte o manípulo U.
 - Incline a ferramenta até que o ângulo de corte seja definido na escala, usando o indicador V.
 - Aperte o manípulo U.

! Quando efetuar cortes de esquadria, a profundidade de corte não corresponde ao valor na escala da profundidade de corte.

- Indicador da linha de corte L ⑪
- Para orientar a ferramenta ao longo da linha de corte desejada assinalada na peça a ser trabalhada.
- Para um corte reto de 0° ou corte de esquadria falsa de 45°, use a respetiva linha indicadora.
- ! A parte larga do pé deverá assentar na parte suportada da peça a ser trabalhada.**
- ! A largura de corte é determinada pela largura dos dentes da lâmina e não pela largura da estrutura da lâmina.**
- ! Faça sempre um corte de teste para verificar a atual linha de corte.**
- Aspiração do pó ⑫
Para usar o aspirador
 - Ligue a mangueira do aspirador ao adaptador do aspirador H.**! Nunca permita que a mangueira do aspirador interfira com a proteção inferior ou a operação de corte.**
- ! Não use o aspirador quando cortar metal!**
- Utilizar a ferramenta
 - Monte a bateria.
 - Segure sempre a pega C firmemente.
 - Coloque a ferramenta com a extremidade dianteira do pé plana na peça a ser trabalhada.**! Certifique-se de que os dentes da serra não estão em contacto com a peça a ser trabalhada.**
 - Ligue a ferramenta premindo o manípulo E (= o interruptor de segurança que não pode ser bloqueado) e puxe o gatilho D.**! A ferramenta deverá funcionar à velocidade máxima antes de a lâmina entrar na peça a ser trabalhada.**
 - A proteção inferior W abre automaticamente quando a lâmina da serra entra na peça a ser trabalhada (abra manualmente a proteção inferior usando a alavanca S apenas em cortes especiais, como cortes de imersão).**! Não force a ferramenta (faça uma pressão ligeira e contínua para evitar o sobreaquecimento das pontas da lâmina).**
- ! Durante o trabalho, segure sempre a ferramenta pelas áreas de prensão.**
 - Após terminar o corte, desligue a ferramenta libertando o gatilho D.
- ! Certifique-se de que a lâmina parou por completo antes de levantar a ferramenta da peça a ser trabalhada.**

CONSELHOS DE APLICAÇÃO

- Vire sempre o lado bom da peça a ser trabalhada para baixo, para garantir o mínimo de lascas quando serrar madeira e materiais parecidos com madeira.
- O desempenho do serrar e a qualidade de corte dependem essencialmente do estado e número de dentes da lâmina da serra.
- Use apenas lâminas com dentes afiados, adequada para o material a ser cortado ⑬
- Use lâminas de serra de aço endurecido AC ② para cortar madeira, alumínio, plástico e todo o tipo de madeira laminada.

- Use discos de diamante AD ② para cortar cerâmica e azulejos.
- As lâminas com ponta de carboneto Y ② permanecem afiadas até 30 vezes mais tempo do que as lâminas vulgares.
- Guia paralela J ⑭
 - Para fazer cortes precisos ao longo da extremidade de uma peça a ser trabalhada.
 - Insira através das ranhuras na extremidade dianteira do pé.
- Ajustar a guia paralela
 - Desaperte o parafuso K usando a chave sextavada A.
 - Ajuste a largura de corte desejada usando a escala da guia paralela (use o indicador da linha de corte L como referência 0).
 - Aperte o parafuso K.
- Corte por imersão ⑮
 - Defina a profundidade de corte desejada.
 - Incline a ferramenta para a frente com o indicador da linha de corte L alinhado com a linha desejada de corte assinalada na peça a ser trabalhada.
 - Abra a proteção inferior W com a alavanca S.
 - Antes de a lâmina entrar na peça a ser trabalhada, ligue a ferramenta e baixe gradualmente a extremidade traseira da ferramenta usando a extremidade dianteira do pé como ponto de dobradiça.
 - Mova gradualmente a ferramenta para baixo e para a frente.
 - Mal a lâmina entre no material, liberte a alavanca S.
- ! **Nunca puxe a ferramenta para trás.**
- Cortar painéis grandes ⑯
 - Suporte o painel perto do corte no chão, mesa ou bancada de trabalho.
- ! **Defina a profundidade de corte de modo a cortar através do painel e não através do suporte.**
 - Caso a guia paralela não permita a largura de corte desejada, fixe ou pregue uma peça de madeira reta na peça a ser trabalhada como guia, e use o lado esquerdo do pé contra esta guia ⑰
- Para mais informações, consulte www.skil.com.

MANUTENÇÃO/REPARAÇÃO

- Esta ferramenta não foi criada para utilização profissional.
- Mantenha sempre a ferramenta limpa (especialmente as ranhuras de ventilação N).
- ! **Retire a bateria da ferramenta antes de proceder à limpeza.**
- Mantenha sempre a área em redor da proteção inferior W ② limpa (retire o pó e lascas soprando com ar comprimido ou passando com uma escova).
- Limpe a lâmina da serra imediatamente após a utilização (especialmente quanto a resina e cola).
- Se a ferramenta falhar apesar dos cuidados de fabrico e procedimentos de teste, a reparação deverá ser efetuada por um centro de reparação pós-venda autorizado para ferramentas elétricas SKIL.
 - Envie a ferramenta desmontada, juntamente com a prova de compra, para o seu representante ou ponto de reparação SKIL mais próximo (os endereços e também os esquemas de reparação estão listados em www.skil.com).
- Tenha em conta que danos devido a sobrecarga ou

manuseamento inadequado da ferramenta não são abrangidos pela garantia (para saber as condições da garantia SKIL, consulte www.skil.com ou informe-se com o seu revendedor).

AMBIENTE

- Não elimine ferramentas elétricas, baterias, acessórios e embalagens juntamente com o lixo doméstico comum (apenas para países da UE).
 - Em conformidade com a Diretiva Europeia 2012/19/CE relativa aos resíduos de equipamento elétrico e eletrónico e respetiva implementação em conformidade com as leis nacionais, ferramentas elétricas que tenham atingido o final do seu ciclo de vida devem ser recolhidas separadamente e entregues em instalações de reciclagem ambientalmente compatíveis.
 - O símbolo ⑥ serve para lembrar isto quando for necessária a eliminação.
- ! **Antes da eliminação, proteja os terminais da bateria com fita resistente, para evitar um curto-circuito.**

RUÍDO/VIBRAÇÃO

- Medido de acordo com a EN 62841. O nível de pressão do som desta ferramenta é de 96 dB(A), e o nível de potência do som é de 107 dB(A) (incerteza K = 3 dB), e a vibração *(soma vetorial das 3 direções; incerteza K = 1,5 m/s²).
 - * Cortar madeira < 2,5 m/s²
 - * Cortar metal < 2,5 m/s²
- O nível de emissão da vibração foi medido de acordo com um teste padronizado da norma EN 62841. Pode ser usado para comparar duas ferramentas e como avaliação preliminar da exposição à vibração quando usar a ferramenta para as aplicações mencionadas.
 - Usar a ferramenta para diferentes aplicações, ou com acessórios diferentes ou mal mantidos, pode aumentar significativamente o nível de exposição.
 - As vezes que a ferramenta é desligada ou quando estiver a funcionar, mas sem estar a efetuar o trabalho, pode reduzir significativamente o nível de exposição.
- ! **Proteja-se dos efeitos das vibrações realizando a manutenção da ferramenta e dos seus acessórios, mantendo as mãos quentes e organizando os seus padrões de trabalho.**



Sega multiuso compatta brushless

3540

INTRODUZIONE

- Questo apparecchio è destinato al taglio longitudinale e trasversale di legno, truciolato, compensato, alluminio, piastrelle, pietra, plastica e materiali edili leggeri, con linee di taglio dritte o angolate fino a 45°.
- Questo utensile non è destinato all'uso professionale.
- Leggere e conservare questo manuale di istruzioni. ③

SPECIFICHE TECNICHE ①

COMPONENTI DELL'UTENSILE ②

- A Chiave esagonale
- B Fermaglio per chiave esagonale
- C Impugnatura
- D Interruttore di avvio/arresto
- E Interruttore di sicurezza
- F Pulsante di bloccaggio dell'alberino
- G Porta di estrazione della polvere
- H Adattatore per aspirapolvere
- J Guida parallela
- K Vite di regolazione della guida parallela
- L Indicatore della linea di taglio
- M Piastra base
- N Aperture di ventilazione
- P Indicatore della profondità di taglio
- Q Manopola di regolazione della profondità di taglio
- R Protezione superiore
- S Leva di apertura della protezione inferiore
- T Luce LED
- U Manopola di regolazione dell'angolo di taglio
- V Indicatore dell'angolo di taglio
- W Protezione inferiore
- X Flangia interna
- Y Lama con denti in carburo
- Z Flangia esterna
- AA Bullone della lama
- AB APulsante dell'indicatore del livello della batteria
- AC Lama in acciaio temprato
- AD Disco diamantato

SICUREZZA

AVVERTENZE DI SICUREZZA COMUNI A TUTTI GLI UTENSILI ELETTRICI

⚠ WARNING Read all safety warnings, instructions, illustrations and specifications provided with this power tool. Failure to follow all instructions listed below may result in electric shock, fire and/or serious injury.

Conservare tutte le avvertenze e le istruzioni per futuro riferimento.

Il termine "utensile elettrico" utilizzato nelle avvertenze indica un utensile elettrico alimentato tramite rete elettrica (con cavo) o batterie (senza cavo).

1) SICUREZZA DELL'AREA DI LAVORO

- a) **Mantenere l'area di lavoro pulita e ben illuminata.**
Il disordine e la scarsa illuminazione favoriscono gli incidenti.
- b) **Non usare gli utensili elettrici in atmosfere esplosive, ad esempio in presenza di liquidi, gas o polveri infiammabili.** Gli utensili elettrici creano scintille che possono incendiare polveri o fumi.
- c) **Durante l'uso dell'utensile elettrico, tenere a distanza i bambini e le persone presenti.** Le distrazioni possono far perdere il controllo.

2) SICUREZZA ELETTRICA

- a) **Le spine degli utensili elettrici devono essere adatte al tipo di presa. Non modificare la spina in alcun modo. Non usare adattatori con gli utensili elettrici dotati di messa a terra (collegati a massa).** L'uso di

spine originali corrispondenti al tipo di presa riduce il rischio di scossa elettrica.

- b) **Evitare il contatto del corpo con superfici collegate a terra come tubi, radiatori, fornelli elettrici e frigoriferi.** Il rischio di scossa elettrica aumenta se il proprio corpo è collegato a terra.
- c) **Non esporre gli utensili elettrici a pioggia o umidità.** L'infiltrazione di acqua all'interno di un utensile elettrico aumenta il rischio di scossa elettrica.
- d) **Non utilizzare il cavo in modo improprio. Non usare il cavo per trasportare, tirare o scollegare l'utensile elettrico dalla presa di corrente. Tenere il cavo al riparo da calore, olio, bordi taglienti o parti in movimento.** La presenza di cavi danneggiati o aggrovigliati aumenta il rischio di scossa elettrica.
- e) **Durante l'uso di un utensile elettrico all'aperto, utilizzare una prolunga idonea per ambienti esterni.** L'uso di un cavo idoneo riduce il rischio di scossa elettrica.
- f) **Se è necessario lavorare in un luogo umido, utilizzare un circuito elettrico dotato di interruttore differenziale (RCD).** L'uso di un interruttore differenziale riduce il rischio di scossa elettrica.

3) SICUREZZA PERSONALE

- a) **Durante l'uso di un utensile elettrico, prestare sempre la massima attenzione e utilizzare il buon senso. Non usare un utensile elettrico se si è stanchi o sotto l'effetto di droghe, alcol o farmaci.** Anche un solo momento di disattenzione durante l'uso dell'utensile elettrico può provocare gravi infortuni.
 - b) **Indossare dispositivi di protezione individuale. Indossare dispositivi di protezione per gli occhi.** I dispositivi di protezione individuale come maschere antipolvere, calzature antiscivolo, caschi e cuffie per le orecchie, se utilizzati quando le circostanze lo richiedono, riducono il rischio di infortuni.
 - c) **Prevenire l'avvio accidentale. Assicurarsi che l'interruttore sia in posizione di arresto prima di sollevare, trasportare o collegare l'utensile elettrico alla presa di corrente e/o alla batteria.** Per ridurre il rischio di incidenti, non trasportare gli utensili elettrici tenendo le dita sull'interruttore e non collegarli alla fonte di alimentazione se l'interruttore è in posizione di avvio.
 - d) **Rimuovere eventuali chiavi di regolazione o avviamento prima di avviare l'utensile elettrico.** Una chiave di serraggio rimasta inserita in un elemento mobile dell'utensile elettrico può provocare infortuni.
 - e) **Non allungarsi eccessivamente. Mantenere sempre un buon equilibrio evitando posizioni instabili.** Ciò assicura un miglior controllo dell'utensile elettrico in situazioni impreviste.
 - f) **Tenere capelli e indumenti lontani dalle parti in movimento.** Indumenti ampi, gioielli e capelli lunghi possono impigliarsi nelle parti in movimento.
 - g) **Se sono disponibili dei dispositivi per l'estrazione e la raccolta della polvere, assicurarsi che siano collegati e utilizzati correttamente.** L'uso di tali dispositivi può ridurre i rischi derivanti dalla polvere.
 - h) **Non lasciare che la familiarità con l'utensile (derivata da un uso frequente) abbassi il livello di attenzione.** Anche una minima distrazione può causare gravi infortuni.
- #### 4) USO E MANUTENZIONE DELL'UTENSILE

ELETTRICO

- a) **Non forzare l'utensile elettrico. Utilizzare l'utensile più adatto al lavoro da svolgere.** Un utensile elettrico corretto è più sicuro ed efficace al regime per cui è stato progettato.
- b) **Non usare l'utensile elettrico se l'interruttore non funziona correttamente.** Un utensile elettrico che non può essere controllato dall'interruttore è pericoloso e deve essere riparato.
- c) **Rimuovere il gruppo batteria, se removibile, e/o scollegare l'utensile elettrico dalla rete elettrica prima di regolarlo, riporlo o sostituire gli accessori** Tali misure preventive riducono il rischio di avvio accidentale dell'utensile elettrico.
- d) **Riporre gli utensili elettrici fuori dalla portata dei bambini e non permetterne l'uso a persone che non hanno familiarità con l'utensile o con queste istruzioni.** Gli utensili elettrici sono pericolosi se utilizzati da persone non competenti.
- e) **Mantenere gli utensili elettrici e gli accessori in buono stato. Verificare che le parti mobili non siano disallineate o inceppate, che i componenti non siano danneggiati e che non siano presenti altri problemi che potrebbero pregiudicare il corretto funzionamento dell'utensile elettrico. Se l'utensile elettrico è danneggiato, farlo riparare prima di utilizzarlo nuovamente.** Molti incidenti sono provocati da utensili elettrici in cattive condizioni.
- f) **Mantenere gli accessori di taglio puliti e affilati.** Un'adeguata manutenzione e affilatura degli accessori da taglio riduce il rischio di inceppamento e facilita il controllo dell'utensile elettrico.
- g) **Usare l'utensile elettrico, gli accessori, le punte ecc. conformemente a queste istruzioni, tenendo conto delle condizioni dell'area di lavoro e del tipo di lavoro da svolgere.** L'uso dell'utensile elettrico per operazioni diverse da quelle per cui è progettato può comportare situazioni di pericolo.
- h) **Mantenere le impugnature e le superfici di presa asciutte, pulite e prive di olio o grasso.** Impugnature e superfici di presa scivolose non garantiscono l'uso sicuro e il controllo dell'utensile in situazioni impreviste.
- 5) **USO E MANUTENZIONE DEGLI UTENSILI A BATTERIA**
 - a) **Ricaricare la batteria esclusivamente con il caricabatteria specificato dal costruttore.** Un caricabatteria adatto a un certo tipo di gruppo batteria comporta il rischio di incendio se utilizzato con gruppi batteria di tipo diverso.
 - b) **Usare gli utensili esclusivamente con i gruppi batteria specificamente progettati.** L'uso di altri gruppi batteria comporta il rischio di incendio e infortunio.
 - c) **Quando il gruppo batteria non è in uso, tenerlo lontano da piccoli oggetti metallici, ad esempio graffette, monete, chiavi, chiodi, viti ecc. poiché potrebbero creare un collegamento tra i due terminali.** Il cortocircuito dei terminali della batteria comporta il rischio di incendio o ustioni.
 - d) **L'utilizzo improprio può causare fuoriuscite di liquido dalla batteria: evitare il contatto con tale liquido. In caso di contatto accidentale, lavare con acqua. Se il liquido entra a contatto con gli occhi, consultare un medico.** Il liquido fuoriuscito dalla

batteria può causare irritazioni o ustioni.

- e) **Non usare gruppi batteria o utensili danneggiati o modificati.** Le batterie danneggiate o modificate possono manifestare comportamenti imprevisti, con il rischio di incendio, esplosione o infortunio.
- f) **Non esporre il gruppo batteria o l'utensile a fiamme o temperature eccessive.** L'esposizione a fiamme o temperature superiori a 130°C comporta il rischio di esplosione.
- g) **Rispettare tutte le istruzioni relative alla ricarica e non ricaricare il gruppo batteria o l'utensile a temperature diverse da quelle specificate nelle istruzioni.** Una ricarica eseguita in modo improprio o a temperature diverse da quelle specificate può danneggiare la batteria e aumentare il rischio di incendio.
- 6) **RIPARAZIONI**
 - a) **Affidare la riparazione dell'utensile a personale qualificato e utilizzare esclusivamente parti di ricambio identiche.** Ciò garantisce la sicurezza dell'utensile elettrico.
 - b) **Non riparare gruppi batteria danneggiati.** La riparazione dei gruppi batteria deve essere effettuata esclusivamente dal costruttore o da un centro di assistenza autorizzato.

AVVERTENZE DI SICUREZZA SPECIFICHE PER SEGHE CIRCOLARI

Procedure di taglio

- a) **PERICOLO! Tenere le mani lontane dall'area di taglio e dalla lama.** Tenere entrambe le mani a contatto con l'apparecchio per evitare il rischio di lesioni a causa del contatto con la lama.
- b) **Non sporgersi sotto il materiale in lavorazione.** La cuffia di protezione non offre protezione dalla lama nell'area sottostante il materiale in lavorazione.
- c) **Regolare la profondità di taglio in base allo spessore del materiale da tagliare.** Dalla parte inferiore del materiale deve sporgere meno di un dente intero della lama.
- d) **Non tenere il materiale in lavorazione con le mani o sulle gambe durante il taglio. Fissare il materiale a una piattaforma stabile.** È importante sostenere adeguatamente il materiale per ridurre il rischio di lesioni, piegamento della lama o perdita di controllo.
- e) **Tenere l'utensile elettrico esclusivamente tramite le impugnature isolanti durante le operazioni in cui l'accessorio di taglio può entrare a contatto con cavi elettrici nascosti.** Il contatto con un cavo elettrificato può trasmettere la corrente alle parti metalliche esposte dell'utensile, provocando una scossa elettrica all'operatore.
- f) **Per i tagli longitudinali, usare un'apposita guida.** Ciò aumenta la precisione del taglio e riduce il rischio di inceppamento della lama.
- g) **Usare sempre lame i cui fori sono di dimensioni e forma corrette (a diamante o rotonda).** Gli accessori che non si adattano al sistema di fissaggio della lama saranno decentrati, causando una perdita di controllo.
- h) **Non usare bulloni o rondelle per lame danneggiati o scorretti.** Il bullone e le rondelle della lama installati

sono stati progettati specificamente per questa sega, per le migliori prestazioni e la massima sicurezza.

Contraccolpo e relative avvertenze

- Il contraccolpo è una reazione improvvisa che si verifica quando la lama rimane inceppata, incastrata o disallineata, provocando un movimento incontrollato della sega verso l'alto e fuori dal pezzo in lavorazione in direzione dell'operatore.
- Quando la lama rimane inceppata o incastrata nel taglio, la lama si blocca e la reazione del motore spinge rapidamente l'apparecchio all'indietro verso l'operatore.
- Se la lama rimane inceppata o disallineata nel taglio, i denti sul bordo posteriore della lama possono conficcarsi nella superficie del legno facendo fuoriuscire la lama dall'incattatura in direzione dell'operatore.

Il contraccolpo è il risultato di un uso improprio e/o di procedure o condizioni di funzionamento scorrette, e può essere evitato adottando le precauzioni descritte di seguito.

- Mantenere una presa salda sulla sega e posizionare le braccia in modo tale da resistere alle forze di contraccolpo. Tenere il corpo a lato della lama, ma non allineato ad essa.** Le forze di contraccolpo sono in grado di spostare la lama dall'indietro, ma possono essere controllate dall'operatore, adottando le dovute precauzioni.
- Se la lama si inceppa, o prima di interrompere il taglio per qualsiasi motivo, rilasciare l'interruttore a grilletto e tenere l'apparecchio fermo nel materiale finché la lama non si arresta completamente. Non tentare mai di rimuovere l'apparecchio dal materiale o di tirarlo verso di sé mentre è ancora in movimento per evitare il rischio di contraccolpo.** Individuare la causa dell'inceppamento della lama e liberarla con opportuni interventi.
- Quando si riavvia l'apparecchio già inserito nel materiale, centrare la lama nel taglio affinché i denti non si incastrino nel materiale.** Se la lama è inceppata, può impennarsi o causare un contraccolpo al riavvio dell'apparecchio.
- Per ridurre il rischio di inceppamento della lama e contraccolpo, sostenere i pannelli di grandi dimensioni.** I pannelli di grandi dimensioni tendono a piegarsi sotto il proprio peso. Posizionare dei supporti sotto entrambi i lati del pannello, sia lungo la linea di taglio che in prossimità dei bordi.
- Non usare lame smussate o danneggiate.** Lame non affilate o fissate in modo scorretto producono un taglio molto stretto che comporta il rischio di eccessiva frizione, inceppamento della lama e contraccolpo.
- Prima di eseguire il taglio, serrare saldamente le leve di regolazione della profondità e dell'angolo di taglio.** Se la lama si sposta durante il taglio può incepparsi e provocare un contraccolpo.
- Prestare particolare attenzione durante il taglio in una parete o altre aree nascoste.** La lama sporgente potrebbe tagliare oggetti suscettibili di provocare un contraccolpo.

Funzionamento della protezione inferiore

- Prima di ogni utilizzo, controllare che la protezione retrattile sia abbassata correttamente. Non usare la sega se la protezione retrattile non si muove liberamente e non si abbassa immediatamente. Non bloccare o fissare la protezione retrattile in posizione sollevata.** Se la sega cade per terra, la protezione retrattile potrebbe piegarsi. Sollevare la protezione retrattile con l'apposita leva e assicurarsi che si muova liberamente e non tocchi la lama o altre parti, in tutte gli angoli e le profondità di taglio.
- Controllare il funzionamento della molla della protezione retrattile. Se la protezione e la molla non funzionano correttamente, devono essere riparate prima dell'uso.** La protezione retrattile potrebbe funzionare scorrettamente a causa di parti danneggiate, depositi gommosi o accumulo di detriti.
- La protezione retrattile può essere sollevata manualmente solo per tagli particolari come i tagli "a immersione" e i tagli "composti". Sollevare la protezione retrattile con l'apposita leva e, non appena la lama entra nel materiale, rilasciare la protezione retrattile.** Per tutti gli altri tipi di taglio, la protezione retrattile deve funzionare automaticamente.
- Assicurarsi sempre che la protezione retrattile copra la lama prima di posizionare la sega su un banco o per terra.** Una lama non protetta, se messa in movimento, può far indietreggiare la sega, tagliando qualsiasi oggetto lungo il percorso. È importante conoscere il tempo necessario alla lama per arrestarsi dopo il rilascio dell'interruttore.

AVVERTENZE DI SICUREZZA AGGIUNTIVE

AVVERTENZE GENERALI

- Questo utensile non deve essere usato da persone di età inferiore a 16 anni.
- Questo utensile non è destinato al taglio a umido.
- **Non lavorare materiali contenenti amianto. L'amianto è considerato una sostanza cancerogena.**
- Polveri derivanti da materiali come rivestimenti a base di piombo, alcuni tipi di legno, metallo e minerali possono essere tossiche. Toccare o respirare tali polveri può causare, all'utente o alle persone presenti, reazioni allergiche e/o infiammazioni alle vie respiratorie. **Indossare una maschera antipolvere e usare sistemi di estrazione della polvere, se disponibili.**
- Alcuni tipi di polveri, ad esempio quelle di quercia e faggio, sono considerate cancerogene, in particolare se il legno è stato trattato (con cromo o preservanti per legno). **Indossare una maschera antipolvere e usare sistemi di estrazione della polvere, se disponibili.**
- Rispettare le normative nazionali rilevanti in merito ai materiali con cui si desidera lavorare.
- Non usare questo utensile in combinazione con un banco per sega.
- Rimuovere la batteria prima di regolare l'utensile o sostituire gli accessori.

ACCESSORI

- SKIL assicura il corretto funzionamento dell'utensile se sono utilizzati accessori originali.
- Utilizzare esclusivamente lame per materiali in legno e similari con le specifiche riportate in questo manuale di istruzioni e conformi allo standard EN 847-1.
- Utilizzare esclusivamente accessori a cui velocità

consentita è almeno equivalente alla velocità a vuoto massima dell'apparecchio.

- **Utilizzare esclusivamente lame/dischi di taglio con diametro compreso tra 115 mm e 120 mm e foro di 9,5 mm.**
- Non usare dischi di smerigliatura con questo utensile.
- Manipolare e conservare gli accessori con cura.
- Selezionare la lama adatta al materiale da tagliare.

PRIMA DELL'USO

- Rimuovere eventuali viti, chiodi e altri elementi presenti nel pezzo in lavorazione per evitare che causino danni.
- Rimuovere qualsiasi ostacolo sopra e sotto il percorso del taglio prima di iniziare il taglio.
- **Fissare il pezzo in lavorazione** (un pezzo fissato con appositi dispositivi o una morsa è bloccato più saldamente).
- **Rilevare l'eventuale presenza di cavi elettrici o tubature nascosti nell'area di lavoro con appositi rilevatori o contattando le relative società responsabili.** Il contatto con cavi elettrici comporta il rischio di incendio e scossa elettrica; il danneggiamento di tubi del gas comporta il rischio di esplosione; la rottura di un tubo dell'acqua comporta il rischio di danni materiali o scossa elettrica.

DURANTE L'USO

- Il livello di rumorosità durante l'uso può superare gli 85 dB(A); indossare dispositivi di protezione per le orecchie.
- Non usare l'utensile senza la cuffia di protezione originale.
- Non tentare di tagliare materiali eccessivamente piccoli.
- Non usare l'utensile sopra il livello della propria testa.
- In caso di inceppamento o malfunzionamento elettrico o meccanico, arrestare immediatamente l'utensile e rimuovere la batteria.

DOPO L'USO

- Prima di appoggiare l'utensile, arrestarlo e assicurarsi che tutte le parti mobili siano completamente ferme.
- Dopo aver arrestato l'utensile, non frenare la rotazione della lama applicando una forza laterale.

BATTERIE

- La batteria inclusa è parzialmente carica. Per garantire la piena capacità della batteria, ricaricarla completamente con il caricabatteria prima di usare l'utensile per la prima volta.
- Utilizzare esclusivamente le batterie e i caricabatteria elencati di seguito con questo utensile.
 - Batteria SKIL: BR1*31****
 - Caricabatteria SKIL: CR1*31****
- Non utilizzare la batteria se è danneggiata. Sostituirla.
- Non disassemblare la batteria.
- Non esporre l'utensile o la batteria alla pioggia.
- Temperature ambientali (utensile/caricabatteria/batteria):
 - Durante la ricarica: da 4°C a 40°C
 - Durante l'uso: da -20°C a +50°C
 - Durante la conservazione: da -20°C a +50°C

SIGNIFICATO DEI SIMBOLI SULL'UTENSILE E SULLA BATTERIA

- ③ Leggere il manuale di istruzioni prima dell'uso.
- ④ Le batterie possono esplodere se gettate nel fuoco. Pertanto, non bruciarle per alcun motivo.
- ⑤ Riporre l'utensile, il caricabatteria e la batteria in ambienti la cui temperatura non supera i 50°C.
- ⑥ Non smaltire l'utensile e le batterie insieme ai rifiuti domestici.

UTILIZZO

- Ricarica della batteria
! Leggere le istruzioni e le avvertenze di sicurezza fornite insieme al caricabatteria.
- Rimozione/inserimento della batteria ②
- Indicatore del livello della batteria ⑦
 - Premere il pulsante dell'indicatore del livello della batteria AB per visualizzare il livello di carica corrente della batteria ⑦a.
! Quando l'ultima barra dell'indicatore del livello della batteria inizia a lampeggiare dopo aver premuto il pulsante AB ⑦b, la batteria è scarica.
 - ! Quando 2 barre dell'indicatore del livello della batteria iniziano a lampeggiare dopo aver premuto il pulsante AB ⑦c, la temperatura della batteria è fuori dai valori che ne consentono il funzionamento.**
- Luce LED T ⑧
 - La luce LED si accende automaticamente all'avvio dell'utensile.
! Quando la luce LED inizia a lampeggiare, la funzione di protezione della batteria si è attivata (come descritto di seguito).
- Protezione della batteria
 - L'utensile si arresta automaticamente, o non si avvia, nei seguenti casi:
 - **Il carico è eccessivo.** --> Rimuovere il carico e riavviare l'utensile.
 - **La temperatura della batteria è inferiore a -20°C o superiore a +50°C.** --> 2 barre dell'indicatore del livello della batteria iniziano a lampeggiare dopo aver premuto il pulsante AB 7c. Attendere che la batteria raggiunga la temperatura di funzionamento corretta.
 - **La batteria è quasi scarica (protezione contro lo scaricamento profondo).** --> Il livello di carica della batteria è indicato da una barra lampeggiante dopo aver premuto il pulsante AB. Ricaricare la batteria.
! Non premere l'interruttore di avvio/arresto dopo l'arresto automatico dell'utensile per evitare di danneggiare la batteria.
- Installazione della lama ②
 - ! Rimuovere la batteria dall'utensile.**
 - Prelevare la chiave esagonale A dal fermaglio B.
 - Tenere premuto il pulsante di bloccaggio dell'alberino F e rimuovere il bullone della lama AA ruotando la chiave esagonale A IN SENSO ORARIO (ovvero nella direzione della freccia stampata sulla lama).
 - ! Premere il pulsante di bloccaggio dell'alberino F esclusivamente quando la lama dell'utensile è ferma.**
 - Rilasciare il pulsante di bloccaggio dell'alberino F.
 - Rimuovere la flangia esterna Z.
 - ! Assicurarsi che la flangia interna X sia perfettamente pulita e rivolta verso la lama.**
 - Aprire la protezione inferiore W con la leva S e tenerla premuta durante l'installazione della lama. Assicurarsi che i denti della lama e la freccia stampata sulla lama siano rivolti nella direzione indicata dalla freccia sulla protezione superiore.
 - Rilasciare la protezione inferiore W.
 - Installare la flangia esterna Z.
 - Tenere premuto il pulsante di bloccaggio dell'alberino F

e serrare il bullone della lama con la chiave esagonale ruotandolo di 1/8 di giro senza forzarlo (ciò assicura il rallentamento della lama quando incontra una resistenza eccessiva, riducendo il carico sul motore e il rischio di contraccolpo).

- Rilasciare il pulsante di bloccaggio dell'alberino F.
- **AR**Regolazione della profondità di taglio (0-41 mm) ④
 - Per ottenere tagli della massima qualità, la lama non deve sporgere oltre 3 mm dalla parte inferiore del materiale in lavorazione.
 - Allentare la manopola Q.
 - Sollevare o abbassare la piastra base fino a raggiungere la profondità di taglio desiderata facendo riferimento all'indicatore P sulla scala.
 - Serrare la manopola Q.
- **Regolazione dell'angolo di taglio (0-45°) ⑩**
 - Allentare la manopola U.
 - Inclinare l'utensile fino a raggiungere l'angolo di taglio desiderato facendo riferimento all'indicatore V sulla scala.
 - Serrare la manopola U.

! Durante i tagli smussati, la profondità di taglio non corrisponde al valore indicato sulla scala della profondità di taglio.

- **Indicatore della linea di taglio L ⑪**
 - Per guidare l'utensile lungo la linea di taglio marcata sul materiale in lavorazione.
 - Per tagli dritti a 0° o tagli obliqui a 45° utilizzare l'indicatore della linea corrispondente.

! La parte larga della piastra base deve appoggiare sulla parte supportata del materiale.

! L'ampiezza di taglio è determinata dalla larghezza dei denti della lama e non dalla larghezza del corpo della lama.

! Effettuare dei tagli di prova per controllare la linea di taglio effettiva.

- **Aspirazione della polvere ⑫**
 - In combinazione con un aspirapolvere
 - Collegare il tubo dell'aspirapolvere all'adattatore per aspirapolvere H.

! Assicurarsi che il tubo dell'aspirapolvere non interferisca con la protezione inferiore o l'operazione di taglio.

! Non usare l'aspirapolvere durante il taglio di metallo.

- **Utilizzo dell'utensile**
 - Installare la batteria.
 - Afferrare saldamente l'impugnatura C.
 - Posizionare l'utensile con il bordo anteriore della piastra base appoggiato sul materiale.
- ! Assicurarsi che i denti della lama non siano a contatto con il materiale.**
- Per avviare l'utensile, premere l'interruttore di sicurezza E, quindi l'interruttore di avvio/arresto D.

! Attendere che l'utensile raggiunga la piena velocità prima di far entrare la lama a contatto con il materiale.

- La protezione inferiore W si aprirà automaticamente quando la lama penetra nel materiale (solo per tagli particolari come i tagli a immersione, la protezione inferiore può essere aperta manualmente usando la leva S).

! Non forzare l'utensile (applicare una pressione

leggera e costante per evitare il surriscaldamento dei denti della lama).

! Durante l'uso, tenere l'utensile afferrando le aree di presa.

- Al termine del taglio, arrestare l'utensile rilasciando l'interruttore D.

! Assicurarsi che la lama si sia arrestata completamente prima di sollevare l'utensile dal materiale.

SUGGERIMENTI PER L'USO

- Orientare il lato esposto del materiale verso il basso per ridurre la formazione di schegge durante il taglio di legno e materiali similari.
- L'efficacia e la qualità del taglio dipendono principalmente dalle condizioni della lama e dal numero di denti.
- Utilizzare esclusivamente lame adatte al materiale in lavorazione ⑬
 - Utilizzare la lama in acciaio temprato AC ② per il taglio di legno, alluminio, plastica e qualsiasi tipo di legno laminato.
 - Utilizzare il disco diamantato AD ② per il taglio di ceramica e piastrelle.
 - La lama con denti in carburo Y ② rimane affilata 30 volte più a lungo rispetto alle lame ordinarie.
- **Guida parallela J ⑭**
 - Per effettuare tagli precisi lungo il bordo del materiale.
 - Inserire la guida attraverso le fessure sul bordo anteriore della piastra base.

Regolazione della guida parallela

- Allentare la vite K con la chiave esagonale A.
- Regolare la larghezza di taglio usando la scala della guida parallela (fare riferimento all'indicatore della linea di taglio L).
- Serrare la vite K.
- **Taglio a immersione ⑮**
 - Regolare la profondità di taglio.
 - Inclinare l'utensile in avanti allineando l'indicatore della linea di taglio L con la linea di taglio marcata sul materiale.
 - Aprire la protezione inferiore W con la leva S.
 - Avviare l'utensile appena prima che la lama penetri nel materiale, quindi abbassare gradualmente l'estremità posteriore dell'utensile usando il bordo anteriore della piastra base come perno.
 - Spostare gradualmente l'utensile verso il basso e in avanti.
 - Non appena la lama penetra nel materiale, rilasciare la leva S.

! Non spostare l'utensile all'indietro.

- **Taglio di pannelli di grandi dimensioni ⑯**
 - Sostenere il pannello in prossimità del taglio usando il pavimento, un tavolo o un banco da lavoro.

! Impostare la profondità di taglio in modo tale che la lama penetri nel materiale e non nel supporto.

- Se la guida parallela non consente di impostare la larghezza di taglio desiderata, fissare un pezzo di legno dritto sul materiale come guida, quindi appoggiare il lato sinistro della piastra base contro questa guida ⑰
- Per ulteriori informazioni, visitare il sito web www.skil.com

MANUTENZIONE E RIPARAZIONE

- Questo utensile non è destinato all'uso professionale.
- Mantenere l'utensile sempre pulito (in particolare le aperture di ventilazione N).
- ! **Rimuovere la batteria dall'utensile prima di pulirlo.**
- Mantenere l'area intorno alla protezione inferiore W ② sempre pulita (rimuovere polvere e trucioli con dell'aria compressa o una spazzola).
- Pulire la lama immediatamente dopo l'uso (in particolare rimuovere i residui di resina o colla).
- Se l'utensile presenta malfunzionamenti nonostante l'attenzione durante la fabbricazione e il collaudo, deve essere riparato da un centro di assistenza autorizzato SKIL.
 - Portare l'utensile senza disassemblarlo insieme a una prova di acquisto presso il rivenditore o a un centro di assistenza SKIL (gli indirizzi e la vista esplosa dell'utensile sono riportati sul sito web www.skil.com).
- Nota: i danni causati dal sovraccarico o da un utilizzo improprio dell'utensile non sono coperti dalla garanzia (le condizioni della garanzia SKIL sono consultabili sul sito web www.skil.com o presso il rivenditore).

PROTEZIONE AMBIENTALE

- Non smaltire gli utensili, le batterie, gli accessori e i materiali di imballaggio insieme ai rifiuti domestici (solo per i Paesi UE).
 - Ai sensi della direttiva europea 2012/19/EC sui rifiuti di apparecchiature elettriche ed elettroniche e alla sua implementazione nella legislazione nazionale, gli utensili elettrici devono essere raccolti separatamente e portati presso un'apposita struttura di riciclaggio.
 - Il simbolo ⑥ indica tale obbligo.
- ! **Prima dello smaltimento, proteggere i terminali della batteria con del nastro isolante per evitare il rischio di corto circuito.**

EMISSIONE ACUSTICA E VIBRAZIONI

- I valori di emissioni acustica e delle vibrazioni sono stati misurati conformemente a EN 62841. Il livello di pressione sonora dell'utensile è di 96 dB(A) e il livello di potenza sonora è di 107 dB(A) (incertezza K = 3 dB). Il livello di vibrazioni è * (somma vettoriale triassiale; incertezza K = 1,5 m/s²)
 - * Taglio di legno: < 2,5 m/s²
 - * Taglio di metallo: < 2,5 m/s²
- Il valore totale di emissioni delle vibrazioni è stato misurato con il metodo valutazione standard prescritto da EN 62841 e può essere utilizzato per confrontare l'utensile con altri prodotti analoghi e per una valutazione preliminare dei livelli di esposizione.
 - L'utilizzo dell'utensile per altri scopi, o l'utilizzo di accessori diversi o in cattive condizioni, può aumentare significativamente il livello di esposizione.
 - Il periodo in cui l'utensile è spento, o è in funzione ma non in uso, può ridurre significativamente il livello di esposizione.
- ! **Per proteggersi dagli effetti delle vibrazioni, mantenere l'utensile e gli accessori in buono stato, tenere le mani calde e pianificare il lavoro.**

H

Szénkefe nélküli kompakt multifűrész

3540

BEVEZETÉS

- Az eszköz alkalmas fa, forgácslemez, rétegelt lemez, alumínium, burkolólapok, kő, műanyag és könnyű építőanyagok hosszanti és keresztirányú vágására, egyenes vonalban és max. 45 fokos szögben
- Ez a szerszám nem professzionális használatra készült.
- Olvassa el figyelmesen és őrizz meg ezt a használati utasítást. ③

MŰSZAKI ADATOK ①

A SZERSZÁM RÉSZEI ②

- A Hatszögkulcs
- B Imbuszkulcs tartója
- C Fogantyú
- D Trigger
- E Biztonsági kapcsoló
- F Elfordulás elleni gomb
- G Porkivezető csatlakozás
- H Porszívó illesztőegység
- J Vezetőléc
- K Vezetőlécet beállító csavar
- L Leolvasó
- M Talp
- N Szellőzőnyílások
- P Vágásmélység mutató
- Q Gomb a fűrészelés mélységének beállításához
- R Felső védőburkolat
- S Kar a fűrészlappvédő kinyitásához
- T LED lámpa
- U Vágási szöget beállító gomb
- V Vágási szög mutató
- W Alsó fűrészlappvédő pajzs
- X Rögzítő felület
- Y Keményfémlapkás körfűrészlap
- Z Karima
- AA Fűrészlap szorítócsavar
- AB Akkumulátor töltöttségi szintjét jelző gomb
- AC Edzett acél körfűrészlap
- AD Gyémánt vágókorong

BIZTONSÁG

AZ ELEKTROMOS SZERSZÁMOKRA VONATKOZÓ ÁLTALÁNOS BIZTONSÁGI FIGYELMEZTETÉSEK

⚠ FIGYELMEZTETÉS Olvassa el az elektromos kéziszerszámhoz mellékelt összes biztonsági figyelmeztetést, utasítást, ábrát és specifikációt. Az alább felsorolt utasítások be nem tartása áramütést, tűzveszélyt és/vagy súlyos sérülést idézhet elő..

Őrizzen meg minden figyelmeztetést és utasítást, hogy később is elő tudja majd venni.

Az „elektromos kéziszerszám” megnevezés a figyelmeztetésekben egyaránt vonatkozik a hálózati feszültségről működtetett (vezetékes) elektromos kéziszerszámokra, valamint az akkumulátorról működtetett (vezeték nélküli) elektromos kéziszerszámokra.

1) MUNKATERÜLETI BIZTONSÁG

- a) **A munkaterület legyen tiszta és jól megvilágított.** A munkaterületen uralkodó rendetlenségnek vagy a rossz megvilágításnak baleset lehet a következménye.
- b) **Ne használjon elektromos szerszámokat robbanásveszélynek kitett környezetben, például olyan helyen, ahol éghető folyadékok, gázok vagy porok találhatóak.** Az elektromos szerszámok szikrákat képeznek, amelyek meggyújthatják a porokat vagy gázokat.
- c) **Tartsa távol a gyermekeket és az illetéktelen személyeket, amikor elektromos szerszámmal dolgozik.** Ha megzavarják, elveszítheti uralmát a készülék felett.

2) ELEKTROMOS BIZTONSÁG

- a) **Az elektromos szerszám hálózati csatlakozódugójának illeszkednie kell az elektromos aljzathoz. Soha és semmiképpen se módosítsa a csatlakozódugót. Ne használjon adapteres csatlakozódugókat a földelt elektromos szerszámokhoz.** Az eredeti csatlakozódugó és megfelelő hálózati aljzat alkalmazásával megelőzi az áramütés veszélyét.
- b) **Ne érjen földelt felületekhez, ilyenek pl. a csövek, fűtőtestek, tűzhelyek vagy hűtőszekrények.** Az áramütés kockázata nagyobb, ha a teste le van földelve.
- c) **Ne tegye ki az elektromos szerszámot esőnek vagy nedves környezetnek.** Az elektromos szerszámba bekerülő víz megnöveli az áramütés kockázatát.
- d) **Ne használja a kábelt helytelen módon. Soha ne használja a kábelt az elektromos szerszám hordozására, húzására vagy lecsatlakoztatására. Tartsa távol a vezetékét hőtől, olajtól, éles szegélyektől és mozgó alkatrészektől.** A sérült vagy összegabalyodott hálózati kábelek megnövelik az áramütés veszélyét.
- e) **Az elektromos szerszám szabadtéri üzemeltetéséhez használjon szabadterén használható hosszabbító kábelt.** A szabadterén használható kábel alkalmazása csökkenti az áramütés kockázatát.
- f) **Ha elkerülhetetlen az elektromos szerszám használata nedves helyen, használjon földzárlat-megszakítóval (FI-relé) ellátott tápellátást.** A FI-relé használata csökkenti az áramütés veszélyét.

3) SZEMÉLYI BIZTONSÁG

- a) **Legyen figyelmes, ügyeljen arra, amit csinál, és józan ésszel fogjon a munkához, ha elektromos szerszámot használ. Ne használja az elektromos szerszámot, ha fáradtnak érzi magát, vagy ha kábítószert, alkoholt vagy gyógyszerek hatása alatt áll.** Az elektromos szerszám üzemeltetése közben egy pillanatrai figyelmetlenség is súlyos személyi sérülést okozhat.
- b) **Használjon egyéni védőfelszerelést. Mindig viseljen védőszemüveget.** A védőfelszerelések, mint például porvédő maszk, csúszásmentes lábbeli, sisak és

hallásvédő, rendeltetésszerű használata révén elkerüli a sérülési veszélyeket.

- c) **Akadályozza meg a véletlen indítást. Ügyeljen arra, hogy a kapcsoló kikapcsolt állásban legyen, mielőtt az áramforráshoz és/vagy az akkumulátoregységhez csatlakoztatja, felveszi vagy viszi a szerszámot.** Balesetekhez vezethet, ha a hálózatra csatlakoztatott szerszámot úgy viszi, hogy közben az ujjá a bekapcsoló gombon van, vagy ha a hálózati csatlakozódugót olyankor dugja be az aljzatba, amikor be van kapcsolva a szerszám.
 - d) **Vegye ki a csavarkulcsot és a beállító szerszámot, mielőtt az elektromos kéziszerszámot bekapcsolná.** Az elektromos szerszám mozgó alkatrészén felejtett csavarkulcs vagy eszköz személyi sérülést okozhat.
 - e) **Ne hajtson a szerszám fölé. Vegyen fel stabil testhelyzetet, és mindig tartsa meg az egyensúlyát.** Ezáltal jobban tudja irányítani az elektromos szerszámot a legváratlanabb helyzetben is.
 - f) **A haj és a ruházat ne érjen a mozgó részekhez.** A laza ruházatot, az ékszert vagy a hosszú hajat becsíphetik a mozgó alkatrészek.
 - g) **Ha az elektromos kéziszerszámot porelszívó vagy porfelfogó eszközzel szerelik fel, akkor győződjön meg arról, hogy ezek előírászerűen vannak-e csatlakoztatva, és használja őket a rendeltetésüknek megfelelően.** Porgyűjtő használata csökkentheti a porral járó veszélyeket.
 - h) **Ne hagyja, hogy a rendszeres használat során megszerzett tapasztalat miatt túl magabiztossá váljon, és emiatt figyelmen kívül hagyja a biztonsági irányelveket.** Egy óvatlan cselekedet a másodperc töredéke alatt súlyos sérülést okozhat.
- ### 4) AZ ELEKTROMOS SZERSZÁM ÜZEMELTETÉSE ÉS GONDOZÁSA
- a) **Ne terhelje túl az elektromos szerszámot. A munkájához használja az arra alkalmas elektromos kéziszerszámot.** A megfelelő elektromos szerszámmal jobban és biztonságosabban dolgozhat a megadott teljesítményhatárokon belül.
 - b) **Ne használja az elektromos szerszámot, ha nem lehet a bekapcsoló gomb segítségével be- vagy kikapcsolni.** Az olyan elektromos szerszám, amely nem irányítható a kapcsolóval, veszélyes és javításra szorul.
 - c) **Húzza ki a hálózati csatlakozó dugót az aljzataból és/ vagy vegye ki az akkumulátoregységet (ha kivehető) az elektromos szerszámból, mielőtt beállításokat végezne, tartozékot cserélne vagy az elektromos szerszámot elrakná.** Az ilyen megelőző biztonsági óvintézkedések csökkentik az elektromos szerszám véletlen beindításának kockázatát.
 - d) **A használaton kívüli elektromos szerszámokat gyermekektől távol tartsa, és ne engedje meg, hogy olyan személyek használják az elektromos szerszámot, akik nem ismerik azt, vagy nincsenek tisztában ezekkel a biztonsági utasításokkal.** Az elektromos szerszámok veszélyt jelentenek a gyakorlatlan felhasználók kezében.
 - e) **Gondosan tartsa karban az elektromos szerszámot és tartozékait. Ellenőrizze a mozgó részek beállítását és rögzítését, vizsgáljon meg minden részt, nem sérült-e, és ellenőrizze, nem állnak-e fenn olyan körülmények, amelyek befolyásolhatják az**

elektromos szerszám helyes működését. Használat előtt javíttassa meg a sérült elektromos szerszámot.

A rosszul karbantartott elektromos szerszámok sok balesetet okoznak.

- f) **A vágószerszámok legyenek mindig élesek és tiszták.** A megfelelően karbantartott és kiélezett vágóélekkel rendelkező vágószerszámok kevésbé hajlamosak az elgörbülésre, valamint könnyebben kezelhetők.
- g) **Az elektromos szerszámot, tartozékokat és szerszámfejeket, stb. mindig ezen biztonsági utasításoknak megfelelően használja, mindig vegye figyelembe a munkakörülményeket, és legyen tekintettel a megmunkálandó munkadarabra.** Az elektromos kéziszerszám előírt rendeltetési céltól eltérő használata veszélyes helyzetet eredményezhet.
- h) **Tartsa szárazon, tisztán, olajtól és zsírtól mentesen a fogantyúkat és a tartófelületeket.** A csúszós fogantyúk és tartófelületek miatt a szerszám kezelése és vezérlése váratlan helyzetekben nem biztonságos.
- 5) **AZ AKKUMULÁTORRAL MŰKÖDŐ SZERSZÁM ÜZEMELTETÉSE ÉS GONDOZÁSA**
- a) **Csak a gyártó által meghatározott töltőt használja.** Az olyan töltő, amely egy típusú akkumulátoregységhez alkalmas, tűzveszélyt okozhat, ha más típusú akkumulátoregységhez használja.
- b) **Az elektromos szerszámokat csak speciálisan meghatározott akkumulátoregységekkel használja.** Bármely más akkumulátoregység használata sérülés- vagy tűzveszélyt okozhat.
- c) **Amikor nem használja az akkumulátoregységet, tartsa távol más fémtárgyaktól, például gemkapcsoktól, érméktől, kulcsoktól, szögektől, csavaroktól vagy más kis fémtárgyaktól, amelyek kapcsolba léphetnek vele.** Az akkumulátorok kapcsolainak rövidzárlata égési sérülést vagy tüzet okozhat.
- d) **Nem megfelelő körülmények között folyadék szivároghat az akkumulátorból; ne érjen ehhez. Amennyiben véletlenül hozzáérne, mossa le vízzel. Ha ez a folyadék szembe kerül, forduljon orvoshoz is.** Az akkumulátorból kiszivárgó folyadék irritációt vagy égési sérülést okozhat.
- e) **Ne használjon sérült vagy módosított akkumulátoregységet vagy szerszámot.** A sérült vagy módosított akkumulátorok előre nem látható viselkedést válthatnak ki, amelynek eredménye tűz, robbanás vagy sérülésveszély lehet.
- f) **Ne tegye ki az akkumulátoregységet tűznek vagy túl magas hőmérsékletnek.** Ha tűznek, vagy 130 °C feletti hőmérsékletnek teszi ki, akkor felrobbanhat.
- g) **Tartsa be a töltési utasításokat, és ne töltsen az akkumulátoregységet vagy a szerszámot az utasításokban meghatározott hőmérséklet-tartományon kívül.** A nem megfelelő vagy a meghatározott hőmérséklet-tartományon kívüli töltés károsíthatja az akkumulátort, és növeli a tűzveszélyt.
- 6) **SZERVIZ**
- a) **Az elektromos kéziszerszám szervizelését szakképzett szerelő végezze, csak az eredetivel megegyező cserealkatrészek felhasználásával.** Ezzel biztosítja az elektromos szerszám biztonságának fenntartását.

- b) **Soha ne szervizeljen sérült akkumulátoregységet.** Az akkumulátoregységet csak a gyártó vagy felhatalmazott szerviz szolgáltató szervizelheti.

A KÖRFŰRÉSZRE VONATKOZÓ BIZTONSÁGI UTASÍTÁSOK

Vágási eljárások

- a) **VESZÉLY: Tartsa távol a kezét a vágási területtől és a fűrészlaptól.** Ha mindkét kezével tartja a fűrész, a fűrészlap nem vághatja el.
- b) **Ne nyúljon a munkadarab alá.** A védőburkolat nem tudja megvédeni Önt a pengétől a munkadarab alatt.
- c) **A vágási mélységet a munkadarab vastagságához állítsa be.** A munkadarab alatt ne látszódjanak teljesen a pengefogak.
- d) **Vágás közben soha ne tartsa a munkadarabot a kezében vagy keresztben a lábán. Biztosítsa a munkadarabot egy stabil platformra.** Fontos, hogy megfelelően rögzítse a munkadarabot, hogy minimálisra csökkentse a test terhelését, a penge elakadását, vagy az irányítás elvesztését.
- e) **Az elektromos szerszámokat a szigetelt markolatoknál fogva tartsa, amikor olyan műveletet végez, ahol a vágószerszám rejtejt vezetékét érinthet.** A „feszültség” alatti vezetékkel való érintkezés „feszültség” alá helyezheti az elektromos kéziszerszám burkolat nélküli fémrészeit, és a gépkezelő áramütést szenvedhet.
- f) **Fűrészelésnél mindig használjon fűrész kerítést vagy egyenes élű vezetőt.** Ez javítja a vágás pontosságát és csökkenti a penge elakadásának esélyét.
- g) **Mindig olyan pengéket használjon, amelyek tüske furata megfelelő méretű és formájú (gyémánt vagy kör).** A fűrész szerelési tartozékaéhoz nem illeszkedő fűrészlap egyenetlenül fog futni, ezzel az irányítás elvesztését okozva.
- h) **Soha ne használjon sérült vagy helytelen penge alátétet vagy csavart.** A penge alátéteket és csavarokat kifejezetten a fűrészhez tervezték az optimális teljesítmény és a biztonságos működés érdekében.

Visszarúgás okai és kapcsolódó figyelmeztetések

- A visszarúgás egy becsípett, elakadt vagy rosszul beállított fűrészpengére adott hirtelen reakció, amely által a fűrész irányíthatatlanná válik, és felemelkedik a munkadarabból a kezelő felé.
- Amikor a fűrészlap szorosan becsíppdik vagy elakad a bevágásban, a fűrészlap elakad, akkor a motor reakciójaként az egység gyorsan visszalökődik a kezelő felé.
- Ha a fűrészlap meghajlik vagy eltolódik a vágásban, a fűrészlap hátsó szélén lévő fogak belevághatnak a fa felső felületébe, ami miatt a fűrészlap kiválik a szegélyből, és visszaugrik a kezelő felé.

A visszarúgást a fűrész helytelen használata, illetve a nem megfelelő üzemeltetési bánásmód okozza, az alább felsorolt megfelelő óvintézkedések alkalmazásával kerülhető el:

- a) **Tartsa erősen a fűrész, és úgy helyezkedjen**

el a testével és karjával, hogy ellen tudjon tartani a visszarúgó erőknél. Legyen a teste a fűrészlap valamelyik oldalán, de ne egy vonalban a fűrészlappal. A visszarúgás miatt a fűrész visszaugorhat, a kezelő azonban szabályozhatja a visszarúgás erejét, ha megteszi a megfelelő óvintézkedéseket.

- b) **Amikor a penge meghajlik, vagy bármilyen okból megszakad a vágás, engedje el a triggeret, és tartsa a fűrésztestet mozdulatlanul az anyagban, amíg a penge teljesen meg nem áll. Soha ne próbálja meg eltávolítani a fűrésztestet a munkadarabból, és ne próbálja meg visszahúzni a fűrésztestet, amíg a penge mozog, vagy visszarúgás fordulhat elő.** Vizsgálja meg és hírtássa el a hibát, hogy megszüntesse a penge elakadásának okát.
- c) **Amikor újraindítja a fűrésztestet a munkadarabban, a fűrészlapot a mélyedésben úgy kell központosítani, hogy a fűrészfogak ne akadjanak bele az anyagba.** Ha egy fűrész penge megakad, akkor a fűrész újraindítása közben felfelé mozoghat vagy visszarúghat a munkadarabról.
- d) **Rögzítse a nagy paneleket, hogy minimálisra csökkentse a fűrészlap megakadásának és visszarúgásának kockázatát.** A nagy panelek hajlamosak a saját súlyuk alatt elhajlani. A tartókat mindkét oldalon a panel alá kell helyezni, a vágási vonal közelében és a panel szélének közelében.
- e) **Ne használjon tompa vagy sérült pengéket.** Az életlen vagy nem megfelelően beállított pengék a vezetőlemez keskenyedéséhez vezetnek, ami túlzott súrlódást, a penge elakadását, és visszarúgást okozhat.
- f) **A vágás előtt a penge mélység és ferdeség beállító reteszelőkaroknak szorosan és biztonságosan kell lenniük.** Ha a penge beállítása vágás közben eltolódik, az elakadást és visszarúgást okozhat.
- g) **Fokozott óvatossággal járjon el, ha meglévő falba vagy más holtbélre fűrészeli.** A kiálló penge elvághat tárgyakat, amely visszarúgást okozhat.

Alsó védőburkolat funkció

- a) **Minden használat előtt ellenőrizze az alsó védőburkolat megfelelő záródását. Ne működtesse a fűrésztestet, ha az alsó védőburkolat nem mozog szabadon és azonnal lezár. Soha ne szorítsa be, és ne rögzítse az alsó védőburkolatot nyitott helyzetben.** Ha a fűrész véletlenül leesik, az alsó védőburkolat meghajlik. Emelje fel az alsó védőburkolatot a visszahúzó fogantyúval, és győződjön meg róla, hogy szabadon mozog-e, és nem ér-e a pengéhez vagy bármely más részhez minden szögben és mélységben.
- b) **Ellenőrizze az alsó védőburkolat rugóinak működését. Ha a védőburkolat és a rugó nem működik megfelelően, akkor használat előtt szervizelni kell őket.** Az alsó védőburkolat a sérült részek, a gumi nyomok vagy a termélek felhalmozódása miatt lassú működést okozhat.
- c) **Az alsó védőburkolat csak olyan speciális vágások esetén húzható vissza kézzel, mint például a „beszűrő vágások” és „összetett vágások”.** Emelje fel az alsó védőburkolatot a visszahúzó fogantyúval,

és amint a penge behatol az anyagba, az alsó védőburkolatot el kell engedni. Az összes többi fűrészlemezhez az alsó védőburkolatnak automatikusan kell működnie.

- d) **Mindig ügyeljen arra, hogy az alsó védőburkolat fedje a pengét, mielőtt a fűrésztest egy padra vagy padlóra helyezi.** A védtelen, leálló penge miatt a fűrész hátrafelé mozog, és elvágja, ami az útjába kerül. Figyeljen arra az időre, amely ahhoz szükséges, hogy a penge leálljon a kapcsoló megnyomása után.

KIEGÉSZÍTŐ BIZTONSÁGI ELŐÍRÁSOK

ÁLTALÁNOS TUDNIVALÓK

- A készüléket csak 16 éven felüli személyek használhatják
- Ez a készülék nedves vágási munkálatokhoz nem használható
- Ne munkáljon meg a berendezéssel azbeszttel tartalmazó anyagokat (az azbeszttel rákkeltő hatású anyagok minőségű)**
- Az olyan anyagokból származó por, mint például az ólmot tartalmazó festék, néhány fajfajta, ásványi anyagok és fém, káros lehet (a por megérintése vagy belégzése allergiás reakciókat és/vagy légzőszervi betegségeket okozhat a kezelő, illetve a közelben állók esetében); **viseljen pormaszkot, és amennyiben csatlakoztatható, dolgozzon aeroszolívó berendezéssel**
- Bizonyos porfajták rákkeltő besorolással rendelkeznek (ilyen például a tölgypor és a bükkfa pora), különösen a fa kondicionálására szolgáló adalékokkal együtt; **viseljen pormaszkot és amennyiben csatlakoztatható, dolgozzon aeroszolívó berendezéssel**
- Kövesse a por kezelésével kapcsolatos helyi előírásokat azon termékkel kapcsolatosan, amellyel dolgozni kíván
- Ne használja ezt a fűrésztestet fűrészasztalal együtt
- Vegye ki az akkumulátort a szerszámot, mielőtt beállításokat végezne vagy tartozékcserét elvégzik

TARTOZÉKOK

- SKIL cég kizárólag eredeti alkatrészek és kiegészítők alkalmazása esetén tudja garantálni a gép problémamentes működését
- Csak olyan fűrészlapokat használjon, amelyek megfelelnek az ezen kezelési utasításban megadott adatoknak és amelyeket az EN 847-1 szabványnak megfelelően ellenőriztek és megfelelőnek találtak a fára és fához hasonló anyagokra vonatkozóan
- Csak olyan tartozékokat használjon, amelyek legmagasabb megengedett fordulatszáma legalább akkora, mint a berendezés legmagasabb üresjáratú fordulatszáma **Csak 9,5 mm tengelyfurat átmérővel rendelkező, minimum 115 mm és maximum 120 mm közötti átmérőjű fűrészlapot/vágókeréket használjon**
- Ezt a készülékhez ne használjon közzörgőkorongot
- A tartozékokat óvatosan kezelje és tárolja
- Határozza meg a vágni kívánt anyaghoz megfelelő fűrészlapot.

HASZNÁLAT ELŐTT

- Ügyeljen arra, hogy a munkadarabban lévő csavar, szög vagy hasonló sérülések ne okozhasson; a munka megkezdése előtt eltávolítandó
- Mielőtt elkezdené a vágást, távolítson el minden akadályt a vágási vonal elől
- Rögzítse a munkadarabot** (befogókészülékkel vagy satuval befogott munkadarabot sokkal biztonságosabban

lehet rögzíteni mint a kézzel tartottat)

- **A rejtett vezetékek kereséséhez használjon arra alkalmas fémkereső készüléket, vagy kérje ki a helyi energiellátó vállalat tanácsát** (ha egy elektromos vezeték megérint a berendezéssel, az tűzhöz és áramütéshez vezethet; a gázvezeték megrongálása robbanást eredményezhet; a vízvezetékbe való behatolás anyagi károkhöz és áramütéshez vezethet)

HASZNÁLAT KÖZBEN

- Munka közben a zaj meghaladhatja a 85 dB(A); használjon fülvédőt
- Sohasé használja a készüléket az eredeti védőburkolat nélkül
- Ne próbáljon nagyon kisméretű munkadarabot vágni
- A géppel ne dolgozzon feje felett
- A normálistól eltérő működés, valamint elektromos és mechanikus rendellenesség esetén azonnal kapcsolja ki a szerszámot és vegye ki az akkumulátort

A HASZNÁLATOT KÖVETŐEN

- A gépet soha ne hagyja bekapcsolott állapotban, ha már nem dolgozik vele
- Készülékének kikapcsolása után a fűrészlapp leállítását semmilyen külső behatással (kézzel, valamely tárggyal), ne kísérelje meg gyorsítani

AKKUMULÁTOROK

- A tartozék akkumulátor részlegesen van feltöltve (az akkumulátor teljes kapacitásának biztosítása érdekében az elektromos szerszám első használata előtt töltsen fel teljesen az akkumulátort az akkumulátortöltőben)
- Csak a következő akkumulátorokkal és töltőkkel használja a szerszámot
 - SKIL akkumulátor: BR1*31****
 - SKIL töltő: CR1*31****
- A hibás akkumulátor ne használja, hanem cserélje ki
- Ne szerelje szét az akkumulátort
- A szerszámot/akkumulátort óvja az esőtől
- Megengedett környezeti hőmérséklet (szerszám/töltő készülék/akkumulátor):
 - a töltés során 4...40°C
 - a használat során -20...+50°C
 - a tárolás során -20...+50°C

A KÉSZÜLÉKEN/AKKUMULÁTORON TALÁLHATÓ SZIMBÓLUMOK MAGYARÁZATA

- ③ Használat előtt olvassa el a használati utasítást
- ④ Ha az akkumulátorok tűzbe kerülnek, akkor felrobbanhatnak, ezért semmilyen okból ne égesse el az akkumulátorokat
- ⑤ Ne tárolja a szerszámot/töltőt/akkumulátort 50°C feletti helyiségben
- ⑥ Ne dobja ki az elektromos szerszámokat és az akkumulátorokat a háztartási hulladékok közé

KEZELÉS

- Az akkumulátor töltése
! olvassa el a töltővel kapott biztonsági figyelmeztetéseket és utasításokat
- Az akkumulátor kivétele/berakása ②
- Akkumulátor töltésszintjelző ⑦
 - nyomja meg az akkumulátor töltöttségi szintjét jelző gombot AB az aktuális akkumulátorszint ⑦a kijelzéséhez
- ! amikor az AB ⑦b gomb megnyomása után az akkumulátor kijelzőjének legalacsonyabb szintje villogni kezd, az akkumulátor lemerült**

! amikor az AB ⑦c gomb megnyomása után az akkumulátor kijelzőjének 2 szintje villogni kezd, az akkumulátor nincs a megengedett üzemi hőmérséklet-tartományon belül

- LED lámpa T ⑧
A LED lámpa automatikusan világít, amikor a szerszám elindul
! ha a LED lámpa elkezd villogni, az akkumulátorkímélés életbe lép (lásd az alábbiakban)
- Az akkumulátor védelme
A szerszám hirtelen kikapcsol vagy nem lehet visszakapcsolni, ha
 - **túl nagy a terhelés** --> távolítsa el a terhelést és kezdje újra
 - **az akkumulátor hőmérséklete kívül esik a -20 és +50 °C közötti megengedett üzemi hőmérséklet-tartományon** --> az AB 7c gomb megnyomásakor az akkumulátor töltésszintjelző 2 szintje villogni kezd; várjon addig, amíg az akkumulátor vissza nem tér a megengedett hőmérséklet-tartományba
 - **az akkumulátor majdnem lemerült (a mélykisülés elleni védelem érdekében)** --> alacsony akkumulátor töltésszint vagy villogó ub alacsony akkumulátor töltésszint az akkumulátor töltésszintjelzőn látható az AB gomb megnyomásakor; töltsen fel az akkumulátort
- ! ha a készülék automatikusan kikapcsolt, ne próbálja nyomogatni a be-/kikapcsoló gombot, mert az akkumulátor károsodhat**
- A fűrészlapp felszerelése ②
! vegye ki az akkumulátort a szerszámból
 - vegye ki az A hatszögkulcsot a B tartóból
 - nyomja be a tengelyt reteszelő F gombot, és tartsa benyomva, amíg az A fűrészlappkulcsot AZ ÓRAMUTATÓ JÁRÁSÁNAK IRÁNYÁBA (= ugyanabba az irányba, amelybe a fűrészlappra nyomtatott nyíl is mutat) elfordítva eltávolítja a fűrészlapp AA szorítócsavarját
- ! csak akkor nyomja be a tengelyt reteszelő F gombot, amikor a készülék üzemben kívüli állapotban van**
 - engedje el a tengelyt reteszelő F gombot
 - távolítsa el a Z peremes gyűrűt
- ! ügyeljen arra, hogy a peremes gyűrűk fűrészlappal érintkező X felületei teljesen tiszták legyenek és felhelyezésük a megfelelő irányban történjen**
 - nyissa ki az alsó W fűrészlappvédőt az S karral, és a kart lenyomva tartva szerelje ki a fűrészlapot úgy, hogy a fűrészlappra nyomtatott nyíl valamint a fogak iránya megegyezzen a fűrészlappvédő felső részén látható nyíl irányával
 - engedje vissza az alsó W fűrészlappvédőt
 - helyezze vissza a Z peremes gyűrűt
 - nyomja be a tengelyt reteszelő F gombot, és tartsa benyomva, amíg a fűrészlapp szorítócsavarját kézzel megszorítja, majd azt a fűrészlappkulccsal ismételtlen meghúzza az 1/8 fordulattal (meggátolja a fűrészlapp megcsúszását, amennyiben az nagy ellenállásba ütközne, ill. csökken a motor túlterhelése és visszaütése)
 - engedje el a tengelyt reteszelő F gombot
- Vágásmélység beállítás (0-41 mm) ⑨
 - az optimális vágás érdekében nem célszerű, ha a

- körfűrészlap több mint 3 mm-t kilóg a munkadarabból
- engedje ki a Q gombot
- emelje/engedje az M lábazatot amíg a P mutató eléri a kívánt vágásmélységet
- rögzítse a Q gombbal
- Vágási szög beállítása (0-45°) ⑩
 - lazítsa meg az U gombot
 - döntse meg a gépet, amíg a V mutató el nem éri a kívánt vágási szöget
 - rögzítse az U gombbal
- ! **ferde síkú vágás esetén a vágásmélység nem egyezik meg a vágásmélység-skálán látható értékkel**
- Vágásvonal-jelző L ⑪
 - a gép pontos használata érdekében vágjon a munkadarabon a rajzolt vonal mentén
 - egyenes 0°-os vagy 45°-os vágásiszög érdekében használja a megfelelő mutatóvonalat
- ! **a lábazat nagyobbik részének fel kell feküdnie a munkadarabra**
- ! **a vágási szélességet a fűrészlap fogainak szélessége határozza meg, nem pedig a fűrészlap vastagsága**
- ! **a tényleges vágásvonal ellenőrzéséhez mindig végezzen először próbavágást**
- Porszívás ⑫
 - Porszívó használata
 - csatlakoztassa a porszívó csövét a porszívó adapteréhez H
- ! **figyeljen arra, hogy a porszívócső soha ne akadályozza az alsó fűrészlapvédő nyílást és a vágási munkálatokat**
- ! **ne használja a porszívót fém vágása közben**
- A szerszám használata
 - akkumulátor behelyezése
 - mindig tartsa erősen a C fogantyút
 - a gépet helyezze a lábazat előoldalával a munkadarabra
- ! **ellenőrizze, hogy a fűrészlap fogai nem szorultak-e be a munkadarabra**
- kapcsolja be a gépet úgy, hogy mindig először megnyomja az E gombot (= biztonsági kapcsoló, amit nem lehet rögzíteni), majd meghúzza a D kapcsolót
- ! **a körfűrésznek teljes fordulatszámon kell működnie, mielőtt a munkadarabra vezet**
- a W fűrészlapvédő automatikusan kinyílik, amikor beleveteti a fűrészlapot a munkadarabra (csak speciális vágásokhoz, például szűrővágáshoz nyissa ki kézzel az alsó védőburkolatot, az S kar segítségével)
- ! **ne erőltesse a szerszámot (alkalmazzon enyhe és folyamatos nyomást, hogy a vágópengé hegye ne hevüljön túl)**
- ! **munka közben végig tartsa gépet a markolati terület(ek)nél fogva**
- a vágás befejeztével kapcsolja ki a gépet a D kapcsolót segítségével
- ! **ellenőrizze, hogy a fűrészlap teljesen leállt-e, mielőtt a gépet a munkadarabtól eltávolítja**

HASZNÁLAT

- Vágás közben a munkadarab használni kívánt oldala mindig lefelé nézzen, minimálisra csökkentve a sérülések

- előfordulását a munkadarab használni kívánt oldalán.
- A fűrészelési teljesítmény és a vágási minőség alapvetően a fűrészlap állapotától és fogszámától függ.
- Csak olyan éles fűrészlapot használjon, amely alkalmas a vágni kívánt anyaghoz ⑬
 - használjon edzett acél AC ② fűrészlapot fa, alumínium, műanyag és minden fajta rétegelt lemez vágására
 - használjon AD ② gyémántkorongot a kerámia- és burkolólapok vágására
 - az Y ② keményfémplakás fűrészlapnak 30-szor hosszabb az élettartama, mint egy hagyományosé
- Párhuzamos vezetőléc J ⑭
 - pontos párhuzam vágásokhoz
 - helyezze be a láb elején lévő nyílásokon keresztül Vezetőléc beállítása
 - lazítsa meg a K csavart az A hatlapú kulccsal
 - állítsa be a kívánt vágási szélességet a vezetőlécen lévő számozás alapján (használja az L vágásvonal-jelzőt a 0 referenciához)
 - húzza meg a K csavart
- Beszűrő vágás ⑮
 - a kívánt vágási mélységet állítsa be
 - döntse előre a gépet úgy, hogy az L vágásvonal-leolvadó a munkadarabon jelölt, vágni kívánt vonallal egy vonalban legyen
 - nyissa ki az alsó W fűrészlapvédőt az S karral
 - mielőtt a fűrészlap beleér a munkadarabra kapcsolja be a gépet, és a körfűrészgép hátsó részét lassan nyomja lefelé úgy, hogy az előoldalon lévő lábazat széle legyen a terhelendő pont
 - a gépet lassan engedje lefelé és egyidejűleg nyomja előre
 - engedje ki az S kart, amint a fűrészlap behatol az anyagba
- ! **soha ne húzza hátrafelé a gépet**
- Nagyméretű lemezek vagy táblák vágása ⑯
 - a vágásvonal mentén támasza alá a lemezt egy munkaesztalon vagy a földön
- ! **állítsa be a vágás mélységét úgy, hogy átvágja a panelt, de vigyázzon, hogy a tartóba ne vágjon bele**
- amennyiben a vezetőléc nem engedi a kívánt szélesség beállítását, úgy szögeljen egy egyenes falécc a munkadarabra, amely vezetőlécként szolgál, és használja a láb bal oldalát a vezetőlécnél ⑰
- A további információkért lásd a www.skil.com oldalt


KARBANTARTÁS / SZERVIZ

- Ez a szerszám nem professzionális használatra készült
- Mindig tartsa tisztán a szerszámot (különös tekintettel az N szellőzőnyílásokra)
- ! **tisztítás előtt vegye ki az akkumulátort**
- Az alsó W ② fűrészlapvédő alatti területet mindig tartsa tisztán (sűrített levegővel vagy kefével távolítsa el a port és a faforgácsot)
- Közvetlen a használat után tisztítsa meg a körfűrészlapot (főleg a gyantától és a ragasztótól)
- Ha a szerszám a gondos gyártási és ellenőrzési eljárás ellenére egyszer mégis meghibásodna, akkor a javítással csak SKIL elektromos kéziszerszám-műhely ügyfélszolgálatát szabad megbízni
 - megbontás nélküli állapotában küldje a szerszámot a vásárlást bizonyító számlával együtt a márkakereskedő

vagy a legközelebbi SKIL szervizállomás címére (a címlista és a gép szervizdiagramja a www.skil.com címen található)

- Vegye figyelembe, hogy a szerszám túlterheléséből vagy helytelen kezeléséből eredő károk nem tartoznak a garancia hatálya alá (a SKIL garanciális feltételeit elolvashatja a www.skil.com oldalon, vagy kérdezze meg kereskedőjét)

KÖRNYEZET

- Az elektromos szerszámokat, akkumulátorokat, tartozékokat és csomagolást ne tegye a háztartási hulladékok közé (csak EU-országok számára)
 - az elektromos és elektronikus berendezések hulladékaikról szóló 2012/19/EK európai irányelv és annak a nemzeti joggal összhangban történő végrehajtása értelmében az elhasználadott elektromos szerszámokat külön kell gyűjteni, és környezetbarát módon újra kell hasznosítani
 - erre emlékeztet a  jelzés, amennyiben felmerül az intézkedésre való igény

! ártalmatlanítás előtt erős szigetelőszalaggal védje az akkumulátor kapcsait a rövidzárlat elkerülése érdekében

ZAJ / REZGÉS

- Az EN 62841 szabványnak megfelelően végzett mérés szerint a szerszám hangnyomásszintje 96 dB(A), a hangteljesítményszintje 107 dB(A) (bizonytalanság K = 3 dB), a rezgés pedig *(háromtengelyű vektor összege; bizonytalanság K = 1,5 m/s²)

* Fa vágásához < 2,5 m/s²

* fém vágása < 2,5 m/s²

- A rezgés kibocsátási szint mérése az EN 62841 szabványosított vizsgálat szerint történt; ez az érték felhasználható egy szerszám és egy másik szerszám összehasonlítására, valamint a rezgésnek való kitettség előzetes értékelésére, amikor a szerszámot az említett alkalmazásokhoz használják
 - a szerszám különböző alkalmazásokhoz való használata, vagy más vagy rosszul karbantartott tartozékokkal történő használata jelentősen megnövelheti a kitettség szintjét
 - azok az idők, amikor a szerszám ki van kapcsolva, vagy működik ugyan, de valójában nem végez munkát, jelentős mértékben csökkenthetik a kitettség szintjét
- ! védekezzen a rezgés hatása ellen a szerszám és tartozékai karbantartásával, a kezek melegen tartásával és a munkamódszerek megszervezésével**

CZ

Bezkontaktní kompaktní multifunkční pila

3540

ÚVOD

- Tento nástroj je určen pro podélné a příčné řezání dřeva, dřevotřísky, překližky, hliníku, dlažby, kamene, plastových hmot a lehkých stavebních materiálů s rovnými i úhlovými řezy do 45

- Tento nástroj není určen k profesionálnímu použití.
- Tento návod s pokyny si pečlivě přečtěte a uschovejte. 


TECHNICKÉ ÚDAJE

SOUČÁSTI NÁŘADÍ

- A Šestihranný klíč
- B Uložení imbusového klíče
- C Rukojeť
- D Spínač
- E Bezpečnostní spínač
- F Tlačítko k zajištění vřetena
- G Port pro odsávání prachu
- H Adaptér vysavače
- J Paralelní doraz
- K Šroub pro nastavení ochranného krytu
- L Indikátor trasy řezu
- M Základní deska
- N Větrací šterbiny
- P Ukazatel hloubky řezu
- Q Knoflík k nastavení hloubky řezání
- R Horní vodičko
- S Páčka pro otevření spodního ochranného krytu
- T LED světlo
- U Knoflík pro nastavení úhlu řezu
- V Ukazatel úhlu řezu
- W Spodní ochranný kryt
- X Povrch příruby
- Y Pilový kotouč z tvrdých kovů
- Z Příruba
- AA Šroub upevňovací kotouče
- AB Tlačítko kontrolky nabití akumulátoru
- AC Pilový kotouč z tvrdé oceli
- AD Diamantový kotouč

BEZPEČNOST

OBEČNÁ BEZPEČNOSTNÍ VAROVÁNÍ PRO PRÁCI S ELEKTRICKÝM NÁŘADÍM

 **VAROVÁNÍ** Prostudujte si všechny bezpečnostní výstrahy, pokyny, ilustrace a technické údaje dodané s tímto elektrickým nářadím. Nedodržení všech níže uvedených pokynů může vést k úrazu elektrickým proudem, požáru a/nebo vážnému úrazu.

Všechna varování a pokyny uschovejte pro budoucí použití.

Termín „elektrické nářadí“ ve varováních odkazuje na vaše elektrické nářadí (s kabelem) nebo akumulátorové nářadí (bez kabelu).

1) BEZPEČNOST NA PRACOVÍŠTI

- Udržujte pracovní prostor v čistotě a dobře osvětlený.** Nepořádek nebo neosvětlené pracovní oblasti bývají příčinou úrazů.
- Neppracujte s elektrickým nářadím ve výbušném prostředí, například v přítomnosti hořlavých kapalin, plynů nebo prachu.** Elektrické nářadí je zdrojem jiskření, které může zapálit prach nebo výpary.
- Při práci s elektrickým nářadím udržujte děti**

- a **přihlízející osoby v bezpečné vzdálenosti.** Nesoustředěnost může způsobit ztrátu kontroly.
- 2) ELEKTRICKÁ BEZPEČNOST**
- a) **Zástrčky elektrického nářadí musí odpovídat zásuvkám. V žádném případě nikdy neupravujte zástrčku. S uzemněným elektrickým nářadím nepoužívejte žádné rozbočovací zásuvky.** Neupravené zástrčky a shodné zásuvky snižují riziko úrazu elektrickým proudem.
- b) **Zabraňte kontaktu těla s uzemněnými povrchy, jako jsou potrubí, radiátory, sporáky a ledničky.** Existuje zvýšené riziko úrazu elektrickým proudem, pokud je vaše tělo uzemněno.
- c) **Nevystavujte elektrické nářadí dešti nebo vlhkému prostředí.** Vniknutí vody do elektrického nářadí zvyšuje riziko úrazu elektrickým proudem.
- d) **Nezatěžujte kabel. Nikdy nepoužívejte napájecí kabel k přenášení nářadí, tahání nebo vytažování zástrčky ze zásuvky. Udržujte kabel daleko od tepla, oleje, ostrých hran nebo pohyblivých částí.** Poškozené nebo spletené kabely zvyšují riziko úrazu elektrickým proudem.
- e) **Při práci s nářadím venku používejte prodlužovací kabel vhodný pro venkovní použití.** Použití kabelu vhodného pro venkovní použití snižuje riziko úrazu elektrickým proudem.
- f) **Pokud musíte s elektrickým nářadím pracovat ve vlhkém prostředí, použijte napájení s ochranou proti zbytkovému proudu (RCD).** Použití RCD snižuje riziko úrazu elektrickým proudem.
- 3) BEZPEČNOST OSOB**
- a) **Při práci s elektrickým nářadím buďte stále pozorní, sledujte, co děláte a používejte zdravý rozum. Nepoužívejte elektrické nářadí, jste-li unaveni nebo pod vlivem drog, alkoholu nebo léků.** Chvilka nepozornosti při práci s nářadím může vést k vážnému zranění.
- b) **Používejte osobní ochranné pracovní prostředky. Vždy používejte ochranu očí.** Ochranné pomůcky, jako např. respirátor, protiskluzová bezpečnostní obuv, pevná přilba nebo chrániče sluchu používané ve vhodném prostředí snižují riziko úrazu.
- c) **Zabraňte náhodnému spuštění. Před připojením ke zdroji napětí a/nebo akumulátoru, zvedáním nebo přenášením nářadí se ujistěte, že vypínač je ve vypnuté poloze.** Přenášení nářadí s prstem na hlavním spínači nebo zapojení nářadí, které má spínač v zapnuté poloze, může způsobit nehody.
- d) **Před zapnutím elektrického nářadí odstraňte seřizovací klíče nebo klíče.** Nástroj nebo klíč, který zůstane upevněn k otáčející se části elektrického nářadí, může způsobit osobní zranění.
- e) **Nepřeceňujte své síly. Vždy udržujte pevný postoj a rovnováhu.** To umožní lepší ovládnutí elektrického nářadí v nečekaných situacích.
- f) **Udržujte své vlasy a oblečení mimo dosah pohyblivých částí.** Volný oděv, šperky nebo dlouhé vlasy se mohou zachytit do pohyblivých se částí.
- g) **Pokud je zařízení vybaveno adaptérem pro připojení odsávání prachu a sběrnými zařízeními, zajistěte jejich správné připojení a řádnou funkci.** Použití odsávání prachu může snížit nebezpečí týkající se prachu.
- h) **Nedovolte, abyste se po získání zkušeností častým používáním nástrojů stali neobezřetnými a ignorovali zásady bezpečnosti.** Nedbalá činnost může způsobit vážné zranění za zlomek sekundy.
- 4) POUŽITÍ A PÉČE O ELEKTRICKÉ NÁŘADÍ**
- a) **Netlačte příliš na nářadí. Používejte správný typ nářadí pro vaše použití.** Správné elektrické nářadí bude pracovat lépe a bezpečněji rychlostí, pro kterou bylo navrženo.
- b) **Nepoužívejte elektrické nářadí v případech, že vypínač nefunguje.** Jakékoliv elektrické nářadí, které nelze ovládat vypínačem, je nebezpečné a musí se opravit.
- c) **Před jakýmkoliv seřizováním, výměnou příslušenství nebo před uložením nepoužívaného elektrického nářadí odpojte napájení nebo akumulátor, jde-li to provést.** Tato preventivní bezpečnostní opatření snižují riziko náhodného spuštění elektrického nářadí.
- d) **Nepoužívané elektrické nářadí uchovávejte mimo dosah dětí a nenechte s elektrickým nářadím pracovat osoby, které se neseznámily s elektrickým nářadím nebo těmito pokyny.** Elektrické nářadí je v rukou nekalifikované obsluhy nebezpečné.
- e) **Udržujte elektrické nářadí a příslušenství. Zkontrolujte vychýlení či zaseknutí pohyblivých částí, poškození jednotlivých dílů a jiné okolnosti, které mohou ovlivnit chod nářadí. Je-li nářadí poškozeno, nechejte ho před použitím opravit.** Mnoho nehod je způsobeno nedostatečnou údržbou nářadí.
- f) **Udržujte řezné nástroje ostré a čisté.** Řádně udržované řezné nástroje s ostrými reznými hranami nemají tendenci se ohýbat a lépe se ovládají.
- g) **Používejte elektrické nářadí, příslušenství a nástrojové bity atd. v souladu s těmito pokyny s přihlédnutím k pracovním podmínkám a práci, která má být provedena.** Používání elektrického nářadí k činnostem, pro které není určeno, může vést k nebezpečným situacím.
- h) **Udržujte rukojeti a uchopovací plochy suché, čisté, bez oleje a maziva.** Kluzké rukojeti a plochy pro uchopení neumožňují bezpečnou manipulaci s nářadím a jeho ovládnutí v nečekaných situacích.
- 5) POUŽITÍ A PÉČE O AKUMULÁTOROVÉ NÁŘADÍ**
- a) **K nabíjení používejte pouze nabíječku doporučenou výrobcem.** Nabíječka vhodná pro jeden typ akumulátoru může způsobit riziko požáru při použití s jiným akumulátorem.
- b) **Používejte elektrické nářadí pouze se specifikovanými akumulátory.** Použití jiných akumulátorů může způsobit riziko úrazu a požáru.
- c) **Pokud akumulátor nepoužíváte, držte jej z dosahu kovových předmětů, jako jsou kancelářské sponky na papír, mince, klíče, hřebíky, šroubky nebo další drobné kovové předměty, které mohou propojit kontakty baterie.** Zkratování kontaktů baterie může způsobit spálení nebo požár.
- d) **V nevhodných podmínkách může kapalina unikat z baterie. Zabraňte kontaktu. Při náhodném kontaktu opláchněte vodou. Při zasažení očí kapalinou vyhledejte lékařskou pomoc. Unikající kapalina z akumulátoru může způsobit podráždění pokožky nebo popálení.**

- e) **Nepoužívejte akumulátor nebo nástroj, který je poškozen nebo upraven.** Poškozené nebo upravené baterie mohou mít nepředvídatelné chování, které může vést k požáru, výbuchu nebo nebezpečí zranění.
- f) **Nevystavujte akumulátor ani nářadí ohni nebo příliš vysoké teplotě.** Při vystavení ohni nebo teplotě nad 130 ° C může dojít k výbuchu.
- g) **Dodržujte všechny pokyny pro nabíjení a nenabíjejte baterii nebo nářadí mimo rozsah teplot uvedených v pokynech.** Nesprávné nabíjení nebo nabíjení při teplotách mimo stanovený rozsah může poškodit akumulátor a zvýšit riziko požáru.
- 6) **SERVIS**
- a) **Svěťte opravu vašeho elektrického nářadí kvalifikované osobě používající pouze shodné náhradní díly.** Tím zajistíte bezpečnost elektrického nářadí.
- b) **Nikdy neopravujte poškozené akumulátory.** Servis akumulátorů může provádět pouze výrobce nebo autorizovaní poskytovatelé služeb.

BEZPEČNOSTNÍ POKYNY PRO KOTOUČOVÉ PILY

Postupy řezání

- a) **NEBEZPEČÍ: Udržujte ruce mimo oblast řezání a pilového kotouče.** Pokud pilu drží obě ruce, pilový kotouč je nemůže pořezat.
- b) **Nesahejte pod obrobek.** Ochranný kryt nechrání před pilovým kotoučem pod obrobkem.
- c) **Hloubku řezu přizpůsobte tloušťce obrobku.** Pod obrobkem by měl být viditelný méně než celý zub pilového kotouče.
- d) **Při řezání nikdy nedržte obrobek v rukou nebo přes nohu. Upevněte obrobek na stabilní platformě.** Je důležité správně podepřít obrobek, aby se minimalizovalo zatížení těla, možnost uvíznutí pilového kotouče nebo ztráta kontroly.
- e) **Při provádění práce, při které se může řezný nástroj dostat do kontaktu se skrytým vedením, držte elektrické nářadí pouze za izolované části rukojeti.** Kontakt s vodičem pod proudem bude mít za následek rozvedení proudu do nechráněných kovových částí elektrického nářadí a může způsobit obsluhu úraz elektrickým proudem.
- f) **Při rozřezávání používejte vždy podélné vodítko nebo rovné hranové vodítko.** To zlepšuje přesnost řezu a snižuje možnost uvíznutí pilového kotouče.
- g) **Vždy používejte pilové kotouče správné velikosti a tvaru (diamantové versus kulaté) upínacích otvorů.** Pilové kotouče, které neodpovídají montážním prvkům pily, budou nevyvážené, což povede ke ztrátě kontroly.
- h) **Nikdy nepoužívejte poškozené nebo nesprávné podložky nebo šrouby kotouče.** Podložky kotouče a šroub byly speciálně navrženy pro vaši pilu, pro optimální výkon a bezpečnost provozu.

Příčiny zpětného rázu a související varování

- zpětný ráz je náhlá reakce na zachycení, zaseknutí nebo nevyrovnaný pilový kotouč, což způsobí, že

se pila nekontrolovaně zvedne a vysune z obrobku směrem k obsluze;

- když dojde k zachycení nebo pevnému zaseknutí kotouče zavírající se řeznou spárou, kotouč se zastaví a reakce motoru způsobí, že se nářadí prudce vrátí zpět k obsluze;
- pokud se kotouč v řezu zkrátí nebo bude nevyvážený, zuby na zadním okraji kotouče se mohou zarýt do horního povrchu dřeva, což způsobí, že kotouč vyleze ze zářezu a skočí zpět k obsluze.

Zpětný ráz je důsledkem nesprávného použití pily anebo nevhodného pracovního postupu či nevhodných podmínek a lze mu předejít přijetím následujících opatření:

- a) **Nářadí držte pevně a tělem a rameny zaujměte takový postoj, abyste odolali síle zpětného rázu. Umístěte své tělo po stranách kotouče, a ne v linii s kotoučem.** Zpětný ráz by mohl způsobit skok pily vzad, ale síly zpětného rázu mohou být ovládnány operátorem, pokud jsou přijata příslušná opatření.
- b) **Když se kotouč zasekne, nebo když z jakéhokoli důvodu řez přerušíte, uvolněte spouštěcí tlačítko a držte pilu nehybně v materiálu, dokud se kotouč zcela nezastaví. Nikdy se nepokoušejte vyjmout pilu z obrobku a nevytahujte pilu směrem dozadu, když je kotouč v pohybu nebo může dojít ke zpětnému rázu.** Najděte příčinu a proveďte nápravná opatření k odstranění příčiny uvíznutí kotouče.
- c) **Pokud chcete znovu spustit pilu v obrobku, vycentrujte pilový kotouč v řezu tak, aby zuby pily nezabíraly do materiálu.** Pokud se pilový kotouč zasekne, může se při opětovném spuštění pily zvednout nebo způsobit zpětný ráz od obrobku.
- d) **Velké panely podepřete, abyste minimalizovali riziko skřípnutí kotouče a zpětného rázu.** Velké panely mají tendenci klesat pod vlastní vahou. Podpěry je třeba umístit pod panel na obou stranách, v blízkosti linie řezu a poblíž okraje panelu.
- e) **Nepoužívejte tupé nebo poškozené kotouče.** Nenabroušené nebo nesprávně nastavené kotouče vytvářejí úzký zářez, který způsobuje nadměrné tření, zaklínění kotouče a zpětný ráz.
- f) **Před prováděním řezu musí být zajišťovací páčky pro nastavení hloubky kotouče a úkosu nastaveny pevně a bezpečně.** Pokud se nastavení kotouče při řezání posune, může dojít k uvíznutí a zpětnému rázu.
- g) **Při řezání od stávajících zdí nebo jiných nepřehledných oblastí dbejte zvýšené opatrnosti.** Pronikající kotouč se může zařiznout do předmětů, které mohou způsobit zpětný ráz.

Funkce spodního krytu

- a) **Před každým použitím zkontrolujte, zda se spodní kryt správně zavírá. Nepoužívejte pilu, pokud se spodní kryt nepohybuje volně a okamžitě se nezavře. Nikdy neupínejte ani nepřivazujte spodní kryt do otevřené polohy.** Pokud dojde k náhodnému pádu pily, může dojít k ohnutí spodního krytu. Zvedněte spodní kryt zasouvací rukojetí a ujistěte se, že se volně pohybuje a nedotýká se kotouče ani jiné části, a to v žádném úhlu ani hloubce řezu.
- b) **Zkontrolujte funkci pružiny spodního krytu.**

Pokud kryt a pružina nepracují správně, je třeba je před použitím opravit. Spodní kryt se může pohybovat pomalu kvůli poškozeným částem, gumovým usazeninám nebo nahromaděným nečistotám.

- c) **Spodní kryt lze ručně zasunout pouze pro řezání speciálních řezů, jako jsou „ponorné řezy“ a „složené řezy“.** Zvedněte spodní ochranný kryt zasouvací rukojeti a jакmile kotouč vstoupí do materiálu, je třeba spodní kryt uvolnit. U všech ostatních řezů by měl spodní kryt pracovat automaticky.
- d) **Před položením pily na ponk nebo na podlahu vždy dbejte na to, aby spodní kryt zakrýval kotouč.** Nechráněný, dojíždějící kotouč způsobí, že se pila bude posouvat dozadu a rozřeže vše, co jí stojí v cestě. Je třeba mít na paměti, jak dlouho trvá, než se kotouč po uvolnění spínače zastaví.

DOPLŇKOVÁ BEZPEČNOSTNÍ UPOZORNĚNÍ

OBECNĚ

- Tento nástroj nesmí používat osoby mladší 16 let
- Nářadí není vhodné k řezání vlhka
- **Nepracovávajte žádný materiál obsahující azbest (azbest je považován za karcinogenní)**
- Prach z materiálu, jako jsou barvy obsahující olovo, některé druhy dřeva, minerály a kovy, může být škodlivý (kontakt s prachem nebo jeho vdechnutí může způsobit alergickou reakci a/nebo vyvolat respirační choroby u obsluhy nebo přihlížejících); **používejte protiprachovou masku a pracujte se zařízením na odsávání prachu, pokud je možné jej připojit**
- Některé druhy prachu jsou klasifikovány jako karcinogenní (například dubový a bukový prach) zejména ve spojení s aditivy pro úpravu dřeva; **používejte protiprachovou masku a pracujte se zařízením na odsávání prachu, pokud je možné jej připojit**
- Dodržujte stanovená nařízení pro práci v prášném prostředí
- Tuto pilu nepoužívejte v kombinaci se stolem
- Před nastavením nebo výměnou příslušenství vždy vytáhněte akumulátor

PŘÍSLUŠENSTVÍ

- SKIL zajistí bezvadnou funkci nářadí pouze tehdy, používáte-li původní značkové
- Používejte pouze pilové kotouče, jež odpovídají charakteristickým údajům uvedeným v tomto návodu k obsluze a jsou zkoušeny podle EN 847-1, pokud jsou určeny pro dřevo a dřevu podobné materiály.
- Používejte pouze příslušenství, jejichž dovolené otáčky jsou alespoň tak vysoké jako nejvyšší otáčky stroje naprázdno
- **Use only saw blades/cut-off wheels with a minimum diameter of 115 mm, a maximum diameter of 120 mm and a spindle hole of 9.5 mm**
- Nikdy nepoužívejte brusné kotouče s tímto nářadím
- S příslušenstvím zacházejte a skladujte jej opatrně
- Určete správný pilový kotouč, který se má použít pro řezání materiál.

PŘED POUŽITÍM

- Vrtačku nepoužívejte je-li navlhla a nepracuje v blízkosti snadno zápalných nebo výbušných materiálů; před zahájením práce je odstraňte
- Před začátkem řezání odstraňte z řezané dráhy všechny překážky jak nahoře tak vedle obrobku
- **Zajistěte obráběný díl** (obráběný díl uchycený

pomocí upínacích zařízení nebo ve svěráku je mnohem bezpečnější než v ruce)

- **Použijte vhodné hledací přístroje k vyhledání skrytých přírodních vedení nebo přivězte místní dodavatelskou společnost** (kontakt s elektrickým vedením může vést k požáru a elektrickému úderu; poškození plynového vedení může vést k explozi; proniknutí do vodovodního potrubí může způsobit věcné škody nebo elektrický úder)

BĚHEM POUŽITÍ

- Hladina hluku může při práci přesáhnout 85 dB(A); vhodným prostředkem si chráňte uši
- Nikdy nepoužívejte nářadí bez originálního chrániče
- Nezkoušejte řezat extrémně malé výrobky
- S nářadím nepracujte nad hlavou
- V případě atypického chování nebo cizích hluků nářadí ihned vypněte a vyjměte akumulátor.

PO POUŽITÍ

- Když nářadí odkládáte, vypněte motor a zajistěte, aby se všechny pohyblivé části zcela zastavily
- Po vypnutí nářadí nikdy nepřibrzdíte pilový kotouč tlakem ze strany

AKUMULÁTORY

- Dodávaný akumulátor je částečně nabitý (v zájmu zajištění maximální kapacity akumulátoru jej před prvním použitím vašeho elektrického nářadí úplně dobijte v nabíječce)
- Používejte pouze následující akumulátory a nabíječky dodávané s tímto nástrojem
 - Akumulátor SKIL: BR1*31****
 - Nabíječka SKIL: CR1*31****
- Poškozený akumulátor nepoužívejte, nahraďte jej novým
- Akumulátor nerozebírejte
- Nevystavujte nástroj/akumulátor dešti
- Povolená teplota prostředí (nářadí/nabíječka/akumulátor):
 - při nabíjení 4 až 40 °C
 - při provozu - 20 až + 50 °C
 - při skladování - 20 až + 50 °C

VYSVĚTLENÍ SYMBOLŮ NA NÁSTROJI/BATERII

- 3 Před použitím si přečtěte návod k použití
- 4 Akumulátory při vhození do ohně explodují, proto je nikdy nevhazujte do otevřeného plamene
- 5 Nářadí/nabíječku/akumulátor ukládejte na vhodném, suchém a zajištěném místě, v prostorách s teplotou maximálně 50 °C
- 6 Nevyhazujte elektrické nářadí a akumulátory do komunálního odpadu

OBSLUHA

- Nabíjení akumulátorů
 - ! přečtěte si bezpečnostní upozornění a pokyny, které byly dodány spolu s nabíječkou
- Odstranění/instalace akumulátoru ②
- Indikátor nabití akumulátoru ⑦
 - stiskněte tlačítko indikátoru akumulátoru AB, aby ukázalo aktuální úroveň nabití ⑦
- ! na nejnižší úrovni nabití začne kontrolka nabití po stisknutí tlačítka AB ⑦b blikat, akumulátor je vybitý
- ! když po stisknutí tlačítka AB ⑦c začnou blikat 2 pole ukazatele, znamená to, že se akumulátor nachází mimo povolený rozsah pracovní teploty
- LED světlo ⑧
 - LED světlo se automaticky rozsvítí, když se nástroj

rozběhne

! když LED světlo začne blikat, aktivuje se ochrana akumulátoru (viz níže)

- **Ochrana akumulátoru**
Nářadí se najednou vypne nebo mu je zabráněno v zapnutí, když
 - **je zátěž příliš vysoká** -> odstraňte zátěž a proveďte restart
 - **teplota akumulátoru není v rozsahu přípustných provozních teplot - 20 až + 50 ° C** --> 2 úrovně indikátoru akumulátoru začnou blikat po stisknutí tlačítka AB 7c; počkejte, dokud se akumulátor nevrátí do rozsahu přípustných provozních teplot
 - **akumulátor je téměř vybitý (ochrana před přílišným vybitím)** --> při stisknutí tlačítka AB indikátor akumulátoru zobrazí nízkou úroveň baterie nebo blikající nízkou úroveň akumulátoru ub; vyměňte akumulátor
- **! po automatickém vypnutí nástroje netiskněte vypínač; mohlo by dojít k poškození akumulátoru**
- **Montáž pilového kotouče** ②
 - **! vytáhněte akumulátor z nářadí**
 - vezměte šestihřanný klíč A z úložišť B
 - stiskněte demontovací tlačítko vřetene F a přidržujte jej během demontování šroubu kotouče AA otáčením klíče kotouče PO SMĚRU HODINOVÝCH RUČÍČEK (= stejným směrem, kterým ukazuje šípka na pilovém kotouči)
 - **! blokovací tlačítko vřetene F stlače pouze tehdy, když je nářadí v klidu**
 - uvolněte blokovací tlačítko vřetene F
 - odstraňte přírubu Z
 - **! zajistěte, že povrchy přírub jsou naprosto čisté a že přiléhají na pilový kotouč**
 - otevřete spodní ochranný W stlačením páky S a držte ji, zatímco namontujete pilový kotouč tak, že zuby pily a šípka natištěná na pilovém kotouči směřují stejným směrem jako šípka na vrchním krytu
 - uvolněte spodní ochranný kryt W
 - nasadte přírubu Z
 - zatlačte blokovací tlačítko vřetene F a podržte ho, zatímco prstem utáhnete šroub upevnění pilového kotouče šestihřanným klíčem o 1/8 otáčky (je zajištěno prokluzování pilového kotouče, při setkání s nadměrným odporem a tak snížení přetížení motoru a zpětného rázu)
 - **! uvolněte blokovací tlačítko vřetene F**
 - **Nastavení hloubky řezu (0 - 41 mm)** ⑨
 - pro optimální kvalitu řezu by pilový kotouč neměl zasahovat více než 3 mm pod obrobek
 - uvolněte knoflík Q
 - vytáhněte/snížte patu M až do požadované hloubky řezu vyznačeného na stupnici pomocí indikátoru P
 - utáhněte knoflík Q
 - **Nastavení úhlu řezu (0 - 45 °)** ⑩
 - uvolněte knoflík U
 - nakloňte nářadí až do požadovaného úhlu řezu vyznačeného na stupnici pomocí indikátoru V
 - utáhněte knoflík U
 - **! v případě úhlového řezání nesouhlasí skutečná hloubka řezu s hloubkou řezu uvedenou na stupnici**
 - **Indikátor trasy řezu L** ⑪

- pro přesné vedení nářadí po obrobku v požadovaném směru
- pro přímý řez 0 ° nebo zkosený řez 45 ° použijte příslušnou indikační čáru
- **! široká část paty musí spočívat na podepřené části obrobku**
- **! šířka řezu je dána šířkou rozvedení zubů kotouče, nikoliv jeho tloušťkou**
- **! vždy proveďte nejdříve zkušební řez pro ověření skutečné linie řezu**
- **Odsávání prachu** ⑫
 - Při použití odsávání
 - připojte hadici vysavače k adaptéru vysavače H
 - **! dbejte, aby hadice vysavače při řezání nepřekážela spodnímu chrániči a obsluze nářadí**
 - **! nepoužívejte vysavač při řezání kovu**
- **Použití nástroje**
 - montáž akumulátoru
 - vždy pevně držte rukojeť C
 - umístěte nářadí přední hranou paty na obrobek
 - **! ujistěte se, že zuby pilového kotouče nejsou zaseknuty do obrobku**
 - spusťte nářadí nejdříve stisknutím tlačítka E (= bezpečnostní spínač, který nemůže být zaaretován) a poté stisknutím spouště
 - **! nářadí má běžet na plný výkon před vniknutím do obrobku**
 - pronikáním pilového kotouče do obrobku se automaticky otevírá spodní chránič W (použitím páky S můžete otevřít spodní chránič ručně - pouze pro speciální řezání, např. ponorné řezání)
 - **! na nástroj netlačte příliš (tlačte na něj zlehka a plynule, abyste zamezili přehřívání hrotů kotouče)**
 - **! při práci vždy držte nářadí v oblasti rukojeti**
 - po dokončení řezu vypněte nástroj uvolněním spouště D
 - **! před vyjmutím nářadí z obrobku nejdříve počkejte na úplné zastavení pilového kotouče**

NÁVOD K POUŽITÍ

- Vždy směřujte dobrou stranou obrobku dolů, abyste zajistili minimální odštěpování při řezání dřeva a dřevu podobných materiálů.
- Výkon řezání a kvalita řezu závisí především na stavu a počtu zubů pilového kotouče.
- Používejte pouze ostré pilové kotouče, které jsou vhodné pro řezaný materiál ⑬
 - pilový kotouč z tvrdné oceli AC ② použijte tehdy, hodláte-li řezat dřevo, hliník, plastové hmoty nebo různé druhy lepeného vrstveného dřeva
 - diamantový kotouč AD ② použijte tehdy, hodláte-li řezat keramiku nebo dlažbu
 - pilové kotouče z tvrdých kovů Y ② mají až 30 krát delší životnost než běžné pilové kotouče
- **Paralelní doraz J** ⑭
 - k provádění přesných řezů podél hrany obrobku
 - vložte skrz štěrbinu na předním konci patky
 - Nastavení paralelního dorazu
 - uvolněte šroub K pomocí šestihřanného klíče A
 - nastavte na požadovanou šířku řezání použitím stupnice paralelního dorazu (použijte indikátor trasy řezu L jako 0-vodítko)

- utáhněte šroub K
- Zapichovací řezání¹⁵
 - nastavte požadovanou hloubku řezu
 - naklánejte nástroj dopředu tak, aby indikátor trasy řezu L byl zarovnan s požadovanou linií řezu vyznačenou na řezaném předmětu
 - otevřete spodní ochranný kryt pily W stlačením páky S
 - těsně před vniknutím kotouče do obrobku spusťte nářadí a pozvolně snižujte zadní část paty použitím přední hrany paty jako pantu
 - neustále pohybujte nářadím směrem dolů a vpřed
 - jakmile pilový kotouč materiál nařízne, můžete uvolnit páku
- ! nikdy neved'te nářadí ve zpátečním směru
- Řezání velkých panelů¹⁶
 - podepřete panel v blízkosti řezu buď na podlaze, stole nebo pracovním stole
- ! nastavte hloubku řezu tak, aby umožňovala prořezání pouze panelu, nikoliv podložky
 - v případě, že paralelní vodítko neumožňuje požadovanou šířku řezu, upněte nebo přibijte rovný kus dřeva k obrobku jako vodítko a použijte levou stranu patky proti tomuto vodítku¹⁷
- Další informace najdete na www.skil.com

ÚDRŽBA / SERVIS

- Tento nástroj není určen k profesionálnímu použití
- Nástroj udržujte vždy čistý (zejména větrací štěrbiny N)
- ! před montáží vyjměte z nářadí akumulátor
- Prostor kolem spodního ochranného krytu W² vždy udržujte v čistotě (odstraňte prach a třísky vyfoukáním stlačeným vzduchem nebo kartáčem)
- Pilové kotouče čistěte okamžitě po jejich použití (především od pryskyřice a lepidla)
- Pokud dojde i přes pečlivou výrobu a náročné kontroly k poruše nástroje, svěřte provedení opravy autorizovanému servisnímu středisku pro elektronářadí firmy SKIL
 - zašlete nástroj nerozebraný spolu s potvrzením o nákupu do vaší prodejny nebo nejbližšímu servisu značky SKIL (adresy a servisní schéma nástroje najdete na www.skil.com)
- Uvědomte si, že na poškození způsobené přetížením nebo nesprávným zacházením se nevztahuje záruka (záruční podmínky společnosti SKIL najdete na adrese www.skil.com nebo se obraťte na prodejce)

ŽIVOTNÍ PROSTŘEDÍ

- Elektrické nářadí, baterie, doplňky a balení nevyhazujte do komunálního odpadu (jen pro státy EU)
 - podle evropské směrnice 2012/19/ES o nakládání s použitými elektrickými a elektronickými zařízeními a odpovídajících ustanovení právních předpisů jednotlivých zemí se použitá elektrická nářadí, musí sbírat odděleně od ostatního odpadu a podrobit ekologicky šetrnému recyklování
 - na nutnost příslušného nakládání s odpadem upozorňuje symbol⁶
- ! u vyřazených akumulátorů zakryjte kontakty izolační páskou, zabráníte tím plazivým proudům

HLUČNOST / VIBRACE

- Při měření v souladu s normou EN 62841 je hladina akustického tlaku tohoto nářadí 96 dB(A) a hladina akustického výkonu 107 dB(A) (nepřesnost K = 3 dB) a vibrace⁷ (celkové hodnoty vibrací; nepřesnost K = 1,5 m/s²)
 - * řezání dřeva < 2,5 m/s²
 - * řezání kovu < 2,5 m/s²
- Úroveň vibrací byla měřena v souladu se standardizovaným testem podle EN 62841; je možné ji použít ke srovnání jednoho přístroje s druhým a jako předběžné posouzení vystavování se vibracím při používání přístroje k uvedeným aplikacím
 - používání nářadí k jiným aplikacím nebo s jiným či špatně udržovaným příslušenstvím může zásadně zvýšit úroveň vystavení se vibracím
 - doba, kdy je nářadí vypnuté, nebo když běží, ale ve skutečnosti není používáno, může zásadně snížit úroveň vystavení se vibracím
- ! chráňte se před následky vibrací tak, že budete dbát na údržbu přístroje a příslušenství, budete si udržovat teplé ruce a uspořádáte si své pracovní postupy

TR

Firçasız kompakt çoklu testere

3540

GİRİŞ

- Bu alet tahta, sunta, kontrplak, alüminyum, fayans, taş, plastik ve hafif yapı malzemelerinin düz kesimli ve 45 dereceye kadar açılı kesimli olarak uzunlamasına ve enine kesme işlemleri için tasarlanmıştır.
- Bu alet profesyonel kullanıma yönelik değildir.
- Bu kullanımı kalıvuzunu okuyun ve saklayın!³

TEKNİK VERİLER¹

ALETİN PARÇALARI²

- A Alyan anahtarı
- B Alyan anahtarı bölmesi
- C Tutma kolu
- D Tetik
- E Emniyet anahtarı
- F Mil kilitleme düğmesi
- G Toz emme ağız
- H Süpürge adaptörü
- J Paralel kilavuz
- K Paralel kilavuz ayar vidası
- L Kesim çizgisi göstergesi
- M Ayak plakası
- N Havalandırma delikleri
- P Kesme derinliği göstergesi
- Q Kesme derinliği ayar topuzu
- R Üst muhafaza
- S Alt muhafazayı açma kolu
- T LED ışık
- U Kesme açısı ayar topuzu
- V Kesme açısı göstergesi
- W Alt muhafaza

- X Sıkıştırma yüzeyi
- Y Karbür uçlu testere bıçağı
- Z Flanş
- AA Bıçak civatası
- AB Batarya seviyesi göstergesi düğmesi
- AC Sertleştirilmiş çelik testere bıçağı
- AD Elmas disk

SAFETY

GENERAL POWER TOOL SAFETY WARNINGS

⚠ WARNING Read all safety warnings, instructions, illustrations and specifications provided with this power tool. Failure to follow all instructions listed below may result in electric shock, fire and/or serious injury.

Save all warnings and instructions for future reference.

The term "power tool" in the warnings refers to your mainsoperated (corded) power tool or battery-operated (cordless) power tool.

1) ÇALIŞMA ALANI GÜVENLİĞİ

- a) Çalışma alanını temiz tutun ve yeterli aydınlatma sağlayın. Karışık veya karanlık alanlar kazalara yol açar.
- b) Elektrikli aletleri yanıcı sıvı, gaz veya toz içeren patlayıcı ortamlarda çalıştırmayın. Elektrikli aletlerden çıkan kıvılcımlar toz veya gazları tutuşturabilir.
- c) Bir elektrikli aleti kullanırken çocukların ve etraftaki kişilerin aletten uzakta olduğundan emin olun. Dikkatinizin dağılması kontrolü kaybetmenize neden olabilir.

2) ELEKTRİK GÜVENLİĞİ

- a) Elektrikli aletin fişi prize uygun olmalıdır. Fiş üzerinde asla değişiklik yapmayın. Topraklı (topraklamalı) elektrikli aletler için herhangi bir adaptör fişi kullanmayın. Üzerinde değişiklik yapılmamış fişler ve uygun prizler elektrik çarpması riskini azaltır.
 - b) Borular, radyatörler, fırınlar ve buzdolapları gibi topraklanmış yüzeylerle temastan kaçının. Topraklanmış yerlerle temas etmeniz halinde elektrik çarpması riski artar.
 - c) Elektrikli aletleri yağmura veya ıslak ortamlara maruz bırakmayın. Elektrikli alet içine giren su, elektrik çarpması riskini artırır.
 - d) Kabloyu hatalı kullanmayın. Kabloyu elektrikli aleti taşımak, çekmek veya prizden çıkarmak için kullanmayın. Kabloyu sıcağın, yağdan, keskin kenarlardan veya hareketli parçalardan uzak tutun. Hasarlı veya birbirine dolaşmış kablolar elektrik çarpması riskini artırır.
 - e) Bir elektrikli aleti açık havada kullanırken, uygun bir dış mekan uzatma kablosu kullanın. Dış mekan için uygun bir kablunun kullanılması elektrik çarpması riskini azaltır.
 - f) Elektrikli aletin nemli bir yerde çalıştırılması gerekiyorsa kaçak akım rölesi (RCD) korumalı bir kaynak kullanın. RCD (kaçak akım rölesi) kullanımı elektrik çarpması riskini azaltır.
- #### 3) KİŞİSEL GÜVENLİK
- a) Elektrikli aletleri kullanırken daima dikkatli olun,

yaptığınız işe yoğunlaşın ve sağduyulu davranın. Elektrikli aleti yorgunken ya da uyuşturucu, alkol ya da ilaç etkisi altındayken kullanmayın. Elektrikli aletleri kullanırken bir anlık dikkatsizlik ciddi yaralanmalara yol açabilir.

- b) Kişisel koruyucu ekipman kullanın. Daima koruyucu gözlük takın. Koşullara uygun toz maskesi, kaymaz emniyet ayakkabıları, kask veya işitme koruması gibi koruyucu ekipman kullanılması yaralanmaları azaltır.
 - c) Yanlışlıkla çalıştırmaktan kaçının. Aletin güç kaynağı ve/veya batarya ile bağlantısını yapmadan, kaldırmadan veya taşımadan önce açma/kapatma düğmesinin kapalı olduğundan emin olun. Elektrikli aletleri, parmağınızı açma/kapatma düğmesinin üzerindeki taşımacı veya alet açıklık fişi prize takmak kazalara davetiye çıkarır.
 - d) Elektrikli alete takılı herhangi bir alyan veya anahtar varsa aleti çalıştırmadan önce bunları çıkarın. Elektrikli aletin dönen bir parçasına takılı bir alyan veya anahtar yaralanmalara neden olabilir.
 - e) Dengesiz bir duruşla çalışma yapmayın. Çalışma süresince ayaklarınızı sağlam basın ve dengeyi koruyun. Bu sayede beklenmedik durumlarda elektrikli alet daha iyi kontrol edilebilir.
 - f) Saçlarınızı ve elbiselerinizi hareketli parçalardan uzak tutun. Bol giysiler, takılar veya uzun saçlar hareketli parçalara takılabilir.
 - g) Toz emme ve toplama araçlarının bağlantısı için sağlanan cihazlar varsa bunların takılı olduğundan ve düzgün bir biçimde kullanıldığınından emin olun. Toz toplama araçlarının kullanımı tozdan kaynaklanabilecek tehlikeleri azaltabilir.
 - h) Aletleri sık kullanarak edindiğiniz alışkanlık rahat olmanıza ve aletin güvenlik ilkelerini göz ardı etmenize neden olmamalıdır. Dikkatsiz bir hareket, bir saniyeden daha kısa bir sürede ağır yaralanmalara neden olabilir.
- #### 4) ELEKTRİKLİ ALET KULLANIMI VE BAKIMI
- a) Elektrikli aleti zorlamayın. Yaptığınız işe uygun elektrikli aleti kullanın. Doğru elektrikli alet, tasarımına uygun değerlerde kullanıldığında daha iyi ve daha güvenli çalışır.
 - b) Açma/kapatma düğmesi çalışmıyorsa elektrikli aleti kullanmayın. Açma/kapatma düğmesi ile kontrol edilemeyen bir elektrikli alet tehlikelidir ve onarılması gerekir.
 - c) Herhangi bir ayar işlemi, aksesuar değişimi veya elektrikli aletlerin saklanması öncesinde fişi prizden çekin ve/veya eğer çıkarılabiliyorsa bataryayı elektrikli aletten çıkarın. Bu tür önleyici güvenlik önlemleri, elektrikli aletin yanlışlıkla çalışması riskini azaltır.
 - d) Kullanılmayan elektrikli aletleri çocukların erişemeyeceği yerlerde saklayın ve elektrikli alet veya bu talimatlar hakkında bilgi sahibi olmayan kişilerin elektrikli aleti kullanmasına izin vermeyin. Elektrikli aletler eğitimsiz kullanıcıların elinde tehlikelidir.
 - e) Elektrikli aletlere ve aksesuarlara bakım yapın. Hareketli parçaların kullanılmasını veya bağlanmasının doğru yapıp yapılmadığını, parçalarda hasar olup olmadığını ve elektrikli aletin çalışmasını etkileyecek tüm diğer koşulları kontrol edin. Elektrikli alet hasarlı ise kullanmadan

önce onarılmasını sağlayın. Kazaların çoğu, elektrikli alet bakımının yeterli şekilde yapılmamasından kaynaklanır.

- f) **Kesici aletleri keskin ve temiz tutun.** Keskin kesim kenarlarına sahip, bakımı düzgün yapılmış kesim aletleri daha az sorun çıkarır ve kontrolü kolaydır.
- g) **Elektrikli aleti, aksesuarlarını ve alet uçlarını vb. çalışma şartlarını ve yapılacak işi dikkate alarak bu talimatlara uygun şekilde kullanın.** Elektrikli aletin kullanım amacı dışındaki işlerde kullanılması tehlikeli durumlara neden olabilir.
- h) **Tutma saplarını ve kavrama yüzeylerini kuru, temiz, benzin ve yağdan uzak tutun.** Kaygan saplar ve kavrama yüzeyleri, aletin beklenmeyen durumlarda güvenli bir şekilde tutulmasına ve kontrol edilmesine izin vermez.
- 5) **BATARYA İLE ÇALIŞAN ALETLERİNİN KULLANIMI VE BAKIMI**
 - a) **Sadece üretici tarafından belirtilen şarj cihazı ile şarj edin.** Bir batarya türü için uygun olan şarj cihazı, başka bir batarya ile kullanıldığında yangın riski oluşturabilir.
 - b) **Elektrikli aletleri sadece özel olarak üretilmiş bataryalarla kullanın.** Başka batarya türlerinin kullanımı yarananma ve yangın tehlikesi oluşturabilir.
 - c) **Bataryanın kullanımında olmadığında durumlarda bataryayı atış, bozuk para, anahtar, çivi, vida veya batarya kutupları arasında kısa devre yapabilecek diğer metal nesnelere uzak tutun.** Batarya kutuplarının kısa devre yapılması yangın veya yanıklara neden olabilir.
 - d) **Kötü şartlar altında bataryadan sıvı akışı olabilir; bu sıvı ile temas etmekten kaçının. Yanlışlıkla temas edilirse etkilenen bölgeyi su ile yıkayın. Sıvı göze temas ederse ayrıca tıbbi yardım alın.** Bataryadan akan sıvı tahriş veya yanıklara neden olabilir.
 - e) **Hasarlı veya üzerinde değişiklik yapılmış bir bataryayı veya aleti kullanmayın.** Hasarlı veya üzerinde değişiklik yapılmış bataryalar yangın, patlama veya yarananma riskine neden olacak şekilde beklenmeyen davranışlar gösterebilir.
 - f) **Bataryayı veya aleti ateşe veya aşırı sıcaklıklara maruz bırakmayın.** Ateşe veya 130 °C'nin üzerindeki sıcaklıklara maruz kalması patlamaya neden olabilir.
 - g) **Tüm şarj talimatlarına uyun ve bataryayı veya aleti talimatlarda belirtilen sıcaklık aralığının dışındaki sıcaklıklarda şarj etmeyin.** Hatalı veya belirtilen sıcaklık aralığının dışındaki sıcaklıklarda şarj etmek, bataryaya zarar verebilir ve yangın riskini artırır.
- 6) **SERVİS**
 - a) **Elektrikli aletinizin bakımını, sadece orijinal yedek parça kullanan yetkili bir tamirciye yaptırın.** Bu sayede elektrikli aletin emniyetinin korunmasını sağlarsınız.
 - b) **Asla hasarlı bataryalara bakım-onarım yapmayın.** Bataryaların bakımı sadece üretici veya yetkili servisler tarafından yapılmalıdır.

DAİRE TESTERELER İÇİN GÜVENLİK TALİMATLARI

Kesme prosedürleri

- a) **TEHLİKE: Ellerinizi kesim alanından ve bıçaktan uzak tutun.** Testereyi her iki elinizde de tutarsanız bıçak

tarafından kesilemezler.

- b) **İş parçasının altına uzanmayın.** Muhafaza, iş parçasının altındaki bıçaktan sizi koruyamaz.
- c) **Kesme derinliğini iş parçasının kalınlığına göre ayarlayın.** Bıçak dişlerinin tam dışından daha azı iş parçasının altında görünmelidir.
- d) **Kesim sırasında iş parçasını asla elinizde veya bacaklarınızın arasında tutmayın. İş parçasını sabit bir platformda sabitleyin.** Vücutun maruz kalmasını, bıçak bağlantısını veya kontrol kaybını en aza indirmek için çalışmayı doğru bir şekilde desteklemek önemlidir.
- e) **Kesim aletinin görünmeyen kablolar ile temas edebileceği çalışma şartlarında elektrikli aleti izolasyonlu tutma yüzeylerinden tutun.** "Elektrikli" bir kabloya temas etmek, elektrikli aletin metal kısımlarının da "elektrikli" yapabilir ve çalışan kişinin çarpmasına neden olabilir.
- f) **Yarma yaparken daima bir yarma koruması veya düz kenar kılavuzu kullanın.** Bu kesim doğruluğunu artırır ve bıçağın tutukluk yapma olasılığını azaltır.
- g) **Daima çark delikleri doğru boyutta ve şekilde (yuvarlak yerine elmas şekilli) olan bıçakları kullanın.** Testerenin montaj donanımıyla uyumlayan bıçaklar, merkezden uzaklaşarak kontrol kaybına neden olur.
- h) **Asla hasarlı veya yanlış bıçak rondelaları veya civataları kullanmayın.** En iyi performans ve çalışma güvenliği için bıçak rondelaları ve civatalar testereniz için özel olarak tasarlanmıştır.

Geri tepme sebepleri ve ilgili uyarılar

- Geri tepme, sıkışmış ya da yanlış hizalanmış testere bıçağının ani bir tepkimesi olup, kontrolsüz bir testerenin iş parçasını operatöre doğru yukarı ve dışarı kaldırmasına neden olur.
 - Bıçak, kesim kalınlının kapanmasıyla sıkı bir şekilde sıkıştığı veya sıkıca tutulduğunda, bıçak tezgahları ve motor tepkimesi, üniteyi operatöre doğru hızla geri döndürür.
 - Bıçak bükülürse veya kesinin içinde yanlış hizalanmışsa bıçağın arka kenarındaki dişler ahşabın üst yüzeyine girebilir ve bıçağın kesim kanalından dışarı çıkmasına ve tekrar operatöre doğru sıçramasına neden olabilir.
- Geri tepme, testerenin yanlış kullanılmasının ve/veya yanlış çalıştırma prosedür veya koşullarının bir sonucudur ve aşağıdaki önlemlerin alınması ile önlenebilir.

- a) **Testereyi sıkıca kavrayın ve kollarınızı geri tepme kuvvetlerine dayanacak şekilde konumlandırın. Vücudunuzu bıçağın her iki tarafına yerleştirin, ancak bıçakla aynı hizaya getirmeyin.** Geri tepme testerenin geriye doğru sıçramasına neden olabilir, ancak uygun önlemler alındığında geri tepme kuvvetleri operatör tarafından kontrol edilebilir.
- b) **Bıçak tutukluk yaptığında veya herhangi bir sebeple kesme kesintiye uğradığında, detiği bırakın ve testere bıçağı tamamen duruncaya kadar malmazede hareketsiz tutun. Testere bıçağı hareket halindeyken veya geri tepme meydana gelebilecekken asla testereyi iş parçasından çıkarmaya veya testereyi geriye doğru çekmeye çalışmayın.** Bıçağın tutukluk yapma nedenini giderme

yollarını araştırın ve düzeltici önlemler alın.

- c) **İş parçasındaki bir testereyi yeniden çalıştırırken testere bıçağını kesim kanalında ortalarak testere dişlerinin malzemeye geçip geçmediğini kontrol edin.** Testere bıçağı tutukluk yaparsa testere yeniden çalıştırıldığında iş parçasından yukarı doğru veya geri tepebilir.
- d) **Bıçak sıkışması ve geri tepme riskini en aza indirmek için büyük panelleri destekleyin.** Büyük paneller kendi ağırlıkları altında sarkma eğilimindedir. Destekler panelin her iki tarafında, kesim hattının yakınında ve panelin kenarına yakın bir yere yerleştirilmelidir.
- e) **Körleşmiş veya hasarlı bıçaklar kullanmayın.** Keskin olmayan veya yanlış ayarlanmış bıçaklar, aşırı sürtünme, bıçak tutukluğu ve geri tepmeye neden olan dar kesim kanalları açarlar.
- f) **Kesim yapmadan önce bıçak derinliği ve eğim ayarı kilitleme kolları sıkı ve sabit olmalıdır.** Bıçak ayarı kesme sırasında kayıyorsa tutukluk ve geri tepmeye neden olabilir.
- g) **Mevcut duvarlara veya diğer kör alanlara doğru kesim yaparken çok dikkatli olun.** Çıktıntılı bıçak, geri tepmeye neden olabilecek nesnelere kesebilir.

Alt muhafaza işlevi

- a) **Her kullanımdan önce alt muhafazayı uygun şekilde kapatmak için kontrol edin. Alt muhafaza serbestçe hareket etmiyorsa ve aniden kapanıyorsa testereyi çalıştırmayın. Alt muhafazayı asla açık konuma kenetlemeyin veya bağlamayın.** Testere yanlışlıkla düşerse alt muhafaza bükülebilir. Alt muhafazayı geri çekme koluyla kaldırın ve serbestçe hareket ettiğinden ve tüm açılarda ve kesme derinliklerinde bıçağa veya herhangi bir parçaya temas etmediğinden emin olun.
- b) **Alt muhafaza yayının çalışmasını kontrol edin. Muhafaza ve yay düzgün çalışmıyorsa kullanımdan önce bakım yapılmalıdır.** Alt muhafaza, hasarlı parçalar, yapışkan tabakalar veya artık birikintileri nedeniyle yavaş çalışabilir.
- c) **Alt muhafaza, sadece “daldırmalı kesim” ve “bileşik kesim” gibi özel kesimler için manuel olarak geri çekilebilir. Tutma kolunu geri çekerek alt muhafazayı kaldırın, bıçak malzemeye girer girmez alt muhafaza serbest kalmalıdır.** Diğer tüm testere işleri için alt muhafaza otomatik olarak çalışmalıdır.
- d) **Testereyi yere veya tezgaha koymadan önce her zaman alt muhafazanın bıçağı kapladığından emin olun.** Korumasız ve yana yatan bir bıçak, testerenin geriye doğru gitmesine ve önüne çıkan her şeyi kesmesine neden olur. Anahtar serbest bırakıldıktan sonra bıçağın durması için belli bir süre geçmesi gerektiğini unutmayın.

EK GÜVENLİK UYARILARI

GENEL

- Bu alet 16 yaşın altındaki kişiler tarafından kullanılmamalıdır
- Bu alet sulu kesme işlerine uygun değildir
- **Bu aletle asbest içeren malzemeleri işlemeyin (asbest kanserojen bir madde kabul edilir)**

- Kurşun içeren boya, bazı ahşap türleri, mineral ve metal gibi malzemelerden çıkan toz zararlı olabilir (tozla temasta bulunulması veya solunması operatörde veya yakında bulunan kişilerde alerjik reaksiyonlara ve/veya solunum yolu hastalıklarına neden olabilir); **toz maskesi takın ve bağlanabiliyorsa bir toz çekme cihazıyla çalışın**
- Bazı toz tipleri (örneğin meşe ve kayın ağacı tozu), özellikle ahşap yenileme katkı maddeleriyle birlikte kansinojenik olarak sınıflandırılır; **toz maskesi takın ve bağlanabiliyorsa bir toz çekme cihazıyla çalışın**
- Çalışmak istediğiniz malzemeler için tozla ilgili ulusal gereksinimleri takip edin
- Bu testereyi bir testere tezgahı ile birlikte kullanmayın
- Herhangi bir ayarlama yapmadan ve aksesuarları değiştirmeden önce bataryayı aletten çıkarın

AKSESUARLAR

- SKIL sadece orijinal aksesuarlar kullanıldığında aletin düzgün çalışmasını garanti eder
- Ahşap ve ahşap benzeri malzemeler için tasarlanmış olan ve sadece bu kullanım kılavuzunda belirtilen tanıtım değerlerine uygun, EN 847-1'e göre test edilmiş ve buna uygun olarak işaretlenmiş testere bıçaklarını kullanın
- Bu aletle kullanacağınız aksesuar, devir sayısı en azından aletin boşta ki en yüksek devir sayısı kadar olmalıdır
- **Sadece minimum 115 mm, maksimum 120 mm çapa ve 9.5 mm mil deliğine sahip testere bıçakları/kesme diskleri kullanın**
- Bu aletle taşıma diskleri kullanmayın
- Aksesuarları dikkatli tutun ve saklayın
- Kesilecek malzeme için kullanılacak doğru testere bıçağını belirleyin.

KULLANMADAN ÖNCE

- İş parçasının vida, çivi ve benzeri malzeme tarafından hasar görmemesi için dikkatli olun; çalışmaya başlamadan önce bunları çıkarın
- Kesme işlemine başlamadan önce, kesme hattındaki ve üstündeki bütün engelleri uzaklaştırın
- **Çalıştığınız parçayı sabitleyin** (kıskaçlarla ya da mengeneyle sabitlemiş bir iş parçası elle tutulan iş parçasından daha güvenlidir)
- **Gizli elektrik kablolarını belirlemek için uygun bir tarama cihazı kullanın veya yardım için yerel elektrik şirketini arayın** (elektrik kablolarıyla temas, yangın çıkmasına veya elektrik çarpmalarına neden olabilir; bir gaz borusu hasar görürse patlama tehlikesi ortaya çıkar; bir su borusunun delinmesi halinde maddi hasarlar meydana gelebilir veya elektrik çarpma tehlikesi ortaya çıkabilir)

KULLANIM SIRASINDA

- Cihaz çalışırken gürültü seviyesi 85 dB(A) desibele kadar çıkabilir; kulak koruyucu kullanın
- Orijinal koruma tertibatı olmadan aleti asla kullanmayın
- Çok küçük iş parçalarını kesmeyi denemeyin
- Aleti başınızın üstünde tutarak çalışmayın
- Sıkışma veya elektriksel veya mekanik arıza durumunda, aleti derhal kapatın ve bataryayı çıkarın

KULLANIMDAN SONRA

- Aletinizi bırakıp gitmeden önce mutlaka kapatın ve döner parçaların tam olarak durmasını bekleyin
- Aleti kapatıktan sonra testere bıçağını yan taraftan bastırarak frenlemeyin
- **BATARYALAR**
- Ürünle birlikte verilen batarya kısmen şarj edilmiştir (bataryanın tam kapasiteyle çalışmasını sağlamak için elektrikli aletinizi ilk kez kullanmadan önce bataryayı,

- batarya şarj cihazında tamamen şarj edin
- Bu aletle sadece aşağıdaki bataryaları ve şarj cihazlarını kullanın
 - SKIL batarya: BR1*31****
 - SKIL şarj cihazı: CR1*31****
- Hasarlı bataryaları kullanmayın ve yenileyin
- Bataryayı parçalarına ayırmayın
- Aleti/bataryayı yağmura maruz bırakmayın
- İzin verilen ortam sıcaklığı (alet/şarj cihazı/batarya):
 - şarj olurken 4 ile 40 °C arasında
 - çalışırken -20 ile +50 °C arasında
 - depolanırken -20 ile +50 °C arasında

ALLET/BATARYA ÜZERİNDEKİ SİMGELERİN AÇIKLAMASI

- Kullanmadan önce kullanım kılavuzunu okuyun
- Ateşe atılan bataryalar patlayabilir, bu yüzden hiçbir nedenle bir bataryayı yakmayın
- Aleti, şarj cihazını ve bataryayı sıcaklığın 50 °C'yi aşmadığı yerlerde depolayın
- Do not dispose of electric tools and batteries together
Elektrikli aletleri ve bataryaları evsel atık malzemelerle birlikte çöpe atmayın!

KULLANIM

- Bataryanın şarj edilmesi
 - ! **şarj cihazı ile birlikte verilen güvenlik uyarıları ve talimatlarını okuyun**
- Bataryanın çıkarılması/takılması ②
- Batarya seviyesi göstergesi ⑦
 - mevcut batarya seviyesini ⑦'a görmek için batarya seviyesi düğmesine (AB) basın
 - ! **düğmeye (AB) bastıktan sonra batarya göstergesinin en alt seviyesi (⑦b) yanıp sönmeye başladığında batarya boşalmıştır**
 - ! **düğmeye (AB) bastıktan sonra batarya göstergesinin 2 seviyesi (⑦c) yanıp sönmeye başladığında batarya izin verilen çalışma sıcaklığı aralığında değildir**
- LED ışık (T) ⑧
 - Alet çalışmaya başladığında LED ışık otomatik olarak yanar
 - ! **LED ışık yanıp sönmeye başladığında batarya koruması devreye girer (aşağıya bakın)**
- Batarya koruması
 - Aşağıdaki durumlarda alet aniden kapanır veya tekrar çalıştırılmaz
 - **yük çok fazla olduğunda** -> yükü kaldırın ve yeniden çalıştırın
 - **batarya sıcaklığı, -20 ile +50 °C arasındaki izin verilen çalışma sıcaklığı aralığında olmadığına** -> AB düğmesine bastığınızda batarya seviyesi göstergesinin 2 seviyesi (7c) yanıp sönmeye başlar; batarya sıcaklığı izin verilen çalışma sıcaklığı aralığına dönene kadar bekleyin
 - **batarya bitmeye yakının (aşırı boşalmaya karşı korumak için)** -> AB düğmesine bastığınızda batarya seviyesi göstergesi tarafından düşük batarya seviyesi veya yanıp sönen düşük batarya seviyesi (ub) gösterilir
 - ! **alet otomatik olarak kapandıktan sonra açma/kapatma düğmesine basmayın; batarya hasar görülebilir**
- Testere bıçağı montajı ②
 - ! **bataryayı aletten çıkarın**
 - alyan anahtarını (A) saklama yerinden (B) alın

- mil kilitleme düğmesine (F) basılı tutup, bıçak cıvatasını (AA) alyan anahtarını (A) SAAT YÖNÜNDE çevirerek açın (= testere bıçağına basılı okla aynı yönde)
- ! **mil kilitleme düğmesine (F) yalnızca alet çalışmıyorken basın**
- mil kilitleme düğmesini (F) bırakın
- flanşı (Z) çıkarın
- ! **flanşların sıkıştırma yüzeylerinin (X) tamamen temiz olmasına ve bıçağa oturmasına dikkat edin**
- alt muhafazayı açma kolunu (S) kullanarak alt muhafazayı (W) açık tutup, testere dişleri ile testere bıçağını monte edin; testere bıçağında basılı ok, üst muhafazadaki okla aynı yönü göstermelidir
- alt muhafazayı (W) bırakın
- flanşı (Z) monte edin
- mil kilitleme düğmesine (F) basılı tutup, bıçak cıvatasını alyan anahtarla sıkıştırırken parmağınızı 1/8 tur çevirin (aşırı dirençle karşılaşılığında testere bıçağının kaymasını sağlayarak motorun aşırı yüklenmesini ve testere geri tepmesini azaltır)
- mil kilitleme düğmesini (F) bırakın
- Kesme derinliğinin ayarlanması (0-41 mm) ⑨
 - kesme kalitesinin optimal olarak sağlanabilmesi için testere bıçağının iş parçasının altından 3 mm'den fazla çıkarması gerekir
 - topuzu (Q) gevşetin
 - göstergeli (P) kullanarak ölçekte istenen kesme derinliği ayarlanana kadar ayağı (M) kaldırın/indirin
 - topuzu (Q) sıkın
- Kesme açısının ayarlanması (0-45°) ⑩
 - topuzu (U) gevşetin
 - göstergeli (V) kullanarak ölçekte istenen kesme açısı ayarlanana kadar aleti eğin
 - topuzu (U) sıkın
- ! **gönyeli kesme sırasında derinlik çizelgesinde görülen kesme derinliği gerçek kesme derinliği değildir**
- Kesim çizgisi göstergesi (L) ⑪
 - aletin, iş parçası üzerine çizilen kesme hattı üzerinde hassas biçimde yönlendirilmesini sağlar
 - 0°'lik düz kesme işlerini veya ilgili gösterge hatlarını kullanarak 45°'lik gönyeli kesme işlerini sağlar
 - ! **ayağın büyük bölümü, iş parçasının yaslanmış bölümü üzerinde olmalıdır**
 - ! **kesme genişliği, testere bıçağı kalınlığı ile değil, testere bıçağı dişlerinin genişliği ile belirlenir**
 - ! **gerçek kesme çizgisini kontrol etmek için daima bir deneme kesmesi yapın**
- Toz emme ⑫
 - Elektrik süpürgesi kullanırken
 - elektrikli süpürge hortumunu süpürge adaptörüne (H) bağlayın
 - ! **elektrik süpürgesi hortumu hiçbir zaman alt bıçak koruma parçası deliğini kapatmamalı veya kesme işlemine engel olmalıdır**
 - ! **metalleri keserken süpürgeyi kullanmayın**
- Aletin çalıştırılması
 - bataryayı takın
 - tutma kolunu (C) her zaman sıkıca tutun
 - aleti, ayağın ön ucu düz olacak şekilde iş parçasının üzerine yerleştirin
 - ! **testere bıçağı dişlerinin iş parçasını saplı olmasına dikkat edin**

- önce anahtara (E) (= kilitlenemeyen emniyet anahtarı) basıp ardından tetiği (D) çekerek aleti çalıştırın
- ! **testere, testere bıçağı iş parçası içine girmeden önce maksimum hıza erişmelidir**
- testere bıçağı iş parçasına girince alt muhafaza (W) otomatik olarak açılır (sadece daldırmalı kesimler gibi özel kesimler için kolu (S) kullanarak alt muhafazayı manuel açın)
- ! **aleti gereğinden fazla zorlamayın (bıçak uçlarının aşırı ısınmasını önlemek için hafif ve sürekli basınç uygulayın)**
- ! **çalışırken aleti her zaman tutma yerlerinden tutun**
- kesme işlemi tamamlandıktan sonra tetiği (D) bırakarak aleti kapatın
- ! **aleti iş parçasından çıkarmadan önce testere bıçağının tamamen durmasını bekleyin**

UYGULAMA ÖNERİLERİ

- Ahşap ve ahşap benzeri malzemeleri keserken minimum kıymık oluşmasını sağlamak için her zaman iş parçasının iyi tarafını aşağı çevirin.
- Testere performansı ve kesme kalitesi, esas olarak testere bıçağının durumuna ve diş sayısına bağlıdır.
- Yalnızca kesilen malzemeye uygun keskin testere bıçakları kullanın ⑬
 - ahşap, alüminyum, plastik ve her türlü lamine ahşabı kesmek için sertleştirilmiş çelik testere bıçağı (AC) ② kullanın
 - seramikleri ve fayansları kesmek için elmas disk (AD) ② kullanın
 - karbür uçlu bıçaklar (Y) ②, sıradan bıçaklardan 30 kata kadar daha uzun süre keskin kalır
- Paralel kılavuz (J) ⑭
 - iş parçası kenarı boyunca kesin kesimler yapmayı sağlar
 - ayağın ön ucundaki yuvalardan geçirin
 Paralel kılavuzun ayarlanması
 - alyan anahtarı (A) kullanarak vidayı (K) gevşetin
 - paralel kılavuz ölçeğini kullanarak istediğiniz kesme genişliğini ayarlayın (kesim çizgisi göstergesini (L) 0 referansı olarak kullanın)
 - vidayı (K) sıkın
- Dalarak kesme ⑮
 - istediğiniz kesme derinliğini ayarlayın
 - iş parçası üzerinde işaretlenmiş istenen kesim çizgisi ile hizalanmış kesim çizgisi göstergesini (L) kullanarak aleti öne doğru eğin
 - kolu (S) kullanarak alt muhafazayı (W) açın
 - bıçak iş parçasına girmeden hemen önce, aleti çalıştırın ve ayağın ön ucunu dayanma noktası olarak kullanarak aletin arka ucunu kademeli olarak indirin
 - aleti yavaşça aşağı indirin
 - bıçak malzemeye girer girmez kolu (S) bırakın
 - ! **aleti asla geriye doğru çekmeyin**
- Büyük panellerin kesilmesi ⑯
 - yere, bir masaya veya bir tezgâha yatırın
 - ! **kesme derinliğini destekten değil panelden kesecek şekilde ayarlayın**
 - paralel kılavuz istenen kesim genişliğine izin vermiyorsa, düz tahta parçasını iş parçasına kılavuz olarak kenetleyin veya çakın ve ayağın sol tarafını bu kılavuzla karşı kullanın ⑰
- Daha fazla bilgi için www.skil.com adresine bakın

BAKIM / SERVİS

- Bu alet profesyonel kullanıma yönelik değildir
- Aleti her zaman temiz tutun (özellikle havalandırma deliklerini (B))
- ! **temizlikten önce bataryayı aletten çıkarın**
- Alt muhafazanın (W) ② çevresini her zaman temiz tutun (basınçlı hava veya fırça yardımıyla tozu ve talaş temizleyin)
- Testere bıçağını işiniz biter bitmez temizleyin (özellikle üzerinde reçine ve tutkal kalıntıları varsa)
- Dikkatli biçimde yürütülen üretim ve test prosedürlerine rağmen alet arızalanırsa onarım işlemleri SKIL elektrikli aletlerine yönelik bir satış sonrası servis merkezinde yapılmalıdır
 - aleti parçalarına ayrılmamış olarak satın alma belgesiyle birlikte satıcınıza veya en yakın SKIL servisine gönderin (servis adresleri ve aletin servis çizelgesi www.skil.com adresinde listelenmiştir)
- Aşırı yüklenme ve yanlış kullanımın aleti garanti kapsamında çıkaracağını unutmayın (SKIL garanti koşulları için www.skil.com adresine bakın veya satıcınıza başvurun)

ÇEVRE

- Elektrikli aletleri, bataryaları, aksesuarları ve ambalaj malzemelerini evsel atıklarla birlikte çöpe atmayın (sadece AB ülkeleri için)
 - atık elektrikli ve elektronik eşyalarla ilgili 2012/19/EC sayılı Avrupa Birliği Direktifi ve bu direktifin uyarlandığı ulusal yasalar gereğince kullanım ömrünün sonuna ulaşan elektrikli aletler ayrı olarak toplanmalı ve çevreye uyumlu bir geri dönüşüm tesisine gönderilmelidir
 - ⑥ sembolü, bertaraf etme ihtiyacı meydana geldiğinde size bunu hatırlatması içindir
- ! **bataryayı atmadan önce kısa devre oluşmasını önlemek için batarya kutuplarını kalın bantla sarın**

GÜRÜLTÜ/TİTREŞİM

- EN 62841 standardına uygun olarak yapılan ölçümlere göre bu aletin ses basıncı seviyesi: 96 dB(A), ses gücü seviyesi 107 dB(A) (belirsizlik K = 3 dB) ve titreşim *(triaks vektör toplamı; belirsizlik K = 1,5 m/sn.²)
 - * ahşap keserken < 2,5 m/sn.²
 - * metal keserken < 2,5 m/sn.²
- Titreşim emisyonu seviyesi EN 62841 standardında belirtilen standart teste göre ölçülmüştür; bu seviye, bir aleti bir başkasıyla karşılaştırmak amacıyla ve aletin söz konusu uygulamalarda kullanılması sırasında titreşime maruz kalma derecesinin ön değerlendirmesi olarak kullanılabilir
 - aletin farklı uygulamalar için veya farklı ya da bakımı yetersiz yapılmış aksesuarlarla kullanılması, maruz kalma seviyesini belirgin biçimde artırabilir
 - aletin kapalı olduğu veya çalıştığı ancak gerçek anlamda iş yapmadığı zamanlarda, maruz kalma seviyesi belirgin biçimde azalabilir
- ! **aletin ve aksesuarlarının bakımını yaparak, ellerinizi sıcak tutarak ve çalışma şeklinizi organize ederek kendinizi titreşimin etkilerinden koruyun**

Bezszcotkowa kompaktowa piła wielofunkcyjna

3540

WSTĘP

- To narzędzie jest przeznaczone do wzdłużnego i poprzecznego cięcia drewna, płyt wiórowych, sklejk, aluminium, płytek ceramicznych, kamienia, tworzyw sztucznych oraz lekkich materiałów konstrukcyjnych. Cięcia można wykonywać prostopadle lub pod kątem do 45 stopni.
- Narzędzie nie jest przeznaczone do zastosowań profesjonalnych.
- Prosimy przeczytać i zachować niniejszą instrukcję. ③

DANE TECHNICZNE ①

ELEMENTY NARZĘDZIA ②

- A Klucz imbusowy
- B Schowek na klucz imbusowy
- C Uchwyt
- D Przełącznik wywalający
- E Wyłącznik bezpieczeństwa
- F Przycisk blokady wrzeciona
- G Port do odsysania pyłu
- H Adapter do odkurzacza
- J Prowadnica równoległa
- K Śruba regulacji prowadnicy równoległej
- L Wskaźnik linii cięcia
- M Stopa
- N Szczeliny wentylacyjne
- P Wskaźnik głębokości cięcia
- Q Pokrętko do ustawiania głębokości cięcia
- R Ostona górna
- S Dźwignia do podnoszenia dolnej osłony
- T Lampka LED
- U Pokrętko regulacji kąta cięcia
- V Wskaźnik kąta cięcia
- W Ostona dolna
- X Powierzchnia zaciskowa
- Y Tarcza tnąca z zębami z węglików spiekanych
- Z Kofnierz
- AA Śruba mocująca tarczę
- AB Przycisk wskaźnika poziomu naładowania akumulatora
- AC Tarcza ze stali hartowanej
- AD Tarcza diamentowa

BEZPIECZEŃSTWO

OGÓLNE OSTRZEŻENIA DOTYCZĄCE BEZPIECZEŃSTWA UŻYWANIA ELEKTRONARZĘDZI

⚠ OSTRZEŻENIE Prosimy przeczytać wszystkie ostrzeżenia i instrukcje oraz przestudiować specyfikację i ilustracje dostarczone wraz z elektronarzędziem. Niestosowanie się do wszystkich podanych niżej instrukcji może doprowadzić do porażenia prądem, pożaru i/lub poważnych obrażeń.

Wszystkie ostrzeżenia i instrukcje należy zachować na

przyszłość.

Termin „elektronarzędzie” występujący w ostrzeżeniach dotyczy narzędzia elektrycznego o zasilaniu sieciowym (przewodowego) lub akumulatorowym (beprzewodowego).

1) BEZPIECZEŃSTWO W MIEJSCU PRACY

- a) **Należy dbać o czystość i dobre oświetlenie w miejscu pracy.** Bałagan i złe oświetlenie sprzyjają wypadkom.
- b) **Nie należy używać elektronarzędzi w miejscach zagrożonych wybuchem, np. w obecności łatwopalnych cieczy, gazów lub pyłu.** Elektronarzędzia wytwarzają iskry, które mogą zapalić opary lub pył.
- c) **W czasie pracy elektronarzędzie należy trzymać z dala od dzieci i osób postronnych.** Chwila nieuwagi może spowodować utratę kontroli nad urządzeniem.

2) BEZPIECZEŃSTWO ELEKTRYCZNE

- a) **Wtyczki elektronarzędzi muszą pasować do gniazdek. Nigdy w jakikolwiek sposób nie wolno przerabiać wtyczki. Do elektronarzędzi wymagających uziemienia nie należy używać przejściówek.** Oryginalne wtyczki i pasujące do nich gniazdko zmniejszają ryzyko porażenia prądem.
 - b) **Należy unikać dotykania ciałem powierzchni uziemionych, takich jak np. rury, kaloryfery, kucharki i lodówki.** Uziemienie ciała zwiększa ryzyko porażenia prądem.
 - c) **Elektronarzędzia należy chronić przed deszczem i wilgocią.** Woda dostająca się do wnętrza elektronarzędzia zwiększa ryzyko porażenia prądem.
 - d) **Nie należy nadwyręzać przewodu. Nigdy nie należy używać przewodu do noszenia lub ciągnięcia elektronarzędzia; nie należy chwycić za przewód, aby wyjąć wtyczkę z kontaktu. Przewód należy chronić przed gorącym, ropą, olejem, ostrymi krawędziami i poruszającymi się częściami.** Zaplątane lub uszkodzone przewody zwiększają ryzyko porażenia prądem.
 - e) **Podczas używania elektronarzędzia na dworze należy stosować przedłużacz nadający się do używania na dworze.** Używanie przewodu przeznaczanego do stosowania na dworze zmniejsza ryzyko porażenia prądem.
 - f) **Jeżeli użycie elektronarzędzia w miejscu o dużej wilgotności jest nieuniknione, należy stosować zasilanie zabezpieczone wyłącznikiem różnicowoprądowym.** Używanie wyłącznika różnicowoprądowego zmniejsza ryzyko porażenia prądem.
- ### 3) BEZPIECZEŃSTWO OSOBISTE
- a) **Podczas pracy narzędziem należy zachowywać czujność, patrzeć, co się robi i kierować się zdrowym rozsądkiem. Nie należy używać elektronarzędzia, gdy użytkownik jest zmęczony, albo pod wpływem narkotyków, alkoholu lub leków.** Chwila nieuwagi w czasie posługiwania się elektronarzędziami może spowodować poważne obrażenia.
 - b) **Należy używać środków ochrony osobistej. Należy zawsze nosić okulary ochronne.** Stosowanie w odpowiednich warunkach sprzętu ochronnego takiego

jak np. maska przeciwpyłowa, obuwie ochronne z podeszwami antypoślizgowymi, kask lub ochronniki słuchu zmniejszy ewentualne obrażenia.

- c) **Nie należy dopuszczać do przypadkowego włączenia. Należy pilnować, aby przed podłączeniem narzędzia do zasilania i/lub baterii akumulatorowej oraz przed podniesieniem i przeniesieniem przełącznik był ustawiony w pozycji „wyłączone”.** Przenoszenie elektronarzędzia z palcem na wyłączniku lub podłączanie do prądu elektronarzędzia z włączonym przełącznikiem może prowadzić do wypadków.
- d) **Przed włączeniem elektronarzędzia należy usunąć wszystkie klucze regulacyjne i inne narzędzia.** Klucz zaczepiony o obracającą się część elektronarzędzia może spowodować obrażenia.
- e) **Nie należy sięgać za daleko. Należy zawsze dbać o utrzymanie równowagi i pewne podparcie nóg.** W nieprzewidzianych sytuacjach zapewnia to lepszą kontrolę nad elektronarzędziem.
- f) **Włosy i odzież należy trzymać w bezpiecznej odległości od poruszających się części.** Luźne ubrania, biżuteria lub długie włosy mogą zaczepić się o poruszające się części.
- g) **Jeżeli urządzenie jest przystosowane do podłączania do odsysacza pyłu i urządzenia zbierającego, należy dopilnować, aby systemy te były podłączone i właściwie stosowane.** Używanie systemów służących do pochłaniania pyłu może zmniejszyć zagrożenia związane z pyłem.
- h) **Nie wolno dopuścić do tego, aby poczucie znajomości narzędzia wynikające z jego częstego używania doprowadziło do lekceważenia i ignorowania zasad bezpieczeństwa.** Jedno lekkomyślne działanie może w ułamku sekundy doprowadzić do ciężkich urazów.
- 4) **UŻYWANIE I KONSERWOWANIE ELEKTRONARZĘDZI**
- a) **Elektronarzędzia nie należy forsować. Należy używać narzędzia dostosowanego do wykonywanej pracy.** Odpowiednie narzędzie elektryczne wykona pracę lepiej i bezpieczniej, gdy pozwoli mu się pracować z prędkością/obrotami do jakich zostało zaprojektowane.
- b) **Nie należy używać elektronarzędzia, jeżeli przełącznik zasilania nie włącza go lub nie wyłącza.** Elektronarzędzie, którego nie da się kontrolować przełącznikiem, jest potencjalnie niebezpieczne i wymaga naprawy.
- c) **Przed przystąpieniem do regulacji elektronarzędzia oraz przed wymianą akcesoriów lub odłożeniem narzędzia na miejsce, należy odłączyć je od zasilania i/lub wyjąć akumulator.** Tego typu zapobiegawcze środki ostrożności zmniejszają ryzyko przypadkowego włączenia się elektronarzędzia.
- d) **Nie używane elektronarzędzia należy przechowywać w miejscu niedostępnym dla dzieci. Osobom, które nie znają narzędzia lub nie zapoznały się z instrukcją nie należy pozwalać go używać.** W rękach nieprzeszkolonych użytkowników elektronarzędzia mogą stanowić zagrożenie.
- e) **Elektronarzędzia i akcesoria należy utrzymywać w dobrym stanie. Należy kontrolować, czy części ruchome nie są odchyłone od osi, nie zacinają się**

i nie są pęknięte lub uszkodzone w inny sposób, który mógłby wpłynąć na działanie elektronarzędzia. W razie uszkodzenia, przed użyciem narzędzie należy oddać do naprawy. Wiele wypadków wynika ze złej konserwacji elektronarzędzi.

- f) **Należy dbać o czystość i naostrzenie narzędzi tnących.** Odpowiednio utrzymane narzędzia tnące z ostrymi krawędziami tnącymi są mniej narażone na zakleszczanie się i łatwiej jest je kontrolować.
- g) **Elektronarzędzi, akcesoriów, wiertel, bitów, itp. należy używać zgodnie z niniejszą instrukcją, z uwzględnieniem warunków i rodzaju wykonywanej pracy.** Korzystanie z elektronarzędzi niezgodnie z przeznaczeniem może prowadzić do niebezpiecznych sytuacji.
- h) **Należy dbać o to, aby uchwyty i powierzchnie do trzymania były suche, czyste i niezaplamiłone olejem lub smarem.** Śliskie uchwyty nie pozwalają w bezpieczny sposób kontrolować narzędzia w nieprzewidzianych sytuacjach.
- 5) **UŻYWANIE I KONSERWOWANIE NARZĘDZI AKUMULATOROWYCH**
- a) **Do ładowania należy używać wyłącznie ładowarki wskazanej przez producenta.** Użycie ładowarki pochodzącej od jednego akumulatora do ładowania innego akumulatora grozi pożarem.
- b) **Elektronarzędzi należy używać wyłącznie z dedykowanymi do nich akumulatorami.** Użycie jakichkolwiek innych akumulatorów grozi obrażeniami i pożarem.
- c) **Jeżeli akumulator nie jest używany, należy go przechowywać z dala od innych przedmiotów metalowych, np. spinaczy, monet, kluczy, gwoździ, śrub i innych drobnych przedmiotów metalowych, które mogłyby spowodować zwarcie wyprowadzeń akumulatora.** Zwarcie wyprowadzeń akumulatora może doprowadzić do oparzenia lub pożaru.
- d) **W niesprzyjających warunkach może dojść do wycieku cieczy z akumulatora. Należy wtedy unikać wszelkiego kontaktu z tą cieczą. W razie przypadkowego kontaktu ze skórą, zabrudzone miejsce należy obficie przemyć wodą. Jeżeli płyn dostanie się do oczu, należy dodatkowo zasięgnąć porady lekarza.** Płyn wyciekający z akumulatora może powodować podrażnienie lub oparzenia.
- e) **Nie należy używać akumulatora lub narzędzia, które są uszkodzone lub zostały poddane przeróbkom.** Uszkodzone lub zmodyfikowane akumulatory mogą zachowywać się w sposób nieprzewidywalny, co może doprowadzić do pożaru lub wybuchu lub stwarzać ryzyko urazów.
- f) **Nie należy narażać akumulatora lub narzędzia na kontakt z ogniem lub zbyt wysokimi temperaturami.** Ogień lub temperatury przekraczające 130°C mogą doprowadzić do wybuchu.
- g) **Należy przestrzegać wszystkich instrukcji ładowania. Nie należy ładować akumulatora lub narzędzia poza przedziałem temperatur podanym w instrukcji.** Ładowanie w sposób nieprawidłowy lub w temperaturze wykraczającej poza określony zakres może doprowadzić do uszkodzenia akumulatora i zwiększa ryzyko pożaru.
- 6) **SERWISOWANIE**

- a) **Serwisowanie elektronarzędzia należy powierzać wykwalifikowanemu serwisantowi, a do naprawy używać wyłącznie części zamiennych identycznych z oryginalnymi.** Zapewni to bezpieczeństwo eksploatacji elektronarzędzia.
- b) **Uszkodzonych akumulatorów nie należy nigdy naprawiać.** Jakikolwiek czynności serwisowe przy akumulatorach powinny być wykonywane wyłącznie przez producenta lub pracowników autoryzowanego serwisu.

INSTRUKCJE BEZPIECZEŃSTWA DOTYCZĄCE PIŁ TARCZOWYCH

Procedury cięcia

- a) **NIEBEZPIECZEŃSTWO: Ręce należy trzymać z dala od strefy cięcia i tarczy.** Jeżeli piła jest trzymana oburącz, nie ma niebezpieczeństwa, że tarcza dotknie dłoni.
- b) **Nie wolno sięgać pod przecinany element.** Osłona nie zabezpiecza użytkownika przed tarczą pod przecinany elementem.
- c) **Głębokość cięcia należy dostosować do grubości przecinanego elementu.** Pod przecinany element powinno być widać nie więcej niż cały ząb tarczy.
- d) **Podczas piłowania nigdy nie wolno trzymać przecinanego przedmiotu w dłoniach ani na kolanach. Przecinany element należy zamocować na stabilnej podstawie.** Ważne jest, aby przecinany element odpowiednio podeprzeć w taki sposób, aby do minimum ograniczyć zagrożenie dla użytkownika i ryzyko zakleszczenia tarczy lub utraty kontroli.
- e) **W czasie prac, w trakcie których końcówka tnąca może natrafić na ukryty przewód elektryczny lub własny przewód izolacyjny, elektronarzędzie należy trzymać za izolowane uchwyty.** Dotknięcie przewodu pod napięciem może spowodować, że przez niez izolowane elementy metalowe elektronarzędzia popłynie prąd, co grozi operatorowi porażeniem.
- f) **Podczas cięcia wzdłuż słojów, aby uzyskać prostą krawędź, należy zawsze używać ogranicznika lub prowadnicy z prostą krawędzią.** Zwiększa to precyzję cięcia i zmniejsza możliwość zakleszczenia się tarczy.
- g) **Należy zawsze używać tarcz odpowiednich pod względem wielkości i kształtu otworu (rombowe lub okrągłe).** Tarcze, które nie pasują do osprzętu mocującego piły, będą pracowały niecentrycznie, co grozi utratą kontroli nad narzędziem.
- h) **Nigdy nie należy używać uszkodzonych lub niewłaściwych podkładek do tarcz lub śrub.** Podkładki pod tarczę i śruby zostały specjalnie zaprojektowane do zakupionej piły tak, aby gwarantowały optymalną pracę i maksymalne bezpieczeństwo użytkownika.

Przyczyny odbijania i związane z tym ostrzeżenia

- Odbicie jest nagłą reakcją tarczy tnącej na zablokowanie, zakleszczenie się lub skrzywienie, powodującą niekontrolowane wysunięcie się piły poza obrabiany element w górę w stronę operatora.

- Gdy tarcza tnąca zakleszczy się lub zablokuje w zamykającym się nacięciu drewnianego elementu, tarcza zatrzymuje się, a reakcja silnika powoduje, że całe urządzenie gwałtownie odskakuje w stronę operatora.
- Jeżeli tarcza w nacięciu skrzywi się lub odchyli od osi, zęby na tylnej krawędzi tarczy mogą wbić się w górną powierzchnię drewna, powodując wysunięcie się tarczy z nacięcia i odskok w kierunku operatora.

Odbicie jest efektem niewłaściwego użycia i/lub obsługiwanego piły lub wystąpienia warunków, których można uniknąć, o ile zostaną podjęte odpowiednie, podane niżej środki zapobiegawcze:

- a) **Piłę należy zawsze pewnie trzymać. Należy się zapierać ramionami w taki sposób, aby móc zamortyzować siły odbicia. Należy się ustawić po dowolnej stronie tarczy, ale nie na wyznaczanej przez nią linii cięcia.** Odbicie może spowodować, że piła odskoczy do tyłu, jednak podejmując odpowiednie środki ostrożności operator jest w stanie zachować kontrolę.
- b) **Gdy tarcza zaklinuje się lub gdy z jakiegoś powodu cięcie zostanie przerwane, należy zwolnić przełącznik spustowy i przytrzymać piłę nieruchomo w przecinanym materiale aż do całkowitego zatrzymania się tarczy. Nigdy nie należy próbować wyjmować piły z przecinanego elementu lub ciągnąć piły do tyłu, gdy tarcza jeszcze porusza się – grozi to odbiciem.** Należy sprawdzić, dlaczego tarcza się zablokowała i podjąć stosowne działania, tak aby usunąć przyczynę zakleszczenia.
- c) **Przy ponownym włączeniu piły włożonej w przecinany element tarczę należy ustawić centralnie w nacięciu, tak aby zęby piły nie zahaczyły o przecinany materiał.** Jeżeli tarcza tnąca klinuje się, przy ponownym włączeniu może ona podskoczyć do góry i szarpnąć w tył.
- d) **Podczas piłowania dużych płyt, aby zminimalizować ryzyko zakleszczenia lub odbicia tarczy, należy je podeprzeć.** Duże płyty często uginają się pod swoim własnym ciężarem. Podpory należy umieścić pod płytą z obu stron, obok linii cięcia i w pobliżu krawędzi płyty.
- e) **Nie należy używać tępych lub uszkodzonych tarcz.** Nienaostrome lub niewłaściwie osadzone tarcze tworzą wąskie nacięcia, co skutkuje nadmiernym tarciem, zakleszczaniem się tarczy i odbijaniem.
- f) **Przed przystąpieniem do cięcia dźwignie regulacji głębokości ustawienia tarczy i jej skosu muszą być solidnie dociśnięte i dokręcone.** Przesunięcie się ustawień tarczy w trakcie piłowania może spowodować zaklinowanie się tarczy lub odbicie.
- g) **Szczególną uwagę należy zachować podczas wykonywania „wcięć wgłębnych” w ścianach lub innych powierzchniach dostępnych tylko z jednej strony.** Wystająca część tarczy może natrafić na przedmioty powodujące odbicie.

Funkcja dolnej osłony

- a) **Przed każdym użyciem należy sprawdzić poprawne zamykanie się dolnej osłony. Nie należy włączać piły, jeżeli osłona dolna nie porusza się swobodnie**

i nie zamyka się natychmiast. Osłony dolnej nigdy nie należy zaciskać lub podwiązywać w pozycji otwartej. Jeżeli piła zostanie przypadkowo upuszczona na ziemię, osłona dolna może się skrzywić. Osłonę dolną należy pociągnąć za uchwyt i odchylić, aby upewnić się, że porusza się ona swobodnie i nie dotyka tarczy ani żadnych innych części, pod żadnym kątem i niezależnie od głębokości cięcia.

- b) Przed użyciem należy sprawdzić działanie sprężyny dolnej osłony. Jeżeli osłona i sprężyna nie działają właściwie, przed użyciem należy je koniecznie naprawić.** Osłona dolna może poruszać się ciężiej i z oporami pod wpływem uszkodzenia części, lepkich osadów lub nagromadzenia się zanieczyszczeń.
- c) Osłonę dolną można odchylić jedynie tylko w celu wykonania specjalnych cięć takich jak „cięcia wgłębne” i „cięcia złożone”. Aby odchylić osłonę dolną, należy pociągnąć za uchwyt na osłonie tarczy. Gdy tylko tarcza zagłębi się w materiale, osłonę dolną należy puścić.** We wszystkich pozostałych sytuacjach osłona dolna powinna pracować automatycznie.
- d) Przed odłożeniem piły na podłozie lub na stole warsztatowym, należy zawsze dopilnować, aby osłona dolna zakrywała tarczę.** Niezabezpieczona tarcza poruszająca się siłą rozpędu spowoduje, że piła odskoczy do tyłu, przecinając wszystko na co natrafi. Należy mieć świadomość czasu, jaki jest konieczny do zatrzymania się tarczy od momentu puszczenia wyłącznika.

DODATKOWE WSKAZÓWKI BEZPIECZEŃSTWA

KWESTIE OGÓLNE

- Narzędzie nie powinny używać osoby w wieku poniżej 16 roku życia
- Urządzenie przeznaczone jest tylko do cięcia na sucho
- Nie należy obrabiać materiału zawierającego azbest (azbest jest rakotwórczy)**
- Pył pochodzący z takich materiałów, jak farby zawierające ołów, niektóre gatunki drzewa, minerały i metal może być szkodliwy (kontakt z nim lub wdychanie takiego pyłu może powodować reakcje alergiczne i/lub niewydolność oddechową u operatora lub osób towarzyszących); **należy zakładać maskę przeciwpyłową i pracować z urządzeniem odsysającym, o ile można je podłączyć**
- Niektóre rodzaje pyłu są zaklasyfikowane jako rakotwórcze (takie, jak pył dębu i buka) szczególnie w połączeniu z dodatkami do kondycjonowania drewna; **należy zakładać maskę przeciwpyłową i pracować z urządzeniem odsysającym pył, o ile można je podłączyć**
- Należy stosować się do lokalnych wymogów dotyczących pracy w otoczeniu pyłu powstającego podczas obróbki materiału
- Nie używać tej piły przy stole roboczym
- Przed dokonaniem jakiegokolwiek regulacji lub zmiany akcesoriów wyjąć z narzędzia akumulatora

AKCESORIA

- Firma SKIL może zagwarantować bezawaryjne działanie narzędzia tylko pod warunkiem korzystania z oryginalnych akcesoriów
- Należy używać wyłącznie tarcz tnących, których

parametry są zgodne z podanymi w niniejszej instrukcji obsługi utołce i które w przypadku tarcz przeznaczonych do drewna i materiałów drewnopodobnych zostały przetestowane zgodnie z wymaganiami normy EN 847-1 i odpowiednio oznakowane.

- Należy używać tylko akcesoriów, których dopuszczalna prędkość obrotowa jest co najmniej tak wysoka jak maksymalna prędkość obrotowa urządzenia bez obciążenia
- Należy używać wyłącznie tarcz tnących o minimalnej średnicy 115 mm, maksymalnej średnicy 120 mm i otworze na wrzeciono o średnicy 9,5 mm**
- W tym elektronarzędziu nigdy nie należy używać tarczy ściernych
- Z akcesoriami należy się obchodzić uważnie i należy je starannie przechowywać
- Należy zidentyfikować właściwą tarczę, która będzie się nadawała do cięcia przecinanego materiału.

PRZED UŻYCIEM

- Uwaga na gwoździe, śruby i inne twarde przedmioty; przed przystąpieniem do obróbki powinny być usunięte z obrabianego przedmiotu; usunąć je przed rozpoczęciem pracy
- Przed przystąpieniem do obróbki należy usunąć wszelkie przeszkody znajdujące się po obu stronach obrabianego przedmiotu wzdłuż linii cięcia
- Należy zabezpieczyć miejsce wykonywania prac** (obrabiany element umieszczony w zaciskach lub imadle jest utrzymywany bezpiecznie niż w ręku)
- Aby wykryć ukryte przewody zasilające należy używać stosownych detektorów, skontaktować się z miejscowym zakładem energetycznym lub wezwać miejscowego dostawcę usług publicznych** (kontakt z przewodami elektrycznymi może doprowadzić do pożaru i porażenia prądem; uszkodzenie przewodu gazowego może doprowadzić do wybuchu; uszkodzenie przewodów instalacji wodociągowej powoduje straty materialne i może doprowadzić do porażenia prądem)

PODZAS UŻYWANIA

- Poziom hałas podczas pracy może przekraczać 85 dB(A); używać nauszники do ochrony słuchu
- Elektronarzędzia można używać wyłącznie z zamontowanymi wszystkimi urządzeniami służącymi bezpieczeństwu użytkownika
- Nie wolno przecinać przedmiotów zbyt małych
- Nie wolno pracować elektronarzędziem ponad głowę
- W przypadku zablokowania się lub usterek elektrycznej lub mechanicznej należy natychmiast wyłączyć narzędzie i wyjąć z niego akumulator.

PO UŻYCIU

- Przed pozostawieniem elektronarzędzia należy odłączyć zasilanie elektryczne i odczekać do całkowitego zatrzymania się wrzeciona
- Po wyłączeniu silnika, nigdy nie należy wyhamowywać tarczy tnącej przez dociskanie jej po boku

AKUMULATORY

- Dostarczany akumulator jest częściowo naładowany (aby zapewnić pełne naładowanie akumulatora, przed użyciem elektronarzędzia po raz pierwszy akumulator należy całkowicie naładować ładowarką)
- Do narzędzia należy stosować wyłącznie poniższe akumulatory i ładowarki
 - Akumulator SKIL: BR1*31****
 - Ładowarka SKIL: CR1*31****
- Uszkodzony akumulator należy wymienić; nie należy

używać go do pracy

- Zabrania się rozmontowywania akumulatora
- Elektronarzędzia/akumulatora nie należy narażać na działanie opadów atmosferycznych
- Dopuszczalna temperatura otoczenia (narzędzie/ładowarka/akumulator):
 - podczas ładowania 4...40°C
 - podczas pracy -20...+50°C
 - podczas przechowywania -20...+50°C

OBJAŚNIENIE SYMBOLI NA NARZĘDZIU/ AKUMULATORZE

- ③ Przed użyciem należy przeczytać instrukcję
- ④ Akumulatory w kontakcie z ogniem mogą eksplodować, więc nie wolno ich pod żadnym pozorem spalać
- ⑤ Narzędzie/ładowarkę/akumulator należy zawsze przechowywać w miejscach o temperaturze nie przekraczającej 50°C
- ⑥ Narzędzi elektrycznych oraz baterii/akumulatorów nie należy wyrzucać razem ze zwykłymi śmieciami z gospodarstw domowych

UŻYTKOWANIE

- Ładowanie akumulatora
! prosimy przeczytać ostrzeżenia dotyczące bezpieczeństwa oraz instrukcje dostarczone wraz z ładowarką
- Wyjmowanie/zakładanie akumulatora ②
- Wskaźnik poziomu naładowania akumulatora ⑦
 - W celu wyświetlenia aktualnego poziomu naładowania należy nacisnąć przycisk wskaźnika poziomu naładowania akumulatora ⑦a
 - ! gdy po wciśnięciu przycisku AB ⑦b najniższy wskaźnik poziomu naładowania akumulatora zaczyna migać, wówczas oznacza to, że akumulator jest rozładowany**
 - ! Gdy po wciśnięciu przycisku AB ⑦c migają 2 wskaźniki poziomu naładowania akumulatora, wówczas oznacza to, że temperatura akumulatora nie mieści się w dozwolonym przedziale pracy**
- Lampka LED T ⑧
Gdy narzędzie zaczyna pracować, lampka LED zapala się automatycznie
! miganie lampki LED oznacza, że włączył się system ochrony akumulatora (patrz poniżej)
- System ochrony akumulatora
Narzędzie nagle wyłącza się lub nie można go włączyć, gdy
 - **obciążenie jest zbyt duże** -> należy usunąć obciążenie i uruchomić narzędzie ponownie
 - **temperatura akumulatora jest poza dopuszczalnym zakresem wynoszącym od -20 do 50°C** -> 2 paski poziomu energii akumulatora na wskaźniku zaczną migać po naciśnięciu przycisku AB 7c; należy poczekać, aż temperatura akumulatora powróci do dopuszczalnego zakresu
 - **akumulator jest prawie całkowicie wyczerpany (zabezpieczenie przed głębokim rozładowaniem)** -> naciśnięcie przycisku AB powoduje wyświetlenie na wskaźniku niskiego poziomu akumulatora lub miganie paska niskiego poziomu akumulatora; naładować akumulator
- ! po automatycznym wyłączeniu narzędzia nie należy naciskać przycisku „on/off” („wł./wyt.”),**

ponieważ może to spowodować uszkodzenie akumulatora

- Instalacja tarczy tnącej ②
! z narzędzia należy wyjąć akumulator
 - ze schowka B wyjąć klucz imbusowy A
 - nacisnąć przycisk blokady wrzeciona F i przytrzymać go w tym położeniu podczas wykręcania śruby mocującej tarczę AA, przekręcając klucz imbusowy A W PRAWO (ZGODNIE Z KIERUNKIEM RUCHU WSKAZÓWEK ZEGARA = kierunek wskazywany przez strzałkę znajdującą się na pile tarczowej)
 - ! przycisk blokady wrzeciona F wolno naciskać tylko wtedy, gdy tarcza piły jest nieruchoma**
 - puścić przycisk blokady wrzeciona F
 - zdjąć kołnier z
 - ! upewnić się, że powierzchnie zaciskowe X kołnierzy są idealnie czyste i zwrócone w stronę tarczy**
 - za pomocą dźwigni S odchylić osłonę dolną W i przytrzymać na czas montażu tarczy tnącej; zęby tarczy i strzałka nadrukowana na tarczy muszą wskazywać ten sam kierunek co strzałka na osłonie górnej
 - puścić osłonę dolną W
 - kołnier montażowy Z
 - nacisnąć przycisk blokady wrzeciona F i przytrzymać go podczas dokręcania śruby mocującej tarczę kluczem imbusowym o 1/8 obrotu ponad siłę dokręcenia palcami (zapewnia to poślizg tarczy po napotkaniu zbyt dużego oporu cięcia, a tym samym pozwala uniknąć przeciążenia silnika i wstecznego odrzutu narzędzia)
 - puścić przycisk blokady wrzeciona F
- Regulacja głębokości cięcia (0-41 mm) ⑨
 - w celu zapewnienia optymalnej jakości cięcia tarcza tnąca nie powinna wystawać poniżej dolnej powierzchni przedmiotu o więcej niż 3 mm
 - poluzować pokrętko Q
 - korzystając ze wskaźnika P, unieść/opuścić stopę M na żądaną głębokość cięcia na skali
 - zakręcić pokrętko Q
- Regulacja kąta cięcia (0-45°) ⑩
 - poluzować pokrętko U
 - korzystając ze wskaźnika V, przechylić narzędzie na żądany kąt cięcia na skali
 - zakręcić pokrętko U
 - ! w przypadku nieprostokątnego ustawienia piły głębokości cięcia wskazywana na podziałce nie odpowiada rzeczywistej głębokości**
- Wskaźnik linii cięcia L ⑪
 - pokazuje pozycję piły tarczowej przy cięciu wzdłuż uprzednio naniesionej linii
 - przy cięciu prostokątnym pod kątem 0° lub ukośnym pod kątem 45° należy korzystać z odpowiednich linii wskazujących
 - ! szersza strona płyty podstawy powinna przylegać do wspartej części obrabianego przedmiotu**
 - ! szerokość linii cięcia wyznacza nie grubość piły tarczowej, lecz grubość jej zębów**
 - ! w celu sprawdzenia poprawności ustawienia należy wykonać cięcie próbne**
- Odsysanie pyłu ⑫
 - w celu stosowania odkurzacza zewnętrznego
 - podłączyć wąż odkurzacza do adaptera na odkurzac

H

! należy uważać, aby wąż odkurzacza nigdy nie blokował swobody ruchu osłony oraz nie utrudniał prowadzenia pilarki

! nie należy używać odsysacza podczas cięcia metalu

- Obsługa narzędzia
 - zamontować akumulator
 - należy zawsze mocno trzymać uchwyt C
 - ustawić pewnie elektronarzędzie dolną powierzchnią płyty podstawy na obrabianym przedmiocie
 - ! należy się upewnić czy zęby piły nie stykają się już z obrabianym przedmiotem**
 - włączyć narzędzie wciskając przycisk E (= włącznik bezpieczeństwa, w nie powinien być blokowany) a następnie pociągając za spust D
 - ! piłę należy przystawiać do przecinanego przedmiotu dopiero po osiągnięciu przez narzędzie pełnej prędkości obrotowej**
 - osłona dolna W otwierana jest automatycznie w momencie zbliżenia tarczy tnącej do przecinanego przedmiotu (osłonę można odchyłać ręcznie dźwignią S tylko w przypadku wykonywania cięć specjalnych takich jak cięcia wgłębne)
 - ! narzędzia nie wolno przeciążać (należy je dociskać lekko i miarowo, co pozwoli uniknąć przegrzania końcówek tarczy)**
 - ! podczas pracy należy zawsze trzymać narzędzie za uchwyt(y)**
 - po zakończeniu cięcia wyłączyć narzędzie puszcając spust D
 - ! przed podniesieniem narzędzia z obrabianego materiału należy się upewnić, że ostrze całkowicie się zatrzymało**

WSKAZÓWKI DOTYCZĄCE UŻYTKOWANIA

- Podczas piłowania drewna i produktów drewnopodobnych należy zawsze kłaść przecinany element jego stroną widoczną na dół, tak aby ograniczyć do minimum odtamywanie się drzazg materiału
 - Wydajność i jakość cięcia zależą zasadniczo od stanu i liczby zębów tarczy tnącej.
 - Należy używać wyłącznie ostrych tarcz tnących typu odpowiedniego do przecinanego materiału ⁽¹³⁾
 - tarczy ze stali hartowanej AC ⁽²⁾ należy używać do cięcia drewna, aluminium, tworzyw sztucznych oraz wszystkich rodzajów laminowanego drewna
 - tarczy diamentowej AD ⁽²⁾ należy używać do cięcia ceramiki oraz płytek
 - tarcze z zębami z węglików spiekanych Y ⁽²⁾ mają około 30-to krotnie większą żywotność w porównaniu do tarcz zwykłego typu
 - Prowadnica równoległa J ⁽¹⁴⁾
 - umożliwiają wykonywanie dokładnych cięć równoległych do krawędzi przedmiotu
 - należy ją włożyć przez szczeliny na przednim końcu stopy
- Regulacja położenia prowadnicy równoległej
- poluzować śrubę K kluczem imbusowym A
 - korzystając z podziałki na prowadnicy równoległej, ustawić wymaganą szerokość cięcia (wskaźnik linii

cięcia L stosować jako zerowy punkt odniesienia (0))

- dokręcić śrubę K
- Cięcie wgłębne ⁽¹⁵⁾
 - ustawić wymaganą głębokość cięcia
 - przechylić narzędzie do przodu, kierując wskaźnik linii cięcia L na naniesioną na przecinanym przedmiocie linię
 - za pomocą dźwigni S odchylić osłonę dolną
 - bezpośrednio przed zagłębieniem tarczy uruchomić elektronarzędzie, przechylając pilarkę wzdłuż przedniej krawędzi podstawy opuścić wolno tylną część elektronarzędzia
 - stopniowo przesuwając narzędzie w dół i do przodu
 - natychmiast gdy tarcza wejdzie w materiał, puścić dźwignię S
 - ! nigdy nie wolno prowadzić narzędzia do tyłu**
- Cięcie większych płyt ⁽¹⁶⁾
 - płytę podeprzeć wzdłuż linii cięcia, na podłodze stole lub warsztacie
 - ! głębokość cięcia należy ustawić w taki sposób, aby przecinać tylko płytę a nie przedmioty wspierające znajdujące się poniżej**
 - w przypadku gdy prowadnica równoległa nie daje możliwości cięcia w dużej odległości, należy przytwierdzić dodatkową listwę do powierzchni płyty i prowadzić elektronarzędzie lewą stroną wzdłuż listwy ⁽¹⁷⁾
- Więcej informacji można znaleźć pod adresem www.skil.com

KONSERWACJA/SERWISOWANIE

- Narzędzie nie jest przeznaczone do zastosowań profesjonalnych
- Należy zawsze dbać o czystość narzędzia (a szczególnie szczelin wentylacyjnych N)
- ! przed rozpoczęciem czyszczenia należy wyjąć z narzędzia akumulator**
- Obszar wokół osłony dolnej W ⁽²⁾ musi być zawsze czysty (kurz i opiłki należy usuwać sprężonym powietrzem lub pędzlem)
- Piłę tarczową czyścić każdorazowo po zakończonej pracy (szczególnie z żywicy i pozostałości klejów)
- Jeśli narzędzie, mimo dokładnej i wszechstronnej kontroli produkcyjnej ulegnie kiedykolwiek awarii, naprawę powinien przeprowadzić autoryzowany serwis elektronarzędzi firmy SKIL
 - nierozbrane narzędzie należy odesłać, wraz z dowodem zakupu, do swojego dystrybutora lub do najbliższego punktu serwisowego SKIL (adresy oraz diagram serwisowy narzędzia znajdują się na stronach www.skil.com)
- Prosimy pamiętać, że uszkodzenia spowodowane przeciążeniem lub niewłaściwym użytkowaniem narzędzia nie podlegają gwarancji (warunki gwarancji SKIL znajdują się na www.skil.com lub pytać swojego dealera)

ŚRODOWISKO

- Elektronarzędzi, akumulatorów, akcesoriów i opakowania nie należy wyrzucać razem z odpadami z gospodarstwa domowego (dotyczy tylko państw UE)
- zgodnie z Europejską Dyrektywą 2012/19/WE w sprawie zużytego sprzętu elektrotechnicznego

и электроничного oraz dostosowaniem jej do prawa krajowego, zużyte elektronarzędzia należy posegregować i zutilizować w sposób przyjazny dla środowiska

- в przypadku potrzeby позбывця się narzędzia, аксесоріів і опакowania - przypomні Ci o tym symbol ⑥

! aby nie dopuścić do zwarcia, przed uтилизacją należy zabezpieczyć wyprowadzenia аккумулятора грубą тасмą

HAŁAS/DRGANIA

- Poziom ciśnienia akustycznego narzędzia zmierzony zgodnie z normą EN 62841 wynosi 96 dB(A), poziom mocy akustycznej wynosi 107 dB(A) (niepewność K = 3 dB), zaś poziom drgań* (sumy wektorowe przyspieszeń mierzone czujnikami triax; niepewność K = 1,5 m/s²) wynosi:
 - * cięcie drewna < 2,5 m/s²
 - * cięcie metalu < 2,5 m/s²
 - Poziom emisji wibracji został zmierzony zgodnie z testem standaryzowanym podanym w EN 62841; może służyć do porównania jednego narzędzia z innym i jako ocena wstępna narażenia na wibracje w trakcie używania narzędzia do wymienionych zadań
 - używanie narzędzia do innych zastosowań, lub z innymi albo źle utrzymanymi akcesoriami, może znacząco zwiększyć poziom narażenia
 - przypadki, kiedy narzędzie jest wyłączone lub pracuje, ale aktualnie nie wykonuje zadania, mogą znacząco zmniejszyć poziom narażenia
- ! należy chronić się przed skutkami wibracji przez konserwację narzędzia i jego akcesoriów, dbanie o ciepło dłoni i właściwą organizację pracy**

RU

Бесщеточная компактная универсальная пила

3540

предусмотренных изготовителем для продукции, могут входить настоящее руководство по эксплуатации, а также приложения.

Информация о подтверждении соответствия содержится в приложении.

Срок службы изделия

Срок службы изделия составляет 7 лет. Не рекомендуется к эксплуатации по истечении 5 лет хранения с даты изготовления без предварительной проверки (дату изготовления см. на этикетке).

Перечень критических отказов и ошибочные действия персонала или пользователя

- не использовать с поврежденной рукояткой или поврежденным защитным кожухом
- не использовать при появлении дыма непосредственно из корпуса изделия
- не использовать с перебитым или оголенным электрическим кабелем

- не использовать на открытом пространстве во время дождя (в распыляемой воде)
- не включать при попадании воды в корпус
- не использовать при сильном искрении
- не использовать при появлении сильной вибрации

Критерии предельных состояний

- перетёрт или повреждён электрический кабель
- повреждён корпус изделия

Тип и периодичность технического обслуживания

Рекомендуется очистить инструмент от пыли после каждого использования.

Хранение

- необходимо хранить в сухом месте
- необходимо хранить вдали от источников повышенных температур и воздействия солнечных лучей
- при хранении необходимо избегать резкого перепада температур
- хранение без упаковки не допускается
- подробные требования к условиям хранения смотрите в ГОСТ 15150 (Условие 1)

Транспортировка

- категорически не допускается падение и любые механические воздействия на упаковку при транспортировке
- при разгрузке/погрузке не допускается использование любого вида техники, работающей по принципу зажима упаковки
- подробные требования к условиям транспортировки смотрите в ГОСТ 15150 (Условие 5)

ВНИМАНИЕ!

В случае возникновения перебоя в работе электроинструмента вследствие полного или частичного прекращения энергоснабжения или повреждения цепи управления энергоснабжением установите выключатель в положение Выкл., убедившись, что он не заблокирован (при его наличии) и отключите сетевую вилку от розетки или отсоедините съёмный аккумулятор (этим предотвращается неконтролируемый повторный запуск)

ВВЕДЕНИЕ

- Данный инструмент предназначен для продольной и поперечной резки древесины, ДСП, фанеры, алюминия, плитки, камня, пластика и легких строительных материалов как под прямым углом, так и с наклоном пропила до 45 градусов.
- Данное устройство не предназначено для профессионального использования.
- Изучите и сохраните данное руководство по эксплуатации ③

ТЕХНИЧЕСКИЕ ХАРАКТЕРИСТИКИ ①

СТРАНА ИЗГОТОВЛЕНИЯ

Сделано в Китае

КОМПОНЕНТЫ УСТРОЙСТВА ②

- A Шестигранный ключ
- B Отделение для шестигранного ключа
- C Рукоятка
- D Курковый переключатель
- E Предохранительный выключатель
- F Кнопка блокировки шпинделя
- G Отверстие для отвода пыли
- H Адаптер для пылесоса
- J Параллельная направляющая
- K Винт для регулировки параллельной направляющей
- L Указатель линии пропила
- M Основание
- N Вентиляционные отверстия
- P Индикатор глубины пропила
- Q Ручка установки глубины резки
- R Верхний щиток
- S Ручка для открытия нижнего щитка
- T Светодиодная подсветка
- U Ручка для регулировки угла пропила
- V Индикатор угла пропила
- W Нижний щиток
- X Зажимная поверхность
- Y Пильный диск с твердосплавными пластинами
- Z Фланец
- AA Болт режущего элемента
- AB Кнопка индикатора уровня заряда аккумулятора
- AC Лезвие из закаленной стали
- AD Алмазный диск

БЕЗОПАСНОСТЬ

ОБЩИЕ ПРАВИЛА ТЕХНИКИ БЕЗОПАСНОСТИ ПРИ РАБОТЕ С ЭЛЕКТРОИНСТРУМЕНТАМИ

⚠ ПРЕДУПРЕЖДЕНИЕ. Прочитайте все правила безопасности, инструкции, иллюстрации и спецификации, прилагаемые к этому электроинструменту. Невыполнение изложенных ниже инструкций может привести к поражению электрическим током, пожару и (или) тяжелым травмам.

Сохраните все предупреждения и инструкции для использования в будущем.

Термин «электроинструмент» в предупреждениях означает электрический инструмент с питанием от сети (с кабелем) или электрический инструмент с питанием от аккумулятора (без кабеля).

1) БЕЗОПАСНОСТЬ РАБОЧЕГО МЕСТА

- a) **Обеспечьте чистоту и освещенность рабочего места.** Загроможденные и плохо освещенные места служат причиной несчастных случаев.
- b) **Не используйте электроинструменты во взрывоопасных местах, например вблизи горючих жидкостей, газов или пыли.** Электроинструменты генерируют искры, которые могут воспламенить пыль или испарения.
- c) **Не позволяйте детям и посторонним находиться вблизи работающего электроинструмента.**

Отвлекающие факторы могут привести к потере контроля.

2) ЭЛЕКТРОТЕХНИЧЕСКАЯ БЕЗОПАСНОСТЬ

- a) **Вилка электроинструмента должна соответствовать розетке. Никогда не переделывайте вилку. Не используйте никакие переходники для вилок электроинструментов с заземлением.** Использование оригинальных вилок и соответствующих им розеток уменьшает риск поражения электрическим током.
 - b) **Избегайте прикосновений к заземленным объектам, таким как трубы, радиаторы, плиты и холодильники.** Риск поражения электрическим током выше, когда тело заземлено.
 - c) **Не подвергайте электроинструменты воздействию дождя или влаги.** При попадании воды в электроинструмент увеличивается риск поражения электрическим током.
 - d) **Обращайтесь с кабелем аккуратно. Никогда не переносите, не тяните и не выключайте электроинструмент за кабель. Держите кабель подальше от источников тепла, масла, острых предметов или движущихся частей.** Поврежденные и запутанные кабели повышают риск поражения электрическим током.
 - e) **Для работы с электроинструментом вне помещения используйте предназначенный для этого удлинительный кабель.** Использование кабеля, подходящего для использования вне помещения, снижает риск поражения электрическим током.
 - f) **Если использование электроинструмента в сыром помещении неизбежно, подключайте его через устройство защитного отключения (УЗО).** Использование УЗО снижает риск поражения электрическим током.
- #### 3) ЛИЧНАЯ БЕЗОПАСНОСТЬ
- a) **При использовании электроинструмента будьте бдительны, следите за своими действиями и следуйте здравому смыслу. Не пользуйтесь электроинструментом, если вы устали или находитесь под воздействием наркотиков, алкоголя или медикаментов.** Даже кратковременная невнимательность при работе с электроинструментом может привести к тяжелым травмам.
 - b) **Используйте средства индивидуальной защиты. Всегда используйте защитные средства для глаз.** Защитное оборудование, такое как противопылевая маска, нескользкая предохранительная обувь, жесткая каска или устройства защиты органов слуха в соответствующих условиях уменьшает риск травмирования.
 - c) **Не допускайте непредвиденных запусков. Перед подключением инструмента к сети питания (или аккумулятора) и перед его переноской убедитесь, что выключатель находится в выключенном положении.** Не держите палец на выключателе при переноске электроинструментов и не включайте вилку в розетку, если электроинструмент включен. Это может привести к несчастному случаю.
 - d) **Перед включением электроинструмента**

- снимите с него регулировочные инструменты и гаечные ключи. Регулировочный инструмент или гаечный ключ, оставленный на вращающейся части электроинструмента, может стать причиной травмы.
- e) **Не тянитесь. Всегда сохраняйте устойчивое положение и равновесие.** Это позволит лучше контролировать электроинструмент в непредвиденных ситуациях.
- f) **Держите волосы и одежду подальше от движущихся частей.** Свободная одежда, украшения и длинные волосы могут попасть в движущиеся части.
- g) **При наличии устройств для отвода и сбора пыли убедитесь, что они подключены и правильно работают.** Использование пылеулавливающих устройств снижает вред, причиняемый пылью.
- h) **Не допускайте небрежности, которая может возникнуть из-за частого использования инструмента и повлечь за собой самоуверенность и игнорирование правил безопасности.** Неосторожное действие может причинить серьезную травму за доли секунды.
- 4) **ИСПОЛЬЗОВАНИЕ И ОБСЛУЖИВАНИЕ ЭЛЕКТРОИНСТРУМЕНТА**
- a) **Не прикладывайте к электроинструменту чрезмерных усилий. Используйте подходящий для ваших задач электроинструмент.** Правильно выбранный электроинструмент более эффективен и безопасен при номинальной нагрузке.
- b) **Не используйте электроинструмент, если его выключатель неисправен.** Электроинструменты с неисправным выключателем опасны и подлежат ремонту.
- c) **Перед регулировкой, сменой ансессуаров или хранением отключите электроинструмент от сети питания и/или извлеките аккумулятор, если это возможно.** Такие меры предосторожности уменьшают риск случайного запуска электроинструмента.
- d) **Храните неиспользуемые электроинструменты в местах, недоступных для детей, и не доверяйте электроинструмент лицам, не знакомым с ним и с этими инструкциями.** Электроинструменты опасны в руках неподготовленных пользователей.
- e) **Выполняйте техническое обслуживание электроинструментов и принадлежностей. Проверьте выравнивание и сцепление подвижных деталей, наличие поломок и прочие условия, которые могут повлиять на работу электроинструмента. Если электроинструмент поврежден, перед использованием его необходимо отремонтировать.** Недостаточный уход за электроинструментом является причиной многих несчастных случаев.
- f) **Храните режущие инструменты в чистоте и заточенном состоянии.** Правильно обслуживаемые и хорошо заточенные режущие инструменты меньше заклинивают и лучше контролируются.
- g) **Используйте электроинструмент, ансессуары, насадки и т. п. в соответствии с этими инструкциями, учитывая условия и специфику выполняемой работы.** Использование электроинструмента для выполнения непредусмотренных операций может привести к опасным ситуациям.
- h) **Следите за тем, чтобы рукоятки и поверхности захвата были сухими и чистыми и на них не было масла или смазочного материала.** Скользкие рукоятки и поверхности захвата не позволяют безопасно использовать инструмент и контролировать его в непредвиденных ситуациях.
- 5) **ЭКСПЛУАТАЦИЯ И ОБСЛУЖИВАНИЕ ИНСТРУМЕНТА С ПИТАНИЕМ ОТ АККУМУЛЯТОРА**
- a) **Заряжайте аккумуляторы только с помощью зарядного устройства, указанного изготовителем.** Зарядное устройство, предназначенное для одного типа аккумуляторных батарей, может стать причиной пожара при использовании с другим типом батарей.
- b) **Используйте электроинструмент только со специально предназначенными для него аккумуляторами.** Использование любого другого вида аккумуляторных батарей может стать причиной несчастных случаев или пожара.
- c) **Когда аккумулятор не используется, храните его отдельно от металлических предметов — канцелярских скрепок, монет, ключей, гвоздей, винтов и др. — они могут соединить контакты.** Короткое замыкание контактов аккумуляторной батареи может стать причиной ожогов или пожара.
- d) **При неблагоприятных обстоятельствах из аккумулятора может потечь электролит. Избегайте контакта с ним. При случайном контакте промойте водой. Если жидкость попала в глаза, обратитесь к врачу.** Жидкость из аккумуляторной батареи может вызвать раздражение и ожоги.
- e) **Не используйте аккумулятор и инструмент, если они повреждены или подвергались модификациям.** Поведение поврежденных или модифицированных аккумуляторов может быть непредсказуемым, что приведет к возгоранию, взрыву и риску получения травм.
- f) **Не подвергайте аккумуляторную батарею и инструмент воздействию огня и высокой температуры.** Воздействие огня или температуры выше 130 °C может привести к взрыву.
- g) **Следуйте всем инструкциям по зарядке и не заряжайте аккумулятор и инструмент при температуре, выходящей за пределы указанного диапазона.** Если зарядка выполняется неправильно или в условиях неподходящей температуры, это может привести к повреждению аккумулятора и возгоранию.
- 6) **РЕМОНТ**
- a) **Ремонт электроинструмента должен выполняться квалифицированным специалистом с использованием только идентичных запасных частей.** Это обеспечит безопасную работу электроинструмента.
- b) **Никогда не выполняйте обслуживание поврежденного аккумулятора.** Обслуживание аккумуляторов должно выполняться только производителем или в авторизованном сервисном центре.

ИНСТРУКЦИИ ПО ТЕХНИКЕ БЕЗОПАСНОСТИ ПРИ ИСПОЛЬЗОВАНИИ ЦИРКУЛЯРНОЙ ПИЛЫ

Распиливание

- a) **ОПАСНО! Держите руки подальше от места резки и пильного диска.** При удерживании пилы двумя руками получение травмы в результате пореза невозможно.
- b) **Следите за тем, чтобы ничего не попало под разрезаемый материал.** Щиток не предохраняет от пильного диска под заготовкой.
- c) **Регулируйте глубину пропила в соответствии с толщиной заготовки.** Зубья пилы не должны полностью выступать из-под заготовки.
- d) **Не держите заготовку руками или поперек ноги во время резки.** Закрепите заготовку на устойчивом основании. Необходимо правильно закрепить заготовку, чтобы уменьшить риск получения травмы, заклинивания пильного диска или потери управления.
- e) **При выполнении работ, в ходе которых режущий элемент может касаться скрытой электропроводки, держите инструмент за изолированные поверхности.** Касание провода под напряжением может передать напряжение на металлические детали электроинструмента, и оператор получит удар током.
- f) **Во время продольной резки всегда используйте направляющую планку или угольник.** Это повышает точность распиливания и уменьшает риск заклинивания пильного диска.
- g) **Всегда пользуйтесь пильным диском с монтажным отверстием правильного размера и формы (ромбовидным или круглым).** Пильные диски, которые не соответствуют креплению пилы, будут вращаться эксцентрично, что приведет к потере контроля над инструментом.
- h) **Никогда не используйте для пильного диска поврежденные или неподходящие шайбы или болты.** Шайбы и болты для пильного диска специально разработаны для данной пилы и обеспечивают оптимальную производительность и безопасность.

Причины отдачи и их предупреждение

- Отдача представляет собой внезапную реакцию на зажатие, заедание или смещение пильного диска, при этом неконтролируемая пила выбрасывается из заготовки вверх и может ударить оператора.
- Когда пильный диск зажимается или заклинивается в распиле, он блокируется, и двигатель резко отбрасывает устройство назад в сторону оператора.
- Если пильный диск перекрутился или неправильно выровнен в разрезе, зубцы на заднем краю пильного диска могут врезаться в поверхность материала, вызывая подъем или отскок диска в направлении оператора.

Отдача является результатом неправильного использования инструмента и (или) несоблюдения

инструкций или условий работы. Приведенные ниже меры предосторожности позволяют предотвратить возникновение отдачи.

- a) **Крепко держите инструмент, расположив руки наиболее удобным образом для реакции на отдачу. Держите пилу с любой стороны, но не на одной линии с телом.** В результате отдачи пила может отскочить назад, но оператор может контролировать силу отдачи при соблюдении правил безопасности.
- b) **Если диск заедает или нужно прервать резку по любой причине, выключите инструмент и удерживайте его неподвижно в материале вплоть до полной остановки диска. Во избежание отдачи не пытайтесь извлечь пилу из заготовки или тянуть ее на себя, пока диск находится в движении.** Осмотрите место зажатия и примите необходимые меры, чтобы устранить причину.
- c) **При возобновлении распиливания заготовки установите пильный диск в центре распила и убедитесь, что зубья не зацепились за обрабатываемый материал.** Если пильный диск застрял, при повторном запуске пилы он может рвануться вверх или в сторону оператора.
- d) **Обеспечьте поддержку заготовок большого размера, чтобы уменьшить риск зажатия пильного диска и возникновения отдачи.** Широкие заготовки могут провисать под собственным весом. Под заготовкой следует установить опоры с обеих сторон — вблизи линии реза и у края заготовки.
- e) **Не используйте затупившиеся или поврежденные пильные диски.** При использовании затупившегося или неправильно установленного пильного диска распили получается узким, что приводит к чрезмерному трению, зажатию диска и возникновению отдачи.
- f) **Перед началом резки необходимо надежно зафиксировать ручки регулировки глубины и сноса диска.** Если во время распиливания сбивается настройка пильного диска, это может привести к его зажатю или возникновению отдачи.
- g) **Соблюдайте особую осторожность при распиливании стен или других непросматриваемых областей.** Выступающий пильный диск может распилить предметы, которые способствуют возникновению отдачи.

Функция нижнего щитка

- a) **Проверяйте надежность крепления нижнего щитка перед каждым использованием. Не используйте пилу, если нижний щиток не передвигается свободно и не закрывается мгновенно. Никогда не зажимайте и не фиксируйте нижний щиток в открытом положении.** Случайное падение пилы может привести к деформации щитка. Приподнимите нижний щиток за рукоятку и убедитесь, что он движется свободно и не касается диска и других частей при любых углах и глубине резки.

- b) **Проверьте работу пружины нижнего щитка. Если щиток или пружина не работают должным образом, устранив неисправность перед использованием.** Работа нижнего щитка может быть замедлена в результате повреждения частей, липких отложений или скопившихся загрязнений.
- c) **Нижний щиток можно отвести вручную только для выполнения специальных распилов, таких как «погружные» и «сложные». Приподнимите нижний щиток за рукоятку.** Как только пыльный диск войдет в материал, щиток необходимо отпустить. Во всех остальных режимах резки нижний щиток должен работать автоматически.
- d) **Прежде чем положить пилу на верстак или пол, убедитесь, что нижний щиток закрывает пыльный диск.** Незащищенный движущийся по инерции диск может привести к обратному ходу пилы, при котором будет распилено все, что встретится на ее пути. Помните, что для остановки диска после выключения питания требуется некоторое время.

ДОПОЛНИТЕЛЬНЫЕ ПРЕДУПРЕЖДЕНИЯ ПО ТЕХНИКЕ БЕЗОПАСНОСТИ

ОБЩИЕ ПОЛОЖЕНИЯ

- Данный инструмент не должен использоваться лицами младше 16 лет.
- Этот инструмент непригоден для резки со смачиванием.
- **Не обрабатывайте материалы, содержащие асбест. Асбест считается канцерогенным веществом.**
- Пыль от материалов, таких как краска с содержанием свинца, некоторые породы дерева, минералы и металлы, может быть вредна. Контакт с такой пылью или ее вдыхание может вызвать аллергические реакции и (или) болезнь органов дыхания у оператора или находящегося рядом лиц. **Необходимо надевать респиратор и по возможности использовать пылеулавливающее устройство.**
- Некоторые виды пыли классифицируются как канцерогенные (например, дубовая и буковая пыль), особенно в сочетании с добавками для кондиционирования древесины. **Надевайте респиратор и по возможности используйте пылеулавливающие устройства.**
- При работе с различными материалами следуйте национальным нормативным требованиям в отношении пыли.
- При работе этой пилой нельзя пользоваться пыльным столом.
- Всегда извлекайте аккумулятор перед выполнением любых регулировок или сменой насадок.

ПРИНАДЛЕЖНОСТИ

- Компания SKIL может гарантировать безупречную работу инструмента только при использовании оригинальных принадлежностей.
- Используйте только пыльные диски, соответствующие характеристикам, приведенным в данном руководстве по эксплуатации, а также проверенные и маркированные в соответствии со стандартом EN 847-1, если они предназначены для

- обработки древесины и аналогичных материалов.
- Используйте только такие насадки, допустимая скорость вращения которых по крайней мере равна самой высокой скорости работы устройства без нагрузки.
- **Используйте только пыльные диски и режущие круги диаметром от 115 до 120 мм и с отверстием шпинделя диаметром 9,5 мм.**
- В данном инструменте не допускается применение шлифовальных кругов.
- Соблюдайте осторожность при эксплуатации и хранении принадлежностей.
- Выбирайте подходящие для обрабатываемых материалов пыльные диски.

ПЕРЕД ИСПОЛЬЗОВАНИЕМ

- Остерегайтесь винтов, гвоздей и прочих предметов в заготовке, уберите их перед началом работы.
- Перед началом работы удалите все препятствия как сверху, так и снизу траектории резки.
- **Закрепите заготовку** (наденьте зафиксировать заготовку в зажимном устройстве или в тисках, чем удерживать ее рукой).
- **Для обнаружения скрытых коммуникаций используйте соответствующие датчики или обратитесь за помощью в местное коммунальное предприятие.** Контакт с электропроводкой может привести к пожару или поражению электрическим током, повреждение газопровода может привести к взрыву, а повреждение водопровода может повлечь повреждение имущества или поражение электрическим током.

ВО ВРЕМЯ ИСПОЛЬЗОВАНИЯ

- Уровень шума на рабочем месте может превышать 85 дБ (А). Используйте средства защиты органов слуха.
- Запрещается использовать инструмент без штатной системы предохранительных щитков.
- Не пытайтесь резать слишком маленькие заготовки.
- При работе не поднимайте инструмент выше уровня головы.
- В случае заземления диска или электрической или механической неисправности инструмента немедленно выключите его и извлеките аккумулятор.

ПОСЛЕ ИСПОЛЬЗОВАНИЯ

- Прежде чем положить инструмент, выключите его и убедитесь, что все движущиеся части полностью остановились.
- Не допускается после отключения пилы останавливать вращение режущего диска, прикладывая к нему боковое усилие.

АККУМУЛЯТОРЫ

- Аккумулятор поставляется частично заряженным (чтобы обеспечить полную емкость аккумулятора, перед первым использованием инструмента полностью зарядите аккумулятор с помощью зарядного устройства).
- Используйте с этим инструментом только указанные далее аккумуляторы и зарядные устройства.
 - Аккумулятор SKIL: BR1 *31****
 - Зарядное устройство SKIL: CR1 *31****
- Не используйте поврежденный аккумулятор, его необходимо заменить.
- Не разбирайте аккумулятор.
- Не оставляйте инструмент и аккумулятор под

дождем.

- Допустимая температура окружающей среды (инструмент/зарядное устройство/аккумулятор):
 - при зарядке 4...40 °C
 - при эксплуатации -20...+50 °C
 - при хранении -20...+50 °C

ПОЯСНЕНИЯ К ОБОЗНАЧЕНИЯМ НА ИНСТРУМЕНТЕ И АККУМУЛЯТОРЕ

- ③ Перед использованием ознакомьтесь с инструкциями
- ④ При попадании в огонь аккумулятор может взорваться. Ни в коем случае не сжигайте аккумуляторы.
- ⑤ Храните инструмент, зарядное устройство и аккумулятор в таких местах, где температура не превышает 50 °C.
- ⑥ Не выбрасывайте электроинструменты и аккумуляторы вместе с бытовыми отходами.

ИСПОЛЬЗОВАНИЕ

- Зарядка аккумулятора
 - ! **Ознакомьтесь с предупреждениями и инструкциями по технике безопасности, прилагаемыми к зарядному устройству.**
- Извлечение и установка аккумулятора ②
- Индикатор уровня заряда ⑦
 - Нажмите кнопку индикатора уровня заряда аккумулятора АВ, чтобы увидеть текущий уровень заряда ⑦а.
- Если после нажатия кнопки АВ ⑦b начинает мигать самый нижний индикатор уровня заряда, то аккумулятор разряжен.
- Если после нажатия кнопки АВ ⑦с начинают мигать 2 уровня индикатора заряда, то температура аккумулятора находится за пределами допустимого диапазона рабочих температур.
- Светодиодный индикатор Т ⑧
 - Светодиодный индикатор автоматически начинает светиться, когда инструмент начинает работать.
 - ! **Если светодиод начинает мигать, активируется защита аккумулятора (см. ниже).**
- Защита аккумулятора
 - Инструмент внезапно выключается или не включается, когда:
 - **нагрузка слишком высока** --> уменьшите нагрузку и выполните перезапуск;
 - **температура аккумулятора вышла за пределы допустимого диапазона рабочих температур (от -20 до +50 °C)** --> при нажатии кнопки АВ 7с начинают мигать 2 уровня индикатора уровня заряда. Дождитесь, пока температура аккумулятора вернется в допустимый диапазон рабочих температур;
 - **аккумулятор почти разряжен (для защиты от глубокого разряда)** --> нижний уровень заряда аккумулятора или полная разрядка аккумулятора об отображается индикатором уровня заряда при нажатии кнопки АВ. Зарядите аккумулятор.
 - ! **В случае автоматического выключения инструмента не пытайтесь включить его снова, поскольку при этом может быть поврежден аккумулятор.**
- Установка режущего элемента ②

! Извлеките аккумулятор из инструмента.

- Возьмите шестигранный ключ А из отсека для хранения В.
- Нажмите кнопку блокировки шпинделя F и удерживайте ее нажатой все время, пока вынимаете крепежный болт пильного диска А с помощью вращения шестигранного ключа А ПО ЧАСОВОЙ СТРЕЛКЕ (= в направлении, указанном стрелкой на пильном диске).

! Нажимайте кнопку блокировки шпинделя F только при полной остановке инструмента.

- Отпустите кнопку блокировки шпинделя F.
- Снимите фланец Z.

! Убедитесь, что зажимные поверхности X на фланцах идеально чистые и обращены к пильному диску.

- Откройте нижний щиток W с помощью рычага S и удерживайте его во время установки пильного диска таким образом, чтобы зубцы пилы и стрелка, изображенная на пильном диске, были обращены в том же направлении, что и стрелка на верхнем щитке.

- Отпустите нижний щиток W.

- Установите фланец Z.

- Нажмите кнопку блокировки шпинделя F и удерживайте ее, пока затягиваете болт с помощью шестигранного ключа на 1/8 оборота после затяжки пальцами (гарантирует проскальзывание пильного диска при избыточном сопротивлении материала, что снижает риск перегрузки двигателя и возникновения отдачи).

- Отпустите кнопку блокировки шпинделя F.

• Регулировка глубины резки (0–41 мм) ⑨

- Для обеспечения оптимального качества резки пильный диск не должен выступать из заготовки больше чем на 3 мм.

- Ослабьте ручку Q.

- Поднимите или опустите основание M, чтобы установить желаемую глубину резки с помощью индикатора P.

- Затяните ручку Q.

• Регулировка угла резки (0–45°) ⑩

- Ослабьте ручку U.

- Наклоняйте инструмент, пока на шкале с помощью индикатора V не будет установлен требуемый угол резки.

- Затяните ручку U.

! При резке со скошенной кромкой глубина резки не соответствует значению на соответствующей шкале.

• Указатель линии пропила L ⑪

- Используется для направления инструмента вдоль требуемой линии пропила, размеченной на заготовке.

- При прямой резке под углом 0° или при резке под углом 45° используйте соответствующий указатель.

! Широкая сторона основания должна располагаться на закрепленной части заготовки.

! Ширина резки определяется шириной зубцов пильного диска, а не шириной полотна диска.

! Для проверки фактической линии резки обязательно сделайте пробный пропил.

- Удаление пыли ⑫
Для использования пылесоса выполните следующее.
 - Подсоедините шланг пылесоса к адаптеру для пылесоса Н.
 - ! Следите за тем, чтобы шланг пылесоса не мешал нижнему щитку или процессу резки.
 - ! Не используйте пылесос при резке металла.
- Работа с инструментом
 - Установите аккумулятор.
 - Всегда крепко держите устройство за рукоятку С.
 - Поместите инструмент передним концом основания на заготовку.
 - ! Убедитесь, что зубцы пилы не насаются на заготовку.
 - Включите инструмент, зажав сначала кнопку Е (предохранительный выключатель без блокировки), а затем потянув курковый переключатель D.
 - ! Инструмент не должен работать на полной скорости, пока пильный диск не войдет в заготовку.
 - Нижний щиток W автоматически открывается, когда пильный диск входит в заготовку (открывать нижний щиток вручную с помощью рычага S следует только в особых случаях, например при выполнении погружных распилов).
 - ! Не прикладывайте к инструменту чрезмерных усилий (нажим должен быть легким и равномерным, чтобы зубцы диска не перегрелись).
 - ! Во время работы всегда держите инструмент за поверхности захвата.
 - По окончании резки отключите инструмент, отпустив курковый переключатель D.
 - ! Прежде чем поднимать инструмент с заготовки, убедитесь, что полотно полностью остановилось.

СОВЕТЫ ПО ИСПОЛЬЗОВАНИЮ

- Всегда кладите заготовку лицевой стороной вниз, чтобы обеспечить минимальное количество сколов при резке древесины и аналогичных материалов.
 - Производительность и качество резки в значительной степени зависят от состояния и количества зубцов пильного диска.
 - Используйте только острые пильные диски, подходящие для разрезаемого материала ⑬
 - Используйте пильный диск из закаленной стали АС ② для резки древесины, алюминия, пластика и всех видов многослойной древесины.
 - Используйте алмазный диск AD ② для резки керамики и плитки.
 - Пильные диски с твердосплавными пластинами Y ② служат до 30 раз дольше, чем обычные пильные диски.
 - Параллельная направляющая J ⑭
 - Предназначена для выполнения точной резки вдоль кромки заготовки.
 - Вставьте через прорези на передней части основания.
- Регулировка параллельной направляющей
- Открутите винт К с помощью шестигранного ключа А.

- С помощью шкалы параллельной направляющей настройте требуемую ширину резки (используйте указатель линии пропила L в качестве нулевой опорной линии).
- Затяните винт К.
- Погружной распил ⑮
 - Установите требуемую глубину пропила.
 - Наклоните инструмент вперед, совместив указатель линии пропила L с размеченной на заготовке требуемой линией резки.
 - Откройте нижний щиток W с помощью рычага S.
 - Непосредственно перед тем, как режущий диск войдет в заготовку, включите инструмент и постепенно опускайте задний конец инструмента, используя переднюю кромку основания в качестве оси поворота
 - Постепенно перемещайте инструмент вниз и вперед.
 - Как только диск прорежет материал, отпустите рычаг S.
 - ! Никогда не оттягивайте инструмент назад.
- Резка больших панелей ⑯
 - Создайте опору для панели около линии пропила на полу, на столе или на верстаке.
 - ! Установите глубину пропила таким образом, чтобы прорезать панель, но не опору.
 - Если параллельная направляющая не позволяет установить желаемую ширину резки, прикрепите к заготовке (зажимами или гвоздями) деревянную планку и прижимайте к этой импровизированной направляющей левую сторону основания ⑰.
- Дополнительную информацию см. на сайте www.skil.com

ТЕХНИЧЕСКОЕ ОБСЛУЖИВАНИЕ И УХОД

- Этот инструмент не предназначен для профессионального использования.
- Всегда содержите инструмент в чистоте, особенно вентиляционные отверстия N.
- ! Перед очисткой извлеките из инструмента аккумулятор.
- Всегда очищайте область вокруг нижнего щитка W ② (удаляйте пыль и стружку с помощью сжатого воздуха или щетки).
- Производите чистку режущего диска сразу же после использования (особенно от смолы и клея).
- Если несмотря на тщательность изготовления и испытаний инструмент выйдет из строя, его ремонт должен осуществляться в центре послепродажного обслуживания электроинструментов SKIL.
 - Отправьте инструмент в разобранном виде вместе с документом, подтверждающим покупку, вашему дилеру или в ближайший сервисный центр SKIL. Адреса и сервисная схема инструмента приведены на сайте www.skil.com.
- Имейте в виду, что на повреждения, вызванные перегрузкой или неправильным обращением с инструментом, гарантия не распространяется (условия гарантии SKIL см. на сайте www.skil.com или уточните у дилера).

ЗАЩИТА ОКРУЖАЮЩЕЙ СРЕДЫ

- Не выбрасывайте электроинструменты, аккумуляторы, принадлежности и упаковку вместе с бытовыми отходами (только для стран ЕС).
 - В соответствии с Европейской директивой 2012/19/ЕС об отходах электрического и электронного оборудования и ее выполнении в соответствии с национальным законодательством электрические инструменты, отслужившие свой срок, должны собираться отдельно и доставляться на перерабатывающее предприятие, не наносящее ущерба окружающей среде.
 - Символ  напомним об этом, когда возникнет необходимость в утилизации.
 - Перед утилизацией аккумулятора защитите его клеммы плотной изоляционной лентой для предотвращения короткого замыкания.

УРОВЕНЬ ШУМА И ВИБРАЦИИ

- Измеренный в соответствии со стандартом EN 62841 уровень звукового давления данного инструмента составляет 96 дБ (А), уровень звуковой мощности 107 дБ (А) (погрешность K = 3 дБ), а вибрация *(суммарная трехкомпонентная вибрация; погрешность K = 1,5 м/с²).
 - * Резка древесины < 2,5 м/с^{2v}
 - * Резка металла < 2,5 м/с^{2v}
 - Уровень вибрации был измерен в соответствии со стандартизированным испытанием, содержащимся в EN 62841, и может использоваться для сравнения одного инструмента с другим, а также для предварительной оценки воздействия вибрации при использовании данного инструмента в указанных целях.
 - При использовании инструмента в других целях или с другими либо неисправными принадлежностями уровень вибрации может значительно повышаться.
 - Когда инструмент отключен или работает вхолостую, уровень вибрации может значительно снижаться.
- ! Чтобы защититься от воздействия вибрации, поддерживайте инструмент и его принадлежности в исправном состоянии, держите руки в тепле, а также правильно организовывайте рабочий процесс.**

UA


КОМПАКТНА УНІВЕРСАЛЬНА ПИЛКА З БЕЗПІСНИМ МОТОРОМ

3540

ВСТУП

- Цей інструмент призначений для поздовжнього та поперечного розпилювання деревини, фанери, алюмінію, кахлю, каменю, пластика та легких будівельних матеріалів прямими пропилами, а також під кутом до 45°.
- Цей інструмент не придатний для професійного

використання

- Прочитайте і збережіть цю інструкцію з експлуатації. 

ТЕХНІЧНІ ДАНІ

ЕЛЕМЕНТИ ІНСТРУМЕНТА

- A Шестигранный ключ
- B Контейнер для збереження шестигранного ключа
- C Ручка
- D Пусковий перемикач
- E Аварійний вимикач
- F Кнопка блокування шпинделя
- G Порт пилосбірника
- H Адаптер пилососа
- J Напрямна планка
- K Гвинт для встановлювання прямої планки
- L Показчик лінії різання
- M Покровзень
- N Вентиляційні отвори
- P Індикатор глибини розрізу
- Q Ручка встановлення глибини розпилу
- R Верхній щиток
- S Ручка для відкриття нижнього обмежувача
- T Світлодіодний індикатор
- U Ручка для регулювання кута розрізу
- V Індикатор кута розрізу
- W Нижній обмежувач
- X Встановлювальна поверхня
- Y Твердосплавне лезо
- Z Фланець
- AA Болт кріплення леза
- AB Індикатор рівня заряду акумулятора
- AC Лезо пили з загартованої сталі
- AD Алмазний диск

БЕЗПЕКА

ЗАГАЛЬНІ ПОПЕРЕДЖЕННЯ ЩОДО ТЕХНІКИ БЕЗПЕКИ РОБОТИ З ЕЛЕКТРОІНСТРУМЕНТАМИ

⚠ ПОПЕРЕДЖЕННЯ. Прочитайте всі попередження безпеки, інструкції, ілюстрації та характеристики, надані з цим електроінструментом. Недотримання наведених нижче вказівок може спричинити ураження електричним струмом, пожежу та/або серйозні травми.

Зберігайте всі попередження та інструкції для використання в майбутньому.

Термін «електроінструмент» у попередженнях стосується електричного інструмента, що працює від електромережі (через шнур) або від акумулятора (без шнура).

1) БЕЗПЕКА В РОБОЧІЙ ЗОНІ

- a) **Робоче місце має бути чистим і гарно освітленим.** Неприбрана або погано освітлена робоча зона може стати причиною нещасного випадку.
- b) **Не працюйте з інструментом у вибухонебезпечному середовищі, наприклад за наявності легкозаймистих рідин, газів або пилу.**

- Під час роботи електроприладу утворюються іскри, від яких можуть зайнятися пил або випари.
- c) **Дітям і спостерігачам заборонено перебувати поруч з електроінструментом, що працює.** Це може відволікати вас і призвести до втрати контролю.
- 2) **ЕЛЕКТРИЧНА БЕЗПЕКА**
- a) **Штепсельні вилки електроінструмента мають підходити до розеток. Заборонено модифікувати вилку будь-яким чином. Не використовуйте жодні перехідники для роботи із заземленими електроінструментами.** Використання штепселів і розеток, у які не вносилися зміни, зменшує ризик ураження електричним струмом.
- b) **Уникайте контакту частин тіла із заземленими поверхнями, такими як труби, батареї, плити й холодильники.** У разі заземлення тіла збільшується ризик ураження електричним струмом.
- c) **Бережіть електроінструмент від дощу та вологи.** Вода, що потрапила в електроінструмент, підвищує ризик ураження електричним струмом.
- d) **Поводьтеся обережно зі шнуром живлення. Не використовуйте шнур живлення для перенесення чи перетягування інструмента та виймання вилки з розетки. Бережіть шнур живлення від джерел тепла, мастил, гострих країв та рухомих частин.** Пошкоджені або заплутані шнури живлення підвищують ризик ураження електричним струмом.
- e) **Під час роботи з електроінструментом надворі використовуйте подовжувач, призначений для зовнішніх робіт.** Використання подовжувача, призначеного для зовнішніх робіт, зменшує ризик ураження електричним струмом.
- f) **Якщо роботи з електроінструментом у вологому середовищі не уникнути, скористайтеся пристроєм захисного вимкнення (ПЗВ).** Використання ПЗВ зменшує ризик ураження електричним струмом.
- 3) **ІНДИВІДУАЛЬНА ТЕХНІКА БЕЗПЕКИ**
- a) **Під час роботи з електроінструментом будьте уважними, слідуйте за своїми діями та мисліть розсудливо. Не працюйте з електроінструментом, якщо ви втомлені або перебуваєте під дією наркотичних речовин, алкоголю або ліків.** Навіть миттєва втрата пильності під час роботи з електроінструментами може стати причиною важкої травми.
- b) **Використовуйте засоби особистого захисту. Завжди носіть засоби захисту очей.** Використання у відповідних умовах таких захисних засобів, як протипиловий респіратор, неслизьке захисне взуття, шолом-каска і навушники допоможе зменшити ризик травмування.
- c) **Уникайте випадкового запуску інструмента. Перш ніж підключати електроінструмент до мережі живлення чи акумулятора, брати чи переносити його, перевірте, чи встановлено перемикач у положення «вимкнено».** Якщо переносити електроінструмент, тримаючи палець на вимикачі, або підключати його до джерела живлення, коли вимикач перебуває в положенні «увімкнено», це може призвести до травмування.
- d) **Перш ніж вмикати електроінструмент, слід зняти всі регульовальні клинці або гайкові ключі.** Якщо залишити такий ключ на рухомій частині електроінструмента, це може призвести до травмування.
- e) **Не дотгайтесь. Завжди міцно стійте на ногах і втримуйте рівновагу.** Це дає змогу краще керувати електроінструментом у разі виникнення непередбачуваних ситуацій.
- f) **Стежте за тим, щоб волосся та одяг не потрапили на рухомі частини.** Вільний одяг, біжутерія або довге волосся можуть потрапити в рухомі частини.
- g) **Якщо пристрої обладнано системою видалення пилу, переконайтеся, що її правильно підключено і що ви використовуйте її належним чином.** Використання пристрою для збирання пилу може зменшити небезпеку, пов'язану з пилом.
- h) **Не дозволяйте навичкам, отриманим після частого використання інструментів, змусити вас стати самовпевненими та ігнорувати принципи безпеки інструмента.** Недбала дія може спричинити серйозну травму протягом доли секунди.
- 4) **ВИКОРИСТАННЯ ТА ДОГЛЯД ЗА ЕЛЕКТРОІНСТРУМЕНТОМ**
- a) **Не застосовуйте силу до електроінструмента. Використовуйте належний електроінструмент відповідно до потреби.** Правильно підібраний електроінструмент допоможе краще і безпечніше зробити роботу зі швидкістю, яка для неї передбачена.
- b) **Не використовуйте електроінструмент, якщо перемикач не вмикає або не вимикає його.** Усі електроінструменти, якими неможливо керувати за допомогою перемикача, становлять небезпеку й підлягають ремонту.
- c) **Перш ніж проводити будь-які налаштування, замінювати аксесуари або перед зберіганням слід вимкнути штепсель із джерела живлення та/або вийняти з інструмента акумулятор, якщо він знімний.** Такі запобіжні заходи техніки безпеки зменшують ризик випадкового запуску електроінструмента.
- d) **Зберігайте інструменти, що не використовуються, подалі від дітей і не дозволяйте особам, які не мають досвіду роботи з такими інструментами або не знайомі з цією інструкцією, користуватись електроінструментом.** Електроінструменти становлять небезпеку в руках недосвідчених користувачів.
- e) **Доглядайте за електроінструментами та аксесуарами. Перевіряйте їх на предмет розладнання чи блонування рухомих частин, а також будь-яких обставин, які можуть вплинути на роботу електроінструмента.** У разі пошкодження електроінструменту слід здати в ремонт, перш ніж користуватися ним. Часто нещасні випадки трапляються внаслідок неналежного технічного обслуговування електроінструментів.
- f) **Тримайте ріжучі інструменти гострими й чистими.** Належним чином доглянуті ріжучі

інструменти з гострими ріжучими краями рідше блокуються, і ними легше керувати;

- g) Користуйтеся електроінструментом, аксесуарами та насадками для інструмента згідно з цією інструкцією, зважаючи на робочі умови та роботу, яку слід виконати.** Використання електроінструмента не за призначенням може стати причиною виникнення небезпечних ситуацій.
- h) Підтримуйте руків'я та захватні поверхні сухими, чистими, без жиру і бруду.** Слизькі ручки та захватні поверхні не дають змоги безпечно тримати та керувати інструментом у непередбачених ситуаціях.
- 5) КОРИСТУВАННЯ І ДОГЛЯД ЗА АКУМУЛЯТОРНИМ ІНСТРУМЕНТОМ**
 - a) Заряджайте лише за допомогою зарядного пристрою, указаного виробником.** Зарядний пристрій, який підходить для акумуляторів одного виду, може спричинити ризик пожежі у випадку його використання з іншим акумулятором.
 - b) З електроінструментами слід використовувати лише призначені для них акумуляторні батареї.** Використання будь-яких інших акумуляторних батарей може призвести до травми або пожежі.
 - c) Коли батарея не використовується, її слід тримати окремо від металевих предметів, наприклад затисначів для паперу, монет, ключів, цвяхів, шурупів та інших дрібних предметів, які можуть замкнути клема.** Коротке замикання клем акумулятора може стати причиною опіків чи пожежі.
 - d) У надто важких умовах експлуатації з акумулятора може витікати рідина; не доторкайтесь до неї.** Якщо випадково ви все ж торкнулися її, слід промити це місце водою. Якщо рідина потрапила в очі, слід також звернутися до лікаря. Рідина, яка виступає з акумулятора, може спричинити подразнення або опіки.
 - e) Не використовуйте акумуляторну батарею або інструмент, які пошкоджені або змінені.** Пошкоджені або змінені батареї можуть мати непередбачувану поведінку, що може спричинити пожежу, вибух або ризик травмування.
 - f) Не піддавайте акумуляторну батарею або інструмент дії вогню або високої температур.** Вогонь або температура вище 130 °C може спричинити вибух.
 - g) Дотримуйтеся усіх інструкцій щодо заряджання та не заряджайте акумуляторну батарею або інструмент за межами температурного діапазону, зазначеного в інструкціях.** Зарядження неналежним чином або при температурах за межами вказаного діапазону може пошкодити акумулятор і збільшити ризик виникнення пожежі.
- 6) СЕРВІС**
 - a) Обслуговування електроінструмента повинен виконувати кваліфікований ремонтник із використанням лише ідентичних запасних частин.** Це забезпечить нормальну роботу електроінструмента.
 - b) Ніколи не ремонтуйте пошкоджені акумулятори.** Сервісне обслуговування акумуляторних батарей має виконувати лише виробник або авторизовані

постачальники послуг.

ВКАЗІВКИ З ТЕХНІКИ БЕЗПЕКИ ДЛЯ ДИСКОВОЇ ПИЛИ

Процедури різання

- a) НЕБЕЗПЕНА.** Тримайте руки подалі від місця різання та леза. Якщо тримати пилу обома руками, ви не зможете порізатися лезом.
- b) Не просовуйте руки під заготовку.** Обмежувач не захистить вас від леза під заготовкою.
- c) Відрегулюйте глибину різання відповідно до товщини заготовки.** Зубці пили мають лише частково виглядати з-під заготовки.
- d) Ніколи не тримайте заготовку в руках або поперек ноги під час різання.** Закріпіть заготовку на стійкій платформі. Важливо правильно розташувати заготовку, щоб звести до мінімуму можливість контакту пили з частинами тіла, заїдання леза пили або втрати контролю.
- e) Під час роботи, коли робочий інструмент може зачепити заховану електропроводку, тримайте електроінструмент за ізольовані рукоятки.** Контакт із дротом під напругою призведе до появи напруги в металевих частинах електроінструмента, що може призвести до ураження оператора електричним струмом.
- f) Під час розпилювання завжди використовуйте напрямну планку або напрямну для краю.** Це підвищує точність різання та знижує ймовірність заклинювання леза.
- g) Завжди використовуйте леза з правильним розміром і формою (ромбоподібні або круглі) отворів для осі.** Леза, що не відповідають монтажному обладнанню пили, рухатимуться не по центрі, що призведе до втрати контролю.
- h) Ніколи не використовуйте пошкоджені шайби або болти леза.** Шайби та болт леза були спеціально розроблені для вашої пили, щоб забезпечити оптимальну продуктивність і безпеку роботи.

Причини віддачі та відповідні попередження

- Віддача - це неочікувана реакція на защемлення, заїдання або неправильне центрування леза пили, що викликає неконтрольованих рух пили вгору від заготовки та в напрямку оператора
- Коли лезо защемлене або міцно застрягло в розрізі деревини, воно перестає обертатись, тож мотор спричиняє швидкий рух інструмента назад у напрямку оператора
- Якщо лезо зігнулося в розрізі або погано відцентроване, зубці в задній частині пили можуть глибоко входити в поверхню деревини, в результаті чого лезо виходить з розрізу та відлітає назад в напрямку оператора.

Віддача – це результат неправильного використання пили та недотримання належної техніки та умов експлуатації; цьому можна запобігти, як зазначено нижче.

- a) Міцно тримайте пилу і розмістіть руки так, щоб протистояти силі віддачі. Станьте з будь-якого боку від леза, але не на одній лінії з лезом. Віддача може призвести до того, що пила відскочить назад, але сила віддачі може контролюватися оператором, якщо вжито належних запобіжних заходів.
- b) Коли лезо заїдає або з будь-якої причини перериває різання, відпустіть нурок і утримуйте пилу нерухомо в матеріалі, доки лезо не зупиниться повністю. Ніколи не намагайтеся прибрати пилу із заготовки або витягнути пилу назад, коли лезо перебуває в русі, інакше може статися віддача. Дослідіть і виконайте коригувальні дії для усунення причини заклинювання леза.
- c) Під час перезапуску пили в заготовці розмістіть лезо пили по центру в пропилі так, щоб зубці пили не входили в матеріал. Якщо лезо зблизи заїдає, воно може піднятися або відскочити від заготовки під час перезапуску пили.
- d) Закріплюйте великі панелі, щоб мінімізувати ризик защемлення леза та віддачі. Великі панелі мають здатність прогинатися під власною вагою. Опори мають бути розміщені під панеллю з обох боків, поблизу лінії різання та біля краю панелі.
- e) Не використовуйте тупі або пошкоджені леза. Не заточені або неправильно встановлені леза утворюють вузький розріз та викликають надмірне тертя, спричиняючи заїдання леза та віддачу.
- f) Фіксуєчи важелі регулювання глибини леза та скоус мають бути затягнуті та надійно закріплені перед різанням. Якщо регулювання леза зміщується під час різання, це може призвести до заїдання та віддачі.
- g) Будьте особливо обережні під час розпилювання в стінах або в інших місцях, у які ви не можете зазирнути. Виступаюче лезо може розрізати предмети, що може спричинити віддачу.

Функція нижнього обмежувача

- a) Перед кожним використанням перевіряйте правильність закриття нижнього обмежувача. Забороняється використовувати пилку, якщо нижній обмежувач не рухається вільно та одразу не закривається. Забороняється фіксувати чи прив'язувати нижній обмежувач у відкритому положенні. Якщо пилка випадково впала, нижній обмежувач може зігнутися. Підніміть нижній обмежувач за допомогою рукоятки, що втягується, і переконайтеся, що він переміщується вільно і не торкається леза або будь-якої іншої деталі при будь-яких кутах і глибинах різання.
- b) Перевірте роботу пружини нижнього обмежувача. Якщо обмежувач і пружина не працюють належним чином, їх необхідно відремонтувати перед використанням. Нижній обмежувач може працювати повільно через пошкоджені деталі, смолисті відкладення або скупчення сміття.
- c) Нижній обмежувач можна прибрати вручну лише для особливих пропилів, таких як «занурувальні пропили» та «складні пропили». Підніміть нижній

обмежувач за рукоятку, що втягується, і коли лезо ввійде в матеріал, нижній обмежувач має бути звільнений. Для інших видів пиляння нижній обмежувач має працювати автоматично.

- d) Завжди стежте за тим, щоб нижній обмежувач закривав лезо, перед тим як ставити пилу на лавку або підлогу. Лезо без обмежувача, що рухається за інерцією, змусить пилу рухатися назад, зрізаючи все на своєму шляху. Зважайте на час, необхідний для зупинки леза після відпускання перемикача.

ДОДАТКОВІ ВКАЗІВКИ З ТЕХНІКИ БЕЗПЕКИ

ЗАГАЛЬНЕ

- Цей інструмент не можна використовувати особам віком до 16 років
- Цей інструмент не підходить для мокрого розпилювання
- Не обробляйте матеріали, що містять асбест (асбест вважається канцерогенним)
- Пил від таких матеріалів, як фарба з вмістом свинцю, деякі породи дерева, мінерали й метал, може бути шкідливим (контакт із таким пилом або його вдихання може стати причиною виникнення в оператора або осіб, що перебувають поруч, алергійних реакцій і/або респіраторних захворювань); надягайте респіратор і працюйте з пиловидальючим пристроєм під час роботи з інструментом
- Деякі види пилу класифікуються як канцерогенні (наприклад, дубовий або буковий пил), особливо в сполученні з добавками для кондиціонування деревини; надягайте респіратор і працюйте з пиловидальючим пристроєм під час роботи з інструментом
- Дотримуйтеся інструкцій із роботи з матеріалами, що утворюють пил
- Не використовуйте цю пилку в комбінації з розпилювальним столом
- Виймайте акумулятор з інструмента перед виконанням будь-яких регулювань або замінування частин та приладдя

АНКСЕСУАРИ

- SKIL гарантує надійну роботу інструмента тільки при використанні відповідного приладдя
- Використовуйте лише леза пили, що відповідають характеристикам, зазначеним в цій інструкції, перевірені за EN 847-1 та мають відповідне маркування, якщо вони призначені для деревини та деревних матеріалів.
- Використовуйте лише приладдя, припустима швидкість обертання якого як мінімум відповідає найвищій швидкості інструмента без навантаження
- Використовуйте тільки леза пили/відрізи кола з мінімальним діаметром 115 мм, максимальним діаметром 120 мм та отвором шпинделя 9,5 мм.
- Ніколи не використовуйте в цьому інструменті шліфувальні диски
- Поводьтеся та зберігайте аксесуари обережно
- Визначте відповідне лезо пилу, яке буде використовуватися з матеріалом, що розрізається.

ПЕРЕД ВИКОРИСТАННЯМ

- Не допускайте пошкоджень, які можуть нанести шрупи, цвяхи та інші елементи вашої заготовки; видаліть їх перед початком роботи

- Перш ніж почати розпилювання, видаліть всі перешкоди на поверхні та під лінією розпили
- **Зафіксуйте оброблювану деталь** (оброблювана деталь, зафіксована за допомогою затискних пристроїв або лежат, закріплюється краще, ніж вручну)
- **Використовуйте придатні пошукові прилади для знаходження захованих в будівлі труб та кабелів або зверніться за допомогою в місцеве підприємство електро-, газо- та водопостачання** (зачеплення електропроводки може призводити до пожежі та удару електричним струмом; зачеплення газової труби може призводити до вибуху; зачеплення водопровідної труби може завдати шкоди матеріальним цінностям або призводити до удару електричним струмом)

ПІД ЧАС ВИКОРИСТАННЯ

- Рівень шуму при роботі може перевищувати 85 дБ(а); використовуйте навушники
- Ніколи не використовуйте цей інструмент без оригінальної системи захисних обмежувачів
- Не намагайтеся розрізати дуже маленькі заготовки
- При розпилюванні не тримайте пилу над головою
- У разі заклинювання або електричної чи механічної несправності негайно вимкніть інструмент і вийміть акумулятор.

ПІСЛЯ ВИКОРИСТАННЯ

- Коли ви закінчили роботу з інструментом, вимкніть мотор і переконайтеся, що всі рухомі частини повністю зупинилися
- Після вимкнення дискової пили ніколи не намагайтеся зупинити обертання його леза, застосовуючи до нього бокові зусилля

БАТАРЕЇ

- Акумулятор, який постачається в комплекті, є частково зарядженим (повністю зарядіть акумулятор у зарядному пристрої перед першим використанням свого електроінструмента, щоб забезпечити повну потужність акумулятора)
- Використовуйте з інструментом тільки такі акумулятори і зарядні пристрої
 - Акумулятор SKIL: BR1*31****
 - Зарядний пристрій SKIL: CR1*31****
- Не використовуйте пошкоджений акумулятор; його треба замінити
- Не розбирайте акумулятор
- Виключіть можливість потрапляння дощу на інструмент або акумулятор
- Дозволена температура довкілля (інструмент/зарядні пристрої/акумулятор):
 - під час зарядження 4...40°C
 - під час роботи -20...+50°C
 - під час зберігання -20...+50°C

П'ЯСНЕННЯ ДО УМОВНИХ ПОЗНАЧЕНЬ НА ІНСТРУМЕНТІ/АКУМУЛЯТОРІ

- ③ Перед використанням прочитайте інструкцію із застосування
- ④ При влученні у вогонь батареї вибухають, тому в жодному разі не спалюйте батареї
- ⑤ Зберігайте інструмент/зарядні пристрої/акумулятор при температурі не більшій 50°C
- ⑥ Не викидайте електроінструмент і батареї разом зі звичайним сміттям

ВИКОРИСТАННЯ

- Зарядження акумулятора
 - ! **ознайомтеся з попередженнями і вказівками з техніки безпеки, які надаються із зарядним пристроєм**
 - Зняття/установлення акумулятора ②
 - Індикатор рівня заряду акумулятора ⑦
 - натисніть кнопку індикатора рівня заряду акумулятора АВ, щоб побачити поточний рівень заряду ⑦а
 - ! **коли найнижчий рівень індикатора заряду акумулятора блимає після натискання кнопки АВ ⑦b, акумулятор розряджено**
 - ! **коли 2 рівні індикатора заряду акумулятора починають блимати після натискання кнопки АВ ⑦c, акумулятор перебуває за межами допустимого діапазону робочих температур**
 - Світлодіодний індикатор Т ⑥
 - Світлодіодний індикатор автоматично загоряється, коли інструмент починає працювати
 - ! **коли світлодіод починає блимати, активується захист акумулятора (див. нижче)**
 - Захист акумулятора
 - Інструмент раптово вимикається або не вмикається, якщо
 - **навантаження занадто високе** -> приберіть навантаження і перезапустіть
 - **температура акумулятора не перебуває в допустимому діапазоні робочих температур від -20 до +50°C** --> 2 рівні індикатора заряду акумулятора починають блимати під час натискання кнопки АВ 7c; зачекайте, доки акумулятор не повернеться в допустимий діапазон робочих температур
 - **батарею майже розряджено (для захисту від глибокого розряду)** --> низький рівень заряду батареї або блимання низького рівня заряду батареї ub показано індикатором рівня заряду батареї під час натискання кнопки АВ; зарядіть акумулятор
 - ! **не продовжуйте роботу та не натискайте вмикач після автоматичного вимкнення інструмента; такими діями можна пошкодити акумулятор**
 - Підготовка леза пилки ②
 - ! **виймайте акумулятор з інструмента**
 - візьміть шестигранний ключ А з контейнера В
 - натисніть кнопку блокування шпинделя F та утримуйте її, доки не знімете болт леза AA, повертаючи шестигранний ключ А ЗА ГОДИННИЦЮВУ СТІЛКОЮ (= у напрямку стрілки, зображеної на лезі пили)
 - ! **натискайте кнопку блокування шпинделя F, тільки коли жодний елемент інструмента не рухається**
 - відпустіть кнопку блокування шпинделя F
 - видаліть фланець Z
 - ! **перехайтеся, що затисні поверхні X фланців ідеально чисті та звернені до леза**
 - відкрийте нижній обмежувач W за допомогою важеля S та утримуйте його, поки ви монтуєте лезо пилки, встановлюючи його таким чином, щоб зубці пили та стрілка на лезі вказували в тому ж напрямку, що й стрілка на верхньому обмежувачі

- відпустіть нижній обмежувач W
- установіть фланець Z
- натисніть кнопку блокування шпинделя F та утримуйте її, доки не затягнете болт леза шестигранний ключем на 1/8 оберту після того, як доводиться докладати ручного зусилля (забезпечте проковзування леза пили, коли воно стикається з надмірним опором, що забезпечує зменшення перевантаження мотора та віддачі пили)
- відпустіть кнопку блокування шпинделя F
- Регулювання глибини розпилу (0–41 мм) ⑨
 - для отримання оптимальної якості розпилювання лезо пили не повинно виглядати з-під заготовки більше, ніж на 3 мм
 - послабте ручку Q
 - підніміть/опустіть притиску пластину M до встановлення необхідної глибини розрізу на шкалі за допомогою індикатора P
 - затягніть ручку Q
- Регулювання кута розпилу (0–45°) ⑩
 - послабте ручку U
 - нахиліть інструмент до отримання необхідного кута розрізу, що встановлюється на шкалі за допомогою індикатора V
 - затягніть ручку U

! під час фацетування глибина розрізу не відповідає значенню глибини розрізу, що встановлене на шкалі
- Показчик лінії різання L ⑪
 - для спрямування інструменту поздовж необхідній лінії розрізу, яка накреслена на заготовці
 - для прямого розрізання під кутом 0° або фацетування (45°) використовуйте відповідну лінію індикатора

! широка частина притисної пластини має спиратися на частину заготовки, що міститься на опорі

! ширина розрізу визначається шириною зубців пили, а не шириною самого полотна пили

! завжди спочатку робіть пробні розпили, щоб перевірити лінію пропили
- Пиловловлювання ⑫

Щоб користуватись пиლოსосом, необхідно

 - підключить шланг пиლოსоса до адаптера пиლოსоса H

! не допускайте, щоб шланг пиლოსоса заважав функціонуванню нижнього обмежувача або розпилюванню

! не використовуйте пиლოსос під час різання металу
- Використання інструменту
 - встановіть батарею
 - завжди міцно тримайте ручку C
 - поставте інструмент передньою частиною притисної пластини на заготовку

! переконайтеся, що зубці пили не застрягли в заготовці

 - увімкніть інструмент, спочатку натиснувши ручку E (= аварійний вимикач, який не можна вимкнути), а потім потягнувши за тригер D

! перш ніж лезо пили торкнеться заготовки, інструмент має працювати на повну швидкість

 - нижній обмежувач W відкривається автоматично,

коли лезо пили торкається заготовки (тільки в разі виконання особливого розрізу, такого як врізання, можна відкрити нижній обмежувач вручну за допомогою важеля S)

! використовуючи інструмент, не докладайте надмірного зусилля (зусилля має бути помірним та постійним, щоб запобігти перегірванню вістря леза)

! під час роботи завжди тримайте інструмент за області захвату

- виконавши розпил, вимкніть інструмент, відпустивши тригер D

! перед видаленням інструмента з оброблюваної поверхні переконайтеся, що пила остаточно зупинилась

ПОРАДИ ПО ВИКОРИСТАННЮ

- Завжди спрямовуйте заготовку лицьовою стороною вниз, щоб забезпечити мінімальну кількість сколів під час розпилювання деревини та деревоподібних матеріалів.
- Продуктивність пиляння та якість різання значною мірою залежать від стану та кількості зубців леза пили.
- Використовуйте тільки гострі леза пили, які підходять для матеріалу, що розрізається ⑬
 - використовуйте лезо пили із загартованої сталі AC ② для нарізання дерева, алюмінію, пластику і всіх видів багатощарової деревини
 - використовуйте алмазне лезо пили AD ② для нарізання кераміки та кахлів
 - твердосплавні леза Y ② залишаються гострими в 30 разів довше, ніж звичайні леза
- Напрямна планка J ⑭
 - для точного розпилювання заготовки по всій її довжині
 - вставте через прорізи в передній частині притисної пластини
 - встановлювання напрямної планки
 - послабте гвинт K за допомогою шестигранного ключа A
 - використовуючи шкалу напрямної планки, встановіть необхідну ширину розпилу (використовуйте показчик лінії різання L як основу для рівного пропили)
 - затягніть гвинт K
- Врізне пиляння ⑮
 - встановіть необхідну глибину врізання
 - нахиліть інструмент уперед таким чином, щоб показчик лінії різання L збігався з лінією необхідного розрізу, яка відзначена на заготовці
 - відкритий нижній обмежувач W за допомогою важеля S
 - перш ніж лезо торкнеться заготовки, увімкніть інструмент та поступово опускайте задню частину інструмента, використовуючи передню частину притисної пластини як точку шарніра
 - поступово переміщуйте інструмент донизу та вперед
 - як тільки лезо торкнеться матеріалу, відпустіть важіль S

! ніколи не відтягуйте інструмент назад
- Розрізання великих панелей ⑯

- забезпечте опору панелі, яка має бути розташована біля лінії розрізу та спиратися на підлогу, на стіл або на верстат

! встановіть глибину розрізу таким чином, щоб розрізати панель, а не опору

- якщо напрямна планка не дозволяє виконати розріз потрібної ширини, прикріпіть або прибийте цвяхами до заготовки прямої дерев'яну планку в якості напрямної та притискайте до неї лівий бік притискної пластини ①

- Дивіться додаткову інформацію на сайті www.skil.com

ДОГЛЯД/ОБСЛУГОВУВАННЯ

- Цей інструмент не придатний для промислового використання
- Завжди тримайте інструмент у чистоті (особливо вентиляційні отвори N)
- ! виймайте акумулятор з інструмента перед очищенням**
- Тримайте область навколо нижнього обмежувача W ② в чистоті (видаляйте пил та стружки за допомогою стисненого повітря або щітки)
- Прочистіть лезо пили негайно після використання (особливо від залишків резини та клею)
- Якщо незважаючи на ретельну технологію виготовлення і перевірки інструмент все-таки вийде з ладу, його ремонт дозволяється виконувати лише в авторизованій сервісній майстерні для електроприладів SKIL
 - надішліть нерозібраний інструмент разом із доказом купівлі до свого дилера або до найближчого центру обслуговування SKIL (адреси, а також схема для обслуговування пристрою, подаються на сайті www.skil.com)
- Візьміть до відома, що ушкодження внаслідок перевантаження або неналежного поводження з інструментом не будуть включені в гарантію (умови гарантії SKIL див. на сайті www.skil.com або довідайтеся в дилера у Вашому регіоні)

ОХОРОНА ДОВКІЛЛЯ

- Не викидайте електроінструмент, акумулятори, аксесуари та упаковку разом зі звичайним сміттям (тильки для країн ЄС)
 - відповідно до європейської директиви 2012/19/ЄС щодо утилізації старих електричних та електронних приладів, згідно з місцевим законодавством, електроінструмент, який перебував в експлуатації, має бути утилізований окремо, безпечним для довкілля шляхом
 - символ ③ нагадує вам про це, коли виникне необхідність в утилізації
- ! перед тим як позбутись акумулятора: заклейте грубою клейкою стрічкою клемки, щоб запобігти короткому замиканню**

ШУМ / ВІБРАЦІЯ

- Рівень звукового тиску цього інструмента, який вимірюється відповідно до EN 62841, становить 96 дБ(A), рівень звукової потужності 107 дБ(A) (похибка K = 3 дБ), а вібрація (векторна сума трьох осей;

похибка K = 1,5 м/с²)

* розпилювання деревини < 2.5 м/с²

* розпилювання металу < 2.5 м/с²

- Рівень вібрації було виміряно у відповідності зі стандартизованим випробуванням, що міститься в EN 62841; дана характеристика може використовуватися для порівняння одного інструмента з іншим, а також для попередньої оцінки впливу вібрації під час застосування даного інструмента для вказаних цілей
 - у разі використання інструмента в інших цілях або з іншими/несправними допоміжними пристосуваннями рівень впливу вібрації може значно підвищуватися
 - у періоди, коли інструмент вимкнений або функціонує без фактичного виконання роботи, рівень впливу вібрації може значно знижуватися
- ! захищайте себе від впливу вібрації, підтримуючи інструмент і його допоміжні пристосування в справному стані, підтримуючи руки в теплі, а також правильно обмежуючи свій робочий процес**

GR

Κόμπακτ πριόνι πολλαπλών χρήσεων

3540

ΕΙΣΑΓΩΓΗ

- Αυτό το εργαλείο προορίζεται για διαμήκεις και εγκάρσιες κοπές ξύλου, μοριοσανίδας, κοντραπλακέ, αλουμινίου, πλακιδίων, πέτρας, πλαστικού και ελαφρών δομικών υλικών σε ευθεία, όπως και υπό γωνία έως 45 μοίρων
- Αυτό το εργαλείο δεν προορίζεται για επαγγελματική χρήση.
- Διαβάστε και φυλάξτε αυτό το χειρίδιο οδηγιών. ③

ΤΕΧΝΙΚΑ ΧΑΡΑΚΤΗΡΙΣΤΙΚΑ ①

ΣΤΟΙΧΕΙΑ ΤΟΥ ΕΡΓΑΛΕΙΟΥ ②

- A Εξάγωνο κλειδί
- B Θήκη αποθήκευσης εξάγωνου κλειδιού
- C Λαβή
- D Διακόπτης σκανδάλη
- E Διακόπτης ασφαλείας
- F Κομπι ασφάλισης της απράκτου
- G Θύρα εξαγωγής σκόνης
- H Προσαρμογέας ηλεκτρικής σκούπας
- J Οδηγός παράλληλης κοπής
- K Βίδα ρύθμισης οδηγού παράλληλης κοπής
- L Ένδειξη γραμμής κοπής
- M Πλάκα πέλατος
- N Σχισμές αερισμού
- P Ένδειξη βάθους κοπής
- Q Κομπι ρύθμισης βάθους πριονίσματος
- R Άνω προστατευτικό
- S Μοχλός για το άνοιγμα του κάτω προστατευτικού
- T Λυχνία LED

- U Κουμπί ρύθμισης γωνίας κοπής
- V Ένδειξη γωνίας κοπής
- W Κάτω προστατευτικό
- X Επιφάνεια σύσφιξης
- Y Πριονόλαμα με άκρα καρβιδίου
- Z Φλάντζα
- AA Μπουλόνι λάμας
- AB Κουμπί ένδειξης κατάστασης μπαταρίας
- AC Πριονόλαμα σκληρυμένου χάλυβα
- AD Ρομβοειδής δίσκος κοπής

ΑΣΦΑΛΕΙΑ

ΓΕΝΙΚΕΣ ΠΡΟΕΙΔΟΠΟΙΗΣΕΙΣ ΑΣΦΑΛΕΙΑΣ ΓΙΑ ΗΛΕΚΤΡΙΚΑ ΕΡΓΑΛΕΙΑ

Α ΠΡΟΕΙΔΟΠΟΙΗΣΗ Μελετήστε όλες τις προειδοποιήσεις ασφάλειας, τις οδηγίες, τις εικόνες και τις προδιαγραφές που συνοδεύουν αυτό το ηλεκτρικό εργαλείο. Εάν δεν τηρηθούν όλες οι οδηγίες που αναφέρονται παρακάτω, μπορεί να προκληθεί ηλεκτροπληξία, πυρκαγιά και/ή σοβαρός τραυματισμός.

Φυλάξτε όλες τις προειδοποιήσεις και τις οδηγίες για μελλοντική αναφορά.

Ο όρος «ηλεκτρικό εργαλείο» στις προειδοποιήσεις αναφέρεται στο ηλεκτρικό σας εργαλείο, το οποίο λειτουργεί είτε με σύνδεση σε πρίζα (ενσύρματα) είτε με συστοιχία μπαταριών (ασύρματα).

1) ΑΣΦΑΛΕΙΑ ΣΤΟ ΧΩΡΟ ΕΡΓΑΣΙΑΣ

- a) Διατηρείτε το χώρο εργασίας καθαρό και καλά φωτισμένο. Οι ακατάστατοι χώροι και οι χώροι με κακό φωτισμό ενισχύουν την πιθανότητα ατυχημάτων.
- b) Μην χρησιμοποιείτε ηλεκτρικά εργαλεία σε εκρηκτική ατμόσφαιρα, να παράδειγμα, παρουσία εύφλεκτων υγρών, αερίων ή σκόνης. Τα ηλεκτρικά εργαλεία δημιουργούν σπινθήρες που μπορεί να αναφλέξουν τη σκόνη ή τις αναθυμιάσεις.
- c) Διατηρείτε τα παιδιά και τους παρευρισκόμενους μακριά, όταν χρησιμοποιείτε το ηλεκτρικό εργαλείο. Εάν κάτι αποσπάσει την προσοχή σας, μπορεί να χάσετε τον έλεγχο.

2) ΗΛΕΚΤΡΙΚΗ ΑΣΦΑΛΕΙΑ

- a) Το φως του ηλεκτρικού εργαλείου πρέπει να ταιριάζει στην πρίζα. Μην τροποποιήσετε ποτέ και με κανέναν τρόπο το φως. Μην χρησιμοποιείτε κανενός είδους φως προσαρμογέων με γειωμένα ηλεκτρικά εργαλεία. Τα μη τροποποιημένα φως και οι κατάλληλες πρίζες μειώνουν τον κίνδυνο ηλεκτροπληξίας.
 - b) Αποφεύγετε την επαφή με γειωμένες επιφάνειες, όπως σωλήνες, θερμαντικά σώματα, εστίες και ψυγεία. Υπάρχει αυξημένος κίνδυνος ηλεκτροπληξίας όταν το σώμα σας είναι γειωμένο.
 - c) Μην εκθέτετε τα ηλεκτρικά εργαλεία σε βροχή ή υγρασία. Εάν εισχωρήσει νερό στο ηλεκτρικό εργαλείο θα αυξηθεί ο κίνδυνος ηλεκτροπληξίας.
 - d) Μην κακομεταχειρίζεστε το καλώδιο. Μην χρησιμοποιείτε ποτέ το καλώδιο για να μεταφέρετε, να τραβήξετε ή να αποσυνδέσετε το ηλεκτρικό εργαλείο από την πρίζα. Διατηρείτε το καλώδιο μακριά από θερμότητα, λάδια, αιχμηρές γωνίες ή κινούμενα εξαρτήματα. Τα κατεστραμμένα ή μπλεγμένα καλώδια αυξάνουν τον κίνδυνο ηλεκτροπληξίας.
- e) Όταν χρησιμοποιείτε ένα ηλεκτρικό εργαλείο σε εξωτερικό χώρο, χρησιμοποιείτε καλώδιο προέκτασης κατάλληλο για χρήση σε εξωτερικούς χώρους. Τα καλώδια που είναι κατάλληλα για εξωτερικούς χώρους περιορίζουν τον κίνδυνο ηλεκτροπληξίας.
 - f) Εφόσον δεν μπορείτε να αποφύγετε τη χρήση του ηλεκτρικού εργαλείου σε περιοχή με υγρασία, χρησιμοποιήστε τροφοδοσία με διάταξη προστασίας ρεύματος διαρροής (RCD). Η χρήση διάταξης RCD μειώνει τον κίνδυνο ηλεκτροπληξίας.
- #### 3) ΠΡΟΣΩΠΙΚΗ ΑΣΦΑΛΕΙΑ
- a) Να βρίσκεστε πάντα σε εγρήγορση, να προσέχετε τι κάνετε και να εφαρμόζετε κοινή λογική όταν χρησιμοποιείτε ηλεκτρικά εργαλεία. Μην χρησιμοποιείτε κανένα ηλεκτρικό εργαλείο όταν είστε κουρασμένοι ή υπό την επήρεια ναρκωτικών, αλκοόλ ή φαρμάκων. Όταν χρησιμοποιείτε ηλεκτρικά εργαλεία, μια στιγμή απροσεξίας μπορεί να προκαλέσει σοβαρό τραυματισμό.
 - b) Χρησιμοποιείτε μέσα ατομικής προστασίας. Φοράτε πάντα προστατευτικά γυαλιά. Τα μέσα ατομικής προστασίας, όπως η μάσκα σκόνης, τα αντιολισθητικά παπούτσια, το κράνος ή η ωτοπροστασία, που χρησιμοποιούνται στις κατάλληλες περιπτώσεις, μειώνουν τον κίνδυνο τραυματισμών.
 - c) Λαμβάνετε μέτρα για να μην ενεργοποιηθεί κατά λάθος το ηλεκτρικό εργαλείο. Βεβαιώστε ότι ο διακόπτης βρίσκεται στη θέση απενεργοποίησης (OFF) προτού να συνδέσετε το ηλεκτρικό εργαλείο στο ρεύμα και/ή στη συστοιχία μπαταριών, ή όταν σηκώνετε ή μεταφέρετε το εργαλείο. Μην μεταφέρετε το ηλεκτρικό εργαλείο με το δάκτυλο στο διακόπτη και μην συνδέετε το ηλεκτρικό εργαλείο στην πρίζα με ανοικτό το διακόπτη, διότι ενέχει κίνδυνος ατυχήματος.
 - d) Προτού ενεργοποιήσετε το ηλεκτρικό εργαλείο, αφαιρείτε οποιοδήποτε εργαλείο ή κλειδί ρύθμισης. Εάν το εργαλείο ή το κλειδί ρύθμισης παραμείνει επάνω στο περιστρεφόμενο μέρος του ηλεκτρικού εργαλείου, μπορεί να προκληθεί τραυματισμός.
 - e) Μην τεντώνετε υπερβολικά για να πραγματοποιήσετε την εργασία. Πατάτε πάντα σταθερά και διατηρείτε την ισορροπία σας. Έτσι θα ελέγχετε καλύτερα το ηλεκτρικό εργαλείο σε περίπτωση απροσδόκων καταστάσεων.
 - f) Διατηρείτε τα μαλλιά και τα ρούχα σας μακριά από κινούμενα μέρη. Τα φαρδιά ρούχα, τα κοσμήματα ή τα μακριά μαλλιά ενδέχεται να εμπλακούν σε κινούμενα μέρη.
 - g) Εάν υπάρχει δυνατότητα σύνδεσης συσκευών απομάκρυνσης και συλλογής σκόνης, βεβαιωθείτε ότι αυτές οι συσκευές έχουν συνδεθεί και χρησιμοποιούνται σωστά. Αυτές οι συσκευές μπορούν να περιορίσουν τους κίνδυνους που σχετίζονται με τη σκόνη.
 - h) Ακόμα κι εάν χρησιμοποιείτε συχνά ηλεκτρικά

εργαλεία, μην εφησυχάζετε και μην παραβλέπετε τις βασικές αρχές ασφαλείας. Μια στιγμή απροσεξίας μπορεί να οδηγήσει σε σοβαρό τραυματισμό.

4) ΧΡΗΣΗ ΚΑΙ ΦΡΟΝΤΙΔΑ ΤΟΥ ΗΛΕΚΤΡΙΚΟΥ ΕΡΓΑΛΕΙΟΥ

- a) **Μην ζορίζετε το ηλεκτρικό εργαλείο.** Χρησιμοποιείτε το κατάλληλο ηλεκτρικό εργαλείο για την εκάστοτε εργασία. Η εργασία θα πραγματοποιηθεί καλύτερα και ασφαλέστερα, εφόσον χρησιμοποιηθεί το κατάλληλο ηλεκτρικό εργαλείο στην ταχύτητα για την οποία έχει σχεδιαστεί.
- b) **Μην χρησιμοποιήσετε το ηλεκτρικό εργαλείο εάν δεν μπορείτε να το ενεργοποιήσετε και να το απενεργοποιήσετε από τον διακόπτη.** Οποιοδήποτε ηλεκτρικό εργαλείο δεν επιδέχεται έλεγχο από το διακόπτη είναι επικίνδυνο και απαιτεί επισκευή.
- c) **Αποσυνδέστε το φίδ από την πηγή τροφοδοσίας και/ή αφαιρείτε τη συστοιχία μπαταριών, εφόσον είναι αποσπώμενη, από το ηλεκτρικό εργαλείο προτού να κάνετε οποιαδήποτε ρύθμιση, αλλάξετε παρελκόμενα ή το αποθηκεύσετε.** Χάρη σε τέτοια προληπτικά μέτρα περιορίζεται ο κίνδυνος να ενεργοποιηθεί κατά λάθος το ηλεκτρικό εργαλείο.
- d) **Αποθηκεύετε τα ηλεκτρικά εργαλεία που δεν χρησιμοποιείτε σε μέρος όπου δεν έχουν πρόσβαση τα παιδιά και μη αφήνετε άτομα που δεν είναι εξοικειωμένα με το ηλεκτρικό εργαλείο ή αυτές τις οδηγίες να το χρησιμοποιήσουν.** Τα ηλεκτρικά εργαλεία είναι επικίνδυνα στα χέρια ατόμων που δεν έχουν εκπαιδευτεί στη χρήση τους.
- e) **Συντηρείτε τα ηλεκτρικά εργαλεία και τα παρελκόμενα.** Ελέγχετε για κακή ευθυγράμμιση ή εμπλοκή των κινούμενων μερών, για σπασμένα εξαρτήματα και για οποιαδήποτε άλλη κατάσταση που μπορεί να επηρεάσει τη λειτουργία του ηλεκτρικού εργαλείου. Εάν έχει υποστεί ζημιά το ηλεκτρικό εργαλείο, επισκευάστε το προτού να το χρησιμοποιήσετε. Πολλά ατυχήματα οφείλονται σε πλημμελώς συντηρημένα ηλεκτρικά εργαλεία.
- f) **Διατηρείτε τα εργαλεία κοπής αιχμηρά και καθαρά.** Τα εργαλεία κοπής που έχουν συντηρηθεί σωστά και διαθέτουν αιχμηρές κόψεις είναι λιγότερο πιθανό να μπλοκάρουν, ενώ ο έλεγχός τους είναι ευκολότερος.
- g) **Χρησιμοποιείτε το ηλεκτρικό εργαλείο, τα παρελκόμενα, τις μύτες, κτλ., σύμφωνα με αυτές τις οδηγίες, λαμβάνοντας υπόψη τις συνθήκες εργασίας και την προς εκτέλεση εργασία.** Η χρήση ενός ηλεκτρικού εργαλείου για λειτουργίες διαφορετικές από αυτές για τις οποίες προορίζεται μπορεί να οδηγήσει σε επικίνδυνες καταστάσεις.
- h) **Διατηρείτε τις λαβές και τις επιφάνειες συγκράτησης του εργαλείου στεγνές και καθαρές, χωρίς λάδια και γράσα.** Εάν γλιστρούν οι λαβές και οι επιφάνειες συγκράτησης δε θα μπορέσετε να χειριστείτε με ασφάλεια το εργαλείο, ούτε θα μπορέσετε να το ελέγξετε σε περίπτωση που προκύψει κάποια απροσδόκητη κατάσταση.

5) ΧΡΗΣΗ ΚΑΙ ΦΡΟΝΤΙΔΑ ΗΛΕΚΤΡΙΚΩΝ ΕΡΓΑΛΕΙΩΝ ΜΠΑΤΑΡΙΑΣ

- a) **Επαναφορτίζετε το ηλεκτρικό εργαλείο μόνο με το φορτιστή που έχει καθορίσει ο κατασκευαστής.** Οι φορτιστές που είναι κατάλληλοι για έναν

συγκεκριμένο τύπο συστοιχίας μπαταριών μπορεί να προκαλέσουν πυρκαγιά εάν χρησιμοποιηθούν για κάποιον άλλον τύπο.

- b) **Χρησιμοποιείτε το ηλεκτρικό εργαλείο μόνο με τη συγκεκριμένη συστοιχία μπαταριών που προορίζεται για αυτό.** Εάν χρησιμοποιηθεί οποιαδήποτε άλλη συστοιχία μπαταριών, μπορεί να προκληθεί τραυματισμός και πυρκαγιά.
 - c) **Όταν η συστοιχία μπαταριών δεν χρησιμοποιείται, φυλάσσετε την μακριά από μεταλλικά αντικείμενα, όπως, συνδετήρες, κέρματα, κλειδιά, καρφιά, βίδες ή άλλα μικρά μεταλλικά αντικείμενα, τα οποία μπορεί να δημιουργήσουν σύνδεση μεταξύ των ακροδεκτών.** Το βραχυκύκλωμα των ακροδεκτών της συστοιχίας μπαταριών μπορεί να προκαλέσει εγκαύματα ή πυρκαγιά.
 - d) **Σε συνθήκες κακής χρήσης, μπορεί να διαρρεύσει υγρό από τη συστοιχία μπαταριών.** Αποφύγετε την επαφή με αυτό. Σε περίπτωση τυχαίας επαφής, ξεπλύνετε καλά με νερό. Εάν το υγρό έρθει σε επαφή με τα μάτια, απευθυνθείτε επιπρόσθετα σε γιατρό. Το υγρό που διαρρέει από τη συστοιχία μπαταριών μπορεί να προκαλέσει ερεθισμό ή εγκαύματα.
 - e) **Μην χρησιμοποιείτε τη συστοιχία μπαταριών ή το εργαλείο εάν έχουν υποστεί ζημιά ή έχουν τροποποιηθεί.** Οι συστοιχίες μπαταριών που έχουν υποστεί ζημιά ή έχουν τροποποιηθεί μπορεί να έχουν απρόβλεπτη συμπεριφορά και να προκαλέσουν πυρκαγιά, έκρηξη ή τραυματισμό.
 - f) **Η συστοιχία μπαταριών και το ηλεκτρικό εργαλείο δεν πρέπει να εκτίθενται σε φωτιά ή υπερβολικά υψηλές θερμοκρασίες.** Η έκθεση σε φωτιά ή θερμοκρασία πάνω από 130 °C μπορεί να προκαλέσει έκρηξη.
 - g) **Θηρείτε όλες τις οδηγίες φόρτισης και μη φορτίζετε τη συστοιχία μπαταριών ή το ηλεκτρικό εργαλείο εκτός του εύρους θερμοκρασίας που καθορίζεται στις οδηγίες.** Εάν η φόρτιση δε γίνει σωστά ή πραγματοποιηθεί σε θερμοκρασία εκτός του καθορισμένου εύρους, η συστοιχία μπαταριών μπορεί να υποστεί ζημιά και να αυξηθεί ο κίνδυνος πυρκαγιάς.
- #### 6) ΣΕΡΒΙΣ
- a) **Το ηλεκτρικό εργαλείο πρέπει να επισκευάζεται μόνο από εξειδικευμένο επαγγελματία, χρησιμοποιώντας μόνο πανομοιότυπα ανταλλακτικά.** Έτσι, το ηλεκτρικό σας εργαλείο θα παραμείνει ασφαλές.
 - b) **Μην επιχειρήσετε ποτέ να επισκευάσετε συστοιχία μπαταριών που έχει υποστεί ζημιά.** Η συστοιχία μπαταριών πρέπει να επισκευάζεται μόνο από τον κατασκευαστή ή από εξουσιοδοτημένα κέντρα σέρβις.

ΟΔΗΓΙΕΣ ΑΣΦΑΛΕΙΑΣ ΓΙΑ ΔΕΞΤΡΟΧΕΙΑ

Διαδικασίες κοπής

- a) **ΚΙΝΔΥΝΟΣ: Διατηρείτε τα χέρια μακριά από την περιοχί κοπής και τη λάμα.** Εάν κρατάτε το πρίονι και με τα δύο χέρια, δεν κινδυνεύουν να κοπούν με τη

λάμα.

- b) Μην βάζετε τα χέρια σας κάτω από το τεμάχιο επεξεργασίας.** Το προστατευτικό δεν μπορεί να σας προστατεύσει από τη λάμα κάτω από το τεμάχιο επεξεργασίας.
- c) Προσαρμόστε το βάθος κοπής στο πάχος του τεμαχίου επεξεργασίας.** Κάτω από το τεμάχιο επεξεργασίας πρέπει να φαίνεται λιγότερο από μια ολόκληρη οδόντωση των οδοντώσεων της λάμας.
- d) Ποτέ μην κρατάτε το τεμάχιο επεξεργασίας στα χέρια σας ή πάνω από τα πόδια σας ενώ κόβετε. Ασφαλίστε το τεμάχιο επεξεργασίας σε μια σταθερή βάση.** Είναι σημαντικό να υποστηρίξετε σωστά το τεμάχιο επεξεργασίας, ώστε να ελαχιστοποιηθεί η έκθεση του σώματος, το μπλοκάρισμα της λάμας ή η απώλεια ελέγχου.
- e) Κρατάτε το ηλεκτρικό εργαλείο από τις μονωμένες λαβές, όταν πραγματοποιείτε εργασίες όπου το εργαλείο κοπής μπορεί να έρθει σε επαφή με κρυφές καλωδιώσεις.** Η επαφή με ηλεκτροφόρα καλώδια ενδέχεται να καταστήσει τα εκτεθειμένα μεταλλικά μέρη του ηλεκτρικού εργαλείου επίσης ηλεκτροφόρα, με συνέπεια να προκληθεί ηλεκτροπληξία στο χειριστή.
- f) Κατά την απόσχιση, χρησιμοποιείτε πάντα οδηγό απόσχισης ή οδηγό ευθείας ακμής.** Έτσι βελτιώνεται η ακρίβεια κοπής και μειώνεται η πιθανότητα μπλοκαρίσματος της λάμας.
- g) Χρησιμοποιείτε πάντοτε λάμες με το κατάλληλο μέγεθος και σχήμα (ρομβοειδείς έναντι στρόγγυλων) οπών άξονα.** Οι λάμες που δεν ταιριάζουν με το υλικό εγκατάστασης του πριονιού θα αποκλίνουν από το κέντρο, προκαλώντας απώλεια ελέγχου.
- h) Ποτέ μην χρησιμοποιείτε φθαρμένες ή λάθος ροδέλες ή μπουλόνια λαμών.** Οι ροδέλες και τα μπουλόνια των λαμών είναι ειδικά σχεδιασμένα για το πριόνι σας, με σκοπό τη βέλτιστη απόδοση και ασφάλεια λειτουργίας.

Αιτίες αντιλάκτισης και σχετικές προειδοποιήσεις

- Η αντιλάκτιση είναι μια ξαφνική αντίδραση σε μια μαγκωμένη, μπλοκαρισμένη ή λάθος ευθυγραμμισμένη πριονολάμα, που προκαλεί ανεξέλεγκτη ανύψωση και έξοδο του πριονιού από το τεμάχιο επεξεργασίας με κατεύθυνση προς το χειριστή.
- Όταν η λάμα είναι σφικτά μαγκωμένη ή μπλοκαρισμένη στην εγκοπή που κλείνει, η λάμα παρεμποδίζεται και η αντίδραση του κινητήρα ωθεί τη μονάδα με ταχύτητα προς το χειριστή.
- Εάν η λάμα συστραφεί ή ευθυγραμμιστεί λάθος στην εγκοπή, η οδόντωση στην πίσω άκρη της λάμας μπορεί να διεισδύσει στην επάνω επιφάνεια του ξύλου, προκαλώντας την έξοδο της λάμας από την εγκοπή και την εξώθησή της με δύναμη προς το χειριστή.

Η αντιλάκτιση αποτελεί συνέπεια λανθασμένης χρήσης ή λάθος διαδικασιών ή συνθηκών χειρισμού του πριονιού και μπορεί να αποφευχθεί, λαμβάνοντας τα κατάλληλα προληπτικά μέτρα, όπως περιγράφεται παρακάτω.

- a) Διατηρείτε σταθερή λαβή στο πριόνι και τοποθετείτε τα χέρια σας με τέτοιο τρόπο, ώστε να αντισταθείτε στις δυνάμεις αντιλάκτισης. Τοποθετείτε το σώμα σας σε οποιαδήποτε πλευρά της λάμας, ωστόσο ποτέ σε ευθεία με αυτήν.** Η αντιλάκτιση μπορεί να ωθήσει το πριόνι απότομα προς τα πίσω, ωστόσο οι δυνάμεις αντιλάκτισης μπορούν να ελεγχθούν από το χειριστή, εφόσον ληφθούν τα κατάλληλα μέτρα.
- b) Όταν η λάμα είναι μαγκωμένη ή η κοπή διακόπτεται για οποιοδήποτε λόγο, αποδεσμεύετε τη σκανδάλη ενεργοποίησης και διατηρείτε ακίνητο το πριόνι μέσα στο υλικό, ώσπου να ακινητοποιηθεί πλήρως η λάμα. Μην επιχειρήσετε ποτέ να αφαιρέσετε το πριόνι από το τεμάχιο επεξεργασίας ή να τραβήξετε το πριόνι προς τα πίσω ενώ η λάμα κινείται, γιατί μπορεί να προκληθεί αντιλάκτιση.** Διερευνήστε και λάβετε διορθωτικά μέτρα για να εξαλείψετε την αιτία του μαγκώματος λάμας.
- c) Κατά την επανεκκίνηση ενός πριονιού μέσα στο τεμάχιο επεξεργασίας, κεντράρετε τη πριονολάμα στην κοπή με τέτοιο τρόπο, ώστε οι οδοντώσεις του πριονιού να μην μαγκώσουν στο υλικό.** Εάν η πριονολάμα μαγκώσει, μπορεί να σκαρφαλώσει στο τεμάχιο επεξεργασίας ή να προκληθεί αντιλάκτιση καθώς επανεκκινείται το πριόνι.
- d) Υποστηρίξτε τα μεγάλα πάλαι προκειμένου να ελαχιστοποιείτε τον κίνδυνο μαγκώματος ή αντιλάκτισης της λάμας.** Τα μεγάλα πάλαι τείνουν να «κάνουν κοιλιά» λόγω του βάρους τους. Οι υποστηρίξεις πρέπει να τοποθετούνται κάτω από το πάλαι και στις δύο πλευρές, κοντά στη γραμμή κοπής και στην άκρη του πάλαι.
- e) Μη χρησιμοποιείτε στομωμένες ή φθαρμένες λάμες.** Οι ατρόχιστες ή λάθος τοποθετημένες λάμες δημιουργούν ρηχή εγκοπή που προκαλεί υπερβολική τριβή, εμπλοκή της λάμας και αντιλάκτιση.
- f) Οι μοχλοί ασφάλισης ρύθμισης βάθους λάμας και λοξοτομής πρέπει να είναι καλά συσφιγμένοι και ασφαλείς προτού πραγματοποιήσετε την κοπή.** Εάν η ρύθμιση της λάμας μεταποτιστεί κατά τη διάρκεια της κοπής, μπορεί να προκληθεί μάγκωμα και αντιλάκτιση.
- g) Να είστε ιδιαίτερα προσεκτικοί κατά το πριόνισμα σε υπάρχοντες τοίχους ή άλλες τυφλές περιοχές.** Η λάμα που προεξέχει μπορεί να κόψει αντικείμενα που μπορεί να προκαλέσουν αντιλάκτιση.

Λειτουργία του κάτω προστατευτικού

- a) Ελέγχετε το κάτω προστατευτικό για σωστό κλείσιμο πριν από κάθε χρήση. Μην χειρίζεστε το πριόνι εάν το κάτω προστατευτικό δεν κινείται ελεύθερα και κλείνει αμέσως. Ποτέ μην σταθεροποιείτε ή δεσμεύετε το κάτω προστατευτικό στην ανοιχτή θέση.** Εάν το πριόνι πέσει κατά λάθος, το κάτω προστατευτικό μπορεί να στραβώσει. Σηκώστε το κάτω προστατευτικό με τη λαβή ανάρωσης και εξασφαλίστε ότι κινείται ελεύθερα και δεν αγγίζει τη λάμα ή οποιοδήποτε άλλο εξάρτημα, σε όλες τις γωνίες και τα βήθη κοπής.
- b) Ελέγξτε τη λειτουργία του ελατηρίου του κάτω**

προστατευτικού. Εάν το προστατευτικό και το ελατήριο δεν λειτουργούν σωστά, τότε απαιτείται η συντήρησή τους πριν από τη χρήση. Το κάτω προστατευτικό μπορεί να λειτουργεί με δυσκολία λόγω φθαρμένων εξαρτημάτων, κολλωδών εναποθέσεων ή συσσώρευσης υπολειμμάτων.

- c) Το κάτω προστατευτικό μπορεί να ανασυρθεί χειροκίνητα μόνο για ειδικές κοπές όπως «βυθισμένες κοπές» ή «πολλαπλές κοπές». Σηκώστε το κάτω προστατευτικό από τη λαβή ανασυρσης και μόλις η λάμα εισέλθει στο υλικό, αποδεσμεύστε το κάτω προστατευτικό. Για όλα τα υπόλοιπα είδη κοπής, το κάτω προστατευτικό πρέπει να λειτουργεί αυτόματα.
- d) **Βεβαιώστε ότι το κάτω προστατευτικό καλύπτει τη λάμα προτού να αποθέσετε το πριόνι στον πάγκο ή το δάπεδο.** Μια απροστάτευτη λάμα που κινείται ελεύθερα μπορεί να προκαλέσει μετακίνηση του πριονιού προς τα πίσω, κόβοντας ότι συναντάει στη διαδρομή του. Λαμβάνετε υπόψη το χρόνο που χρειάζεται η λάμα να σταματήσει αφότου αποδεσμευτεί ο διακόπτης.

ΕΠΙΠΡΟΣΘΕΤΕΣ ΥΠΟΔΕΙΞΕΙΣ ΑΣΦΑΛΕΙΑΣ

ΓΕΝΙΚΑ

- Αυτό το εργαλείο δεν πρέπει να χρησιμοποιείται από άτομα κάτω των 16 ετών
- Αυτό το εργαλείο δεν είναι κατάλληλο για υγρή κοπή
- Μην κατεργάζεστε υλικά που περιέχουν αμιάντο (ο αμιάντος θεωρείται καρκινογόνος)**
- Η σκόνη από υλικά, όπως βαφές που περιέχουν μόλυβδο, ορισμένα είδη ξύλου, ορυκτά και μέταλλα μπορεί να είναι επιβλαβή (η επαφή ή η εισπνοή της σκόνης μπορεί να προκαλέσει αλλεργικές αντιδράσεις ή/και αναπνευστικές ασθένειες στο χειριστή ή σε παριστάμενους). **Φοράτε μάσκα προστασίας από τη σκόνη και χρησιμοποιείτε συσκευή αναρρόφησης σκόνης, εφόσον επιδέχεται σύνδεση**
- Ορισμένα είδη σκόνης ταξινομούνται ως καρκινογόνα (όπως σκόνη από δρυ ή οξιά) ιδιαίτερα σε συνδυασμό με πρόσθετα συντήρησης ξύλου. Φοράτε μάσκα προστασίας από τη σκόνη και χρησιμοποιείτε συσκευή αναρρόφησης σκόνης, εφόσον επιδέχεται σύνδεση
- Ακολουθείτε τις σχετικές με σκόνη εθνικές διατάξεις για τα υλικά που θέλετε να χρησιμοποιήσετε
- Μην χρησιμοποιείτε αυτό το πριόνι σε συνδυασμό με πάγκο πριονιού
- Αφαιρείτε την μπαταρία από το ηλεκτρικό εργαλείο προτού να κάνετε οποιαδήποτε ρύθμιση ή αλλάξετε παρελκόμενα

ΠΑΡΕΛΚΟΜΕΝΑ

- Η SKIL εγγυάται την απρόσκοπτη λειτουργία του ηλεκτρικού εργαλείου μόνο εφόσον χρησιμοποιούνται γνήσια παρελκόμενα
- Χρησιμοποιείτε μόνο πριονολάμες που ανταποκρίνονται στα τεχνικά χαρακτηριστικά που αναφέρονται σε αυτές τις οδηγίες χρήσης, οι οποίες έχουν ελεγχθεί και επιστημονικά σύμφωνα με το πρότυπο EN 847-1, εφόσον προορίζονται για ξύλο και παρόμοια υλικά.
- Χρησιμοποιείτε μόνο παρελκόμενα των οποίων η επιτρεπόμενη ταχύτητα ισούται τουλάχιστον με τη μέγιστη ταχύτητα χωρίς φορτίο του ηλεκτρικού εργαλείου

- Χρησιμοποιείτε μόνο πριονολάμες/πριονοδίσκους με ελάχιστη διάμετρο 115 mm, μέγιστη διάμετρο 120 mm και οπή ατράκτου 9,5 mm**
- Μην χρησιμοποιείτε ποτέ δίσκους τροχίσματος με αυτό το ηλεκτρικό εργαλείο
- Χειρίζεστε και αποθηκεύετε τα παρελκόμενα με προσοχή
- Επιλέγετε την κατάλληλη πριονολάμα για το υλικό που πρόκειται να κοπεί.

ΠΡΙΝ ΑΠΟ ΤΗ ΧΡΗΣΗ

- Αποφεύγετε ζημιές από βίδες, καρφία και άλλα στοιχεία που ενδέχεται να υπάρχουν στο τεμάχιο επεξεργασίας, αφαιρώντας τα προτού ξεκινήσετε την εργασία
- Αφαιρείτε όλα τα εμπόδια επάνω και κάτω από τη γραμμή κοπής, προτού να ξεκινήσετε την κοπή
- Ασφαλίστε το τεμάχιο επεξεργασίας (αυτό συγκρατείται καλύτερα με σφιγκτήρες ή μέγνηνη σε αντίθεση με τα χέρια)
- Χρησιμοποιείτε κατάλληλες συσκευές ανίχνευσης για να εντοπίσετε κρυφές γραμμές ρεύματος, αερίου ή νερού ή επικοινωνήστε με τις τοπικές επιχειρήσεις κοινής ωφελείας για βοήθεια (η επαφή με καλώδια ρεύματος μπορεί να οδηγήσει σε πυρκαγιά ή ηλεκτροπληξία, ενώ οι ζημιές σε αγωγούς αερίου μπορεί να οδηγήσουν σε έκρηξη, και η διάτρηση ενός σωλήνα νερού θα προκαλέσει υλικές ζημιές ή ηλεκτροπληξία)

ΚΑΤΑ ΤΗ ΔΙΑΡΚΕΙΑ ΤΗΣ ΧΡΗΣΗΣ

- Το επίπεδο θορύβου κατά τη διάρκεια της εργασίας μπορεί να ξεπεράσει τα 85 dB(A), συνεπώς θα πρέπει να χρησιμοποιείτε ωτοασπίδες
- Μην χρησιμοποιείτε ποτέ το εργαλείο σας χωρίς τον γνήσιο προστατευτικό σύστημα
- Μην επιχειρήσετε να κόψετε εξαιρετικά μικρά τεμάχια επεξεργασίας
- Μην χρησιμοποιείτε το εργαλείο σε ύψος πάνω από το κεφάλι σας
- Σε περίπτωση εμπλοκής, ηλεκτρικής ή μηχανικής δυσλειτουργίας, απενεργοποιήστε αμέσως το ηλεκτρικό εργαλείο και αφαιρέστε τη συστοιχία μπαταριών

ΜΕΤΑ ΤΗ ΧΡΗΣΗ

- Όταν πρόκειται να αποθηκεύσετε το ηλεκτρικό εργαλείο, απενεργοποιείτε τον κινητήρα και βεβαιώστε ότι όλα τα κινούμενα μέρη του έχουν ακινητοποιηθεί πλήρως
- Αφού απενεργοποιήσετε το δισκοπρίονο, μην επιχειρήσετε ποτέ να σταματήσετε την περιστροφή της πριονολάμας εφαρμόζοντας εγκάρσια δύναμη σε αυτήν

ΜΠΑΤΑΡΙΕΣ

- Η παρεχόμενη συστοιχία μπαταριών είναι μερικώς φορτισμένη (για να διασφαλιστεί η μέγιστη ισχύς της συστοιχίας μπαταριών, φορτίστε την πλήρως με τον φορτιστή της πριν από τη χρήση του ηλεκτρικού εργαλείου σας για πρώτη φορά)
- Χρησιμοποιείτε μόνο τις ακόλουθες συστοιχίες μπαταριών και τους φορτιστές
 - Συστοιχία μπαταριών SKIL: BR1*31****
 - Φορτιστής SKIL: CR1*31****
- Μην χρησιμοποιείτε τη συστοιχία μπαταριών όταν έχει υποστεί βλάβη. Πρέπει να την αντικαθιστάτε
- Μην αποσυναρμολογείτε τη συστοιχία μπαταριών
- Μην εκθέτετε το εργαλείο / τη συστοιχία μπαταριών στη βροχή
- Επιτρεπόμενη θερμοκρασία περιβάλλοντος (εργαλείο/φορτιστής/συστοιχία μπαταριών):

- κατά τη φόρτιση 4...40°C
- κατά τη διάρκεια της λειτουργίας -20...+50°C
- κατά τη διάρκεια της αποθήκευσης -20...+50°C

ΕΠΕΞΗΓΗΣΗ ΣΥΜΒΟΛΩΝ ΣΤΟ ΕΡΓΑΛΕΙΟ / ΤΗΝ ΜΠΑΤΑΡΙΑ

- Διαβάστε το εγχειρίδιο οδηγιών πριν από τη χρήση
- Οι συστοιχίες μπαταριών εκρηγνύνται εάν απορριφθούν στη φωτιά, συνεπώς, μην καίτε τις μπαταρίες για κανένα λόγο
- Αποθηκεύετε το εργαλείο / το φορτιστή / τη συστοιχία μπαταριών σε μέρη όπου η θερμοκρασία δεν θα ξεπεράσει τους 50°C
- Μην απορριπτετε τα ηλεκτρικά εργαλεία και τις συστοιχίες μπαταριών στα οικιακά απορρίμματα

ΧΡΗΣΗ

- Φόρτιση της συστοιχία μπαταριών
! διαβάστε τις προειδοποιήσεις ασφαλείας και τις οδηγίες που παρέχονται με το φορτιστή
- Απομάκρυνση/τοποθέτηση της συστοιχία μπαταριών ②
- Ένδειξη κατάστασης μπαταρίας ⑦
 - πιέστε το κουμπί ένδειξης κατάστασης μπαταρίας AB για να εμφανίσετε την τρέχουσα κατάσταση της μπαταρίας ⑦a
 - ! εάν αρχίσει να αναβοσβήνει το κατώτατο επίπεδο της ένδειξης κατάσταση μπαταρίας μετά το πάτημα του κουμπιού AB ⑦b, τότε η μπαταρία είναι άδεια**
 - ! εάν αρχίσουν να αναβοσβήνουν 2 επίπεδα της ένδειξης κατάσταση μπαταρίας μετά το πάτημα του κουμπιού AB ⑦c, τότε η μπαταρία δε βρίσκεται εντός του επιτρεπόμενου εύρους θερμοκρασίας λειτουργίας**
- Λυχνία LED T ⑧
Η λυχνία LED ανάβει αυτόματα μόλις ενεργοποιηθεί το ηλεκτρικό εργαλείο
! όταν η λυχνία LED αρχίζει να αναβοσβήνει, ενεργοποιείται η προστασία μπαταρίας (βλ. παρακάτω)
- Προστασία συστοιχίας μπαταριών
Το εργαλείο απενεργοποιείται ξαφνικά ή δεν επιδέχεται ενεργοποίηση όταν
 - το φορτίο είναι υπερβολικά υψηλό --> αφαιρέστε φορτίο και επανεκκινήστε
 - η θερμοκρασία της μπαταρίας δεν βρίσκεται εντός του επιτρεπόμενου εύρους θερμοκρασίας λειτουργίας -20 έως +50°C --> 2 επίπεδα της ένδειξης κατάσταση μπαταρίας αρχίζουν να αναβοσβήνουν με το πάτημα του κουμπιού AB 7c. Περιμένετε ώσπου η μπαταρία να επανέλθει εντός του επιτρεπόμενου εύρους θερμοκρασίας λειτουργίας
 - η μπαταρία έχει σχεδόν αδειάσει (για προστασία από βαθιά εκφόρτιση) --> ανάβει ή αναβοσβήνει χαμηλή στάθμη μπαταρίας ub δίπλα στην ένδειξη κατάσταση μπαταρίας με το πάτημα του κουμπιού AB. Φορτίστε την μπαταρία
 - ! μην συνεχίσετε να πατάτε το διακόπτη ενεργοποίησης/απενεργοποίησης μετά την αυτόματη απενεργοποίηση του εργαλείου, διότι μπορεί να προκληθεί βλάβη στη συστοιχία μπαταριών**
- Τοποθέτηση της προιονόλαμας ②
! αφαιρέστε τη συστοιχία μπαταριών από το

εργαλείο

- πάρτε το εξάγωνο κλειδί A από τη θήκη αποθήκευσης B
- πιέστε το κουμπί ασφάλισης της ατράκτου F και κρατήστε το πατημένο καθώς αφαιρείτε το μπουλόνι της λάμας AA, μετακινώντας το εξάγωνο κλειδί A ΔΕΞΙΟΣΤΡΟΦΑ (δηλαδή, στην ίδια κατεύθυνση με το βέλος που υπάρχει επάνω στην προιονόλαμα)
- ! πιέζετε το κουμπί ασφάλισης της ατράκτου F μόνο όταν το εργαλείο είναι ακινητοποιημένο**
- αποδεσμεύστε το κουμπί ασφάλισης της ατράκτου F
- αφαιρέστε τη φλάντζα Z
- ! βεβαιωθείτε ότι οι επιφάνειες σύσφιξης X των φλαντζών είναι εντελώς καθαρές και στραμμένες προς τη λάμα**
- ανοίξτε το κάτω προστατευτικό W με το μοχλό S και κρατάτε το καθώς τοποθετείτε την προιονόλαμα, με τις οδοντώσεις και το βέλος που υπάρχει σε αυτήν να δείχνουν προς την ίδια κατεύθυνση με το βέλος που υπάρχει επάνω στο επάνω προστατευτικό
- αποδεσμεύστε το κάτω προστατευτικό W
- τοποθετήστε τη φλάντζα Z
- πιέστε το κουμπί ασφάλισης της ατράκτου F και κρατήστε το πατημένο καθώς συσφίγγετε το μπουλόνι της λάμας με το εξάγωνο κλειδί κατά 1/8 μιας πλήρους περιστροφής πέρα από το σημείο σύσφιξης με το χέρι (έτσι διασφαλίζεται το γλιστρήμα της λάμας όταν αντιμετωπίσει υπέρμετρη αντίσταση, αποφεύγοντας με τον τρόπο αυτό την υπερφόρτωση του κινητήρα και την αντιλκτική του προιονιού)
- αποδεσμεύστε το κουμπί ασφάλισης της ατράκτου F
- Ρύθμιση βάθους κοπής (0-41 mm) ⑨
 - για βέλτιστη ποιότητα κοπής, η προιονόλαμα δεν πρέπει να προεξέχει πάνω από 3 mm κάτω από το τεμάχιο επεξεργασίας
 - χαλαρώστε το κουμπί Q
 - ανασκώστε/χαμηλώστε το πέλαμα M ώσπου να επιτευχθεί το επιθυμητό βάθος κοπής υπό κλίμακα χρησιμοποιώντας την ένδειξη P
 - συσφίξτε το κουμπί Q
- Ρύθμιση γωνίας κοπής (0-45°) ⑩
 - χαλαρώστε το κουμπί U
 - κλινάτε το ηλεκτρικό εργαλείο ώσπου να επιτευχθεί η επιθυμητή γωνία κοπής υπό κλίμακα χρησιμοποιώντας την ένδειξη V
 - συσφίξτε το κουμπί U
 - ! κατά την λοξοτομή, το βάθος κοπής δεν ανταποκρίνεται στην τιμή της κλίμακας του βάθους κοπής**
- Ένδειξη γραμμής κοπής L ⑪
 - ώστε να κατευθύνεται το εργαλείο κατά μήκος της επιθυμητής γραμμής κοπής που έχει επισημανθεί επάνω στο τεμάχιο επεξεργασίας
 - για ευθεία κοπή 0° ή λοξοτομή με κλίση 45° χρησιμοποιείστε την αντίστοιχη γραμμή ένδειξης
 - ! το φαρδύ μέρος του πέλαμου πρέπει να εφάπτεται στο υποστηριζόμενο μέρος του τεμαχίου επεξεργασίας**
 - ! το πλάτος κοπής καθορίζεται από το πλάτος των οδοντώσεων και όχι από το πλάτος του σώματος της λάμας**
 - ! πραγματοποιείτε πάντα δοκιμαστικές κοπές για να επαληθεύετε την πραγματική γραμμή κοπής**

- Αναρρόφηση σκόνης 12
Για να χρησιμοποιήσετε ηλεκτρική σκούπα
- συνδέστε το σωλήνα της ηλεκτρικής σκούπας στον προσαρμογέα ηλεκτρικής σκούπας H
! ο σωλήνας της ηλεκτρικής σκούπας δεν πρέπει να εμποδίζει ποτέ το κάτω προστατευτικό ή τη διαδικασία κοπής
! μην χρησιμοποιείτε την ηλεκτρική σκούπα κατά την κοπή μετάλλων
- Χειρισμός του εργαλείου
- Τοποθετήστε τη συστοιχία μπαταριών
- κρατάτε πάντα γερά τη λαβή C
- τοποθετήστε το εργαλείο με το εμπρός μέρος του πέλματος επίπεδα επάνω στο τεμάχιο επεξεργασίας
! βεβαιωθείτε ότι οι οδοντώσεις της πριονολάμας δεν έχουν σφηνώσει στο τεμάχιο επεξεργασίας
- ενεργοποιείτε το εργαλείο πιέζοντας πρώτα το κουμπι E (= διακόπτης ασφάλειας που δεν έπιδέχεται ασφάλιση) και, στη συνέχεια, τραβώντας τη σκανδάλη D
! το εργαλείο πρέπει να λειτουργεί με πλήρη ταχύτητα προτού η λάμα εισχωρήσει στο τεμάχιο επεξεργασίας
- το κάτω προστατευτικό W ανοίγει αυτόματα όταν η πριονολάμα εισέρχεται στο τεμάχιο επεξεργασίας (ανοίγεται το κάτω προστατευτικό με το χέρι σας, χρησιμοποιώντας το μοχλό S, μόνο για ειδικές κοπές, όπως βυθισμένες κοπές)
! μην ζορίζετε το εργαλείο (ασκήστε ελαφρά και σταθερή πίεση προκειμένου να αποφύγετε την υπερθέρμανση των άκρων των λαμών)
! ενώ εργάζεστε, κρατάτε πάντα το εργαλείο από την επιφάνεια / τις επιφάνειες λαβής
- αφού ολοκληρώσετε την κοπή, απενεργοποιείτε το εργαλείο αποδεσμεύοντας τη σκανδάλη D
! βεβαιωθείτε ότι η λάμα έχει ακινητοποιηθεί πλήρως, προτού να ανασηκώσετε το ηλεκτρικό εργαλείο από το τεμάχιο επεξεργασίας

ΣΥΜΒΟΥΛΕΣ ΧΡΗΣΗΣ

- Διατηρείτε πάντα την καλή πλευρά του τεμαχίου επεξεργασίας στην κάτω πλευρά, προκειμένου να ελαχιστοποιήσετε τα πριονίδια κατά την κοπή ξύλου και παρόμοιων υλικών.
- Η απόδοση πριονίσματος και η ποιότητα κοπής εξαρτώνται ουσιαστικά από την κατάσταση και τον αριθμό οδοντώσεων της πριονολάμας.
- Χρησιμοποιείτε μόνο αιχμηρές πριονολάμες που είναι κατάλληλες για το υλικό που κόβεται 13
- χρησιμοποιείτε πριονολάμα σκληρωμένου χάλυβα AC 2 για την κοπή ξύλου, αλουμινίου, πλαστικού και κάθε είδους πολυστρωματικού ξύλου
- χρησιμοποιείτε τη ρομβοειδή λάμα AD 2 για την κοπή κεραμικών και πλακιδίων
- οι λάμες με άκρα καρβιδίου Y 2 παραμένουν αιχμηρές έως και 30 φορές περισσότερο σε σχέση με τις κοινές λάμες
- Οδηγός παράλληλης κοπής J 14
- για κοπές ακριβείας κατά μήκος του τεμαχίου επεξεργασίας
- εισάγετε μέσα από τις σχισμές στο μπροστινό άκρο του πέλματος
- Ρύθμιση του οδηγού παράλληλης κοπής


- χαλαρώστε τη βίδα K με το εξάγωνο κλειδί A
- ρυθμίστε το επιθυμητό πλάτος κοπής χρησιμοποιώντας την κλίμακα του οδηγού παράλληλης κοπής (χρησιμοποιείτε την ένδειξη γραμμής κοπής L ως μηδενικό σημείο αναφοράς)
- συσφίξτε τη βίδα K
- Βυθισμένη κοπή 15
- καθορίστε το επιθυμητό βάθος κοπής
- Κλίνετε το ηλεκτρικό εργαλείο προς τα εμπρός με την ένδειξη γραμμής κοπής L ευθυγραμμισμένη με την επιθυμητή γραμμή κοπής που έχει επισημανθεί επάνω στο τεμάχιο επεξεργασίας
- ανοίξτε το κάτω προστατευτικό W με το μοχλό S
- λίγο προτού η λάμα εισέλθει στο τεμάχιο επεξεργασίας, ενεργοποιήστε το ηλεκτρικό εργαλείο και χαμηλώστε σταδιακά το πίσω μέρος του ηλεκτρικού εργαλείου, χρησιμοποιώντας το μπροστινό άκρο του πέλματος ως σημείο στήριξης
- κινήστε σταδιακά το εργαλείο προς τα κάτω και προς τα εμπρός
- μόλις η λάμα εισαχθεί στο υλικό, αποδεσμεύστε το μοχλό S
! ποτέ μην τραβάτε το εργαλείο προς τα πίσω
- Κοπή μεγάλων πάνελ 16
- υποστηρίξτε τα πάνελ κοντά στο σημείο κοπής, τοποθετώντας τα στο δάπεδο, σε τραπέζι ή πάγκο εργασίας
! ρυθμίστε το βάθος κοπής, προκειμένου να κόψετε το πάνελ και όχι την υποστήριξη
- σε περίπτωση που ο οδηγός παράλληλης κοπής δεν επιτρέπει την κοπή επιθυμητού πλάτους, στερεώστε ή καρφώστε ένα ίσιο ξύλο πάνω στο τεμάχιο επεξεργασίας ως οδηγό και χρησιμοποιήστε την αριστερή πλευρά του πέλματος σε σχέση με αυτόν τον οδηγό 17
- Για περισσότερες πληροφορίες, βλ. www.skil.com

ΣΥΝΤΗΡΗΣΗ/ΣΕΡΒΙΣ

- Αυτό το εργαλείο δεν προορίζεται για επαγγελματική χρήση
- Διατηρείτε πάντα καθαρό το εργαλείο (ειδικά τις σχισμές αερισμού N)
! αφαιρείτε τη συστοιχία μπαταριών από το εργαλείο πριν από τον καθαρισμό
- Φροντίζετε ώστε ο χώρος γύρω από κάτω προστατευτικό W 2 να είναι πάντα καθαρός (απομακρύνετε τη σκόνη και τα ροκανίδια με πεπιεσμένο αέρα ή πινέλο)
- Καθαρίζετε την πριονολάμα αμέσως μετά τη χρήση (ειδικά από ρητίνη ή κόλλα)
- Αν παρά την επιμελημένη κατασκευή και τις διαδικασίες δοκιμής το εργαλείο παρουσιάσει βλάβη, τότε η επισκευή του πρέπει να ανατεθεί σ' ένα κέντρο εξυπηρέτησης κατόπιν πωλήσεων για ηλεκτρικά εργαλεία SKIL
- στείλτε το εργαλείο χωρίς να το απουναρμολογήσετε μαζί με την απόδειξη αγοράς στον κατάστημα από το οποίο το αγοράσάτε ή στον πλησιέστερο σταθμό τεχνικής εξυπηρέτησης της SKIL (θα βρείτε τις διευθύνσεις και το διάγραμμα συντήρησης του εργαλείου στην ιστοσελίδα www.skil.com)
- Λαμβάνετε υπόψη ότι οι βλάβες που προκαλούνται

λόγω υπερφόρτωσης ή ακατάλληλης χρήσης του ηλεκτρικού εργαλείου δεν καλύπτονται από την εγγύηση (για τους όρους της εγγύησης της SKIL βλ. www.skil.com ή απευθυνθείτε στο πλησιέστερο κατάστημα πώλησης)

ΠΕΡΙΒΑΛΛΟΝ

- Μην απορρίπτετε ηλεκτρικά εργαλεία, μπαταρίες, παρελκόμενα και συσκευασίες στα οικιακά απορρίμματα (μόνο για τις χώρες της ΕΕ)
 - σύμφωνα με την ευρωπαϊκή οδηγία 2012/19/ΕΚ, σχετικά με τα απόβλητα ηλεκτρικού και ηλεκτρονικού εξοπλισμού, και την ενσωμάτωσή της στο εθνικό δίκαιο, τα άχρηστα ηλεκτρικά εργαλεία πρέπει να συλλέγονται ξεχωριστά και να επιστρέφονται σε εγκατάσταση αποβλήτων για ανακύκλωση με τρόπο φιλικό προς το περιβάλλον
 - το σύμβολο  θα σας το θυμίσει αυτό όταν έλθει η ώρα της απόρριψης
- ! πριν από την απόρριψη, καλύψτε τους ακροδέκτες της συστοιχίας μπαταριών με μονωτική ταινία για να αποφύγετε βραχυκύκλωμα**

ΘΟΥΡΒΟΣ/ΔΟΝΗΣΗ

- Βάσει της μέτρησης σύμφωνα με το πρότυπο EN 62841, η στάθμη ηχητικής πίεσης αυτού του εργαλείου είναι 96 dB(A) και η στάθμη ηχητικής ισχύος 107 dB(A) (αβεβαιότητα K = 3 dB), και η δόνηση *(τριαξονικό διανυσματικό άθροισμα, αβεβαιότητα K = 1,5 m/s²)
 - * κοπή ξύλου < 2,5 m/s²
 - * κοπή μετάλλου < 2,5 m/s²
 - Το επίπεδο μετάδοσης δόνησης έχει μετρηθεί σύμφωνα με τυποποιημένη δοκιμή κατά το πρότυπο EN 62841. Μπορεί να χρησιμοποιηθεί για τη σύγκριση ενός εργαλείου με ένα άλλο, καθώς και ως προκαταρκτική αξιολόγηση της έκθεσης σε δόνηση όταν το εργαλείο χρησιμοποιείται για τις αναφερόμενες εφαρμογές
 - η χρήση του εργαλείου για διαφορετικές εφαρμογές, με διαφορετικά ή πλημμελώς συντηρημένα παρελκόμενα μπορεί να αυξήσει σημαντικά το επίπεδο έκθεσης
 - όταν το εργαλείο είναι απενεργοποιημένο ή όταν είναι ενεργοποιημένο αλλά δεν εκτελεί την εργασία, το επίπεδο έκθεσης μπορεί να μειωθεί σημαντικά
- ! προσαυτεείτε από τις συνέπειες της δόνησης, συντηρώντας σωστά το ηλεκτρικό εργαλείο και τα παρελκόμενά του, διατηρώντας τα χέρια σας ζεστά και οργανώνοντας τον τρόπο εργασίας σας**

RO


Ferăstrău multiplu compact fără perii

3540

INTRODUCERE

- Această unealtă este destinată tăierii pe lungime și transversale a lemnului, plăcilor aglomerate, placajului,

alumiului, plăcilor de faianță/dale, pietrei, materialelor plastice și a materialelor de construcție ușoare cu tăieturi drepte, precum și tăieturi unghiulare de până la 45

- Această sculă nu este destinată utilizării profesionale.
- Citiți și păstrați acest manual de instrucțiuni. 


DATE TEHNICE

ELEMENTELE SCULEI

- A** Cheia hexagonală
- B** Locaș de depozitare pentru cheia hexagonală
- C** Mâner
- D** Trăgaci declanșator
- E** Întrerupător de siguranță
- F** Buton de blocare ax
- G** Portul de extragere a prafului
- H** Adaptor aspiratorului
- J** Ghidaj paralel
- K** Șurub pentru reglarea ghidajului paralel
- L** Indicatorul liniei de tăiere
- M** Placa pentru picioare
- N** Fantele de ventilație
- P** Indicator al adâncimii de tăiere
- Q** Buton pentru stabilirea adâncimii de tăiere
- R** Dispozitiv superior de protecție
- S** Manetă de deschidere a apărătorii inferioare
- T** Lumină LED
- U** Buton de reglare a unghiului de tăiere
- V** Indicator al unghiului de tăiere
- W** Apărătoare inferioară
- X** Suprafață de încastrare
- Y** Pânză de ferăstrău placată cu carburi
- Z** Flanșă
- AA** Șurub de pânză
- AB** Buton indicator al nivelului bateriei
- AC** Pânză ferăstrău din oțel călit
- AD** Disc diamantat

SIGURANȚA

INSTRUCȚIUNI GENERALE DE SIGURANȚĂ PENTRU SCULE ELECTRICE

 **AVERTISMENT** Citiți toate instrucțiunile, avertizările de siguranță, ilustrațiile și specificațiile livrate împreună cu această sculă electrică.

Nerespectarea tuturor instrucțiunilor enumerate mai jos se poate solda cu șoc electric, incendiu și/sau vătămare corporală gravă.

Păstrați toate avertizările și instrucțiunile pentru consultare ulterioară.

Termenul „sculă electrică” din avertizări se referă la scula electrică (cu cablu) alimentată de la rețeaua electrică sau scula electrică (fără cablu de alimentare) care funcționează cu acumulator.

1) SIGURANȚA ZONEI DE LUCRU

- Păstrați zona de lucru curată și bine iluminată.** Zonele dezordonate și întunecoase predispun la accidente.

- b) Nu puneți în funcțiune sculele electrice în atmosfere explozive, cum ar fi în prezența lichidelor, gazelor sau a pulberilor inflamabile. Sculele electrice creează scântei, care pot aprinde pulberile sau gazele.
- c) Țineți copiii și persoanele prezente la distanță atunci când utilizați o sculă electrică. Distragerea atenției vă poate face să pierdeți controlul.

2) SIGURANȚA ELECTRICĂ

- a) Ștecherile sculelor electrice trebuie să corespundă cu prizele de rețea electrică. Nu modificați niciodată ștecherul în vreun fel. Nu utilizați adaptoare de priză cu scule electrice împământate. Ștecherile nemodificate și prizele adecvate vor reduce riscul de electrocutare.

- b) Evitați contactul corpului cu suprafețele legate la împământare, cum sunt țevile, caloriferele, mașinile de gătit și frigiderule. Acest lucru reprezintă un risc sporit de electrocutare în cazul care corpul dumneavoastră este împământat.

- c) Nu expuneți sculele electrice la ploaie sau condiții de umiditate. Pătrunderea apei într-o sculă electrică va crește riscul de electrocutare.

- d) Nu folosiți în mod abuziv cablul de alimentare. Nu utilizați niciodată cordonul de alimentare pentru a transporta, a trage sau a scoate din priză scula electrică. Țineți cablul de alimentare departe de căldură, ulei, margini tăioase sau piese în mișcare. Cablurile electrice deteriorate sau încălcite cresc riscul de electrocutare.

- e) Când utilizați o sculă electrică în aer liber utilizați un cablu prelungitor adecvat pentru utilizarea în aer liber. Utilizarea unui cablu adecvat pentru utilizare în aer liber reduce riscul de electrocutare.

- f) Dacă utilizarea unei scule electrice într-o zonă umedă este inevitabilă, utilizați o sursă de alimentare protejată cu un întrerupător de protecție la curent rezidual (DCR). Utilizarea unui astfel de întrerupător reduce riscul de electrocutare.

3) SIGURANȚA PERSONALĂ

- a) Păstrați-vă vigilența, urmăriți ceea ce faceți și apelați la bunul simț când utilizați o sculă electrică. Nu utilizați o sculă electrică când sunteți obosit, sau sub influența medicamentelor, a alcoolului sau a medicației. Un moment de neatenție în timp ce utilizați sculele electrice se poate solda cu vătămări grave.

- b) Utilizați echipamente individuale de protecție. Purtați întotdeauna echipament de protecție oculară. Echipamentele de protecție, cum ar fi masca de praf, bocancii de protecție antiderapanți, cască sau antifoanele utilizate în condiții corespunzătoare, vor reduce vătămrile corporale.

- c) Preveniți pornirea accidentală. Asigurați-vă că întrerupătorul este în poziția oprit înainte de a conecta scula la o sursă de alimentare și/sau set de acumulatori, înainte de a ridica sau transporta scula. Transportul sculelor electrice cu degetul pe întrerupător sau cu alimentarea cu energie electrică pornită, predis pune la accidente.

- d) Îndepărtați orice cheie de reglare sau cheie fixă înainte de a porni scula electrică. O cheie sau o cheie lăsată atașată la o piesă rotativă a sculei electrice poate duce la vătămări corporale.
- e) Nu încercați să ajungeți în locuri inaccesibile.

Păstrați-vă stabilitatea și echilibrul în orice moment. Astfel veți avea un control mai bun asupra sculei electrice în situații neașteptate.

- f) **Păstrați-vă părul și îmbrăcămintea departe de componentele în mișcare.** Îmbrăcămintea largă, bijuteriile sau părul lung se pot prinde în piesele în mișcare.
- g) **Dacă sunt furnizate dispozitive pentru conectarea sistemelor de extragere și colectare a prafului, asigurați-vă că acestea sunt conectate și utilizate corespunzător.** Utilizarea dispozitivelor de colectare a prafului poate reduce pericolele legate de praf.
- h) **Nu permiteți ca familiaritatea dobândită în urma utilizării frecvente a sculelor să vă facă să neglijați sau să nesocotiți principiile de siguranță ale sculei.** O operație neglijentă poate cauza vătămări grave într-o fracțiune de secundă.

4) UTILIZAREA ȘI ÎNGRIJIREA SCULELOR ELECTRICE

- a) **Nu forțați scula electrică. Utilizați scula electrică corespunzătoare pentru aplicația dumneavoastră.** Scula electrică adecvată va face o treabă mai bună și mai sigură când este utilizată conform specificațiilor pentru care a fost concepută.
 - b) **Nu utilizați scula electrică dacă întrerupătorul nu comută pe pozițiile pornit și oprit.** Orice sculă electrică ce nu poate fi controlată de la întrerupător este periculoasă și trebuie reparată.
 - c) **Deconectați ștecherul de la sursa de alimentare și / sau scoateți acumulatorul, dacă este detașabil, de la scula electrică înainte de a efectua ajustări, de a schimba accesoriile sau de a stoca sculele electrice.** Astfel de măsuri preventive reduc riscul de pornire accidentală a sculei electrice.
 - d) **Depozitați sculele electrice într-un loc inaccesibil copiilor și nu permiteți utilizarea sculei electrice de persoane nefamiliarizate cu aceasta sau cu aceste instrucțiuni.** Sculele electrice sunt periculoase în mâinile utilizatorilor neinstruiți.
 - e) **Întrețineți sculele electrice și accesoriile. Verificați dacă există abateri de la coaxialitate sau îndoiri ale pieselor în mișcare, deteriorări ale pieselor și orice altă situație care poate afecta funcționarea sculelor electrice.** În caz de deteriorare, reparați scula electrică înainte de utilizare. Multe accidente sunt cauzate de sculele electrice prost întreținute.
 - f) **Mențineți sculele de tăiere ascuțite și curate.** Sculele de tăiere întreținute corespunzător și cu muchii de tăiere ascuțite riscă mai puțin să se îndoie și sunt mai ușor de controlat.
 - g) **Utilizați scula electrică, accesoriile și cuțitele demontabile etc. în conformitate cu aceste instrucțiuni, ținând cont de condițiile de lucru și lucrarea de efectuat.** Utilizarea sculei electrice pentru operații diferite de cele intenționate s-ar putea solda cu o situație periculoasă.
 - h) **Mențineți mânerul și suprafețele de apucat uscate, curate și fără ulei și vaselină.** Mânerul și suprafețele de apucare alunecoase nu permit manevrarea în siguranță și controlul asupra sculei în situații neașteptate.
- ## 5) UTILIZAREA ȘI ÎNGRIJIREA ACUMULATORULUI
- a) **Reîncărcați numai cu încărcătorul specificat de producător.** Un încărcător adecvat pentru un tip de set de acumulatori poate prezenta risc de incendiu dacă este

utilizat cu alt set de acumulatori.

- b) **Utilizați sculele electrice doar cu seturile de acumulatori special menționate.** Utilizarea oricărui alt set de acumulatori prezintă risc de accidente și incendii.
 - c) **Când nu se utilizează setul de acumulatori, țineți-l departe de alte obiecte metalice precum clamele de hârtie, monedele, cheile, cuiele, șuruburile sau alte obiecte metalice mici care pot realiza o conexiune între borne.** Scurtcircuitarea bornelor acumulatorului poate produce arsuri sau un incendiu.
 - d) **În condiții abuzive se poate scurge lichid din acumulator; evitați contactul. Dacă are loc contactul accidental, clătiți cu apă. Dacă lichidul intră în contact cu ochii, efectuați suplimentar un consult medical.** Lichidul scurs din acumulator poate produce iritații sau arsuri.
 - e) **Nu utilizați un set de acumulatori sau o sculă deteriorată sau modificată.** Acumulatorii deteriorați sau modificați pot prezenta comportament imprevizibil, care poate duce la incendiu, explozie sau risc de vătămare.
 - f) **Nu expuneți setul de acumulatori la foc sau la temperaturi excesive.** Expunerea la foc sau la temperaturi de peste 130°C poate provoca explozie.
 - g) **Respectați instrucțiunile de încărcare și nu încărcăți setul de acumulatori sau scula în afara intervalului de temperatură specificat în instrucțiuni.** Încărcarea necorespunzătoare sau la temperaturi în afara domeniului specificat poate duce la deteriorarea acumulatorului și la creșterea riscului de incendiu.
- 6) **SERVICE**
- a) **Apelați numai la o persoană calificată pentru a vă repara scula electrică utilizând numai piese de schimb identice.** Astfel se asigură menținerea nivelului de siguranță al sculei electrice.
 - b) **Nu efectuați niciodată operații de service asupra seturilor de acumulatori deteriorați.** Depanarea acumulatorilor trebuie să fie efectuată numai de producător sau de prestatorii autorizați de servicii.

INSTRUCȚIUNI DE SIGURANȚĂ PENTRU FERĂSTRĂU CIRCULAR

Proceduri de tăiere

- a) **PERICOL: Țineți mâinile departe de zona de tăiere și lamă.** Dacă ambele mâini țin ferăstrăul, acestea nu pot fi tăiate de lamă.
- b) **Nu puneți mâna sub piesa de lucru.** Protecția nu vă poate proteja de lamă sub piesa de prelucrat.
- c) **Reglați adâncimea de tăiere la grosimea piesei de prelucrat.** Trebuie să fie vizibil sub piesa de prelucrat mai puțin de un dinte complet al dinților lamei.
- d) **Nu țineți niciodată piesa de prelucrat în mâini sau peste picior în timp ce tăiați. Fixați piesa de prelucrat pe o platformă stabilă.** Este important să susțineți în mod corespunzător lucrările pentru a minimiza expunerea corpului, blocarea lamei sau pierderea controlului.
- e) **Țineți scula electrică de suprafețele de prindere izolate la efectuarea unei operații unde accesoriul de așchiere poate contacta cablaje ascunse.** Accesoriile de fixare care intră în contact cu un fir „sub

tensiune” pot pune „sub tensiune” părțile metalice exterioare ale sculei electrice și pot electrocuta operatorul.

- f) **La spintecare, utilizați întotdeauna o pană de spintecare sau un ghidaj de margine drept.** Acest lucru îmbunătățește precizia tăierii și reduce șansele de blocare a lamei.
- g) **Utilizați întotdeauna pânze de ferăstrău cu dimensiunea și forma corectă (de romb față de forma rotundă) a orificiilor de montaj.** Pânzele de ferăstrău care nu se potrivesc cu dispozitivele de montare ale ferăstrăului vor funcționa excentric, provocând pierderea controlului.
- h) **Nu folosiți niciodată șaibe de lamă sau șuruburi deteriorate sau incorecte.** Șaibele și șuruburile de lamă au fost special concepute pentru ferăstrăul dvs., pentru performanțe optime și siguranță de funcționare.

Recul și avertizările aferente

- Kickback is a sudden reaction to a pinched, jammed or misaligned saw blade, causing an uncontrolled saw to lift up and out of the workpiece toward the operator.
- When the blade is pinched or jammed tightly by the kerf closing down, the blade stalls and the motor reaction drives the unit rapidly back toward the operator.
- If the blade becomes twisted or misaligned in the cut, the teeth at the back edge of the blade can dig into the top surface of the wood causing the blade to climb out of the kerf and jump back toward the operator.

Kickback is the result of saw misuse and/or incorrect operating procedures or conditions and can be avoided by taking proper precautions as given below.

- a) **Mențineți o strângere fermă a fierăstrăului și poziționați-vă brațele pentru a rezista forțelor de recul. Poziționează-ți corpul fie de o parte a lamei, dar nu în linie cu lama.** Reculul ar putea face ca ferăstrăul să sară înapoi, dar forțele de recul pot fi controlate de către operator, dacă se iau măsurile de precauție adecvate.
- b) **Când lama este blocată sau când întrerupeți o tăietură din orice motiv, eliberați trăgaciul și țineți ferăstrăul nemișcat în material până când lama se oprește complet. Nu încercați niciodată să scoateți ferăstrăul din piesa lucru sau nu trageți ferăstrăul înapoi în timp ce lama este în mișcare sau poate apărea o retragere.** Investigați și luați măsuri corective pentru a elimina cauza blocării lamei.
- c) **Când reporniți un ferăstrău în piesa de prelucrat, centrați lama ferăstrăului în bucată, astfel încât dinții ferăstrăului să nu fie cuplați în material.** Dacă o lamă de ferăstrău se blochează, aceasta poate merge în sus sau înapoi din piesa de prelucrat pe măsură ce ferăstrăul este repornit.
- d) **Sprîjiniți panourile mari pentru a minimiza riscul de ciupire și recul a lamei.** Panourile mari tind să se lase sub propria greutate. Suporturile trebuie așezate sub panou pe ambele părți, lângă linia de tăiere și lângă marginea panoului.
- e) **Nu utilizați lame neascuțite sau deteriorate.** Pânzele de ferăstrău neascuțite sau fixate necorespunzător produc o tăietură îngustă care provoacă frecare excesivă,

blocarea lamei și recul.

- f) **Adâncimea lamei și pârghiile de blocare pentru reglarea înclinării trebuie să fie strânse și sigure înainte de a efectua tăierea.** Dacă reglarea lamei se schimbă în timpul tăierii, aceasta poate provoca blocarea și retragerea.
- g) **Aveți grijă suplimentară atunci când tăiați pereții existenți sau alte zone oarbe.** Lama proeminentă poate tăia obiecte care pot cauza recul.

Funcția de protecție inferioară

- a) **Verificați protecția inferioară pentru închiderea corectă înainte de fiecare utilizare. Nu acționați ferăstrăul dacă protecția inferioară nu se mișcă liber și nu se închide instantaneu. Nu strângeți niciodată și nu legați protecția inferioară în poziția deschisă.** Dacă ferăstrăul este scăpat accidental, protecția inferioară poate fi îndoită. Ridicați protecția inferioară cu mânerul retractabil și asigurați-vă că se mișcă liber și nu atinge lama sau orice altă parte, în toate unghiurile și adâncimile de tăiere.
- b) **Verificați funcționarea arcului de protecție inferior. Dacă protecția și arcul nu funcționează corect, acestea trebuie întreținute înainte de utilizare.** Protecția inferioară poate funcționa lent din cauza pieselor deteriorate, a depunerilor de gumă sau a acumulării de resturi.
- c) **Apărătoarea inferioară poate fi retrasă manual numai pentru tăieturi speciale, cum ar fi „tăieturi scufundate” și „tăieturi compuse”. Ridicați protecția inferioară de mânerul retractabil și imediat ce lama intră în material, protecția inferioară trebuie eliberată.** Pentru toate celelalte tăieturi, protecția inferioară ar trebui să funcționeze automat.
- d) **Observați întotdeauna că protecția inferioară acoperă lama înainte de a așeza ferăstrăul pe bancă sau podea.** O lamă neprotejată, de inerție, va face ca ferăstrăul să meargă înapoi, tăind tot ce se află în calea sa. Fiți conștienți de timpul necesar pentru oprirea lamei după eliberarea comutatorului.

AVERTISMENTE SUPLIMENTARE

GENERALITĂȚI

- Această sculă nu trebuie să fie folosită de persoane sub 16 ani
- Această sculă nu este potrivită pentru tăiere umedă
- **Nu prelucrați materiale care conțin azbest (azbestul este considerat a fi cancerigen)**
- Praful rezultat din materiale precum vopseaua care conține plumb, unele specii de lemn, minerale și metale poate fi periculos (contactul cu praful sau inhalarea acestuia poate provoca reacții alergice și/sau afecțiuni respiratorii operatorului sau persoanelor care stau în apropiere); **purtați o mască de praf și lucrați cu un dispozitiv de extragere a prafului când poate fi conectat**
- Anumite tipuri de praf sunt clasificate ca fiind cancerigene (cum ar fi praful de stejar și fag) în special în combinație cu aditivi pentru tratarea lemnului; **purtați o mască de praf și lucrați cu un dispozitiv de extragere a prafului când poate fi conectat**
- Respectați reglementările naționale referitoare la

aspirația prafului în funcție de materialele de lucru folosite

- Nu utilizați acest ferăstrău în combinație cu o masă de ferăstrău
- Scoateți bateria din sculă înainte de a face orice reglaje sau de a schimba accesorii

ACCESORII

- SKIL garantează funcționarea perfectă a aparatului numai dacă sunt folosite accesoriile originale
- Folosiți numai pânze de ferăstrău care corespund specificațiilor din prezentele instrucțiuni și care au fost verificate și marcate corespunzător, conform EN 847-1, dacă este destinat lemnului și materialelor asemănătoare lemnului.
- Folosiți numai accesoriile a căror turație admisă este cel puțin egală cu turația maximă la mers în gol a aparatului
- **Utilizați numai pânze de ferăstrău/ discuri de tăiere cu un diametru minim de 115 mm, un diametru maxim de 120 mm și un orificiu pentru ax de 9.5 mm**
- Nu folosiți niciodată discuri abrazive cu această sculă
- Manevrați și depozitați cu grijă accesorii
- Identificați lama de ferăstrău corectă care trebuie utilizată pentru materialul care urmează să fie tăiat.

ÎNAINTEA UTILIZĂRII

- Evitați daunele provocate de șuruburi, ținte și alte elemente din timpul lucrului; înlăturați aceste elemente înainte de a trece la acțiune
- Îndepărtați toate obstacolele aflate deasupra precum și sub traseul de tăiere înainte de a începe tăierea
- **Securizați piesa de lucru** (o piesă de lucru fixată cu clame sau într-o menhină este ținută mult mai în siguranță decât manual)
- **Folosiți detectoare adecvate pentru depistarea conductelor și conductorilor de alimentare sau apelați în acest scop la întreprinderea locală de furnizare a utilităților sau sunați la compania de utilități locale pentru asistență** (contactul cu conductorii electricei poate provoca incendii sau electrocutare; deteriorarea unei conducte de gaz poate duce la explozii; spargerea unei conducte de apă provoacă pagube materiale sau poate provoca electrocutare)

ÎN TIMPUL FUNCȚIONĂRII

- Când este utilizat, nivelul de zgomot poate depăși 85 dB(A); este necesar să purtați echipament de protecție pentru urechi
- Nu folosiți niciodată scula fără sistemul original de protecție
- Nu încercați să tăiați piese de prelucrat extrem de mici
- Nu lucrați cu scula deasupra capului
- În caz de blocare sau defecțiuni electrice sau mecanice, opriți imediat scula și scoateți bateria.

DUPĂ UTILIZARE

- Când puneți instrumentul la o parte, deconectați motorul și asigurați-vă că toate elementele mobile și-au oprit complet mișcarea
- După deconectarea ferăstrăului circular, nu opriți niciodată rotația pânzei de fierăstrău printr-o forță laterală aplicată acesteia

ACUMULATORII

- Bateria furnizată este parțial încărcată (pentru a asigura o capacitate maximă a bateriei, încărcăți-o complet utilizând încărcătorul acesteia înainte de a utiliza unealta electrică pentru prima dată)
- Utilizați numai următoarele baterii și încărcătoare cu această sculă

- Baterie SKIL: BR1*31****
- Încărcător SKIL: CR1*31****
- Nu utilizați bateria dacă este avariata; aceasta trebuie înlocuită
- Nu dezasamblați bateria
- Nu expuneți scula/bateria la ploaie
- Temperatură ambientă admisă (instrument/încărcător/acumulator):
 - în timpul încărcării 4...40°C
 - în timpul funcționării -20...+50°C
 - în timpul depozitării -20...+50°C

EXPLICAȚIA SIMBOLURILOR DE PE INSTRUMENT/ BATERIE

- ③ Citiți manual de instrucțiuni înainte de utilizare
- ④ Bateriile vor exploda când sunt aruncate în foc, deci nu ardeți bateriile sub niciun motiv
- ⑤ Depozitați instrumentul / încărcătorul / bateria în locuri în care temperatura nu va depăși 50 °C
- ⑥ Nu aruncați sculele electrice și bateriile direct la pubelele de gunoi

UTILIZAREA

- Încărcarea bateriei
 - ! **citiți avertismentele de siguranță și instrucțiunile care au fost furnizate împreună cu încărcătorul**
- Scoaterea/instalarea bateriilor ②
- Indicator nivel încărcare acumulator ⑦
 - apăsați butonul indicator al nivelului bateriei AB pentru a afișa nivelul curent al bateriei ⑦a
 - ! **când nivelul cel mai scăzut al indicatorului bateriei începe să clipească după apăsarea butonului AB ⑦b, bateria este descărcată**
 - ! **când 2 niveluri ale indicatorului bateriei încep să clipească după apăsarea butonului AB ⑦c, bateria nu se află în intervalul de temperatură de funcționare permis**
- Lumină LED T ⑧
 - Lumina LED luminează automat atunci când scula începe să funcționeze
 - ! **când lumina LED începe să lumineze intermitent, protecția bateriei este activată (a se vedea mai jos)**
- Protecția bateriei
 - Aparatul este oprit brusc sau împiedicat să fie pornit când
 - **sarcina este prea mare** -> îndepărtați sarcina și reporniți
 - **temperatura bateriei nu se încadrează în intervalul admisibil de temperatură de funcționare de la -20 la + 50 °C** -> 2 niveluri ale indicatorului de nivel al bateriei începe să clipească la apăsarea butonului AB 7c; așteptați până când bateria a revenit în intervalul permis de temperatură de funcționare
 - **bateria este aproape descărcată (pentru a proteja împotriva descărcării profunde)** -> un nivel scăzut al bateriei sau un nivel scăzut intermitent al bateriei este afișat de indicatorul nivelului bateriei atunci când apăsați butonul AB; încărcați bateria
 - ! **nu continuați să apăsați comutatorul pornit/oprit după oprirea automată a mașinii; în caz contrar, bateria poate fi deteriorată**
- Montarea pânzei de ferăstrău ②
 - ! **scoateți bateria din sculă**

- scoateți cheia hexagonală A din zona de stocare B
- apăsați butonul de blocare a axului F și țineți-l până când scoateți șurubul pânzei AA prin rotirea cheii fixe de pânză A ÎN SENS ORAR (= în aceeași direcție cu săgeata imprimată pe pânza ferăstrăului)
- ! **apăsați butonul de blocare a axului F numai atunci când scula este în poziția de oprire**
- lăsați liber butonul F de blocare a axului
- îndepărtați flanșa Z
- ! **asigurați-vă că suprafețele de fixare X ale flanșelor sunt perfect curate și sunt orientate la pânză**
- desfaceți dispozitivul de protecție inferior W cu maneta S și mențineți-l astfel, montați pânza de ferăstrău astfel încât dinții pânzei de fierăstrău și săgeata desenată pe pânza de fierăstrău să fie îndreptați în aceeași direcție cu săgeata de pe dispozitivul de protecție superior
- lăsați liber dispozitivul de protecție inferior W
- montați flanșa YZ
- apăsați butonul F de blocare a axului și mențineți-l apăsat în timp ce strângeți șurubul pânzei cu cheia hexagonală și întoarceți-l 1/8 cu mâna înapoi (asigurați alunecarea pânzei de fierăstrău atunci când aceasta întâlnește o rezistență excesivă, reducând astfel suprasarcina motorului și reculul fierăstrăului)
- lăsați liber butonul F de blocare a axului
- Reglarea adâncimii de tăiere (0-41 mm) ⑨
 - pentru o calitate optimă a tăierii pânza de ferăstrău nu trebuie nu trebuie să depășească cu mai mult de 3 mm piesa pe prelucrat
 - deșurubați butonul Q
 - ridicați/coborâți reazemul M până la adâncimea de tăiere dorită, adâncime care poate fi setată pe o scală cu ajutorul indicatorului P
 - strângeți butonul Q
- Reglarea unghiului de tăiere (0-45°) ⑩
 - deșurubați butonul U
 - înclinați scula până la unghiul de tăiere dorit care este setat pe scală folosind indicatorul V
 - strângeți butonul U
 - ! **la tăierea oblică, adâncimea de tăiere nu corespunde cu valoarea de pe scala adâncimii de tăiere**
- Indicatorul liniei de tăiere L ⑪
 - pentru ghidarea sculei de-a lungul liniei dorite de tăiere marcate pe piesa de prelucrat
 - pentru tăiere dreaptă la 0° sau oblică la 45° folosiți linia indicatoare menționată
 - ! **partea lată a reazemului trebuie să se așeze pe partea sprijinită a piesei de prelucrat**
 - ! **lățimea de tăiere este determinată de lățimea danturii pânzei și nu de lățimea corpului pânzei**
 - ! **faceți întotdeauna mai întâi tăieri de test pentru verificarea liniei efective de tăiere**
- Aspirarea a prafului ⑫
 - În cazul folosirii unui aspirator de praf
 - conectați furtunul aspiratorului la adaptorul aspiratorului H
 - ! **nu lăsați niciodată furtunul aspiratorului să stănjenească dispozitivul inferior de protecție sau operația de tăiere**
 - ! **nu folosiți aspiratorul atunci când tăiați metal**
- Utilizarea sculei
 - montați bateria

- țineți întotdeauna ferm mânerul C
- așezați scula cu partea din față a reazemului direct pe piesa de prelucrat

! asigurați-vă că dantura fierăstrăului nu este angajată în piesa de prelucrat

- conectați scula apăsând prima dată butonul E (= comutator de siguranță care nu poate fi blocat) și apoi trăgând declanșatorul D

! scula trebuie să funcționeze la turația completă înainte ca pâza să intre în piesa de prelucrat

- dispozitivul inferior de protecție W se deschide automat atunci când pâza ferăstrăului intră în piesa de lucru (pentru tăieri speciale, cum ar fi tăieri de adâncime, deschideți manual dispozitivul inferior de protecție, folosind maneta S)

! nu forțați instrumentul (aplicați presiune ușoară și continuați pentru a evita supraîncălzirea vârfurilor pânzei)

! în timp ce lucrați, țineți întotdeauna scula de zonă (zonele) de prindere

- după încheierea tăierii deconectați scula eliberând declanșatorul D

! asigurați-vă că pâza s-a oprit complet din mișcare înainte de a ridica scula de pe piesa de prelucrat

SFATURILE PENTRU UTILIZARE

- Întotdeauna orientați cu partea bună a piesei de prelucrat în jos pentru a asigura o așchiere minimă asigurați atunci când tăiați lemnul și materialele similare lemnului.
- Performanțele de tăiere și calitatea tăierii depind în principal de starea și numărul de dinți ai pânzei de ferăstrău.
- Folosiți numai pânze de ferăstrău ascuțite, potrivite pentru materialul care se taie ⑬
 - utilizați o pânză de ferăstrău AC ② din oțel călit pentru a tăia lemn, aluminiu, materiale plastice și toate tipurile de lemn laminat
 - utilizați disc diamantat AD ② pentru tăierea plăcilor din ceramică și a plăcilor de faianță/dalelor
 - pânzele placate cu carburi Y ② rămân ascuțite pe perioade de până la de 30 de ori mai mult decât pânzele obișnuite
- Ghidaj paralel J ⑭
 - pentru realizarea unor tăieturi exacte de-a lungul marginii piesei de prelucrat
 - se introduce prin fantele din partea din față a piciorului
 - Reglarea riglei de ghidare pentru caneluri
 - slăbiți șurubul K cu ajutorul cheii hexaagonale A
 - reglați lățimea dorită de tăiere utilizând scala riglei de ghidare pentru caneluri (utilizați ca referință 0 indicatorul liniei de tăiere L)
 - strângeți șurubul K
- Tăiere plonjată ⑮
 - setați adâncimea dorită de tăiere
 - înclinați scula în față spre indicator liniei de tăiere L aliniat cu linia dorită de tăiere marcată pe piesă de prelucrat
 - deschideți dispozitivul de protecție inferior W cu maneta S
 - chiar înainte ca pâza să intre în piesa de prelucrat, conectați scula și treptat coborâți capătul din spate al sculei folosind partea din față a reazemului ca punct de

basculare

- treptat, mișcați scula în jos și înainte
- de îndată ce pâza intră în material, eliberați maneta S

! nu trageți niciodată scula înapoi

- Tăierea panourilor mari ⑯
 - sprijiniți panoul aproape de tăietură fie pe pardoseală, fie pe masă sau pe bancul de lucru
- ! setați adâncimea de tăiere astfel încât să străpungeți panoul și nu suportul
 - în cazul în care rigla de ghidare pentru caneluri nu permite lățimea dorită de tăiere, fixați sau prindeți în cuie o bucată dreaptă de lemn ca ghidaj, și utilizați partea dreaptă a reazemului față de acest ghidaj ⑰
- Pentru mai multe informații, consultați www.skil.com

ÎNȚEȚINERE/SERVICE

- Această sculă nu este destinată utilizării profesionale
- Păstrați întotdeauna aparatul curat (mai ales fantele de ventilație N)
 - ! scoateți bateria din scula electrică înainte de curățare
- Mențineți întotdeauna curată zona din jurul dispozitivului de protecție inferior W ② (eliminați praful și așchiile prin suflare cu aer comprimat sau cu o perie)
- Curățați pâza de ferăstrău imediat după utilizare (în special de rășini și clei)
- Dacă în ciuda procedurilor de fabricație și control riguroase scula are totuși o pană, repararea acesteia se va face numai la un atelier de asistență service autorizat pentru scule electrice SKIL
 - trimiteți scula în totalitatea lui cu bonul de cumpărare la distribuitorul sau la centrul de service SKIL cel mai apropiat (adrese și diagrame de service se găsesc la www.skil.com)
- Trebuie să fiți conștienți de faptul că deteriorarea datorată supra-sarcinii sau utilizării incorecte a sculei va duce la excluderea din garanție (pentru condițiile de garanție SKIL consultați www.skil.com sau întrebați distribuitorul)

MEDIUL

- Nu aruncați sculele electrice, bateriile, accesoriile sau ambalajele direct la pubelele de gunoi (numai pentru țările din Comunitatea Europeană)
 - Directiva Europeană 2012/19/EC face referire la modul de aruncare a echipamentelor electrice și electronice și modul de aplicare a normelor în conformitate cu legislația națională; sculele electrice în momentul în care au atins un grad avansat de uzură și trebuie aruncate, ele trebuie colectate separat și reciclate într-un mod ce respectă normele de protecție a mediului înconjurător
 - simbolul ⑥ vă va reaminti acest lucru
- ! înainte aruncare protejați terminalele bateriei cu lentă protectoare pentru a preîntâmpina scurtcircuitul

ZGOMOT/VIBRAȚII

- Măsurat în conformitate cu EN62841, nivelul de presiune acustică al acestui instrument este 96 dB (A) și nivelul de putere acustică 107 dB (A) (incertitudine K = 3 dB) și vibrația *(suma vectorului triax; incertitudinea K = 1.5 m/s²)

* tăierea lemnului < 2.5 m/s²

* tăierea metalului < 2.5 m/s²

- Nivelul emisiilor de vibrații a fost măsurat în conformitate cu un test standardizat precizat în EN 62841; poate fi folosit pentru a compara o sculă cu alta și ca evaluare preliminară a expunerii la vibrații atunci când folosiți scula pentru aplicațiile menționate
 - utilizarea sculei pentru aplicații diferite sau cu accesorii diferite și prost întreținute poate crește semnificativ nivelul de expunere
 - momentele în care scula este oprită sau când funcționează dar nu execută nicio lucrare, pot reduce semnificativ nivelul de expunere
- ! **protejați-vă împotriva efectelor vibrațiilor prin întreținerea sculei și a accesoriilor sale, păstrând mâinile calde și organizând procesele de lucru**

BG

Безщетков компактен мултифункционален трион 3540

УВОД

- Този инструмент е предназначен за надлъжно и напречно рязане на дърво, ПДЧ, шперплат, алуминий, плочки, камък, пластмаса и леки строителни материали с прави и ъглови разрези до 45°
- Този инструмент не е предназначен за професионална употреба.
- Прочетете и пазете това ръководство за работа. ③

ТЕХНИЧЕСКИ ДАННИ ①

ЕЛЕМЕНТИ НА ИНСТРУМЕНТА ②

- A Шестостенен ключ
- B Място за съхранение на шестостенния ключ
- C Ръкохватка
- D Спусък превключвател
- E Предпазен изключвател
- F Бутон за заключване на шпиндела
- G Изходен отвор за извличане на прах
- H Адаптер за прахосмукачка
- J Предпазител против разкъсване
- K Винт за регулиране на направляващата планка
- L Индикатор на линията на рязане
- M Опорна планка
- N Вентилационни отвори
- P Индикатор за дълбочина на рязане
- Q Копче за задаване на дълбочина на рязане
- R Горен предпазен кожух
- S Лост за отваряне на долния предпазител
- T LED светлина
- U Копче за регулиране ъгъла на рязане
- V Индикатор за ъгъла на рязане
- W Долен предпазител
- X Повърхност за затягане
- Y Режещ диск с карбидни върхове
- Z Фланец

AA Болт за режещия диск

AB Бутон за индикация на нивото на батерията

AC Режещ диск от закалена стомана

AD Диамантен диск

БЕЗОПАСНОСТ

ОБЩИ ПРЕДУПРЕЖДЕНИЯ ЗА БЕЗОПАСНОСТ НА ЕЛЕКТРИЧЕСКИ ИНСТРУМЕНТИ

⚠ ПРЕДУПРЕЖДЕНИЕ Прочетете всички предупреждения за безопасност, инструкции, илюстрации и спецификации, предоставени с този електрически инструмент. Неспазването на всички инструкции изброени долу може да доведе до токов удар, пожар и/или сериозно нараняване.

Запазете всички предупреждения и инструкции за бъдеща справка.

Терминът "електрически инструмент" в предупрежденията се отнася до захранвани от мрежата (кабелни) електрически инструменти или захранвани чрез батерия (безкабелни) електрически инструменти.

1) БЕЗОПАСНОСТ В РАБОТНАТА ЗОНА

- Поддържайте работната зона чиста и добре осветена.** Разхвърляни или тъмни работни зони порождават инциденти.
- Не работете с електрически инструменти в експлозивна атмосфера, като например в присъствието на запалими течности, газ или прах.** Електрическият инструмент създава искра, която може да възпламени праха или изпаренията.
- Дръжте на разстояние децата и страничните лица, докато работите с електрически инструмент.** Разсейването може да причини загуба на контрол.

2) ЕЛЕКТРИЧЕСКА БЕЗОПАСНОСТ

- Щепселите на електрическия инструмент трябва да съответстват на контакта. Никога не модифицирайте щепсела по какъвто и да е начин. Не използвайте какъвто и да е адаптер със заземени електрически инструменти.** Немодифицираните щепсели и съответстващите контакти ще намалят риска от електрически шок.
- Избягвайте контакт на тялото със заземени повърхности като тръби, радиатори, нухненски печки и хладилници.** Съществува повишена опасност от токов удар, ако тялото Ви е заземено.
- Не излагайте електрическите инструменти на дъжд или влажни условия.** Навлизането на вода в електрическия инструмент ще увеличи риска от токов удар.
- Не злоупотребявайте с кабела. Никога не използвайте кабела за пренасяне, изтегляне или изключване от контакта на електрическия инструмент. Дръжте кабела настрана от топлина, масло, остри ръбове или движещи се части.** Повредени или оплетени кабели увеличават риска от електрически удар.
- Когато работите с електрически инструмент на открито, използвайте удължителен кабел**

- подходящ за употреба на открито. Употребата на кабел подходящ за употреба на открито намалява риска от електрически удар.
- f) **Ано работата с електрическия инструмент на влажно място е неизбежна, използвайте захранване с дефентнотонова защита (RCD).** Употребата на RCD намалява риска от токов удар.
- 3) **ЛИЧНА БЕЗОПАСНОСТ**
- a) **Внимавайте, гледайте какво правите и използвайте здрав разум, когато работите с електрически инструмент. Не използвайте електрически инструмент, когато сте уморени или когато сте под влияние на наркотици, алкохол или лекарства.** Момент невнимание по време на работата с електрически инструмент, може да доведе до сериозно лично нараняване.
- b) **Използвайте лични предпазни средства. Винаги носете защита за очите.** Защитно оборудване като прахови маски, не плъзгачи се безопасно обувки, твърда каска или защита за слуха използвана при подходящи условия ще намали риска от лични наранявания.
- c) **Предотвратете непреднамерено пускане. Уверете се, че ключът е в изключена позиция, преди да свържете към захранване и/или батерия, повдигайки или носейки инструмента.** Пренасянето на електроинструменти с пръст на превключвателя или наелектризиранни електроинструменти с включен превключвател създава условия за злополуки.
- d) **Извадете всеки регулиращ ключ или гаечен ключ, преди да включите захранването.** Гаечен или друг ключ оставен закачен към въртящите се части на електрическия инструмент, може да доведе до лично нараняване.
- e) **Не се протягайте. Запазете правилна стойка и баланс по всяко време.** Това позволява по-добър контрол върху електрическия инструмент в непредвидени ситуации.
- f) **Дръжте косата и дрехите си далеч от движещи се части.** Свободни дрехи, накити или дълга коса, могат да бъдат хванати в движещите се части.
- g) **Ано са предоставени устройства за свързване на прахоуловител или съоръжения за събиране, уверете се, че те са свързани и са правилно използвани.** Употребата на устройства за събиране на прах може да намали рисковете свързани с прах.
- h) **Не позволявайте на рутинността придобита от честата употреба на инструмента да позволи да станете небрежни и да игнорирате принципите за безопасност на инструмента.** Небрежно действие може да причини сериозно нараняване за части от секундата.
- 4) **УПОТРЕБА И ГРИЖА ЗА ЕЛЕКТРИЧЕСКИЯ ИНСТРУМЕНТ**
- a) **Не пресилвайте електрически инструмент. Използвайте правилния електрически инструмент за вашата работа.** Правилният електрически инструмент ще свърши работата по-добре и по-безопасно при капацитета за който е проектиран.
- b) **Не използвайте електрически инструмент ано ключът не го включва или изключва.** Всеки електрически инструмент, който не може да бъде контролиран от ключа е опасен и трябва да бъде поправен.
- c) **Разнакайте щепсела от захранването и/или извадете батерията, ано може да се извади, от електрическия инструмент, преди да извършите настройки, смяна на аксесоари или съхраняване на инструментите.** Подобни превантивни мерки за безопасност намаляват риска от стартиране на инструмента инцидентно.
- d) **Дръжте свободния електрически инструмент извън достъпа до деца и не позволявайте хора, които не са запознати с електрическия инструмент или тези инструкции да работят с него.** Електрическите инструменти са опасни в ръцете на необучени потребители.
- e) **Поддръжка на електрически инструменти и аксесоари. Проверете за разместване или блокиране на подвижни части, счупване на части, и всякакви други условия, които могат да повлияят на работата на електрическия инструмент. При повреда ремонтирайте инструмента преди употреба.** Много инциденти са причинени от лошо поддържани електрически инструменти.
- f) **Дръжте режещите инструменти остри и чисти.** Правилно поддържани режещи инструменти, с остри режещи ръбове е по-малко вероятно да се заклещат и по-лесно се контролират.
- g) **Използвайте електрическия инструмент, аксесоарите, частите на инструмента и т.н. в съответствие с тези инструкции, като вземете предвид условията на работа и вида работа, която ще бъде извършвана.** Употребата на електрическия инструмент за дейности различни от предназначенията може да доведе до опасни ситуации.
- h) **Дръжте ръкохватките и повърхностите за захващане сухи, чисти и без масло и грес.** Хлъзгавите ръкохватки и места за захващане не позволяват безопасно боравене и контролиране на инструмента при неочаквана ситуация.
- 5) **УПОТРЕБА И ГРИЖА ЗА ИНСТРУМЕНТ С БАТЕРИЯ**
- a) **Презаредяйте само със зарядното устройство определено от производителя.** Зарядно устройство, което е подходящо за един вид акумулаторна батерия може да създаде опасност от пожар, когато се използва с друга акумулаторна батерия.
- b) **Използвайте електрически инструменти само със специфично обозначени акумулаторни батерии.** Използването на всяка друга акумулаторна батерия може да създаде риск от нараняване и пожар.
- c) **Когато акумулаторните батерии не са в употреба ги дръжте на разстояние от други метални обекти, като кламери, монети, ключове, пирони, отвертки или други малки метални предмети, които могат да направят свързване между клемите.** Свързване на късо на клемите на батерията може да причини изгаряне или пожар.
- d) **При условия на злоупотреба, може да се изхвърли течност от батерията. Избягвайте**

контакт. В случай на инцидентен контакт измийте с вода. Ако течността влезе в контакт с очите, потърсете допълнително медицинска помощ. Течността изхвърлена от батерията може да причини раздразнение или изгаряния.

- e) **Не използвайте акумулаторна батерия или инструмент, които са повредени или модифицирани.** Повредените или модифицираните батерии може да проявят непредсказуемо поведение, което да доведе до пожар, експлозия или риск от нараняване.
 - f) **Не излагайте батерията или инструмента на огън или прекомерна температура.** Излагане на огън или температури над 130 °C може да причини експлозия.
 - g) **Следвайте всички инструкции за зареждане и не зареждайте батерията или инструмента извън температурния обхват зададен в инструкциите.** Неправилното зареждане или зареждане извън определения температурен обхват може да повреди батерията и да повиши риска от пожар.
- 6) ОБСЛУЖВАНЕ**
- a) **Обслужвайте вашия електрически инструмент чрез квалифициран техник, като използвате само идентични резервни части.** Това ще осигури поддържането на безопасност на електрическия инструмент.
 - b) **Никога не поправяйте повредени акумулаторни батерии.** Ремонтът на акумулаторни батерии трябва да бъде извършван от производителя или оторизиран сервиз.

ИНСТРУКЦИИ ЗА БЕЗОПАСНОСТ ЗА ЦИРКУЛЯРНИ ТРИОНИ

Процедури за рязане

- a) **ОПАСНОСТ: Дръжте ръцете си далеч от зоната на рязане и режещия диск.** Ако и двете ръце държат триона, те не могат да бъдат прерязани от режещия диск.
- b) **Не посягайте под детайла.** Предпазителят не може да ви предпази от диска под детайла.
- c) **Регулирайте дълбочината на рязане според дебелината на детайла.** Под детайла трябва да се виждат по-малко от един пълен зъб на зъбите на диска.
- d) **Никога не дръжте детайла в ръце или напречно на крака си, докато режете.** Закрепете детайла към стабилна платформа. Важно е да поддържате детайла правилно, за да сведете до минимум излагането на риск на тялото, засядането на диска или загубата на контрол.
- e) **Дръжте електрическите инструменти само за изолираните повърхности за захващане, когато изпълнявате операция, при която режещият инструмент може да влезе в контакт със скрит кабел.** Контакт с кабел „под напрежение“ може да направи откритите метални части „под напрежение“ и може да причини на оператора токов удар.
- f) **Ногата разделяте, винаги използвайте ограда за разделяне или водач с прав ръб.** Това подобрява

точността на рязане и намалява вероятността от засядане на диска.

- g) **Винаги използвайте режещи дискове с правилния размер и форма (във вид на диамант вместо кръгли) на отворите за закрепване.** Режещи дискове, които не съответстват на монтажните елементи на циркулярния трион, ще се въртят ексцентрично, причинявайки загуба на управление.
- h) **Никога не използвайте повредени или неправилни шайби или болтове.** Шайбите и болтовете на диска са специално проектирани за вашия трион, за оптимална работа и безопасност при работа.

Причини за откат и свързани предупреждения

- Откат е внезапна реакция на притиснат, заседнал или неправилно подравнен диск на триона, причиняващ неконтролирано повдигане на триона нагоре и навън от детайла към оператора;
- Когато дискът е притиснат или здраво заседнал от затварянето на прореза, дискът спира и двигателната реакция придвижва устройството бързо обратно към оператора;
- Ако дискът се усуче или се разцентрова в разреза, зъбите на задния ръб на диска могат да се заклинят в горната повърхност на дървото, причинявайки изкачване на диска от вдлъбнатината и отскачане назад към оператора.

Откатът е в резултат на злоупотреба с триона и/или неправилни процедури или условия на работа и може да бъде избегнат като се вземат правилни предпазни мерки, които са посочени долу.

- a) **Поддържайте здрав захват на триона и разположете ръцете си така, че да се противопоставят на силите на отката.** Разположете тялото си от двете страни на режещия диск, но не на една линия с него. Откатът може да доведе до отскачане на триона назад, но силата на отката може да се контролира от оператора, ако се вземат подходящи предпазни мерки.
- b) **Когато дискът е заседнал или когато пренъсват рязането по някаква причина, освободете спусъка и задръжте триона неподвижен в материала, докато дискът спре напълно. Никога не се опитвайте да извадите триона от детайла или да дърпате триона назад, докато дискът е в движение или може да настъпи откат.** Проучете и предприемете коригиращи действия, за да отстраните причината за засядането на диска.
- c) **Когато рестартирате трион в детайла, центрирайте режещия диск в прореза, така че зъбите на триона да не се зацепват в материала.** Ако дискът на триона заседне, той може да се изкачи или да отскочи от детайла при рестартирането на триона.
- d) **Поддържайте големи панели, за да сведете до минимум риска от прищипване и откат на диска.** Големите панели са склонни да провисват под собственото си тегло. Опорите трябва да се поставят

под панела от двете страни, близо до линията на рязане и близо до ръба на панела.

- e) **Не използвайте тъпи или повредени дискове.** Незаточени или неправилно поставени режещи дискове произвеждат тесен срез причиняващ прекомерно триене, засядане на диска и откат.
- f) **Заклучащите лостове за регулиране на дълбочината и наклона трябва да са затегнати и сигурни, преди да извършите рязането.** Ако регулирането на диска се измести по време на рязане, това може да причини засядане и откат.
- g) **Бъдете особено внимателни при рязане в съществуващи стени или други слепи зони.** Издаващият се диск може да отреже предмети, които могат да причинят откат.

Функция на долния предпазител

- a) **Преди всяка употреба проверявайте долния предпазител за правилно затваряне. Не работете с триона, ако долният предпазител не се движи свободно и се затваря незабавно. Никога не захващайте и не завързвайте долния предпазител в отворено положение.** Ако трионът бъде изпуснат случайно, долният предпазител може да се огъне. Повдигнете долния предпазител с прибиращата се дръжка и се уверете, че се движи свободно и не докосва диска или която и да е друга част, във всички ъгли и дълбочини на рязане.
- b) **Проверете работата на пружината на долния предпазител. Ако предпазителят и пружината не работят правилно, те трябва да бъдат обслужени преди употреба.** Долният предпазител може да работи бавно поради повредени части, лепкави отлагания или натрупване на отломки.
- c) **Долният предпазител може да се прибира ръчно само за специални разрези като „врязващи се разрези“ и „сложни разрези“.** Повдигнете долния предпазител за прибиращата се дръжка и веднага щом дисът влезе в материала, долният предпазител трябва да се освободи. За всички други видове рязане долният предпазител трябва да работи автоматично.
- d) **Винаги съблюдавайте това, долният предпазител да покрива диска, преди да поставите триона върху пейка или под.** Незащитен, движещ се по инерция диск ще накара триона да се върти назад, като отрязва всичко всичко, което му попадне по своя път. Бъдете наясно с времето, необходимо за спиране на диска, след освобождаване на превключвателя.

ДОПЪЛНИТЕЛНИ УКАЗАНИЯ ЗА БЕЗОПАСНА РАБОТА

ОБЩИ

- Този инструмент не трябва да се използва от лица под 16 години
- Този инструмент не е подходящ за мокро рязане
- **Не обработвайте съдържащ азбест материал (азбестът е канцерогенен)**
- Прахът от някои материали, като например съдържаща олово боя, някои видове дървесина,

минерали и метали може да бъде вреден (контакт или вдишване на такъв прах могат да причинят алергични реакции и/или респираторни заболявания на оператора или стоящите наблизо лица); **използвайте противопрахова маска и работете с аспиращо праха устройство, когато такова може да бъде свързано**

- Определени видове прах са класифицирани като карциногенни (като прах от дъб и бун) особено когато са комбинирани с добавки за подобряване на състоянието на дървесината; **използвайте противопрахова маска и работете с аспиращо праха устройство, когато такова може да бъде свързано**
- Следвайте дефинираните по БДС изисквания относно запрашеността за материалите, които желаете да обработвате
- Не използвайте този циркуляр в комбинация с маса за рязане
- Изваждайте батерията от инструмента преди всякакви регулировки или смяна на принадлежности

АКСЕСОРИ

- SKIL може да осигури безаварийна работа на електроинструмента само ако се използват оригинални допълнителни приспособления
- Използвайте само циркулярни дискове, които съответстват на посочените в това ръководство за експлоатация данни и са изпитани и маркирани по EN 847-1, ако са предназначени за дървесина и подобни на дървесина материали.
- Използвайте само принадлежности, чиято допустима скорост на въртене е поголяма или равна на максималната скорост на въртене на празен ход на електроинструмента
- **Използвайте само режещи дискове с минимален диаметър от 115 мм, максимален диаметър от 120 мм и отвор на шпиндела от 9,5 мм**
- С този инструмент никога не използвайте шлифовачни дискове
- Работете и съхранявайте аксесоари внимателно
- Определяте правилния режещ диск за триона, който трябва да се използва за рязания материал.

ПРЕДИ УПОТРЕБА

- Избягвайте повреди, които могат да бъдат причинени от винтове, гвоздеи и други метални елементи в обработвания детайл; отстранете ги преди да започнете работа
- Премахнете всички препятствия върху повърхността, а също и под пътя на рязане, преди да започнете рязането
- **Обезопасете работния материал** (материал, затегнат в затягащ инструмент или в менгеме е по-устойчив, отколкото ако се държи в ръка)
- **За да откриете скрити под повърхността електро-, водо- и газопроводи, използвайте подходящи уреди или се обърнете за помощ към местното снабдително дружество** (контакт с електрически проводници под напрежение може да предизвика пожар и/или токов удар; увреждането на газопровод може да предизвика експлозия; засягането на водопровод може да предизвика материални щети или токов удар)

ПРИ УПОТРЕБА

- При работа нивото на шума може да надвиши 85 dB(A); носете анттифони
- Не използвайте никога инструмента без

оригиналната му предпазна система

- Не правете опити да режете извънредно малки детайли
- Не работете с инструмента над глава
- В случай на засядане или електрическа, или механична неизправност изключете незабавно инструмента и извадете батерията.

СЛЕД РАБОТА

- Преди да приберете инструмента, изключете мотора и се уверете, че всички движещи се части са преустановили движението
- След изключване на циркуляра никога не спирайте въртенето на диска чрез прилагане на странична сила върху него

АНУМУЛАТОРНИ БАТЕРИИ

- Доставената в комплекта батерия е частична заредена (за да осигурите пълен капацитет на батерията, заредете напълно батерията в зарядното устройство за батерия, преди да използвате вашия електроинструмент за първи път)
- Използвайте само следните батерии и зарядни устройства с този инструмент
 - SKIL батерия: BR1*31****
 - SKIL зарядно устройство: CR1*31****
- Не използвайте батерията, когато е повредена; тя трябва да бъде заменена
- Не разглобявайте батерията
- Не излагайте на дъжд инструмента/батерията
- Допустима околна температура (инструмент/зарядното устройство/батерия):
 - при зареждане 4...40°C
 - по време на работа -20...+50°C
 - при съхраняване -20...+50°C

ОБЯСНЕНИЕ НА СИМВОЛИТЕ ПО ИНСТРУМЕНТА/ АНУМУЛАТОРНАТА БАТЕРИЯ

- ③ Преди употреба прочетете ръководството с указания
- ④ Хвърлен в огън, акумулаторът ще експлодира, така че не изгаряйте акумулатора по каквато и да е причина
- ⑤ Съхранявайте инструмента/зарядното устройство/батерията в помещениа при температури, не по-високи от 50°C
- ⑥ Не изхвърляйте електроуредите и батерии заедно с битови отпадъци

УПОТРЕБА

- Зареждане на акумулаторната батерия
! прочетете предупрежденията и инструкциите за безопасност, доставени със зарядното устройство
- Изваждане/инсталиране на батерията ②
- Индикатор за нивото на заряд на батерията ⑦
 - натиснете бутон за индикатора на нивото на заряд на батерията АВ за показване на текущото ниво на заряд на батерията ⑦а
 - ! Когато най-ниското ниво на индикатора за батерията започне да мига след натискане на бутона АВ ⑦b, батерията е разредена**
 - ! Когато 2 нива на индикатора на батерията започнат да мигат след натискане на бутона АВ ⑦с, батерията не е в допустимия работен температурен диапазон**
- LED светлина Т ⑧
- LED светлината светва автоматично, когато

инструментът започне да работи

! когато светодиодът започне да мига, защитата на батерията е активирана (вижте по-долу)

- Защитата на батерията
Инструментът внезапно се изключва или не позволява да се включи, когато
 - **натоварването е прекалено голямо** -> премахнете натоварването и рестартирайте
 - **температурата на батерията е извън допустимия работен температурен диапазон от -20 до +50°C** -> 2 нива на индикатора за заряд на батерията започват да мигат, когато натискате бутона АВ 7с; изчакайте, докато батерията си възвърне допустимия работен температурен диапазон
 - **батерията е почти празна (за предпазване срещу пълно разреждане)** -> ниско ниво на батерията или мигащо ниско ниво на батерията ub е показано чрез индикатора за заряд на батерията, когато натискате бутона АВ; заредете батерията
- ! след автоматичното изключване на инструмента не продължавайте да натискате спусъка, понеже може да се повреди акумулаторът**
- Поставяне на острие ②
! изваждайте батерията от инструмента
 - вземете шестостенния ключ А от мястото му за съхранение В
 - натиснете бутона за блокиране на шпиндела F и го задържете, докато отстраните болта на диска AA като въртите шестостенния ключ А ПО ЧАСОВНИКОВАТА СТРЕЛКА (= в същата посока, както е показано със стрелка върху режещия диск)
 - ! натискайте бутона за блокиране на шпиндела F само, когато инструментът е напълно спрял**
 - освободете бутона за блокиране на шпиндела F
 - отстранете фланеца Z
 - ! проверете дали затягащите повърхности X на фланците са съвършено чисти и с лице към диска**
 - отворете долния предпазител W с лостчето S и го задържете, докато поставите режещия диск, така че режещите зъби и стрелката върху диска да сочат в същата посока, както и стрелката върху горния предпазител
 - освободете долния предпазител W
 - поставете фланеца Z
 - натиснете бутона за блокиране на шпиндела F го задържете, докато затягате болта с шестостенен ключ на 1/8 оборота след позицията на ръчно затягане (позволява приплъзване на режещия диск при голямо съпротивление, което намалява претоварването на двигателя и отката)
 - освободете бутона за блокиране на шпиндела F
- Регулиране на дълбочината на рязане (0-41 mm) ⑨
 - за рязане с оптимално качество режещият диск не трябва да се издава на повече от 3 mm отдолу на обработвания детайл
 - разлабете копчето Q
 - повдигнете/свалете опората M, докато на скалата бъде настроена дълбочината на рязане, като използвате индикатора P
 - затегнете копчето Q

- Регулиране на ъгъла на рязане (0-45°) ⑩
 - разхлабете копчето U
 - наклонете инструмента, докато на скалата бъде настроен ъгълът на рязане, като използвате индикатора V
 - затегнете копчето U
 - ! **при рязане на скосвания, дълбочината на рязане не съответства на стойността на скалата за дълбочина на рязане**
- Индикатор на линията на рязане L ⑪
 - за водене на инструмента по желаната линия на рязане, отбелязана върху детайла
 - за право рязане под ъгъл 0° или рязане на скосвания под ъгъл 45° използвайте съответната индикаторна линия
 - ! **широката част на опората трябва да легне върху поддържаната страна на обработвания детайл**
 - ! **ширината на рязане се определя от ширината на зъбите на диска, а не от ширината на тялото на диска**
 - ! **винаги първо извършвайте пробни рязания, за да проверите действителната линия на рязане**
- Изсмукване на праха ⑫
 - При използване на прахосмукачка
 - свържете маркуча на прахосмукачката към адаптера за прахосмукачка H
 - ! **внимавайте тръбата на прахосмукачката да не пречи на долния предпазител или на операцията рязане**
 - ! **не използвайте прахосмукачката, когато режете метал**
- Работа с инструмента
 - поставете батерията
 - винаги дръжте здраво ръкохватката C
 - поставете инструмента с предната част на опората плътно обработвания детайл
 - ! **уверете се, че зъбите на циркуляра не са забити в обработвания детайл**
 - включете инструмента включете инструмента, като първо натиснете копчето E (= защитен превключвател, който не може да се блокира) а след това дръпнете спусъка D
 - ! **преди режещият диск да влезе в детайла, инструментът трябва да работи на пълна скорост**
 - долният предпазител W се отваря автоматично, когато режещият диск влезе в обработвания детайл (отворете долния предпазител ръчно като използвате лостчето S само за специални рязания, например рязане на вътрешни прорези)
 - ! **не насилвайте инструмента (прилагайте лек и непрекъснат натиск, за да не прегреят върховете на остриетата)**
 - ! **по време на работа, винаги дръжте инструмента за областта(ите) за хващане**
 - след завършване на рязането, изключете инструмента чрез освобождаване на спусъка D
 - ! **преди да вдигнете инструмента от детайла се уверете, че ножът е в пълн покой**

- Винаги обръщайте добрата страна на детайла надолу, за да осигурите минимално раздробяване при рязане на дърво и дървоподобни материали.
- Производителността и качеството на рязане зависят основно от състоянието и броя на зъбите на режещия диск.
- Използвайте само остри режещи дискове, които са подходящи за рязания материал ⑬
 - използвайте циркуляр от закалена стомана AC ② за рязане на дърво, алуминий, пластмаса и всички видове ламинирано дърво
 - използвайте диамантен диск AD ② за рязане на керамика и плочки
 - режещите дискове с карбиден връх Y ② остават остри до 30 пъти по-дълго време от обикновените режещи дискове
- Паралелен водач J ⑭
 - за извършване на точни рязания по продължение на ръба на детайла
 - вкарайте през отворите в предната част на опората Настройка на предпазителя против разкъсване
 - разхлабете винта K с помощта на шестостенен ключ A
 - регулирайте до желаната ширина на рязане, като използвате скалата на паралелния предпазител (използвайте индикатора за линия на рязане L като еталон за 0)
 - затегнете винта K
- Рязане с връзване ⑮
 - задайте желаната дълбочина на рязане
 - наклонете инструмента към индикатора на линията на рязане L подравнен с желаната линия на рязане, маркирана на обработвания детайл
 - отворете долния предпазител W с лостчето S
 - точно преди режещият диск да влезе в обработвания детайл, включете инструмента и постепенно наведете задния край на инструмента, като използвате предния край на опората като точка на въртене
 - постепенно преместете инструмента надолу, а също и напред
 - веднага щом режещият диск навлезе в материала, освободете лостчето S
 - ! **никога не дърпайте инструмента назад**
- Рязане на големи панели ⑯
 - поставете таблото на стойка близо до мястото на рязане или на пода, масата или тезгяха
 - ! **настройте дълбочината на рязане така, че да режете през панела, а не през стойката**
 - в случай че паралелният водач не позволява желаната ширина на рязане, стегнете или приковете право парче дърво към обработвания детайл като водач и използвайте лявата страна на опората срещу този водач ⑰
- За повече информация вижте www.skil.com

ПОДДРЪЖКА/СЕРВИЗ

- Този инструмент не е предназначен за професионална употреба
- Винаги поддържайте инструмента чист (особено вентилационните отвори N)
- ! **извадете батерията от инструмента преди почистване**

УКАЗАНИЯ ЗА РАБОТА

- Винаги поддържайте чиста зоната около долния предпазител W ② (отстранете чрез издухване със съгъстен въздух или с четка праха и стърготините)
- Почиствайте режещия диск непосредствено след употреба (особено от смола и лепило)
- Ако въпреки прецизното производство и внимателно изпитване възникне повреда, инструмента да се занесе за ремонт в оторизиран сервиз за електроинструменти на SKIL
 - занесете инструмента в неразглобен вид заедно с доказателство за покупката му в търговския обект, откъдето сте го закупили, или в най-близкия сервиз на SKIL (адресите, както и схемата за сервизно обслужване на електроинструмента, можете да намерите на адрес www.skil.com)
- Имайте предвид, че повреда поради претоварване или неправилно манипулиране с инструмента ще бъдат изключени от гаранцията (за условията на гаранцията от SKIL виж на интернет адрес: www.skil.com или попитайте вашия дилър)

ENVIRONMENT

- Do not dispose of electric tools, batteries, accessories and packaging together with household waste material (only for EU countries)
 - in observance of European Directive 2012/19/EC on waste of electric and electronic equipment and its implementation in accordance with national law, electric tools that have reached the end of their life must be collected separately and returned to an environmentally compatible recycling facility
 - symbol ③ will remind you of this when the need for disposing occurs
- ! **prior to disposal protect battery terminals with heavy tape to prevent short-circuit**

NOISE / VIBRATION

- Measured in accordance with EN 62841 the sound pressure level of this tool is 96 dB(A) and the sound power level 107 dB(A) (uncertainty K = 3 dB), and the vibration * (triax vector sum; uncertainty K = 1.5 m/s²)
 - * cutting wood < 2.5 m/s²
 - * cutting metal < 2.5 m/s²
- The vibration emission level has been measured in accordance with a standardised test given in EN 62841; it may be used to compare one tool with another and as a preliminary assessment of exposure to vibration when using the tool for the applications mentioned
 - using the tool for different applications, or with different or poorly maintained accessories, may significantly increase the exposure level
 - the times when the tool is switched off or when it is running but not actually doing the job, may significantly reduce the exposure level
- ! **protect yourself against the effects of vibration by maintaining the tool and its accessories, keeping your hands warm, and organizing your work patterns**

SK

Bezkontaktná kompaktná viacúčelová píla

3540

ÚVOD

- Tento nástroj je určený na pozdĺžne a priečne rezanie dreva, drevotriesky, preglejky, hliníka, dlaždíc, kameňa, plastov a ľahkých stavebných materiálov s rovnými rezní, ako aj uhlovými rezní do 45
- Toto náradie nie je vhodné pre profesionálne použitie.
- Prečítajte a uschovajte si tento návod na použitie. ③

TECHNICKÉ ÚDAJE ①

ČASTI NÁRADIA ②

- A Imbusový kľúč
- B Úložné miesto pre imbusový kľúč
- C Rukoväť
- D Hlavný vypínač
- E Bezpečnostný spínač
- F Tlačidlo aretácie vretena
- G Otvor na odsávanie prachu
- H Adaptér na vysávač
- J Vodidlo pre pozdĺžne rezanie
- K Skrutka na nastavenie vodidla pre pozdĺžne rezanie
- L Ryska rezu
- M Základňa pätky
- N Vetracie štrbiny
- P Indikátor hĺbky rezu
- Q Koliesko na nastavenie hĺbky rezu
- R Horný chránič
- S Páčka pre otvorenie spodného chrániča
- T LED svetlo
- U Gombík pre nastavenie uhlu rezania
- V Indikátor uhlu rezania
- W Spodný chránič
- X Upínacia plocha
- Y Pílový kotúč s karbidovým hrotom
- Z Príruba
- AA Kotúčová skrutka
- AB Tlačidlo kontrolky stavu akumulátora
- AC Pílový kotúč z tvrdej ocele
- AD Diamantový kotúč

BEZPEČNOSŤ

VŠEOBECNÉ BEZPEČNOSTNÉ UPOZORNENIA PRE ELEKTRICKÉ NÁRADIE

VAROVANIE Prečítajte si všetky bezpečnostné výstrahy, pokyny, ilustrácie a technické údaje dodané s týmto elektrickým nástrojom. Nedodržanie nižšie uvedených pokynov môže mať za následok úraz elektrickým prúdom, požiar a/alebo vážne zranenie.

Všetky varovania a pokyny si ponechajte pre prípadnú potrebu v budúcnosti.

Pojem „elektrické nástroje“ vo varovaniach sa vzťahuje na všetkých elektrických nástroj napájaný zo siete (s káblom) alebo nástroj napájaný z akumulátora (bez kábla).

1) BEZPEČNOSŤ PRACOVISKA

- a) **Udržujte pracovisko čisté a dobre osvetlené.** Neporiadok alebo tmavé miesta spôsobujú nehody.
- b) **Nepoužívajte elektrické nástroje vo výbušnom prostredí, napríklad v prítomnosti horľavých kvapalín, plynov alebo prachu.** Elektrické nástroje je zdrojom iskrenia, ktoré môže zapáliť prach alebo výpary.
- c) **Pri používaní elektrického nástroja udržiavajte deti a okolostojace osoby mimo pracoviska.** Rozptyľovanie pozornosti môže viesť ku strate kontroly.

2) ELEKTRICKÁ BEZPEČNOSŤ

- a) **Zástrčka elektrického nástroja musí zodpovedať elektrickej zásuvke. Nikdy a žiadnym spôsobom nemodifikujte zástrčku. Nepoužívajte žiadne rozbočovacie zástrčky s uzemneným elektrickým nástrojom.** Neupravené zástrčky a vhodné zásuvky obmedzujú nebezpečenstvo úrazu elektrickým prúdom.
- b) **Zabráňte kontaktu tela s uzemnenými povrchmi, ako sú rúry, radiátory, sporáky a chladničky.** Dochádza k zvýšeniu rizika úrazu elektrickým prúdom, ak je vaše telo uzemnené.
- c) **Chráňte elektrické nástroje pred dažďom a vlhkým prostredím.** Vniknutie vody do elektrického nástroja zvyšuje riziko úrazu elektrickým prúdom.
- d) **Nepoužívajte kábel nesprávnym spôsobom. Nepoužívajte ho na prenášanie, ťahanie alebo odopájanie elektrického nástroja. Udržujte kábel v dostatočnej vzdialenosti od zdrojov tepla, oleja, ostrých hrán alebo pohyblivých častí.** Poškodená alebo zamotaná šnúra zvyšuje riziko zasiahnutia elektrickým prúdom.
- e) **Ak sa chystáte nástroj použiť v exteriéroch, použite výhradne predĺžovaciu šnúru vhodnú na použitie v exteriéroch.** Použitie šnúry vhodnej pre použitie v exteriéroch znižuje riziko úrazu elektrickým prúdom.
- f) **Ak je používanie elektrického nástroja vo vlhkom prostredí nevyhnutné, použite napájanie chránené prúdovým chráničom (RCD).** Použitie prúdového chrániča znižuje riziko úrazu elektrickým prúdom.

3) BEZPEČNOSŤ OSÔB

- a) **Buďte pozorní, sledujte to, čo robíte a používajte zdravý rozum pri práci s elektrickým nástrojom. Nepoužívajte elektrické nástroje, ak ste unavení alebo pod vplyvom drog, alkoholu alebo liekov.** Chvilíková nepozornosť pri práci s elektrickým nástrojom môže mať za následok vážne zranenie.
- b) **Používajte osobné ochranné pomôcky. Vždy používajte ochranu očí.** Ochranné prostriedky ako respirátor, protišmyková bezpečnostná obuv, prilba alebo chrániče sluchu použité za vhodných podmienok znižujú nebezpečenstvo zranenia.
- c) **Zabráňte neúmyselnému uvedeniu do prevádzky. Pred pripojením k zdroju napájania a/alebo akumulátoru, pri zdvíhaní alebo prenášaní nástroja a uistite, že prepínač je vo vypnutej polohe.** Prenášanie nástroja s prstom na spínači, alebo prenášanie zapnutého elektrického nástroja zvyšuje riziko úrazu.
- d) **Pred spustením nástroja vždy odstráňte nastavovací**

klin alebo kľúč. Kľúč alebo klin, ktorý necháte pripojený k otáčajúcej sa časti elektrického nástroja, môže spôsobiť zranenie osôb.

- e) **Neprečunujte sa. Pri práci vždy dodržujte správny postoj a rovnováhu.** To umožní lepšiu ovládateľnosť nástroja v nečakaných situáciách.
 - f) **Udržujte vlasy a oblečenie mimo dosah pohyblivých častí.** Voľný odev, šperky alebo dlhé vlasy môžu byť zachytené pohyblivými časťami dielmi.
 - g) **Pokiaľ je nástroj vybavený zariadením na zachytávanie prachu a úlomkov materiálu, skontrolujte, či je k nástroju správne pripojené.** Použitie odsávania prachu môže znížiť nebezpečenstvo, ktoré súvisí s prachom.
 - h) **Neodvoľte, aby ste sa po získaní skúseností častým používaním nástroja stali neobozretnými a ignorovali zásady bezpečnosti.** Nedbalá činnosť môže spôsobiť vážne zranenie za zlomok sekundy.
- ### 4) POUŽITIE ELEKTRICKÉHO NÁSTROJA A STAROSTLIVOSŤ
- a) **Stroj nepreťažujte. Používajte správny typ nástroja určený na danú prácu.** Nástroj bude pracovať lepšie a bezpečnejšie pri rýchlosti, na ktorú bolo navrhnuté.
 - b) **Nepoužívajte elektrické nástroje, ak sa nedá zapnúť a vypnúť použitím vypínača.** Akékoľvek elektrické nástroje, ktoré sa nedá ovládať vypínačom je nebezpečné a musí sa opraviť.
 - c) **Pred akýmkoľvek úpravami, výmenou príslušenstva alebo uskladnením elektrického nástroja odpojte zástrčku od zdroja napájania a/alebo vyberte z nástroja akumulátor, ak je odpojiteľný.** Takéto preventívne bezpečnostné opatrenia znižujú riziko náhodného spustenia elektrického nástroja.
 - d) **Uchovávajte nepoužívané elektronáradie mimo dosahu detí a neodovoľte, aby osoby neoboznamené s elektrickým nástrojom alebo s týmito pokynmi nástroj používali.** Elektrické nástroje je nebezpečné v rukách neskusených používateľov.
 - e) **Udržujte elektrické nástroje a príslušenstvo. Skontrolujte nastavenie pohyblivých častí, poškodenie dielov a akékoľvek ďalšie okolnosti, ktoré môžu mať vplyv na funkciu elektrického nástroja. Ak je elektrické nástroje poškodené, nechajte ho pred použitím opraviť.** Veľa úrazov je zapríčinených zle udržiavanými nástrojmi.
 - f) **Strihacie nástroje udržiavajte ostré a čisté.** Starostlivo ošetrované strihacie nástroje s ostrými čepeľami menej pravdepodobne uviaznu a jednoduchšie sa ovláda.
 - g) **Používajte elektronáradie, príslušenstvo, nástroje apod. podľa týchto pokynov a rešpektujte pritom pracovné podmienky a vykonávanú činnosť.** Použitie elektrického nástroja na iné ako určené účely môže viesť k nebezpečným situáciám.
 - h) **Udržujte rukoväte a uchopovacie plochy suché, čisté, bez oleja a maziva.** Klzké držiadla a uchopovacie plochy neumožňujú bezpečnú manipuláciu s nástrojom a jeho ovládanie v nečakaných situáciách.
- ### 5) POUŽÍVANIE A STAROSTLIVOSŤ O NÁSTROJE NA AKUMULÁTOR
- a) **Nabíjajte len pomocou nabíjačky špecifikovanej výrobcom.** Nabíjačka, ktorá je vhodná pre jeden typ akumulátora, môže predstavovať pri nabíjaní iného typu akumulátora nebezpečenstvo.

- b) **Používajte elektrické náradie iba s výslovné určenými akumulátormi.** Použitie iných typov akumulátorov môže spôsobiť riziko úrazu a požiaru.
- c) **Pokiaľ akumulátor nepoužívate, držte ho mimo dosahu kovových predmetov, ako sú kancelárske sponky na papier, mince, kľúče, klince, skrutky alebo ďalšie drobné kovové predmety, ktoré môžu spôsobiť vzájomné skratovanie kontaktov.** Skratovanie kontaktov akumulátora môže spôsobiť popálenie alebo požiar.
- d) **Za nevhodných podmienok môže z akumulátora unikáť kvapalina. Zabráňte kontaktu. Pri náhodnom kontakte opláchnite vodou. Pri zasiahnutí očí vyhľadajte lekársku pomoc.** Unikajúca kvapalina z akumulátora môže spôsobiť podráždenie pokožky alebo popálenie.
- e) **Nepoužívajte akumulátor alebo náradie, ktoré sú poškodené alebo upravené.** Poškodené alebo upravené akumulátory môžu mať nepredvídateľné chovanie, ktoré môže viesť k požiaru, výbuchu alebo nebezpečenstvu poranenia.
- f) **Nevystavujte akumulátor ani náradie ohňu alebo nadmernej teplote.** Pri vystavení ohňu alebo teplote nad 130 ° C môže dôjsť k výbuchu.
- g) **Dodržujte všetky pokyny pre nabíjanie a nenabíjajte akumulátor alebo náradie mimo rozsah teplôt uvedených v pokynoch.** Nesprávne nabíjanie alebo nabíjanie pri teplotách mimo stanovený rozsah môže poškodiť akumulátor a zvýšiť riziko požiaru.
- 6) **SERVIS**
- a) **Náradie zverte do opravy kvalifikovanej osobe, ktorá použije iba originálne náhradné diely.** Zabezpečíte tak zachovanie bezpečnosti elektrického náradia.
- b) **Nikdy neopravujte poškodené akumulátory.** Servis akumulátorov smie robiť iba výrobca alebo autorizovaní servisní poskytovatelia.

BEZPEČNOSTNÉ POKYNY PRE KOTUČOVÉ PÍLY

Postupy rezania

- a) **NEBEZPEČENSTVO: Držte ruky mimo oblastí rezu a kotúča.** Ak pílu držia obe ruky, kotúč ich nemôže prerezať.
- b) **Nesiahajte pod obrobok.** Ochranný kryt vás nemôže chrániť pred kotúčom pod obrobkom.
- c) **Hĺbku rezu prispôbte hrúbke obrobku.** Pod obrobkom by mal byť viditeľný menej ako celý zub kotúčovej píly.
- d) **Pri rezaní nikdy nedržte obrobok v rukách alebo cez nohu. Zaisťte obrobok na stabilnej plošine.** Je dôležité správne podoprieť opracovaný materiál, aby sa minimalizovalo vystavenie tela, uviaznutie kotúča alebo strata kontroly.
- e) **Pri činnostiach, pri ktorých môže rezný nástroj prísť do kontaktu so skrytým vedením, držte elektrické náradie za izolované rukoväte.** Kontakt so „živým“ vodičom spôsobí, že aj nekraté kovové časti elektrického náradia budú „živé“ a operátorovi môže spôsobiť úraz elektrickým prúdom.
- f) **Pri pozdĺžnom rezaní vždy používajte vodiace alebo priamočiare vodidlo.** Zlepšuje to presnosť rezu

a znižuje možnosť uviaznutia kotúča.

- g) **Vždy používajte kotúče so správnou veľkosťou a tvarom (kosoštvorcový verzus okrúhly) upínacích otvorov.** Kotúče, ktoré sa nezhodujú s montážnym príslušenstvom píly, sa budú pohybovať mimo stred, čo spôsobí stratu kontroly.
- h) **Nikdy nepoužívajte poškodené alebo nesprávne podložky alebo skrutky kotúča.** Podložky a skrutky kotúča boli navrhnuté špeciálne pre vašu pílu, aby bol zaistený optimálny výkon a bezpečnosť prevádzky.

Príčiny spätného rázu a súvisiace upozornenia

- Spätňý ráz je náhla reakcia na zovretý, zaseknutý alebo nesprávne zarovnaný pilový kotúč, čo spôsobí, že sa píla nekontrolovane zdvihne a vysunie z obrobku smerom k operátorovi.
- Keď sa pilový kotúč tesne priškrípne alebo zasekne zatváraním zárezu, kotúč sa zastaví a reakcia motora poháňa prístroj rýchlo späť k operátorovi.
- Ak sa kotúč pri reze skrúti alebo zle zarovná, zuby na zadnej hrane kotúča sa môžu zaryť do horného povrchu dreva, čo spôsobí, že kotúč vyskočí zo zárezu späť k operátorovi.

Spätňý ráz je dôsledkom nesprávneho použitia píly a/alebo nesprávnych prevádzkových postupov alebo podmienok a dá sa mu vyhnúť prijatím vhodných predbežných opatrení uvedených nižšie.

- a) **Pílu pevne uchopte a ruky umiestnite tak, aby odolali silám spätného rázu. Umiestnite svoje telo po stranách kotúča, ale nie v jednej rovine s kotúčom.** Spätňý ráz môže spôsobiť, že píla skočí dozadu, ale sily spätného rázu môže ovládať operátor, ak sa prijímajú vhodné opatrenia.
- b) **Keď sa kotúč zasekne alebo z akéhokoľvek dôvodu preruší rez, uvoľnite hlavný vypínač a držte pílu nehybne v materiáli, kým sa kotúč úplne nezastaví. Nikdy sa nepokúšajte pílu vytriahnuť z rezu alebo ju ťahať dozadu, pokiaľ je kotúč v pohybe, inak by mohlo dôjsť k spätnému rázu.** Preskúmajte a vykonajte nápravné opatrenia na odstránenie príčiny uviaznutia kotúča.
- c) **Pri opätovnom spustení píly v obrobku vycentrujte pilový kotúč v záreze tak, aby zuby píly nezasažovali do materiálu.** Ak sa pilový kotúč zasekne, môže sa pri opätovnom spustení píly zdvihnúť alebo spôsobiť spätňý ráz od obrobku.
- d) **Podoprite veľké panely, aby ste minimalizovali riziko zovretia kotúča a spätného rázu.** Veľké panely majú tendenciu klesať pod vlastnou hmotnosťou. Podpery musia byť umiestnené pod panelom na oboch stranách, v blízkosti línie rezu a blízko okraja panelu.
- e) **Nepoužívajte tupé alebo poškodené kotúče.** Nestroené alebo nesprávne nastavené kotúče vytvárajú úzky rez, ktorý spôsobuje nadmerné trenie, uviaznutie kotúča a spätňý ráz.
- f) **Pred rezaním musia byť zaisťovacie páčky na nastavenie hĺbky a sklonu kotúča dotiahnuté a zaistené.** Ak sa nastavenie kotúča počas rezania posunie, môže to spôsobiť uviaznutie a spätňý ráz.
- g) **Pri pílení do existujúcich stien alebo iných sľepých oblastí buďte obzvlášť opatrní.** Vyčnievajúci kotúč

môže rezať predmety, ktoré môžu spôsobiť spätný ráz.

Funkcia spodného chrániča

- a) **Pred každým použitím skontrolujte, či je spodný chránič správne zatvorený. Nepoužívajte pílu, ak sa spodný chránič nepohybuje voľne a okamžite sa nezavrie. Spodný chránič nikdy neupínajte ani nezaistujte v otvorenej polohe.** Ak vám píla omylom spadne, môže dôjsť k ohnutiú spodného chrániča. Zdvihnite spodný chránič pomocou zásuvnej rukoväte a uistite sa, že sa voľne pohybuje a nedotýka sa kotúča ani žiadnej inej časti, a to vo všetkých uhloch a hĺbkach rezu.
- b) **Skontrolujte činnosť pružiny spodného chrániča. Ak ochranný kryt a pružina nepracujú správne, je potrebné ich pred použitím opraviť.** Spodný chránič môže fungovať pomaly v dôsledku poškodených častí, gumových usadenín alebo nahromadenia trosiek.
- c) **Spodný chránič je možné zasunúť ručne len pri špeciálnych rezoch, ako sú „zapichovacie rezy“ a „zložené rezy“.** Zdvihnite spodný chránič za zásuvnú rukoväť a keď kotúč vstúpi do materiálu, spodný chránič sa musí uvoľniť. Pri všetkých ostatných pileniach má spodný chránič pracovať automaticky.
- d) **Pred položením píly na lavicu alebo podlahu vždy skontrolujte, že či spodný chránič zakrýva kotúč.** Nechránený, voľne sa otáčajúci kotúč spôsobí, že sa píla bude pohybovať dozadu a prereže všetko, čo jej príde do cesty. Uvedomte si čas, za ktorý sa pilový kotúč po uvoľnení spínača zastaví.

ADDITIONAL SAFETY WARNINGS

ĎALŠIE VÝSTRAŽNÉ UPOZORNENIA

VŠEOBECNE

- Tento nástroj nesmú používať osoby mladšie ako 16 rokov
- Tento stroj nie je vhodný pre rezanie za mokra
- **Neobrábajte materiál, ktorý obsahuje azbest (azbest sa považuje za rakovinotvorný materiál)**
- Prach z materiálu, akým je náter obsahujúci olovo, niektoré druhy dreva, minerály a kovy môže byť škodlivý (kontakt alebo vdýchnutie prachu môže spôsobiť alergické reakcie a/alebo respiračné ochorenia obsluhu a okolostojacich osôb); **používajte ochrannú masku tváre a pracujte so zariadením na odsávanie prachu, ak je takéto zariadenie možné pripojiť**
- Určité druhy prachu sú klasifikované ako karcinogénne (napr. dubový a bukový prach), a to hlavne v spojení s prísadami na úpravu dreva; **používajte tvárovú ochrannú masku a pracujte so zariadením na odsávanie prachu, ak je takéto zariadenie možné pripojiť**
- Dodržujte stanovené nariadenia pre prácu v prašnom prostredí
- Nepoužívajte túto pílu spoločne s rezacím stolom
- Pred nastavením alebo výmenou príslušenstva alebo vždy vytiahnite akumulátor

PRÍSLUŠENSTVO

- SKIL zabezpečí hladký chod nástroja len ak sa používa pôvodné príslušenstvo

- Používajte iba pilové kotúče, ktoré zodpovedajú charakteristikám uvedeným v tomto návode na obsluhu a sú testované a označené podľa EN 847-1, ak sú určené na drevo a drevu podobné materiály.
- Používajte iba príslušenstvo, u ktorého hodnota prípustných obrátok zodpovedá minimálne najvyšším obrátkam náradia
- **Používajte iba pilové kotúče/rezné kotúče s minimálnym priemerom 115 mm, maximálnym priemerom 120 mm a otvorom vretena 9,5 mm**
- Nikdy nepoužívajte brúsne kotúče s týmto nástrojom
- Príslušenstvo narábajte a skladujte opatrne
- Určite správny pilový kotúč, ktorý sa má použiť pre rezaný materiál.

PREZ POUŽITÍM

- Zabráňte poškodeniu náradia skrutkami, klincami a inými kovovými predmetmi v obrobru; odstráňte ich predtým, než začnete pracovať
- Predtým než začnete rezať, odstráňte všetky prekážky na vrchnej a spodnej strane reznej dráhy
- **Zaistite obrábaný diel** (obrábaný diel uchytený pomocou upínacích zariadení alebo vo zveráku je oveľa bezpečnejší ako držaný v ruke).
- **Použite vhodné detektory na nájdenie skrytých inžinierskych sietí alebo zavolajte na pomoc miestnu energetickú spoločnosť** (kontakt s elektrickým vedením môže viesť k požiaru alebo úrazu elektrickým prúdom; poškodenie plynového potrubia môže spôsobiť výbuch; preniknutie do vodovodného potrubia spôsobí poškodenie majetku alebo zásah elektrickým prúdom)

POČAS PRÁCE

- Hlasitosť zapnutého prístroja môže byť viac aké 85 dB(A); používajte ochranu sluchu
- Nikdy nepoužívajte stroj bez originálnych ochranných krytov
- Nepokúšajte sa rezať veľmi malé kusy
- Nepracujte so strojom v polohe nad hlavou
- V prípade zaseknutia, elektrickej alebo mechanickej poruchy nástroj ihneď vypnite a vyberte akumulátor

PO PRÁCI

- Skôr než nástroj položíte, presvedčte sa že je motor vypnutý a že sú všetky pohyblivé súčiastky zastavené
- Po vypnutí kotúčovej píly nikdy nezastavujte rotáciu pilového kotúča aplikovaním bočnej sily

AKUMULÁTORY

- Dodaný akumulátor je čiastočne nabitý (na zaručenie plnej kapacity akumulátora ho pred prvým zapnutím prístroja úplne nabite v nabíjačke)
- S týmto náradím používajte len nasledujúce akumulátory a nabíjačky
 - Akumulátor SKIL: BR1*31****
 - Nabíjačka SKIL: CR1*31****
- Nepoužívajte akumulátor, keď je poškodený; musí sa vymeniť
- Akumulátor nerozoberajte
- Náradie ani akumulátor nevystavujte dažďu
- Povolená teplota okolia (náradie/nabíjačka/akumulátor):
 - pri nabíjaní 4...40 °C
 - pri prevádzke - 20...+ 50 °C
 - pri skladovaní - 20...+ 50 °C

VYSVETLENIE SYMBOLOV UMIESTNENÝCH NA NÁRADÍ/AKUMULÁTORE

- ③ Pred použitím si prečítajte návod na obsluhu
- ④ Akumulátory po vhodnení do ohňa vybuchnú a preto ich

nehvadzujte do ohňa zo žiadneho dôvodu.

- ⑤ Náradie, nabíjačku a akumulátor skladujte na miestach, kde teplota neprekročí 50 ° C
- ⑥ Nevyhadzujte elektrické náradie a akumulátory do komunálneho odpadu

POUŽITIE

- Nabíjanie akumulátora
! prčítajte si bezpečnostné výstrahy a pokyny dodané s nabíjačkou
- Vybratie/inštalácia akumulátora ②
- Kontrolka nabitia akumulátora ⑦
 - stlačením tlačidla kontrolky nabitia akumulátora AB zobrazte aktuálny stav akumulátora ⑦a
 - ! keď po stlačení tlačidla AB ⑦b začne blikať najnižšia úroveň indikátora akumulátora, akumulátor je vybitý**
 - ! keď po stlačení tlačidla AB ⑦c začnú blikať 2 úrovně indikátora akumulátora, akumulátora nie je v povolenom rozsahu prevádzkovej teploty**
- LED svetlo T⑧
LED svetlo sa automaticky rozsvieti, keď sa nástroj spustí
! keď LED svetlo začne blikať, aktivuje sa ochrana akumulátora (pozri nižšie)
- Ochrana akumulátora
Náradie sa náhle vypína alebo sa nedá zapnúť v prípade, že
 - **je príliš vysoká záťaž** --> odstráňte záťaž a reštartujte
 - **teplota akumulátora nie je v povolenom rozsahu prevádzkovej teploty - 20 až + 50 ° C** --> 2 úrovně indikátora úrovně akumulátora začnú blikať po stlačení tlačidla AB 7c; počkajte, kým sa akumulátor vráti do povoleného rozsahu prevádzkovej teploty
 - **akumulátor je takmer vybitý (na ochranu pred hlbokým vybitím)** --> po stlačení tlačidla AB sa na indikátore úrovně akumulátora zobrazí nízka úrovně nabitia akumulátora alebo blikanie nižšej úrovně nabitia akumulátora ub; nabite akumulátor
 - ! potom ako sa náradie automaticky vypne, nestláčajte hlavný vypínač, môže sa poškodiť akumulátor**
- Montáž kotúča píly ②
! vyberte akumulátor z náradia
 - vezmite si imbusový kľúč A z úložiska B
 - stlačte tlačidlo aretácie vretena F a podržte ho, kým odstránite skrutku kotúča AA otáčaním imbusového kľúča A v SMERE HODINOVÝCH RUČÍČIEK (= v rovnakom smere ako šípka vytláčená na pilovom kotúči)
 - ! blokovacie tlačidlo vretena F stláčajte len vtedy, keď je nástroj v pokoji**
 - uvoľnite blokovacie tlačidlo vretena F
 - odstráňte prírubu Z
 - ! uistite sa, že upínacie plochy X príruby sú dokonale čisté a smerujú k kotúču**
 - otvorte spodný chránič W pomocou páky S a podržte ho, kým namontujete pilový kotúč s pilovými zubami a šípku vytláčenou na pilovom kotúči, ktorá ukazuje v rovnakom smere ako šípka na hornom chrániči
 - uvoľnite spodný chránič W
 - montážna prírubu Z
 - stlačte tlačidlo aretácie vretena F a podržte ho, kým

- prstom dotiahnete skrutku pilového kotúča pomocou imbusového kľúča o 1/8 otáčky (zabezpečuje sklznutie pilového kotúča, keď narazí na nadmerný odpor, čím sa zníži preťaženie motora a spätný ráz píly)
- uvoľnite blokovacie tlačidlo vretena F
- Nastavenie hĺbky rezu (0 - 41 mm) ⑨
 - pre optimálnu kvalitu rezu nesmie byť pilový kotúč vysunutý viac ako 3 mm pod opracovávaným predmetom
 - uvoľnite gombík Q
 - zdvihajte/spúšťajte pätku M, kým sa na stupnici pomocou ukazovateľa P nenastaví požadovaná hĺbka rezu
 - utiahnite gombík Q
- Nastavenie uhla rezu (0 - 45 °) ⑩
 - uvoľnite gombík U
 - nakláňajte nástroj, kým sa požadovaný uhol rezu nenastaví na stupnici pomocou indikátora V
 - utiahnite gombík U
 - ! pri šikmom reze hĺbka rezu nezodpovedá hodnote na stupnici hĺbky rezu**
- Indikátor línie rezu L ⑪
 - pre vedenie nástroja pozdĺž požadovanej čiary rezu vyznačenej na obrobku
 - pre priamy rez pod uhlom 0 ° alebo šikmý rez pod uhlom 45 ° používajte príslušný rysku
 - ! široká časť pätky má spočívať na podoprenej časti obrobku**
 - ! šírka rezu je určená šírkou zubov kotúča a nie šírkou telesa kotúča**
 - ! vždy najskôr vykonajte skúšobné rezy, aby ste si overili skutočnú líniu rezu**
- Odsávanie prachu ⑫
Pre používanie vysávača
 - pripojte hadicu vysávača k adaptéru vysávača H
 - ! nikdy nedovoľte, aby hadica vysávača zasahovala do spodného chrániča alebo rezania**
 - ! pri rezaní kovu nepoužívajte vysávač**
- Používanie náradia
 - vložte akumulátor
 - vždy pevne držte rukoväť C
 - položte stroj prednou stranou pätky na obrobok
 - ! uistite sa, že zuby píly nie sú zapadnuté do obrobku**
 - zapnite nástroj tak, že najskôr stlačíte gombík E (= bezpečnostný spínač, ktorý sa nedá zablokovať) a potom potiahnete hlavný vypínač D
 - ! nástroj má bežať na plné otáčky predtým, ako kotúč vstúpi do obrobku**
 - spodný chránič W sa automaticky otvorí, keď pilový kotúč vstúpi do obrobku (spodný chránič otvoríte manuálne pomocou páky S len pre špeciálne rezy, ako sú zapichovacie rezy)
 - ! netlačte na náradie silou (vyvíjajte mierny a nepretržitý tlak, aby ste predišli prehriatiu hrotov kotúča)**
 - ! pri práci vždy držte náradie v oblasti rukoväte**
 - po dokončení rezu vypnite nástroj uvoľnením hlavného vypínača D
 - ! pred zdvihnutím nástroja z obrobku sa uistite, že sa kotúč úplne zastavil**

APLIKAČNÉ RADY

- Vždy otočte čelnú stranu obrobku nadol, aby ste zaistili minimálne štiepenie pri rezaní dreva a drevu podobných materiálov.
- Výkonnosť pílenia a kvalita rezu v podstate závisia od stavu a počtu zubov pílového kotúča.
- Používajte iba ostré pílové kotúče, ktoré sú vhodné pre rezaný materiál ⑬
 - používajte pílový kotúč AC② z tvrdenej ocele na rezanie dreva, hliníka, plastov a všetkých druhov vrstveného dreva
 - na rezanie keramiky a dlaždíc použite diamantový kotúč AD②
 - Kotúče Y②s karbidovým hrotom zostanú ostré až 30-krát dlhšie ako bežné kotúče
- Vodidlo pre pozdĺžne rezanie J⑭
 - pre presné rezanie pozdĺž okraja obrobku
 - vložte cez otvory na prednom konci pätky
 Nastavenie vodidla pre pozdĺžne rezanie
 - uvoľnite skrutku K pomocou imbusového kľúča A
 - nastavte požadovanú šírku rezu pomocou stupnice vodidla pre pozdĺžne rezanie (použite indikátor rezu L ako referenčnú hodnotu 0)
 - utiahnite skrutku K
- Zapichovací rez⑮
 - nastavte požadovanú hĺbku rezu
 - nakloňte nástroj dopredu s indikátorom čiary rezu L zarovnanou s požadovanou čiarou rezu vyznačenou na obrobku
 - otvorte spodný chránič W pomocou páky S
 - krátko predtým, ako kotúč vnikne do obrobku, zapnite stroj a postupne spúšťajte zadnú stranu stroja používajúc prednú stranu pätky ako otočný bod
 - postupne spúšťajte stroj smerom dole a tiež smerom dopredu
 - keď sa kotúč dostane do materiálu, uvoľnite páku S
- **! nikdy neťahajte nástroj dozadu**
- Rezanie veľkých panelov⑯
 - podoprite panel v blízkosti rezu, či už na podlahe, stole alebo pracovnom stole
- **! nastavte hĺbku rezu tak, aby ste rezali cez panel a nie cez podperu**
 - v prípade, že vodidlo pre pozdĺžne rezanie neumožňuje požadovanú šírku rezu, upnite alebo priklincujte rovný kus dreva k obrobku ako vedenie a použite ľavú stranu pätky proti tomuto vedeniu ⑰
- Ďalšie informácie nájdete na adrese www.skil.com

ÚDRŽBA/SERVIS

- Toto náradie nie je vhodné pre profesionálne použitie
- Vždy udržiavajte náradie čisté (najmä vetracie otvory N)
 - **! pred čistením vyberte akumulátor z náradia**
 - Vždy udržiavajte oblasť okolo spodného chrániča W② v čistote (prach a triesky odstráňte výfukným stlačeným vzduchom alebo kefou)
- Hneď po použití očistite pílový kotúč (najmä od živice a lepidla)
- Ak by náradie napriek starostlivej výrobe a kontrole predsa len prestalo niekedy fungovať, nechajte opravu vykonať v autorizovanej servisnej opravovni elektrického náradia SKIL
 - pošlite náradie v nerozloženom stave spolu s dokladom o kúpe vášmu predajcovi alebo najbližšej servisnej stanici SKIL (adresy a servisný diagram náradia sú

vedené na www.skil.com)

- Uvedomte si, že poškodenie spôsobené preťažením alebo nesprávnym zaobchádzaním bude zo záruky vylúčené (záručné podmienky spoločnosti SKIL nájdete na stránke www.skil.com alebo si ich vyžiadajte u vášho predajcu)

ŽIVOTNÉ PROSTREDIE

- Elektrické náradie, akumulátory, príslušenstvo a balenie nevyhadzujte do komunálneho odpadu (len pre štáty EÚ)
 - v súlade s európskou smernicou 2012/19/ES o odpade z elektrických a elektronických zariadení a jej implementácie v súlade s vnútroštátnymi právnymi predpismi musí byť elektrické náradie, ktoré dosiahlo koniec svojej životnosti, zbierané oddelene od ostatného odpadu a musí sa vrátiť do ekologického recyklačného zariadenia
 - pripomenie vám to symbol ⑥, keď nastane čas likvidácie
- **! pred likvidáciou prelepte vývody akumulátora hrubou páskou, aby ste zabránili skratu**

HLUK/VIBRÁCIE

- Hladina akustického tlaku tohto nástroja meraná v súlade s normou EN 62841 je 96 dB(A) a hladina akustického výkonu 107 dB(A) (neurčitost K = 3 dB) a vibrácie *(vektorový súčet troch osí; neurčitost K = 1,5 m/s²)
 - * rezanie dreva < 2,5 m/s²
 - * rezanie kovu < 2,5 m/s²
- Úroveň vibrácií bola nameraná v súlade so štandardizovanou skúškou uvedenou v EN 62841; môže sa použiť na porovnanie jedného náradia s iným a ako predbežné posúdenie vystavenia vibráciám pri použití náradia na uvedené aplikácie
 - používanie náradia na rôzne aplikácie alebo s rôznym alebo nedostatočne udržiavaným príslušenstvom môže výrazne zvýšiť úroveň expozície
 - časy, počas ktorých je náradie vypnuté, alebo počas ktorých náradie beží, ale v skutočnosti nevykonáva prácu, môžu značne znížiť úroveň expozície
- **! chráňte sa pred účinkami vibrácií tak, že budete náradie a jeho príslušenstvo správne udržiavať, že nebudete pracovať so studenými rukami a že si vaše pracovné postupy správne zorganizujete**

HR

KOMPAKTNÁ VIŠENAMJENSKA PILA BEZ ČETKICA

3540

UVOD

- Ovak je alat predvíden za piljenje drva, iverice, šperploče, aluminiya, pločica, kamena, plastike i laganih materijala uzdužno i poprečno s ravnim rezovima i rezovima pod kutom do 45°.
- Ovak alat nije predvíden za profesionalnu upotrebu.
- Pročitajte i sačuvajte ove upute za upotrebu.③

TEHNIČKI PODACI ①

DIJELOVI ALATA ②

- A Šesterostrani ključ
- B Prostor za skladištenje šesterostranog ključa
- C Ručka
- D Sklopka okidača
- E Sigurnosni prekidač
- F Gumb za blokadu vretena
- G Priključak sustava za odvod prašine
- H Adapter za usisavač
- J Paralelna vodilica
- K Vijak za podešavanje paralelne vodilice
- L Indikator linije rezanja
- M Nožna pločica
- N Ventilacijski otvori
- P Indikator dubine rezanja
- Q Okretni gumb za podešavanje dubine piljenja
- R Gornji štitnik
- S Ručica za otvaranje donjeg štitnika
- T LED svjetlo
- U Okretni gumb za podešavanje kuta rezanja
- V Indikator kuta rezanja
- W Donji štitnik
- X Stezna površina
- Y List pile vrhovima od karbida
- Z Prirubnica
- AA Matični vijak lista pile
- AB Gumb indikatora razine napunjenosti baterije
- AC List pile od kaljenog čelika
- AD Dijamantna rezna ploča

SIGURNOST

OPĆA SIGURNOSNA UPOZORENJA ZA ELEKTRIČNE ALATE

⚠ UPOZORENJE Pročitajte sva sigurnosna upozorenja, sve upute, ilustracije i specifikacije isporučene s ovim električnim alatom. Zanimarivanje svih uputa navedenih u nastavku može rezultirati strujnim udarom, požarom i/ili teškim ozljedama.

Sačuvajte sva upozorenja i sve upute za buduće potrebe.

Pojam "električni alat" u upozorenjima odnosi se na vaš električni alat na strujni pogon (s kabelom) ili električni alat na baterijski pogon (bez kabela).

1) SIGURNOST RADNOG PODRUČJA

- a) **Radno područje održavajte čistim i dobro osvijetljenim.** Pretrpana ili mračna područja izazivaju nesreće.
- b) **Električnim alatom nemojte rukovati u eksplozivnim atmosferama, primjerice u prisutnosti zapaljivih tekućina, plinova ili prašine.** Električni alat stvara iskre koje mogu zapaliti prašinu ili isparenja.
- c) **Udaljite djecu i promatrače za vrijeme rada s električnim alatom.** Ometanja mogu rezultirati gubitkom kontrole nad alatom.

2) ELEKTRIČNA SIGURNOST

- a) **Utičkači električnog alata moraju odgovarati utičnici. Nemojte nikada raditi preinake utikača. Utičkače adaptera nemojte upotrebljavati s uzemljenim električnim alatom.** Nepreinačeni utikači i odgovarajuće utičnice smanjit će rizik od električnog udara.
- b) **Izbjegavajte kontakt tijela s uzemljenim površinama, kao što su cijevi, radijatori, peći i rashladni uređaji.** Rizik od električnog udara je veći ako je vaše tijelo uzemljeno.
- c) **Električni alat ne izlažite kiši ili mokrim uvjetima.** Prodiranje vode u električni alat povećat će rizik od strujnog udara.
- d) **Kabel ne upotrebljavajte nepropisno. Kabel nemojte nikada upotrebljavati za nošenje, povlačenje ili odspajanje električnog alata od strujnog napajanja. Kabel držite podalje od topline, ulja, oštih rubova ili pokretnih dijelova.** Oštećeni ili isprepleteni kabeli povećavaju rizik od strujnog udara.
- e) **Kada električnim alatom radite na otvorenom, upotrebljavajte produžni kabel prikladan za upotrebu na otvorenom.** Upotrebom kabela prikladnog za upotrebu na otvorenom smanjuje se rizik od strujnog udara.
- f) **Ako je rad s električnim alatom u području s parom neizbježan, upotrebljavajte napajanje sa zaštitnim uređajem diferencijalne struje (RCD).** Upotrebom zaštitnog uređaja diferencijalne struje smanjuje se rizik od strujnog udara.

3) OSOBNA SIGURNOST

- a) **Budite oprezni, gledajte što radite i vodite se načelima zdravog razuma kada radite s električnim alatom. Nemojte raditi s električnim alatom ako ste umorni ili pod utjecajem opojnih sredstava, alkohola ili lijekova.** Trenutak nepažnje tijekom rada s električnim alatom može rezultirati teškim tjelesnim ozljedama.
- b) **Upotrebljavajte osobnu zaštitnu opremu. Uvijek nosite zaštitu za oči.** Zaštitna oprema poput maske za zaštitu od prašine, neklizajuće sigurnosne obuće, kacige ili zaštite za sluh upotrijebljena za prikladne uvjete smanjit će tjelesne ozljede.
- c) **Spriječite nenamjerno pokretanje. Prije spajanja na izvor napajanja i/ili baterijski modul, uzimanja ili nošenja alata uvjerite se da se prekidač nalazi u isključenom položaju.** Nošenje električnih alata s prstom na prekidaču ili napajanje električnih alata koji imaju uključen prekidač izaziva nesreće.
- d) **Prije uključivanja električnog alata, uklonite sve ključeve za podešavanje ili stezne ključeve.** Ključ ili ključ za podešavanje ostavljen pričvršćen na rotacijski dio električnog alata može rezultirati tjelesnim ozljedama.
- e) **Nemojte se naginjati preko alata. Tijelo vrijeme održavajte propisno držanje i ravnotežu.** To će omogućiti bolju kontrolu nad električnim alatom u neočekivanim situacijama.
- f) **Kosu i odjeću držite dalje od pokretnih dijelova.** Pokretni dijelovi mogu zahvatiti široku odjeću, nakit ili dugu kosu.
- g) **Ako su uređaji opremljeni priključkom za odvod i sakupljanje prašine, pobrinite se da se propisno spoje i upotrebljavaju.** Upotreba sustava za sakupljanje prašine može smanjiti opasnosti koje se odnose na prašinu.

- h) **Nemojte dopustiti da vas poznavanje alata stečeno čestom upotrebom učini samodopadnim te da zanemarite sigurnosna načela za alat.** Nepažljiv rad može rezultirati teškim ozljedama u djeliću sekunde.

4) UPOTREBA I NJEGA ELEKTRIČNOG ALATA

- a) **Nemojte preopterećivati električni alat.** Upotrebljavajte propisan električni alat za svoju primjenu. Propisan električni alat bolje će i sigurnije obaviti zadatak brzinom za koju je konstruiran.
- b) **Nemojte upotrebljavati električni alat ako ga prekidač ne uključuje i isključuje.** Svaki električni alat koji se ne može kontrolirati prekidačem opasan je i potrebno ga je popraviti.
- c) **Prije podešavanja, zamjene dodatne opreme ili skladištenja električnih alata odspojite utikač od izvora napajanja i/ili uklonite baterijski modul, ako je odvojiv, s električnog alata.** Takve preventivne sigurnosne mjere smanjuju rizik od iznenadnog pokretanja električnog alata.
- d) **Nekoristišene električne alate skladištite izvan dohvata djece i nemojte dopustiti osobama koje ne poznaju električni alat ili ove upute da rukuju električnim alatom.** Električni alati opasni su u rukama neobučениh korisnika.
- e) **Održavajte električne alate i dodatnu opremu.** Provjerite jesu li pokretni dijelovi centrirani ili spojeni, ima li polomljenih dijelova i postoji li stanje koje može utjecati na rad električnog alata. **Ako je oštećen, električni alat dajte na popravak prije upotrebe.** Loše održavani električni alati uzrok su mnogih nesreća.
- f) **Rezne alate održavajte oštroma i čistima.** Propisno održavani rezni alati s oštrim reznim bridovima manje su sklони zaglavljivanju i lakši su za upravljanje.
- g) **Električni alat, dodatnu opremu i alatne nastavke i sl., upotrebljavajte u skladu s ovim uputama, uzimajući u obzir radne uvjete i zadatak koji je posebno obaviti.** Upotreba električnog alata za radove drukčija od namjenske može rezultirati opasnim situacijama.
- h) **Rukohvate i površinu rukohvata održavajte suhim, čistim i očišćenim od ulja i masti.** Skliski rukohvati i skliske površine rukohvata onemogućuju sigurno rukovanje i upravljanje alatom u neočekivanim situacijama.
- 5) **UPOTREBA I NJEGA BATERIJSKOG ALATA**
- a) **Punjenje obavljajte samo s punjačem kojeg je naveo proizvođač.** Punjač koji je prikladan za jedan tip baterijskog modula može izazvati rizik od požara ako ga se upotrebljava s drugim baterijskim modulom.
- b) **Električni alat upotrebljavajte samo s izričito propisanim baterijskim modulima.** Upotreba drugih baterijskih modula može izazvati rizik od ozljeda i požara.
- c) **Kada se baterijski modul ne upotrebljava, držite ga podalje od drugih metalnih predmeta poput spajalica za papir, kovanica, ključeva, čavala, vijaka ili drugih malih metalnih predmeta koji mogu međusobno spojiti kontakte.** Kratko spajanje baterijskih kontakata može prouzročiti opekline ili požar.
- d) **U slučaju neprimjerene uporabe, baterija može izbaciti tekućinu; izbjegavajte kontakt.** Ako slučajno dođe do doticaja, zahvaćena mjesta isperite vodom. **Ako tekućina dođe u doticaj s očima, dodatno**

potražite pomoć liječnika. Tekućina koju izbaci baterija može prouzročiti nadražaj kože ili opekline.

- e) **Ne upotrebljavajte baterijski modul ili alat koji je oštećen ili preinačen.** Oštećene ili preinačene baterije mogu pokazati nepredvidivo ponašanje koje može rezultirati požarom, eksplozijom ili opasnošću od ozljeda.
- f) **Baterijski modul ili alat ne izlažite vatri ili visokim temperaturama.** Izlaganje vatri ili temperaturi višoj od 130 °C može prouzročiti eksploziju.
- g) **Pridržavajte se svih uputa za punjenje, a baterijski modul ili alat nemojte puniti izvan raspona temperature navedenog u uputama.** Nepropisno punjenje ili punjenje pri temperaturama izvan okvira određenog raspona može oštetiti bateriju i povećati opasnost od požara.
- 6) **SERVISIRANJE**
- a) **Servisiranje električnog alata povjerite kvalificiranom osoblju za popravak koje upotrebljava samo identične zamjenske dijelove.** Time će se osigurati održavanje sigurnosti električnog alata.
- b) **Ne servisirajte oštećene baterijske module.** Servisiranje baterijskog modula smiju obavljati samo proizvođač ili ovlašteni serviseri.

SIGURNOSNE NAPOMENE ZA KRUŽNE PILE

Postupci rezanja

- a) **OPASNOST! Držite ruke podalje od područja rezanja i lista pile.** Ako pilu držite objema rukama, list pile vas ne može porezati.
- b) **Nemojte posezati ispod obratka.** Štitnik vas ne može zaštititi od oštrice ispod obratka.
- c) **Podesite dubinu reza u skladu s debljinom obratka.** Ispod obratka treba biti vidljivo manje od punih zubaca lista pile.
- d) **Tijekom rezanja obradak nemojte nikada držati u rukama ili preko noge.** Osigurajte obradak na stabilnoj platformi. Pravilno podupiranje obratka važno je kako bi se na najmanju mjeru svelo izlaganje tijela, savijanje lista pile ili gubitak kontrole.
- e) **Kada obavljate radove gdje rezni pribor može doći u kontakt sa sakrivenim ožičenjem, električni alat držite za izolirane površine ručke.** Kontakt sa žicom pod naponom izložene metalne dijelove električnog alata može staviti pod napon i prouzročiti strujni udar.
- f) **Prilikom rezanja uvijek upotrebljavajte paralelni graničnik ili ravnu rubnu vodilicu.** Time se poboljšava preciznost reza i smanjuje rizik od zaglavljivanja lista pile.
- g) **Uvijek upotrebljavajte listove pile ispravne veličine i oblika (dijamantni ili okrugli) rupa u osovini.** Listovi pile koji ne odgovaraju pričvršnim elementima pile odmaknut će od sredine i prouzročiti gubitak kontrole.
- h) **Nemojte nikada upotrebljavati oštećene ili neispravne podloške ili matične vijke za list pile.** Podloške i matični vijak za list pile posebno su konstruirani za vašu pilu kako bi se osigurali optimalan učinak i sigurnost rada.

Uzroci povratnog udara i s tim povezana upozorenja

- Povratni udar je iznenadna reakcija na priklješteni,

zaglavljeni ili pogrešno poravnani list pile, što uzrokuje da se pila nekontrolirano podiže s obratka i kreće prema rukovatelju.

- Ako se list pile priklješti ili zaglavi zatvaranjem zasjeka, list pile će se zaglaviti, a reakcija motora brzo će gurnuti jedinicu natrag prema rukovatelju.
- Ako se list pile iskrivi ili ne poravna u rezu, zupci na stražnjem rubu lista pile mogu se zabiti u gornju površinu drva i prouzročiti da se list pile izdigne iz zasjeka i odskoči natrag prema rukovatelju.

Povratni udar rezultat je nepravilne upotrebe alata i/ili neispravnih radnih postupaka ili stanja i može se izbjeći poduzimanjem propisnih mjera opreza kako je navedeno u nastavku.

- a) Održavajte čvrst zahvat na pili i pozicionirajte ruke kako biste mogli oduprijeti se silama povratnog udara. Tijelo pozicionirajte s obje strane lista pile, ali ne u ravnini s listom pile.** Povratni udar može prouzročiti iskakanje pile unatrag, ali rukovatelj može kontrolirati sile povratnog udara ako se poduzmu odgovarajuće mjere opreza.
- b) Ako se list pile zaglavi ili ako iz bilo kojeg razloga prekinete s rezanjem, otpustite okidač i držite pilu nepomično u materijalu dok se list pile potpuno ne zaustavi. Nemojte nikada pokušavati da uklonite pilu iz obratka ili da povučete pilu unatrag dok je list pile u pokretu jer može doći do povratnog udara.** Istražite uzrok i poduzmite korektivne radnje kako biste uklonili uzrok zaglavljivanja lista pile.
- c) Prilikom ponovnog pokretanja pile u obratku, centrirajte list pile u zasjek kako se zupci pile ne bi zabijali u materijal.** Ako se list pile zaglavi, može iskočiti iz obratka ili se odbiti pri ponovnom pokretanju pile.
- d) Poduprite velike ploče kako biste na najmanju mjeru sveli rizik od priklještenja lista pile i povratnog udara.** Velike ploče mogu se savijati pod vlastitom težinom. Poduprite ploču s obje strane, blizu linije rezanja i blizu ruba ploče.
- e) Nemojte upotrebljavati tupe ili oštećene listove pile.** Nenaoštreni ili nepravilno postavljeni listovi pile stvaraju uske zasjeka koji dovode do prekomjernog trenja, zaglavljivanja lista pile i povratnog udara.
- f) Ručice za zaključavanje i podešavanje dubine i nagiba lista pile moraju biti pritegnute i učvršćene prije rezanja.** Pomicanje ručice za podešavanje lista pile tijekom rezanja može prouzročiti zaglavljivanje lista pile i povratni udar.
- g) Budite posebno oprezni kada pilite u postojećim zidovima ili drugim područjima koja se ne vide.** List pile koji strši može zahvatiti predmete koji mogu uzrokovati povratni udar.

Funkcija donjeg štitnika

- a) Prije svake uporabe provjerite zatvara li se donji štitnik pravilno. Nemojte rukovati pilom ako se donji štitnik ne kreće slobodno i odmah ne zatvara. Nemojte stezati ili vezati donji štitnik u otvoreni položaj.** Ako pila slučajno padne, donji štitnik može se saviti. Podignite donji štitnik ručkom za uvlačenje i provjerite kreće li se slobodno i dodiruje li list pile ili bilo koji drugi dio, u svim kutovima i dubinama rezanja.

- b) Provjerite rad opruge donjeg štitnika. Ako štitnik i opruga ne rade ispravno, potrebno ih je servisirati prije upotrebe.** Donji štitnik može raditi sporo zbog oštećenih dijelova, gumenih naslaga ili nakupljanja krhotina.
- c) Donji štitnik može se uvući ručno samo za posebne rezove kao što su „uranajući rezovi“ i „složeni rezovi“.** Podignite donji štitnik ručkom za uvlačenje, a čim list pile uđe u materijal donji štitnik je potrebno otpustiti. Za sve druge vrste piljenja, donji štitnik treba raditi automatski.
- d) Uvijek provjerite pokriva li donji štitnik list pile prije postavljanja pile na radni stol ili pod.** Nezaštićeni list pile u praznom hodu uzrokovati da se pila povuče unatrag i izreže sve što joj se nađe na putu. Uzmite u obzir vrijeme potrebno da se list pile zaustavi nakon otpuštanja prekidača.

DODATNA SIGURNOSNA UPOZORENJA

OPĆE

- Ovaj alat ne smiju upotrebljavati osobe mlađe od 16 godina.
- Ovaj alat nije prikladan za mokro rezanje.
- **Nemojte obrađivati materijale koji sadrže azbest (azbest se smatra kancerogenim).**
- Prašina od materijala kao što su boje koje sadrže olovo, neke vrste drva, minerala i metala mogu biti štetni (kontakt s prašinom ili udisanje prašine može izazvati alergijske reakcije i/ili respiratorne bolesti kod rukovatelja ili prolaznika); **nosite masku za zaštitu od prašine i upotrebljavajte uređaj za odvod prašine kada se može priključiti.**
- Određene vrste prašine klasificirane su kao kancerogene (npr. prašina hrasta i bukve), posebno u kombinaciji s aditivima za obradu drva; **nosite masku za zaštitu od prašine i upotrebljavajte uređaj za odvod prašine kada se može priključiti.**
- Pridržavajte se nacionalnih zahtjeva za prašinu za materijale s kojima namjeravate raditi.
- Ovu pilu nemojte upotrebljavati u kombinaciji sa stolom za pilu.
- Prije podešavanja ili zamjene pribora uklonite bateriju iz alata.

PRIBOR

- Proizvođač SKIL može jamčiti besprijekoran rad alata samo ako se upotrebljava originalni pribor.
- Ako su predviđeni za drvo i materijale slične drvu, upotrebljavajte samo listove pile koji su u skladu s karakteristikama navedenim u ovim uputama za upotrebu i koji su ispitani i označeni u skladu s normom EN 847-1.
- Upotrebljavajte samo pribor s dopuštenom brzinom koja je u skladu s najmanje maksimalnom brzinom alata bez opterećenja.
- **Upotrebljavajte samo listove pile/rezne ploče minimalnog promjera 115 mm, maksimalnog promjera 120 mm i provrta vretena od 9,5 mm.**
- S ovim alatom nemojte nikada upotrebljavati brusne ploče.
- Pažljivo rukujte priborom i pažljivo ga skladištite.
- Odredite ispravan list pile za materijal koji treba rezati.

PRIJE UPOTREBE

- Izbjegavajte oštećenja koja mogu uzrokovati vijci, čavli i drugi elementi u vašem obratku; uklonite ih prije početka rada.

- Prije početka rezanja uklonite sve zapreke na gornjoj strani i ispod putanje rezanja.
- **Osigurajte obradak** (obradak stegnut u stezaljkama ili u škripcu drži se sigurnije nego rukom).
- **Upotrijebite odgovarajuće detektore za lociranje skrivenih vodova ili nazovite lokalno odnosno poduzeće za pomoć** (kontakt s električnim vodovima može dovesti do požara ili strujnog udara; oštećenje plinskih cijevi može rezultirati eksplozijom; probijanje vodovodnih cijevi prouzročit će materijalnu štetu ili strujni udar).

TIJEKOM UPOTREBE

- Razina buke pri radu može prijeći 85 dB(A); nosite zaštitu za sluh.
- Alat nemojte nikada upotrebljavati bez originalnog sustava štitnika.
- Nemojte pokušavati rezati vrlo male obratke.
- Alatom nemojte raditi iznad glave.
- U slučaju zaglavlivanja ili električnog ili mehaničkog kvara, odmah isključite alat i izvadite bateriju.

NAKON UPOTREBE

- Kada odložite alat, isključite motor i provjerite jesu li se svi pokretni dijelovi potpuno zaustavili.
- Nakon isključivanja kružne pile nemojte nikada zaustavljati rotaciju lista pile primjenom bočne sile.

BATERIJE

- Isporučena baterija djelomično je napunjena (kako biste osigurali potpuni kapacitet baterije, prije prve upotrebe električnog alata bateriju potpuno napunite u punjaču baterije).
- S ovim alatom upotrebljavajte samo sljedeće baterije i punjače:
 - SKIL baterija: BR1*31****
 - SKIL punjač: CR1*31****
- Nemojte upotrebljavati oštećenu bateriju; oštećenu bateriju potrebno je zamijeniti.
- Nemojte rastavljati bateriju.
- Alat/bateriju nemojte izlagati kiši.
- Dopuštena temperatura okruženja (alat/punjač/baterija):
 - pri punjenju 4...40 °C
 - tijekom rada -20...+50 °C
 - tijekom skladištenja -20...+50 °C

OBJAŠNJENJE SIMBOLA NA ALATU/BATERIJI

- ③ Prije upotrebe pročitajte upute za upotrebu.
- ④ Baterije mogu eksplodirati ako se odlože u vatru, stoga ih nemojte spaljivati.
- ⑤ Alat/punjač/bateriju skladištite na mjestima gdje temperatura ne prelazi 50 °C.
- ⑥ Električne alate i baterije nemojte zbrinjavati s kućnim otpadom.

UPOTREBA

- Punjenje baterije
- **! Pročitajte sigurnosna upozorenja i upute isporučene s punjačem.**
- Uklanjanje/ulaganje baterije ②
- Indikator razine napunjenosti baterije ⑦
 - Za prikaz trenutačne razine napunjenosti baterije ⑦a pritisnite gumb indikatora razine napunjenosti baterije AB.
- **! Kada nakon pritiska na gumb AB ⑦b najniža razina indikatora razine napunjenosti baterije počne treperiti, baterija je prazna.**
- Kada nakon pritiska na gumb AB c ⑦2 razine

indikatora razine napunjenosti baterije počnu treperiti, baterija nije u okviru dopuštenog raspona radne temperature.

- LED svjetlo T ⑧
LED svjetlo automatski se uključuje kada se alat pokrene.
! Kada LED svjetlo počne treperiti, aktivira se zaštita baterije (vidjeti u nastavku).
- Zaštitna baterija
Alat se iznenada isključuje ili se neće uključiti kada
 - je opterećenje previsoko --> uklonite opterećenje i ponovno pokrenite
 - temperatura baterije nije u okviru dopuštenog raspona radne temperature od -20 °C do +50 °C --> 2 razine indikatora razine napunjenosti baterije počinju treperiti kada se pritisne gumb AB 7c; pričekajte da se baterija vrati u dopušteni raspon radne temperature.
 - je baterija skoro prazna (za zaštitu od dubokog pražnjenja) --> kada pritisnete tipku AB, indikator razine napunjenosti baterije prikazuje nisku razinu baterije ili trepereću nisku razinu napunjenosti ub; napunite bateriju.
- **! Nemojte nastaviti pritiskati prekidač za uključivanje/isključivanje nakon automatskog isključivanja alata; može se oštetiti baterija.**
- Postavljanje lista pile ②
! Izvadite bateriju iz alata.
 - Iz prostora za skladištenje B izvadite šesterostrani ključ A.
 - Pritisnite gumb za blokadu vretena F i držite ga pritisnutim dok uklanjate matični vijak lista pile AA okretanjem šesterostranog ključa A u SMJERU KRETANJA KAZALJKI NA SATU (= u istom smjeru koji pokazuje strelica utisnuta na listu pile).
- **! Gumb za blokadu vretena F pritisnite samo kada je alat u stanju mirovanja.**
 - Otpustite gumb za blokadu vretena F.
 - Uklonite prirubnicu Z.
- **! Vodite računa da stezne površine X prirubnica budu savršeno čiste i da budu licem okrenute prema listu pile.**
 - Otvorite donji štitnik W s ručicom S i držite ga dok postavljate list pile sa zupcima pile i strelicom utisnutom na listu pile usmjerene u istom smjeru kao i strelica na gornjem štitniku.
 - Otpustite donji štitnik W.
 - Postavite prirubnicu Z.
 - Pritisnite gumb za blokadu vretena F i držite ga pritisnutim dok pritežete matični vijak lista pile šesterostranim ključem za 1/8 okreta (ovim se osigurava da će list pile skliznuti ako naiđe na preveliki otpor, što može smanjiti preopterećenje motora i povratni udar pile).
 - Otpustite gumb za blokadu vretena F.
- Podešavanje dubine rezanja (0 - 41 mm) ⑨
 - Za optimalnu kvalitetu reza list pile ne smije prelaziti više od 3 mm ispod obratka.
 - Otpustite okretni gumb Q.
 - Podignite/spustite nožnu pločicu M tako da podesite željenu dubinu rezanja na ljestvici pomoću indikatora P.
 - Pritegnite okretni gumb Q.
- Podešavanje kuta rezanja (0 - 45°) ⑩
 - Otpustite okretni gumb U.
 - Nagnite alat tako da podesite željeni kut rezanja na

ljestvici pomoću indikatora V.

- Pritegnite okretni gumb U.

! Kod rezanja kosina, dubina rezanja ne odgovara vrijednosti na ljestvici dubine rezanja.

- Indikator linije rezanja L ¹¹

- Za vođenje alata duž željene linije rezanja označene na obratku.

- Za ravan rez od 0° ili rez s kosinom od 45° upotrebljavajte odgovarajuću liniju indikatora.

! Široki dio nožne pločice treba biti na poduprijetom dijelu obratka.

! Širina rezanja određuje se širinom zubaca lista pile, a ne širinom tijela lista pile.

! Uvijek najprije napravite probne rezove da provjerite stvarnu liniju rezanja.

- Usisavanje prašine ¹²

Za upotrebu usisavača

- Priključite crijevo usisavača na adapter za usisavač H.

! Crijevo usisavača nikada ne smije ometati donji štitičnik ili postupak rezanja.

! Usisavač nemojte upotrebljavati kada režete metal.

- Rukovanje alatom

- Postavite bateriju.

- Uvijek čvrsto držite ručku C.

- Alat postavite prednjim krajem nožne pločice na obradak.

! Uvjerite se da zupci pile ne zahvaćaju u obradak.

- Uključite alat tako da najprije pritisnete okretni gumb E (= sigurnosna sklopka koja se ne može blokirati), a zatim povučete okidač D.

! Alat treba raditi punom brzinom prije nego list pile uđe u obradak.

- Donji štitičnik W automatski se otvara kada list pile prođe u obradak (ručno otvorite donji štitičnik pomoću ručice S samo za posebne rezove kao što su uranjajući rezovi).

! Nemojte prisilno primjenjivati alat (primijenite lagani i kontinuirani pritisak da izbjegnute pregrijavanje vrhova lista pile).

! Tijekom rada alat uvijek držite za područje ručke.

- Nakon završetka rezanja isključite alat otpuštanjem okidača D.

! Uvjerite se da se list pile potpuno zaustavio prije podizanja alata s obratka.

SAVJETI ZA PRIMJENU

- Prilikom piljenja drva i materijala sličnih drvu, vodite računa da dobra strana obratka uvijek bude okrenuta prema dolje kako biste smanjili usinjavanje.
- Radni učinak piljenja i kvaliteta rezanja u velikoj mjeri ovise o stanju i broju zubaca na listu pile.
- Upotrebljavajte samo oštre listove pile koji su prikladni za materijal koji se reže ¹³.
 - Za rezanje drva, aluminijska, plastike i svih vrsta lameliranog drva upotrebljavajte listove pile od kaljenog čelika AC ².
 - Za rezanje keramike i pločica upotrebljavajte dijamanatnu reznu ploču AD ².
 - Listovi pile s vrhovima od karbida Y ² ostaju oštri do 30 puta dulje od uobičajenih listova pile.
- Paralelna vodilica J ¹⁴
 - Za precizne rezove duž ruba obratka
 - Umetnite kroz proreze na prednjem kraju nožne

pločice.

Podešavanje paralelne vodilice

- Otpustite vijak K pomoću šesterostranog ključa A.

- Podesite željenu širinu rezanja pomoću ljestvice paralelne vodilice (kao nultu (0) referencu upotrebljavajte indikator linije rezanja L).

- Pritegnite vijak K.

- Uranjajuće rezanje ¹⁵

- Podesite željenu dubinu rezanja.

- Nagnite alat prema naprijed s indikatorom linije rezanja L u ravnini sa željenom linijom reza označenom na obratku.

- Otvorite donji štitičnik W s ručicom S.

- Neposredno prije nego što list pile uđe u obradak, uključite alat i postupno spuštajte stražnji kraj alata tako da prednji kraj nožne pločice upotrijebite kao točku zakretanja.

- Postupno pomičite alat prema dolje i naprijed.

- Čim list pile prođe u materijal, otpustite ručicu S.

! Alat nemojte nikada povlačiti unatrag.

- Rezanje velikih ploča ¹⁶

- Poduprite ploču blizu reza bilo na podu, stolu ili radnom stolu.

! Podesite dubinu rezanja tako da režete kroz ploču, a ne kroz oslonac.

- Ako paralelna vodilica ne dopušta željenu širinu reza, stezaljkom ili čavlima pričvrstite ravan komad drveta na obradak kao vodilicu i uz ovu vodilicu ¹⁷ upotrebljavajte lijevu stranu nožne pločice.

- Više informacija potražite na internetskoj stranici www.skil.com.

ODRŽAVANJE/SERVISIRANJE

- Ovaj alat nije predviđen za profesionalnu upotrebu.
- Alat uvijek održavajte čistim (posebno ventilacijske otvore N).
- **! Prije čišćenja izvadite bateriju iz alata.**
- Područje oko donjeg štitičnika W ² uvijek održavajte čistim (uklonite prašinu i sječku otpuhivanjem stlačenim zrakom ili četkom).
- List pile odmah očistite nakon upotrebe (posebno od smole i ljepila).
- Ako se dogodi da je alat neispravan unatoč pažljivoj proizvodnji i testiranju, popravak treba obaviti ovlašteni servisni centar za električne alate proizvođača SKIL.
 - Pošaljite nerastavljen uređaj zajedno s dokazom o kupnji svom prodavaču ili najbližem servisu SKIL (adrese i servisni dijagram alata možete pronaći na www.skil.com).
- Imajte na umu da je šteta zbog preopterećenja ili nepravilnog rukovanja alatom isključena iz jamstva (pogledajte uvjete jamstva proizvođača SKIL na www.skil.com ili obratite se svom zastupniku).

ZAŠTITA OKOLIŠA

- Električne alate, baterije, pribor i ambalažu nemojte zbrinjivati s kućnim otpadom (samo za zemlje EU).
 - U skladu s europskom Direktivom 2012/19/EZ o otpadnoj električnoj i elektroničkoj opremi i njejoj implementaciji u nacionalno zakonodavstvo, električni alati koji su dostigli kraj radnog vijeka moraju se odvojeno prikupljati i slati na ekološki prihvatljivo

recikliranje.

- Simbol  će vas podsjetiti kada trebate obaviti zbrinjavanje.

! Prije zbrinjavanja zaštitite kontakte baterije debelom ljepljivom trakom da spriječite kratki spoj.

BUKA/VIBRACIJE


- Mjereno u skladu s normom EN 62841, razina zvučnog tlaka ovog alata je 96 dB(A), a razina zvučne snage je 107 dB(A) (nesigurnost K = 3 dB), a vibracija *(zbroy vektora troosnog sustava; nesigurnost K = 1,5 m/s²).
 - * Rezanje drva < 2,5 m/s²
 - * Rezanje metala < 2,5 m/s²
 - Razina emisije vibracija izmjerena je u skladu sa standardiziranim testom prema normi EN 62841; može se upotrebljavati za usporedbu jednog alata s drugim i kao preliminarna procjena izloženosti vibracijama pri upotrebi alata za navedene primjene.
 - Upotreba alata za različite primjene ili s različitim ili loše održanim priborom može značajno povećati razinu izloženosti.
 - Vrijeme kada je alat isključen ili kada je uključen ali se ne upotrebljava, može značajno smanjiti razinu izloženosti.
- ! Zaštitite se od utjecaja vibracija održavanjem alata i pripadajućeg pribora, održavanjem topline ruku i organiziranjem radnih obrazaca.**

SRB

Kompaktna višenamenska testera bez četkica

3540

UVOD

- Ovaj alat je namenjen za uzdužno i poprečno sečenje drveta, iverice, šperploče, aluminijuma, pločica, kamena, plastike i laganih građevinskih materijala sa pravim rezovima, kao i ugaonih rezova do 45
- Ovaj alat nije namenjen za profesionalnu upotrebu.
- Pročitajte i sačuvajte ovo uputstvo za rukovanje. 

TEHNIČKI PODACI


ELEMENTI ALATA

- A Inbus ključ
- B Skladište za heksagonalni ključ
- C Ručka
- D Okidač
- E Sigurnosni prekidač
- F Dugme za zaključavanje vretena
- G Port za ekstraktor prašine
- H Adapter za usisivač
- J Bočna vodilja
- K Vijak za podešavanje paralelne vodilje
- L Indikator linije sečenja
- M Podnožni oslonac

- N Prorezi za ventilaciju
- P Pokazatelj dubine sečenja
- Q Dugme za podešavanje dubine testerisanja
- R Gornji zaštitni mehanizam
- S Ručica za otvaranje donjeg zaštitnog mehanizma
- T LED-svetlo
- U Dugme za podešavanje ugla sečenja
- V Pokazatelj ugla sečenja
- W Donji zaštitni mehanizam
- X Površina za odsecanje
- Y Sečivo testere sa karbidnim vrhom
- Z Prirubnica
- AA Zavrtanj sečiva
- AB Dugme indikatora nivoa baterije
- AC Ojačano čelično sečivo testere
- AD Dijamantski disk

SIGURNOST

OPŠTA SIGURNOSNA UPOZORENJA ZA ELEKTRIČNI ALAT

 UPOZORENJE Pročitajte sva sigurnosna upozorenja, uputstva, ilustracije i specifikacije priložene uz ovaj električni alat. Nepridržavanje svih dole navedenih uputstava može da dovede do strujnog udara, požara i/ili ozbiljne povrede.

Sačuvajte sva upozorenja i uputstva za buduću upotrebu.

Pojam „električni alat“ u upozorenjima označava električni alat (sa žicom) koji se uključuje u utičnicu ili električni alat (bežični) na baterije.

1) BEZBEDNOST NA RADNOM PODRUČJU

- Održavajte radno područje čistim i dobro osvetljenim.** Na pretrpanim ili mračnim područjima su veće šanse da dođe do nezgoda.
- bNe koristite električne alate u eksplozivnim atmosferama, kao na primer u prisustvu zapaljivih tečnosti, gasova ili prašine.** Električni alat stvara varnice koje mogu zapaliti prašinu ili isparenja.
- c) Držite decu i prolaznike podalje dok koristite električni alat.** Ako vam nešto odvrti pažnju, možete izgubiti kontrolu.

2) ELEKTRIČNA BEZBEDNOST

- a) Utikaç električnog alata mora odgovarati utičnici. Nikada ne modifikujete utikač ni na koji način. Ne koristite adapterske utikače sa uzemljenim električnim alatom.** Nemodifikovani utikači i odgovarajuće utičnice će smanjiti rizik od strujnog udara.
- b) Izbegavajte kontakt delova tela sa uzemljenim površinama, poput cevi, radijatora, šporeta i frižidera.** Postoji povećan rizik od strujnog udara ako je vaše telo uzemljeno.
- c) Ne izlažite električne alate kiši ili mokrim uslovima.** Voda koja uđe u električni alat povećava rizik od strujnog udara.
- d) Nemojte zloupotrebljavati kabl. Nikada ne koristite kabl za nošenje, vučenje ili isključivanje iz utičnice električnog alata. Čuvajte kabl podalje od toplote, ulja, oštih ivica ili pokretnih delova. Oštećen ili**

- upetljan kabl povećava rizik od strujnog udara.
- e) **Kada koristite električni alat na otvorenom prostoru, koristite produžni kabl pogodan za korišćenje na otvorenom prostoru.** Upotreba kabla pogodnog za korišćenje na otvorenom prostoru smanjuje rizik od strujnog udara.
- f) **Ako je korišćenje električnog alata u vlažnom području neizbežno, koristite izvor napajanja sa zaštitnim uređajem diferencijalne struje (RCD).** Korišćenje RCD smanjuje rizik od strujnog udara.
- 3) LIČNA BEZBEDNOST**
- a) **Ostanite u pripravnosti, pazite šta radite i koristite zdrav razum kada koristite električni alat. Ne koristite električni alat kada ste umorni ili pod uticajem droga, alkohola ili lekova.** Trenutak nepažnje kada koristite električni alat je dovoljan da izazove ozbiljne telesne povrede.
- b) **Koristite ličnu zaštitnu opremu. Uvek nosite zaštitu za oči.** Zaštitna oprema poput maske za prašinu, radnih cipela koje se ne kliču, šlema ili zaštitne sluha će, kada se koristi za odgovarajuće uslove, smanjiti telesne povrede.
- c) **Sprečite nehotično pokretanje. Osigurajte da prekidač bude u isključenom položaju pre povezivanja na izvor napajanja i/ili bateriju, podizanja ili nošenja alata.** Nošenje električnih alata sa prstom na prekidaču ili uključivanje u utičnicu električnih alata čiji prekidač je u uključenom položaju priziva nezgode.
- d) **Uklonite sve ključeve za podešavanje pre uključivanja električnog alata.** Ključ koji ostane pričvršćen za rotacioni deo električnog alata može da izazove telesnu povredu.
- e) **Ne presežite. U svakom trenutku održavajte pravilan položaj nogu i ravnotežu.** To omogućava bolju kontrolu električnog alata u neočekivanim situacijama.
- f) **Držite kosu i odeću dalje od pokretnih delova.** Labava odeća, nakit ili duga kosa mogu da se zakače pokretnim delovima.
- g) **Ako su priloženi uređaji za povezivanje delova za izbacivanje i prikupljanje prašine, osigurajte da oni budu povezani i da se pravilno koriste.** Upotreba kolektora prašine može da smanji opasnosti koje izaziva prašina.
- h) **Ne dozvolite da zbog poznavanja koje ste stekli kroz čestu upotrebu alata postanete samozadovoljni i ignorišete principe bezbednosti alata.** Nemarni postupak može da izazove ozbiljniju povredu u deliću sekunde.
- 4) UPOTREBA I ODRŽAVANJE ELEKTRIČNOG ALATA**
- a) **Ne silite električni alat. Koristite odgovarajući električni alat za ono što radite.** Odgovarajući električni alat uradiće posao bolje i bezbednije onom brzinom za koju je dizajniran.
- b) **Ne koristite električni alat ako ga prekidač ne uključuje i isključuje.** Svaki električni alat koji se ne može kontrolisati prekidačem je opasan i mora se popraviti.
- c) **Izvcite utikač iz izvora napajanja i/ili izvadite bateriju, ako je odvojiva, iz električnog alata pre bilo kakvog podešavanja, menjanja dodatka ili skladištenja električnog alata.** Takve preventivne sigurnosne mere smanjuju rizik od nehotičnog pokretanja električnog alata.
- d) **Skladištite isključene električne alate van domašaja dece i ne dozvolite osobama koje nisu upoznate sa ovim električnim alatom ili ovim uputstvom da rukuju električnim alatom.** Električni alat je opasan u rukama nekvalifikovanih korisnika.
- e) **Održavajte električni alat i dodatke. Proverite pravilno poravnanje ili spojeve pokretnih delova, lomljenje delova i sva druga stanja koja mogu da utiču na rad električnog alata. Ako je oštećen, odnesite električni alat na popravku pre upotrebe.** Mnoge nezgode su izazvane loše održanim električnim alatom.
- f) **Održavajte alate koji seku oštrim i čistim.** Pravilno održavani alati za sečenje sa oštrim ivicama za sečenje se ređe zapetljavaju i lakše se kontrolišu.
- g) **Koristite električni alat, dodatke, delove itd. u skladu sa ovim uputstvom, uzimajući u obzir radne uslove i rad koji treba obaviti.** Korišćenje električnog alata za rad drugačiji od predviđenog moglo bi da dovede do opasne situacije.
- h) **Održavajte drške i površine koje hvatate suvim, čistim i bez ulja i masnoće.** Klizave drške i površine koje hvatate ne omogućavaju bezbedno rukovanje i kontrolu alata u neočekivanim situacijama.
- 5) UPOTREBA I ODRŽAVANJE ALATA NA BATERIJE**
- a) **Punite samo punjačem koji navodi proizvođač.** Punjač koji je prikladan za jedan tip baterije može da stvori opasnost od požara kad se koristi sa nekom drugom baterijom.
- b) **Koristite električni alat samo sa konkretno imenovanim baterijama.** Upotreba bilo kakvih drugih baterija može da stvori rizik od povrede i požara.
- c) **Kad se baterija ne koristi, držite je dalje od drugih metalnih predmeta, poput spajalica, novčića, ključeva, eksera, vijaka ili drugih malih metalnih predmeta koji mogu da naprave spoj jednog terminala sa drugim.** Kratak spoj terminala baterije može da izazove opekotine ili požar.
- d) **U ekstremnim uslovima može doći do curenja tečnosti iz baterije; izbegavajte kontakt sa njom. Ako dođe do nehotičnog kontakta, isperite vodom. Ako tečnost dođe u kontakt sa očima, takođe potražite i medicinsku pomoć.** Tečnost iz baterije može da izazove iritaciju ili opekotine.
- e) **Ne koristite bateriju ili alat koji su oštećeni ili modifikovani.** Oštećene ili modifikovane baterije mogu da ispolje nepredvidivo ponašanje, dovodeći do požara, eksplozije ili rizika od povrede.
- f) **Ne izlažite bateriju ili alat vatri ili previsokoj temperaturi.** Izlaganje vatri ili temperaturi iznad 130 °C može izazvati eksploziju.
- g) **Pratite sva uputstva za punjenje i ne puniti bateriju ili alat izvan temperaturnog opsega navedenog u uputstvima.** Punjenje na nepravilan način ili na temperaturama izvan navedenog opsega može da oštetiti bateriju i povećati rizik od požara.
- 6) SERVIS**
- a) **Ondesite električni alat na servisiranje kod kvalifikovanog servisera koji će koristiti samo identične rezervne delove.** To će osigurati da bezbednost električnog alata bude održana.
- b) **Nikad ne servisirajte oštećene baterije.** Servisiranje baterija treba da radi samo proizvođač ili ovlašćeni

BEZBEDNOSNA UPUTSTVA ZA KRUŽNU TESTERU

Postupci testerisanja

- a) **OPASNOST: Držite ruke dalje od mesta sečenja i oštrice.** Ako obe ruke drže testeru, sečivo ih ne može poseći.
- b) **Ne posežite ispod predmeta koji sečete.** Štitnik ne može da vas zaštiti od sečiva ispod predmeta koji sečete.
- c) **Podesite dubinu sečenja na debljinu predmeta koji sečete.** Ispod predmeta koji sečete treba da se vidi manje od celog zupca sečiva.
- d) **Predmet koji sečete nemojte nikad držati u rukama ili preko noge dok ga sečete. Pričvrstite predmet koji sečete na stabilnu platformu.** Važno je pravilno fiksirati materijal da biste smanjili izloženost delova tela, zaglavljivanje sečiva ili gubitak kontrole.
- e) **Držite električni alat za izolovane površine za hvatanje kada izvodite radove prilikom kojih alat može da dođe u kontakt sa skrivenim žicama.** Kontakt sa žicom pod naponom će učiniti da i izloženi metalni delovi električnog alata dođu pod napon pa rukovalac može da doživi strujni udar.
- f) **Prilikom uzdužnog sečenja, uvek koristite paralelnu ili ivičnu vodiču.** Na taj način se poboljšava preciznost sečenja i smanjuje se šansa za zaglavljivanje sečiva.
- g) **Uvek koristite listove testere odgovarajuće veličine i oblika rupa za osovinu (romb ili krug).** Sečiva koji se ne podudaraju sa hardverom za montažu na testeru će raditi ekscentrično, što dovodi do gubitka kontrole.
- h) **Nikada ne koristite oštećene ili pogrešne podloške za sečivo ili zavrtnj.** Podloške za sečivo i zavrtnj su posebno dizajnirani za vašu testeru, radi optimalnih performansi i bezbednosti pri rukovanju.

Uzroci povratnog udara i srodna upozorenja

- Povratni udarac predstavlja iznenadnu reakciju na zaglavljenje, blokiranje ili loše poravnato sečivo testere što izaziva nekontrolisano pomeranje testere ka gore i dalje od predmeta koji se obrađuje, prema rukovaocu.
- Kada se sečivo čvrsto zaglavi ili blokira prilikom zatvaranja reza, sečivo radi u prazno a reakcija motora ubrzano baci jedinicu unazad ka rukovaocu.
- Ako se sečivo iskrivi ili nije poravnato sa rezom, zubi na zadnjoj ivici sečiva mogu da se zabiju u gornju površinu drveta i da izazovu dizanje sečiva iz reza i iskakanje ka rukovaocu.

Povratni udarac nastaje kao rezultat neispravnog rukovanja testerom i/ili nepravilnih procedura u radu ili uslova i može da se izbegne preduzimanjem odgovarajućih mera predostrožnosti koje su dole navedene.

- a) **Čvrsto držite testeru i postavite ruke tako da možete da se oduprete silama povratnog udara. Postavite telo sa jedne ili druge strane sečiva, ali ne u liniji sa sečivom.** Povratni udarac može da izazove skok sečiva unazad ali rukovalac može kontrolisati sile povratnog udara ako preduzima odgovarajuće mere predostrožnosti.

- b) **Kada se sečivo zaglavljuje ili kada zbog bilo kog razloga prekidate sečenje, otpustite okidač i držite testeru nepomično u materijalu dok se sečivo potpuno ne zaustavi. Nikada ne pokušavajte da izvadite testeru iz predmeta koji obrađujete ili da je povučete unazad dok je sečivo u pokretu jer može doći do povratnog udara.** Istražite i preduzmite korektivne radnje kako biste eliminisali uzrok zaglavljivanja sečiva.
- c) **Prilikom ponovnog pokretanja testere u radnom predmetu, centrirajte list testere u rezu tako da zupci testere ne dodiruju u materijal.** Ako se list testere zaglavi, on može da iskoči iz radnog predmeta ili izazove povratni udarac kada se testera ponovo pokrene.
- d) **Poduprite velike panele da biste smanjili rizik od uklještenja sečiva i povratnog udara.** Velike ploče imaju tendenciju da se ugibaju pod sopstvenom težinom. Noseća struktura mora biti stavljena ispod panela sa obe strane, blizu linije reza i blizu ivice panela.
- e) **Ne koristite tupa ili oštećena sečiva.** Nenaostrena ili nepravilno postavljena sečiva prave uzan rez koji izaziva prekomerno trenje, zaglavljivanje sečiva i povratni udarac.
- f) **Ručice za zaključavanje podešavanja dubine sečenja i ugla moraju da budu zategnute i čvrste početka sečenja.** Ako se podešavanje sečiva promeni tokom sečenja, to može dovesti do zaglavljivanja i povratnog udara.
- g) **Budite posebno oprezni kod testerisanja u postojećim zidovima ili drugim slepim mestima.** Sečivo koje vidi može da zaseče predmete koji mogu da izazovu povratni udarac.

Funkcija donjeg štitnika

- a) **Pre svake upotrebe proverite da li je donji štitnik pravilno zatvoren. Nemojte upotrebljavati testeru ako se donji štitnik ne kreće slobodno i ako se ne zatvara odmah. Nikada nemojte da fiksirate ili vezujete donji štitnik u otvoreni položaj.** Ako je testera slučajno ispuštena, donji štitnik može biti savijen. Podignite donji štitnik pomoću drške za povlačenje i uverite se da se slobodno kreće i da ne dodiruje sečivo ili bilo koji drugi deo, u svim uglovima i dubinama sečenja.
- b) **Proverite rad opruge donjeg štitnika. Ako štitnik i opruga ne rade kako treba, moraju biti popravljivi pre upotrebe.** Donji štitnik može raditi sporo zbog oštećenih delova, gumastih naslaga ili nagomilanog iverja.
- c) **Donji štitnik može biti povučen ručno samo zbog specijalnih rezova kao što su „uronjeni rezovi“ i „kombinovani rezovi“.** Podignite donji štitnik pomoću drške za povlačenje i, čim sečivo uđe u materijal, donji štitnik mora biti pušten. Za svo ostalo testerisanje donji štitnik bi trebalo da radi automatski.
- d) **Uvek se uverite da donji štitnik pokriva sečivo pre nego što testeru spustite na tegzu ili pod.** Nezaštićeno sečivo koje radi u prazno će prouzrokovati da se testera kreće unazad, sekuci sve što joj se nađe na putu. Imajte u vidu vreme potrebno da se sečivo zaustavi nakon što pustite prekidač.

DODATNA SIGURNOSNA UPUTSTVA

OPŠTA

- Ovaj alat ne treba da koriste osobe ispod 16 godina
- Ovaj alat nije podesan za vlažno sečenje
- **Ne radite sa materijalima koji sadrže azbest (azbest se smatra karcinogenim)**
- Prašina od materijala poput farbe koja sadrži olovo, nekih vrsta drveta, minerala i metala može biti škodljiva (dodir sa tom prašinom ili njeno udisanje mogu izazvati alergijske reakcije i/ili respiratorne bolesti kod rukovaoca ili posmatrača); nosite masku za prašinu i radite sa uređajem za uklanjanje prašine kad ga je moguće spojiti
- Određene vrste prašine se klasifikuju kao karcinogene (poput prašine od hrasta i bukve), naročito u kombinaciji sa aditivima za kondicioniranje drveta; nosite masku za prašinu i radite sa uređajem za uklanjanje prašine kad ga je moguće spojiti
- Prati nacionalne propise vezane za prašinu koja se proizvodi prilikom rada na obrađivanim materijalima
- Nemojte koristiti testeru u kombinaciji sa stolom za testiranje
- Uklonite bateriju iz alata pre svakog podešavanja ili promene pribora

PRIBOR

- SKIL može priznati garanciju samo ukoliko je korišćen originalni pribor
- Koristite samo sečiva koja odgovaraju karakterističnim podacima datim u ovom uputstvu za rukovanje i koja su testirana i obeležena u skladu sa EN 847-1, ako su namenjena drvetu i materijalima nalik drvetu.
- Koristite samo pribor čija je dozvoljena brzina u najmanju ruku jednaka najvećoj brzini pri praznom hodu električnog alata
- **Koristite isključivo listove/ploče minimalnog prečnika 115 mm, maksimalnog prečnika 120 mm, i sa otvorom za vreteno širine 9,5 mm**
- Uz ovaj električni alat nikad nemojte da koristite brusne točkove
- Pažljivo rukujte i čuvajte pribor
- Identifikujte odgovarajuće sečivo testere koje će se koristiti za sečenje materijala.

PRE UPOTREBE

- Izbegavajte oštećenja od šrafova, eksera i drugih predmeta na vašem području rada; uklonite ih pre nego što započnete rad
- Pre nego što započnete sečenje, uklonite sve prepreke na vrhu, kao i ispod putanje sečenja
- **Učvrstite radni predmet** (radni predmet stegnut pomoću stega ili nečeg sličnog je mnogo stabilniji nego kada se drži rukom)
- **Koristite odgovarajuće detektore da biste pronašli vodove ili pozovite lokalnu kompaniju radi pomoći** (dodir sa električnim vodovima može dovesti do požara ili strujnog udara; oštećivanje gasnog voda može dovesti do eksplozije; probijanje vodovodne cevi će izazvati imovinsku štetu ili strujni udar)

TOKOM UPOTREBE

- Buka koju alat proizvodi tokom rada može da premaši 85 dB(A); nosite zaštitu za sluh
- Nemojte nikada da koristite električni alat bez originalnog sistema za zaštitu
- Ne pokušavajte da sečete veoma mala područja rada
- Nemojte da radite sa ovim alatom iznad glave
- U slučaju da dođe do blokade ili električnog ili mehaničkog kvara, odmah isključite alat i uklonite bateriju

NAKON UPOTREBE

- Kada završite rad sa alatom, isključite motor i proverite

da li su se zaustavili svi pokretni delovi

- Nakon isključivanja kružne testere, nemojte nikada da zaustavljate obrtanje sečiva testere primenom bočne sile

BATERIJE

- Baterija se isporučuje delimično napunjena (da biste osigurali pun kapacitet baterije, bateriju napunite do kraja u punjaču baterije pre prvog korišćenja električnog alata)
- Koristite samo sledeće baterije i punjače sa ovim alatom
 - SKIL baterija: BR1*31****
 - SKIL punjač: CR1*31****
- Nemojte koristiti oštećenu bateriju; treba je zameniti
- Nemojte da rastavljate bateriju
- Nemojte izlagati alat/bateriju kiši
- Dozvoljena ambijentalna temperatura (alat/punjač/baterija):
 - tokom punjenja od 4 do 40 °C
 - tokom rada od -20 do +50 °C
 - tokom skladištenja od -20 do +50 °C

OBJAŠNJENJE SIMBOLA NA ALATU/BATERIJI

- ③ Pročitajte uputstvo za korišćenje pre prve upotrebe
- ④ Baterije će eksplodirati ako se izlože vatri, zato nikada ne palite baterije
- ⑤ Čuvajte alat/punjač/bateriju na mestima gde temperatura neće preći 50 °C
- ⑥ Ne odlažite električne alate i baterije u kućni otpad

UPUTSTVO ZA KORIŠĆENJE

- Punjenje baterije
! pročitajte bezbednosna upozorenja i uputstva priložena uz punjač
- Uklanjanje/installiranje baterije ②
- Indikator nivoa baterije ⑦
 - pritisnite dugme AB indikatora nivoa baterije da bi se prikazao trenutni nivo baterije ⑦a
 - ! kada najniži nivo indikatora baterije počne da treperi nakon pritiska dugmeta AB ⑦b, baterija je prazna**
 - ! kada 2 nivoa indikatora baterije počnu da trepere nakon pritiska na dugme AB ⑦c, baterija nije u dozvoljenom opsegu radne temperature**
- LED svetlo T ⑧
LED svetlo se automatski uključuje kada se alat aktivira
! kada LED svetlo počne da treperi, aktivira se zaštita baterije (pogledajte ispod)
- Zaštita baterije
Alat se iznenada isključuje ili ne može da se uključi kada je
 - **opterećenje je preveliko** -> uklonite opterećenje i restartujte
 - **temperatura baterije nije u dozvoljenom radnom opsegu temperature od -20 do +50 °C** -> 2 nivoa indikatora za nivo baterije počinju da trepere kada pritisnete dugme AB 7c; sačekajte dok se baterija ne vrati u dozvoljeni radni opseg temperature
 - **baterija je skoro prazna (za zaštitu od prekomernog pražnjenja)** -> nizak nivo baterije ili treperenje za nizak nivo baterije ub se prikazuju na indikatoru za nivo baterije kada se pritisne dugme AB; napunite bateriju**! nemojte nastaviti da pritiskate prekidač za uključivanje/isključivanje nakon automatskog isključivanja alata; baterija se može oštetiti**
- Montiranje sečiva testere ②

! uklonite bateriju iz alata

- izvadite inbus ključ A iz skladišta B
- pritisnite dugme za blokiranje vretena F i držite ga dok skidate zavrtnj sečiva AA okretanjem inbus ključa A, U SMERU KAZALJKE NA SATU (= u istom smeru kao strelica odštampana na sečivu)

! dugme za zaključavanje vretena F pritisnite tek kada se alat sasvim zaustavi

- otpustite dugme za zaključavanje vretena F
- uklonite prirubnicu Z

! vodite računa da površine za stezanje X na prirubicama budu potpuno čiste i okrenute ka sečivu

- otvorite donji štitnik W pomoću ručice S i držite je dok motirate list testere; zubi i strelica utisnuta na listu treba da budu okrenuti u istom smeru kao i strelica na gornjem štitniku

- otpustite donji štitnik W
- montirajte prirubnicu Z

- pritisnite dugme za zaključavanje vretena F i držite ga dok zatežete navrtanj sečiva pomoću inbus ključa za 1/8 okreta nakon što zategnete prstima (tako se osigurava klizanje sečiva testere kada naide na prekomerni otpor i smanjuje preopterećenje motora i povratni udarac testere)

- otpustite dugme za zaključavanje vretena F

- **Podešavanje dubine sečenja (0-41 mm) ③**

- radi optimalnog kvaliteta sečenja, sečivo testere ne bi trebalo da bude duže od 3 mm ispod područja rada
- otpustite dugme Q
- podignite/spustite stopu M dok ne podesite željenu dubinu sečenja na skali korišćenjem indikatora P
- zategnite dugme Q

- **Podešavanje ugla sečenja (0-45°) ⑩**

- otpustite dugme U
- naginjte alat dok ne podesite željeni ugao sečenja na skali korišćenjem indikatora V
- pričvrstite dugme U

! pri kosom sečenju, dubina sečenja ne odgovara vrednosti prikazanoj na skali za dubinu sečenja

- **Indikator linije sečenja L ⑪**

- za vođenje električnog alata duž željene linije označene na području rada
- za ravno sečenje pod uglom od 0° ili koso sečenje pod uglom od 45° koristite liniju indikatora

! širi deo stope bi trebalo da stoji na poduprtom delu predmeta koji obrađujete

! širina sečenja se određuje širinom zubaca sečiva, a ne širinom lista sečiva

! uvek prvo izvedite probno sečenje, da biste proverili stvarnu liniju sečenja

- **Usisavanje prašine ⑫**

Ako želite da koristite usisivač

- povežite crevo usisivača na adapter za usisivač H

! nikada nemojte da dozvolite da crevo usisivača ometa donji štitnik ili operaciju sečenja

! ne koristite usisivač kad sečete metal

- **Rukovanje alatom**

- stavljanje baterije
- uvek čvrsto držite ručku C
- postavite električni alat sa prednjim krajem ravne stope na područje rada

! osigurajte da zubi testere ne dodiruju predmet koji

obrađujete

- uključite alat tako što ćete prvo pritisnuti dugme E (= sigurnosni prekidač koji se ne može zaključati), a zatim povući okidač D

! alat bi trebalo da radi punom brzinom pre nego što sečivo uđe u predmet koji obrađujete

- donji štitnik W se automatski otvara kada sečivo uđe u predmet koji obrađujete (ručno otvorite donji štitnik pomoću ručice S samo za posebne vrste sečenja, na primer za uronjeno sečenje)

! ne forsirajte alat (primenite lak i kontinuiran pritisak da biste izbegli pregrevanje vrhova sečiva)

! okom rada, uvek držite alat za područja za hvatanje

- nakon završetka sečenja, isključite alat otpuštanjem okidača D

! pre nego što podignete alat sa područja rada, proverite da li je došlo do potpunog prekida rada sečiva

SAVETI ZA PRIMENU

- Dobru stranu materijala za rad uvek okrenite nadole da biste osigurali minimalno cepanje kad sečete drvo ili materijale nalik drvetu.
- Performanse testerisanja i kvalitet sečenja u suštini zavise od stanja sečiva testere i broja zuba na njemu.
- Koristite samo oštra sečiva testere koja su prikladna za materijal koji sečete ⑬
 - upotrebite ojačano čelično sečivo testere AC ② za sečenje drveta, aluminijuma, plastike i svih vrsta lameliranog drveta
 - koristite dijamantski disk AD ② za sečenje keramike i pločica
 - sečiva sa karbidnim vrhovima Y ② ostaju oštra do 30 puta duže od običnih sečiva
- Bočna vodilja J ⑭
 - za pravljenje tačnih rezova duž ivice područja rada
 - ubaciti kroz otvore na prednjem delu stope
- **Podešavanje bočne ograde**
 - olabavite vijak K koristeći inbus ključ A
 - podesite željenu širinu sečenja pomoću skale na bočnoj vodilji (koristite indikator linije sečenja L kao nulti položaj)
 - zategnite vijak K
- **Uronjeno sečenje ⑮**
 - podesite željenu dubinu sečenja
 - nagnite alat unapred sa indikatorom linije sečenja L poravnatim sa željenom linijom sečenja označenom na radnom predmetu
 - otvorite donji štitnik W pomoću ručice S
 - neposredno pre nego što sečivo dodirne područje rada, uključite električni alat i postepeno spuštajte stražnji kraj alata korišćenjem prednjeg kraja stope kao pokazivača
 - postepeno pomerajte alat nadole i napred
 - čim sečivo uđe u materijal, otpustite ručicu S
- **! nemojte nikad da vučete alat unazad**
- **Sečenje velikih ploča ⑯**
 - postavite ploču blizu sečenja na pod, sto ili na radni sto
- **! podesite dubinu sečenja tako da sečete kroz ploču, a ne kroz podupirač**
 - u slučaju da paralelni graničnik ne omogućava željenu

širinu sečenja, zakačite stegom ili ekserom ravan komad drveta na područje rada kao vodič i koristite levu stranu stope uz ovaj vodič¹⁷⁾

- Za više informacija pogledajte www.skil.com

ODRŽAVANJE/SERVIS

- Ovaj alat nije namenjen za profesionalnu upotrebu
- Uvek održavajte alat čistim (posebno otvore za ventilaciju N)
! pre čišćenja uklonite bateriju iz alata
- Neka prostor oko donjeg štitnika W ²⁾ uvek bude čist (uklonite prašinu i opiljke komprimovanim vazduhom ili četkom)
- Sečivo testere očistite neposredno posle upotrebe (posebno od smole i lepka)
- Ako bi alat i pored brižljivog postupka izrade i kontrole nekada otkazao, popravku mora vršiti neki autorizovani servis za SKIL električne alate
 - pošaljite nerasklopljeni alat zajedno sa dokazom kupovine vašem prodavcu ili najbližoj SKIL servisnoj stanici (adrese kao i servisni dijagram alata možete naći na www.skil.com)
- Imajte na umu da za oštećenja nastala usled preopterećenja ili nepravilnog rukovanja neće važiti garancija (za uslove SKIL garancije posetite www.skil.com ili pitajte svog prodavca)

ZAŠTITA OKOLINE

- Električne alate, baterije, pribor i ambalažu ne odlažite u kućne otpatke (samo za EU-države)
 - prema Evropskoj direktivi 2012/19/EC o otpadnoj električnoj i elektronskoj opremi i njenoj primeni u skladu sa nacionalnim zakonodavstvom, električni alati koji su došli do kraja svog radnog veka moraju biti prikupljeni zasebno i odneti u ekološki pogon za reciklažu
 - simbol ⁶⁾ će vas podsetiti na to kada se potreba za odlaganjem pojavi
- ! da bi se izbegli kratki spojevi, terminale baterije treba zaštititi debljom samolepljivom trakom pre odlaganja na otpad**

BUKA/VIBRACIJA

- Mereno u skladu sa EN 62841, nivo zvučnog pritiska ovog alata je 96 dB(A), nivo zvučne snage je 107 dB(A) (nesigurnost K = 3 dB), a vibracija je *(troosni vektorski zbir; nesigurnost K = 1,5 m/s²)
* sečenje drveta <2,5 m/s²
* sečenje metala <2,5 m/s²
- Nivo emisije vibracija izmeren je u skladu sa standardizovanim testom datim u EN 62841; on se može koristiti za upoređenje jedne alatke sa drugom, kao i za preliminarnu procenu izloženosti vibracijama pri korišćenju ove alatke za pomenute namene
 - korišćenje alata u drugačije svrhe ili sa drugačijim ili slabo održavanim priborom može značajno povećati nivo izloženosti
 - vreme kada je alat isključen ili kada je uključen ali se njime ne radi može značajno smanjiti nivo izloženosti
- ! zaštitite se od posledica vibracija tako što ćete održavati alat i pribor, voditi računa da vam ruke budu tople i organizovati svoj rad**

(SLO)

Kompaktna žaga za već materialov brez krtač

3540

UVOD

- To orodje je namenjeno za vzdolžno i prečno žaganje lesa, ivernih plošč, vezanega lesa, aluminija, ploščic, kamna, plastike in lahkih gradbenih materialov z ravnimi rezi in kotnimi rezi do 45 mm.
- To orodje ni namenjeno profesionalni uporabi.
- Preberite ta navodila za uporabo in jih shranite. ³⁾

TEHNIČNI PODATKI ¹⁾

DELI ORODJA ²⁾

- A Imbus ključ
- B Mesto za shranjevanje šestkotnega ključa
- C Ročaj
- D Sprožilec stikala
- E Varnostno stikalo
- F Gumb za blokado vretena
- G Odprtina za odsesavanje prahu
- H Adapter za sesalnik
- J Stransko vodilo
- K Vijak za nastavitev stranskega vodila
- L Indikator linije reza
- M Ščit
- N Ventilacijske reže
- P Skala globine reza
- Q Gumb za nastavitev globine žaganja
- R Zgornje varovalo
- S Ročica za odpiranje spodnjega varovala
- T Lučka LED
- U Gumb za nastavitev kota reza
- V Skala kota reza
- W Spodnje varovalo
- X Naležne površine
- Y Žagan list s karbidno konico
- Z Prirobnica
- AA Vijak rezila
- AB Gumb indikatorja za napolnjenost akumulatorja
- AC Rezilo iz ojačanega jekla
- AD Diamantni kolut

VARNOST

SPLOŠNA VARNOSTNA OPOZORILA ZA ELEKTRIČNA ORODJA

⚠ OPOZORILO Preberite vsa varnostna opozorila, navodila, slike in tehnične podatke, ki so priloženi temu električnemu orodju. Zaradi neupoštevanja spodaj navedenih navodil lahko pride do električnega udara, požara in/ali hudih telesnih poškodb.

Vsa opozorila in navodila shranite za kasnejšo uporabo.

Izraz »električno orodje« v opozorilih se nanaša na orodja, ki jih poganja električni tok (žična), ali na akumulatorska (brežžična) orodja.

1) VARNOST DELOVNEGA OBMOČJA

- a) **Delovno območje naj bo čisto in dobro osvetljeno.** Na neurejenih ali temnih območjih se hitro zgodijo nesreče.
- b) **Električnega orodja ne upravljajte v eksplozivnih okoljih, na primer ob prisotnosti vnetljivih tekočin, plinov ali prahu.** Električno orodje ustvarja iskre, ki lahko povzročijo vžig prahu ali hlapov.
- c) **Med uporabo električnega orodja v bližino ne pustite otrok in drugih ljudi.** Zaradi motenj lahko izgubite nadzor.

2) ELEKTRIČNA VARNOST

- a) **Vtiči električnih orodij se morajo prilegati vtičnicam.** Vtiča nikoli ne smete spreminjati na kakršen koli način. Z ozemljenimi električnimi orodji ne uporabljajte adapterjev. Nespremenjeni vtiči in pripadajoče vtičnice bodo zmanjšali tveganje električnega udara.
- b) **Izogibajte se telesnemu stiku z ozemljenimi površinami, kot so cevi, radiatorji, štedilniki in hladilniki.** Če je vaše telo ozemljeno, obstaja povečano tveganje električnega udara.
- c) **Orodja ne izpostavljajte dežju ali vlažnim vremenskim pogojem.** Če v električno orodje zaide voda, obstaja večja možnost električnega udara.
- d) **Ne poškodujte električnega kabla.** Kabla nikoli ne uporabljajte za nošenje, vlečenje ali odklapanje električnega orodja. Kabel hranite stran od vročine, olja, ostrih robov ali premikajočih se delov. Poškodovani ali zapleteni kabli zvišujejo tveganje električnega udara.
- e) **Med zunanjo uporabo električnega orodja uporabljajte podaljšek, ki je primeren za zunanjo uporabo.** Uporaba kabla, primernega za zunanjo uporabo, znižuje tveganje električnega udara.
- f) **Če je uporaba električnega orodja na vlažnem mestu neizogibna, uporabite napajanje, zaščiteno z napravo na diferenčni tok.** Uporaba te naprave bo zmanjšala nevarnost električnega udara.

3) OSEBNA VARNOST

- a) **Med uporabo električnega orodja bodite pozorni, spremljajte potek dela in uporabljajte zdrav razum.** Električnega orodja ne uporabljajte, kadar ste utrujeni ali pod vplivom drog, alkohola ali zdravil. Trenutek nepazljivosti med uporabo električnega orodja lahko povzroči hude telesne poškodbe.
- b) **Uporabljajte osebno varovalno opremo. Vedno uporabljajte zaščito za oči.** Če v različnih okoliščinah nosite ustrezno zaščitno opremo, kot so maska proti prahu, obutev z neдрsečim podplatom, trdno pokrivalo glave in zaščita za sluh, zmanjšate možnost telesnih poškodb.
- c) **Preprečite neželen zagon. Pred priklopom na vir napajanja in/ali priklopom akumulatorskega sklopa ter pred dvigovanjem ali nošenjem orodja se prepričajte, da je stikalo v položaju za izklop.** Prenaslanje električnih orodij s prstom na stikalu ali napajanje električnih orodij, pri katerih je stikalo v položaju za vklop, povzroči tveganje za nesreče.

- d) **Pred vklopom električnega orodja odstranite morebitne nastavitvene ključce ali viličaste ključce.** Viličasti ali drug ključ, ki je pritrjen na vrtljivi del električnega orodja, lahko povzroči telesne poškodbe.
 - e) **Ne stegujte se preveč. Pazite, da ves čas stojite stabilno in ohranjate ravnotežje.** To omogoča boljši nadzor nad električnim orodjem v nepričakovanih situacijah.
 - f) **Pazite, da lasje in oblačila ne pridejo v bližino gibljivih delov.** Ohlapna oblačila, nakit ali dolgi lasje se lahko zapletejo v gibljive dele.
 - g) **Če imate na voljo naprave za sesanje in zbiranje prahu, preverite, ali so prikjučene in ali se ustrezno uporabljajo.** Uporaba naprav za zbiranje prahu lahko zmanjša nevarnosti, povezane s prahom.
 - h) **Čprav dobro poznate orodje zaradi pogoste uporabe, ne postanite ravnodušni in ne prezirajte varnostnih načel orodja.** Nepazljivost pri uporabi lahko povzroči hude telesne poškodbe v delcu sekunde.
- ### 4) UPORABA IN NEGA ELEKTRIČNEGA ORODJA
- a) **Električnega orodja ne prebremenjujte. Uporabite električno orodje, ki je primerno za vaše delo.** Ustrezno električno orodje bo nalogo opravilo bolje in varneje pri zmogljivosti, za katero je bilo zasnovano.
 - b) **Ne uporabljajte električnega orodja, če ga ni mogoče vklopiti in izklopiti s stikalom.** Kakršno koli električno orodje, ki ga ni mogoče nadzirati s stikalom, je nevarno in ga je potrebno popraviti.
 - c) **Odklopite vtič iz vira napajanja in/ali odstranite baterijski sklop, če je snemljiv, preden opravite kakršne koli prilagoditve, menjate nastavke ali shranite električno orodje.** Tovrstni preventivni varnostni ukrepi zmanjšujejo tveganje nenamernega zagona električnega orodja.
 - d) **Električna orodja, ki niso v uporabi, shranjujte izven dosega otrok in ne dovolite, da bi električno orodje uporabljale osebe, ki niso seznanjene z električnim orodjem ali s temi navodili.** Električno orodje je v rokah neusposobljenih uporabnikov nevarno.
 - e) **Električna orodja in dodatke vzdržujte. Preverite morebitno nevarnost ali povezavo premikajočih se delov, zlome delov ali morebitno drugačno stanje, ki bi lahko vplivalo na delovanje električnega orodja.** Če je električno orodje poškodovano, ga pred ponovno uporabo nesite na popravilo. Mnogo nesreč se pripeti zaradi slabo vzdrževanih električnih orodij.
 - f) **Rezalna orodja naj bodo vedno nabrušena in čista.** Pravilno vzdrževana rezalna orodja z ostrimi rezili se težje zaskočijo in jih je lažje nadzirati.
 - g) **Električno orodje, dodatke, dele orodja itd. uporabljajte v skladu s temi navodili, pri tem pa upoštevajte delovne pogoje in delo, ki ga boste opravljali.** Če boste električno orodje uporabljali za neustrezne namene, lahko pride do nevarnih situacij.
 - h) **Ročaji in prijemalne površine naj bodo suhe, čiste in brez madežev olja ali masti.** Drseči ročaji in prijemalne površine ne omogočajo varnega ravnanja in nadzorovanja orodja v nepričakovanih situacijah.
- ### 5) UPORABA IN VZDRŽEVANJE AKUMULATORSKEGA ORODJA
- a) **Baterijo polnite le s polnilnikom, ki ga določa proizvajalec.** Polnilnik, ki je primeren za eno vrsto

akumulatorskih baterij, morda lahko povzroči nevarnost požara, če z njim polnite drugo vrsto akumulatorske baterije.

- b) **Akumulatorska orodja uporabljajte samo s predpisano vrsto akumulatorskih baterij.** Uporaba katerih koli drugih akumulatorskih baterij lahko povzroči tveganje za telesne poškodbe in požar.
 - c) **Ko akumulatorskih baterij ne uporabljate, jih hranite stran od kovinskih predmetov, kot so sponke za papir, kovanci, ključi, žebli, vijaki ali drugi majhni kovinski deli, ki bi lahko povzročili stik med obema poloma.** Kratak stik zaradi povezanih kontaktov akumulatorja lahko povzroči opeklino ali požar.
 - d) **Ob zlorabi akumulatorja lahko iz njega steče tekočina; izogibajte se stiku z njo. Če se nehotе dotaknete tekočine, mesto dotika sperite z vodo. Če pride tekočina v stik z očmi, poiščite zdravniško pomoč.** Tekočina, ki brizgne iz akumulatorja, lahko povzroči draženje ali opeklino.
 - e) **Baterijskega sklopa ali orodja, ki je poškodovano ali spremenjeno, ne uporabljajte.** Poškodovane ali spremenjene baterije se lahko nepredvidljivo vedejo, kar lahko povzroči požar, eksplozijo ali tveganje telesnih poškodb.
 - f) **Baterijskega sklopa ali orodja ne izpostavljajte ognju ali previsokim temperaturam.** Izpostavljenost ognju ali temperaturam nad 130 °C lahko povzroči eksplozijo.
 - g) **Upoštevajte vsa navodila za polnjenje in akumulatorske baterije ali orodja ne polnite izven temperaturnega razpona, navedenega v navodilih.** Zaradi nepravilnega polnjenja ali temperature zunaj navedenega razpona lahko pride do poškodb akumulatorja in povečanega tveganja za požar.
- 6) **SERVIS**
- a) **Električno orodje naj servisira usposobljeno servisno osebje, ki uporablja le enake nadomestne dele.** To bo zagotovilo ohranjanje varnosti električnega orodja.
 - b) **Nikoli ne popravljajte poškodovanih akumulatorskih baterij.** Akumulatorske baterije lahko popravi le proizvajalec ali pooblaščen izvajalec servisiranja.

VARNOSTNA NAVODILA ZA KROŽNE ŽAGE

Postopki rezanja

- a) **NEVARNOST: Roke držite stran od območja rezanja in rezila.** Če držite žago z obema rokama, ju rezilo ne more prerezati.
- b) **Ne segajte pod obdelovanec.** Varovalo vas ne more zaščititi pred rezilom pod obdelovancem.
- c) **Nastavite globino rezanja na debelino obdelovanca.** Pod obdelovancem ne sme biti viden celoten zob zobnega rezila.
- d) **Med rezanjem nikoli ne držite obdelovanca v rokah ali čez nogo.** Obdelovanec pritrđite na stabilno platformo. Pomembno je, da se pravilno lotite dela, da zmanjšate izpostavljenost telesa, vezavo rezila ali izgubo nadzora.
- e) **Med izvajanjem postopka, pri katerem se lahko rezalna oprema dotakne skritega ožičenja, držite**

električno orodje za izolirane prijemalne površine.

Če se dotakne žice, ki je pod električno napetostjo, se izpostavljeni kovinski deli električnega orodja naelektrijo in povzročijo električni udar.

- f) **Pri trganju vedno uporabite ograjo ali vodilo z ravnim robom.** Tako izboljšate natančnost reza in zmanjšate možnost vezave rezila.
- g) **Vedno uporabljajte rezila z ustrežno velikostjo in obliko (diamantna ali okrogla) lukenj za nastavke.** Rezila, ki se ne ujemajo z vgradnim nastavkom žage, se premikajo izven središča, kar povzroča izgubo nadzora.
- h) **Nikoli ne uporabljajte poškodovanih ali napačnih podložk rezila ali sornika.** Podložke rezila in sornik so bili posebej zasnovani za vašo žago, za njeno optimalno in varno delovanje.

Vzroki za povratne sunke in z njimi povezana opozorila

- Povratni sunek je nenadna reakcija na stisnjen, zataknjen ali neporavnan žagin list, zaradi česar se žaga nenadzorovano dvigne gor in iz obdelovanca proti upravljaljvcu.
- Ko je rezilo stisnjeno ali tesno zataknjeno zaradi zapiranja zarez, se rezilo upočasni in reakcija motorja hitro požene enoto proti operaterju.
- Če se rezilo zvije ali nepravilno poravna v rezu, se lahko zobje na zadnjem robu rezila poglobijo v zgornjo površino lesa, zaradi česar se rezilo dvigne iz zarez in skoči nazaj proti operaterju.

Povratni sunek je posledica nepravilne uporabe žage in/ali nepravilnih delovnih postopkov ali pogojev, temu pa se lahko izognete s pravnimi ukrepi, opisanimi spodaj:

- a) **Trdno primate žago in postavite roki tako, da boste lahko ublažili sile povratnih sunkov.** Postavite se na obe strani rezila, vendar ne v linijo rezila. Povratni udarec lahko povzroči, da žaga odskoči, vendar lahko upravljalvec ob upoštevanju ustreznih previdnostnih ukrepov nadzoruje sile povratnega udarca.
- b) **Ko je rezilo vezano ali pri prekinitvi reza iz kakršnega koli razloga spustite sprožilec in držite žago nepremično v materialu, dokler se rezilo popolnoma ne ustavi.** Nikoli ne poskušajte odstraniti žage iz obdelovanca ali povleči žage nazaj, medtem ko se rezilo premika, saj lahko pride do povratnega sunka. Raziščite in sprejmite korektivne ukrepe, da odpravite vzrok za vezavo rezila.
- c) **Pri ponovnem zagonu žage v obdelovancu poravnajte žagin list na sredino zarez, tako da se zobniki žage ne zagodijo v material.** Če se žagin list veže, se lahko ob ponovnem zagonu žage dvigne ali sune nazaj iz obdelovanca.
- d) **Velike plošče podprite, da zmanjšate nevarnost stiskanja rezila in povratnega sunka.** Velike plošče se pogreznejo pod svojo lastno težo. Opornike je treba postaviti pod ploščo na obeh straneh, blizu linije reza in blizu roba plošče.
- e) **Ne uporabljajte topih ali poškodovanih rezil.** Nenabrušena ali nepravilno nameščena rezila ustvarjajo ozko zarezo, ki povzroči prekomerno trenje, vezavo rezila in povratni sunek.
- f) **Preden naredite rez, morajo biti globina rezila in zaklepni vzvodi za nastavitev poševnine trdno in**

varno nameščeni. Če se med rezanjem nastavitve rezila spremeni, lahko povzroči vezavo in povratni sunek.

- g) **Pri žaganju v obstoječe stene ali druga slepa območja morate biti še posebej previdni.** Izstopajoče rezilo lahko prereže predmete, ki lahko povzročijo povratni sunek.

Funkcija spodnjega varovala

- a) **Pred vsako uporabo preverite, ali je spodnje varovalo pravilno zaprto. Žage ne uporabite, če se spodnje varovalo ne premika prosto in se takoj zapre. Spodnjega varovala nikoli ne vpnite ali pritrdite v odprt položaj.** Če je žaga ponesreči padla, se lahko spodnje varovalo zvije. Z izvlečno ročico dvignite spodnje varovalo in se prepričajte, da se prosto giblje in se ne dotika rezila ali katerega koli drugega dela v vseh kotih in globinah reza.
- b) **Preverite delovanje vzmeti spodnjega varovala. Če varovalo in vzmet ne delujeta pravilno, ju je treba pred uporabo servisirati.** Spodnje varovalo lahko deluje počasi zaradi poškodovanih delov, lepljivih usedlin ali kopičenja ostankov.
- c) **Spodnje varovalo lahko ročno uvlečete samo za posebne reze, kot so »potopni rezi« in »sestavljene rezi«.** Z uvlečnim ročajem dvignite spodnje varovalo in takoj, ko se rezilo dotakne materiala, se mora spodnje varovalo sprostiti. Pri vseh drugih postopkih žaganja mora delovati spodnje varovalo samodejno.
- d) **Vedno preverite, ali spodnje varovalo pokriva rezilo, preden odložite žago na delovno mizo ali na tla.** Nezaščiten, vrteče se rezilo bo povzročilo, da se bo žaga premaknila nazaj in pri tem zarezala v vse na njeni poti. Upošteвайте čas, ki je potreben, da se rezilo zaustavi po sprostitvi stikala.

DODATNA VARNOSTNA NAVODILA

SPLOŠNO

- Tega orodja naj ne bi uporabljale osebe, mlajše od 16 let.
- To orodje ni primerno za mokro rezanje
- **Ne obdelujte materiala, ki vsebuje azbest (azbest povzroča rakasta obolenja).**
- Prah materialov, kot so barve, ki vsebujejo svinec, nekatere vrste lesa, mineralov ali kovin, je lahko škodljiv (ob stiku ali vdihavanju lahko prah pri delavcu ali pri drugih prisotnih povzroči alergijsko reakcijo in/ali boleznih dihal); **nosite masko za prah in pri delu uporabljajte napravo za odsesavanje prahu, kjer je le-to možno priključiti.**
- Nekaterne vrste prahu so klasificirane kot kancerogene (npr. prah hrasta in bukke), predvsem ob sočasni uporabi z dodatki za obdelavo lesa; **nosite masko za prah in pri delu uporabljajte napravo za odsesavanje prahu, kjer je le-to možno priključiti.**
- Upošteвайте nacionalne zahteve glede prahu za materiale, ki jih želite obdelovati.
- Te žage ne uporabljajte skupaj z žagino mizo
- Preden orodje kakor koli prilagajate ali zamenjate pribor, z orodja odstranite akumulator

NASTAVKI

- SKIL zagotavlja brezhibno delovanje orodja le z uporabo originalnega dodatnega pribora
- Če so namenjeni za les in njemu podobne materiale,

uporabljajte samo žagine liste, ki ustrezajo karakteristikam, navedenim v teh navodilih za uporabo, in ki so preizkušeni po EN 847-1 ter ustrezno označeni.

- Uporabljajte lahko dodatni pribor, katerega dovoljena hitrost je najmanj enaka največji hitrosti orodja
- **Uporabljajte samo žagine liste/rezalne kolute z najmanjšim premerom 115 mm, največjim premerom 120 mm in luknjo na vretenu 9,5 mm.**
- S tem orodjem nikoli ne uporabljajte brusilnih plošč
- Pazljivo ravnejte in shranjujte pribor
- Določite pravičen žagin list, ki se uporablja za material, ki ga je treba razrezati.

PRED UPORABO

- Izogibajte se poškodbam zaradi vijakov, žebeljev ali drugih elementov v obdelovancu; odstranite jih pred začetkom dela.
- Odstranite ovire nad in pod linijo reza že pred začetkom žaganja
- **Zavarujte obdelovanec** (obdelovanec stisnjen v prižemi ali prirežu je bolj varen kot v roki).
- **Za iskanje skritih električnih, plinskih in vodovodnih cevi uporabite primerne iskalne naprave (detektorje) ali za pomoč pokličite lokalno komunalno podjetje** (stik z električnimi vodniki lahko povzroči požar ali električni udar; poškodbe plinovoda lahko povzročijo eksplozijo, vdor v vodovodno omrežje pa materialno škodo ali električni udar).

MED UPORABO

- Med delom lahko nivo hrupa presega 85 dB(A); uporabljajte zaščito proti hrupu
- Nikoli ne uporabljajte orodja brez originalnega sistema zaščitnega varovala
- Ne poskušajte žagati zelo majhnih kosov
- Ne uporabljajte orodja za dela nad glavo
- V primeru zatikanja ali električne ali mehanske okvare takoj izklopite orodje in odstranite baterijo.

PO UPORABI

- Ko orodje postavite v stran, izklopite motor in pazite, da se vsi premikajoči se deli orodja popolnoma zaustavijo
- Po izključitvi krožne žage, nikoli ne zavirajte vrtenja žaginega lista z bočno silo

AKUMULATOR

- Priloženi akumulator je delno napolnjen (če želite zagotoviti polno zmogljivost akumulatorja, ga pred prvo uporabo popolnoma napolnite s polnilnikom za akumulator).
- S tem orodjem lahko uporabljate samo te akumulatorje in polnilnike
 - Akumulator SKIL: BR1*31****
 - Polnilnik SKIL: CR1*31****
- Ne uporabljajte poškodovanega akumulatorja, ampak ga zamenjajte
- Akumulatorja ne razstavljajte.
- Orodja/akumulatorja ne izpostavljajte dežju.
- Dovoljena temperatura okolice (orodje/polnilec/baterija):
 - pri polnjenju od 4 od 40 °C
 - pri delu od -20 od + 50 °C
 - pri skladiščenju od -20 do + 50 °C

POJASNILO OZNAK NA ORODJU/AKUMULATORJU

- ③ Pred uporabo preberite navodila za uporabo
- ④ Akumulatorji lahko pri izpostavljanju odprtemu ognju eksplodirajo, zato jih nikoli ne sežigajte.
- ⑤ Shranjujte orodje/polnilec/akumulator v prostoru, kjer temperatura ne bo presegla 50 °C.
- ⑥ Ne odstranjujte električnega orodja in akumulatorja

skupaj z gospodinjskimi odpadki.

UPORABA

- Polnjenje baterije
! Preberite varnostna opozorila in navodila, priložena polnilniku.
- Odstranjevanje/namesčanje akumulatorja ②
- Indikator stanja akumulatorja ⑦
 - Pritisnite gumb indikatorja stanja akumulatorja AB, da prikazate trenutno stanje akumulatorja ⑦a.
 - ! Ko po pritisku gumba AB ⑦b začne utripati najnižja stopnja napoljenosti baterije, je baterija prazna. Ko po pritisku gumba AB ⑦c začeta utripati 2 stopnji indikatorja baterije, se baterija ne nahaja v dovoljenem temperaturnem obsegu.**
- Lučka LED T ⑧
Lučka LED samodejno zasveti, ko se orodje zažene.
! Ko začne lučka LED utripati, je zaščita akumulatorja aktivirana (glejte spodaj).
- Zaščita akumulatorja
Orodje se nenadoma izklopi ali pa ga ni mogoče vklopiti v naslednjih primerih:
 - **previsoka obremenitev** --> odstranite obremenitev in zaženite znova;
 - **Temperatura baterije ni v dovoljenem razponu delovne temperature od -20 do +50 °C** --> 2 ravni indikatorja napoljenosti akumulatorja začnejo utripati, ko pritisnete gumb AB 7c; počakajte, da se akumulator vrne v dovoljeni razpon delovne temperature.
 - **Akumulator je skoraj prazen (zaščitite ga pred popolno izpraznitvijo)** --> indikator napoljenosti akumulatorja prikaže nizko raven napoljenosti akumulatorja ali utripajočo nizko raven napoljenosti akumulatorja ub, ko pritisnete gumb AB; napolnite akumulator.
 - ! Po samodejnem izklopu ne pritisnite stikala za vklop/izklop; akumulator se lahko poškoduje.**
- Namestitvev žaginega lista ②
! Z orodja odstranite akumulator.
 - Vzemite šestkotni ključ A iz skladišča B.
 - Pritisnite gumb za blokado vretena F in ga držite, medtem ko odstranjujete vijak rezila AA, tako da šestkotni ključ A vrtite v DESNO (= v isto smer, kot kaže puščica na žaginem listu).
 - ! Gumb za blokado vretena F pritisnite, ko je orodje popolnoma zaustavljeno.**
 - Sprostite gumb za blokado vretena F.
 - Odstranite prirobnico Z.
 - ! Prepričajte se, da so naležne površine prirobnic X popolnoma čiste in obrnjene proti rezilu.**
 - Odprite spodnje varovalo W z vzvodom S in ga držite, medtem ko namestite žagin list tako, da kažejo zobje lista in puščica, ki je natisnjena na njem, v isto smer kot puščica na zgornjem varovalu.
 - Sprostite spodnje varovalo W.
 - Namestite prirobnico Z.
 - Pritisnite gumb za blokado vretena F in ga držite, medtem z inbus ključem pritegnite vijak lista za 1/8 obrata več kot z roko (to zagotavlja zdrs lista, če le ta naleti na premočno oviro; tako se zmanjša preobremenitev motorja in povratni sunek žage).
 - Sprostite gumb za blokado vretena F.

- Nastavitev globine reza (0–41 mm) ⑨
 - Za optimalno kvaliteten rez naj list žage ne sega iz obdelovanca več kot 3 mm.
 - Sprostite gumb Q.
 - Dvignite/spustite nogo M, dokler na skali z indikatorjem P ne nastavite zelene globine rezanja.
 - Privijte gumb Q.
- Nastavitev kot reza (0–45°) ⑩
 - Sprostite gumb U
 - Nagibajte orodje, dokler na skali z indikatorjem ne nastavite zelenega kota rezanja V.
 - Privijte gumb U
 - ! Pri poševnem rezu globina reza ne ustreza označeni globini na skali.**
- Indikator linije reza L ⑪
 - Pri vodenju orodja po črti reza na obdelovancu.
 - Indikator linije reza uporabite pri ravnih rezih (0°) ali poševnih rezih (45°).
 - ! Širši del sani vodimo po podprtem delu obdelovanca.**
 - ! Širina reza je določena s širino zob žaginega lista in ne z debelino telesa rezila.**
 - ! Vedno najprej naredite poskusne reze, da preverite dejansko linijo reza.**
- Odsesavanje prahu ⑫
Pri uporabi sesalnika
 - Cev sesalnika priključite na adapter za sesalnik H.
 - ! Cev sesalnika ne sme nikoli ovirati spodnjega varovala ali postopka rezanja.**
 - ! Sesalnika ne uporabljajte za rezanje kovine.**
- Upravljanje orodja
 - Namestite akumulator.
 - Ročaj C vedno držite trdno.
 - Položite orodje s sprednjim delom podnožja na obdelovanec.
 - ! Zagotovite, da se zobje žaginega lista ne zatikajo v obdelovanec.**
 - Orodje vključite tako, da najprej pritisnete gumb E (= varnostno stikalo, ki ne sme biti zaklenjeno), nato pa povlecite sprožilec D.
 - ! Orodje naj doseže polno hitrost, preden rezilo zareže v obdelovanec.**
 - Spodnje varovalo W se samodejno odpre, ko z žaginim listom zarežete v obdelovanec (ročno odprite spodnje varovalo z vzvodom S samo za posebne reze, kot so potopni rezi).
 - ! Orodja ne uporabljajte s silo (pritisnite rahlo in neprekinjeno, da preprečite pregrevanje konic rezila).**
 - ! Med delom vedno držite orodje za mesta prijema.**
 - Po opravljenem rezu izklopite orodje, tako da sprostite sprožilec D.
 - ! Prepričajte se, da je žagin list popolnoma zaustavljen, preden orodje dvignete iz obdelovanca.**

UPORABNI NASVETI

- Vedno obrnite boljšo stran obdelovanca navzdol, da pri žaganju lesa in lesu podobnih materialov zagotovite čim manj razpok.
- Uspešnost žaganja in kakovost rezanja sta odvisna predvsem od stanja in števila zob žaginega lista.

- Uporabljajte samo ostre žagine liste, ki so primerni za rezani material. ⁽¹³⁾
 - Žagin list iz kaljenega jekla AC ⁽²⁾ uporabite za rezanje lesa, aluminija, plastike in vseh vrst lepljenega lesa.
 - Diamantni disk AD ⁽²⁾ uporabite za rezanje keramike in ploščic.
 - Rezila s karbidno konico Y ⁽²⁾ ostanejo ostra do 30-krat dlje kot običajna rezila.
- Stransko vodilo J ⁽¹⁴⁾
 - za izvedbo natančnih rezov vzdolž robu obdelovanca
 - Vstavite skozi reže na sprednjem delu podnožja.
 - Nastavitev stranskega vodila
 - Sprostite vijak K s šestkotnim ključem A.
 - Nastavite zeleno širino rezanja s pomočjo vzporedne vodilne lestvice (indikator linije rezanja L uporabite kot referenco O).
 - Zategnite vijak K.
- Potopno rezanje ⁽¹⁵⁾
 - Nastavite zeleno globino rezanja.
 - Orodje nagnite naprej z indikatorjem linije reza L, ki je poravnava z zeleno linijo reza, označeno na obdelovancu.
 - Odprite spodnje varovalo W z vzvodom S.
 - Tik preden žagin list približamo obdelovancu, vključite orodje in postopoma spustite zadnji del žage; pri tem nam naslonjen prednji del žage služi kot tečaj.
 - Postopoma pomikajte orodje navzdol in tudi naprej.
 - Takoj, ko rezilo zareže v material, sprostite vzvod S.

! Orodja nikoli ne vlecite vzvratno.
- Rezanje večjih plošč ⁽¹⁶⁾
 - Ploščo podprite blizu reza tako na tleh, mizi kot delovni mizi.

! Nastavite globino reza samo skozi ploščo, ne pa tudi skozi podporo.

 - Če stransko vodilo ne omogoča zelene širine reza, pritrdite ali pribijte raven kos lesa na obdelovanec kot vodilo in uporabite levo stran podnožja za vodenje ob tem vodilu 17.
- Za več informacij obiščite spletno stran www.skil.com

VZDRŽEVANJE/SERVISIRANJE

- Orodje ni namenjeno profesionalni uporabi.
- Orodje naj bo vedno čisto (še posebej prezračevalne odprtine N).
- **! Pred čiščenjem odstranite akumulator iz orodja.**
- Vedno vzdržujte čistočo območja okoli spodnjega varovala W 2 (prah in odrezke odstranite s prepihanjem s stisnjanim zrakom ali krtačo).
- Po uporabi takoj očistite žagin list (posebno od smol in lepil)
- Če bi kljub skrbnim postopoma izdelave in preizkušanja prišlo do izpada delovanja orodja, naj popravilo opravi servisna delavnica, pooblaščen za popravila električnih orodij SKIL.
 - Pošljite nerazstavljeno orodje skupaj s potrdilom o nakupu pri vašemu prodajalcu v najbližjo SKIL servisno delavnico (naslovi, kot tudi spisek rezervnih delov se nahaja na www.skil.com).
- Zavedajte se, da garancija ne vključuje poškodb zaradi preobremenitve orodja ali nepravilne rabe (glede SKILovih garancijskih pogojev obiščite www.skil.com ali povprašajte prodajalca).

OKOLJE

- Električnega orodja, baterije, pribora in embalaže ne odstranjujte skupaj z gospodinjstvi odpadki (samo za države EU).
 - V skladu z Evropsko direktivo 2012/19/EG o odpadni električni in elektronski opremi in z njenim izvajanjem v nacionalni zakonodaji je treba električna orodja ob koncu njihove življenjske dobe ločeno zbirati in jih predati v postopek okolju prijaznega recikliranja.
 - Ko bo potrebno odstranjevanje, vas bo na to spomnil simbol ⁽⁶⁾.

! Preden zavržete akumulator, prilepite kontakte z debelejšim izolirnim trakom, da preprečite kratek stik.

HRUP/VIBRIRANJE

- Raven zvočnega tlaka tega orodja, ki je bila izmerjena v skladu s standardom EN62841, znaša 96 dB(A), raven zvočne moči je 107 dB(A) (odstopanje K = 3 dB) in vibracij * (triosna vektorska vsota; odstopanje K = 1,5 m/s²).
 - * rezanje lesa < 2,5 m/s²
 - * rezanje kovin < 2,5 m/s²
- Raven oddajanja vibracij je bila izmerjena v skladu s standardiziranimi testi, navedenimi v EN 62841; uporabiti jo je mogoče za primerjavo različnih orodij med seboj in za predhodno primerjavo izpostavljenosti vibracijam pri uporabi orodja za namene, ki so omenjeni
 - Uporaba orodja za drugačne namene ali uporaba skupaj z drugimi, slabo vzdrževanimi nastavki lahko znatno poveča raven izpostavljenosti.
 - Čas, ko je orodje izklopljeno ali ko je vklopljeno, vendar z njim ne delamo, lahko znatno zmanjša raven izpostavljenosti.

! Pred posledicami vibracij se zaščitite z vzdrževanjem orodja in pripadajočih nastavkov, ter tako, da so vaše roke tople, vaši delovni vzorci pa organizirani.

EST

Harjadeta kompaktne
universaalsaag

3540

SISSEJUHATUS

- See tööriist on ette nähtud puidu, puitlaastplaadi, vineeri, alumiiniumi, plaatide, kivi, plasti ja kergete ehitusmaterjalide piki- ja põikisuunaliseks saagimiseks nii sirge lõikega kui ka kuni 45-kraadise nurga all.
- Tööriist pole mõeldud professionaalseks kasutamiseks.
- Lugege käesolev kasutusjuhend hoolikalt läbi ja hoidke alles. ⁽³⁾

TEHNIISED ANDMED ⁽¹⁾

TÖÖRIISTA OSAD ⁽²⁾

- A Kuuskantvöti
- B Kuuskantvõtme hoidik

- C Käepide
- D Päästik
- E Ohutuslüli
- F Spindliukustusnupp
- G Tolmueraldusport
- H Tolmuimeja adapter
- J Paralleeljuhk
- K Paralleeljuhiku reguleerimiskruvi
- L Juhtkiil
- M Alusplaat
- N Ventilatsioonivad
- P Lõikesügavuse osuti
- Q Nupp saagimissügavuse reguleerimiseks
- R Ülemine kaitse
- S Alumise kettakaitse avamishoob
- T LED tuli
- U Lõikenurga reguleerimisnupp
- V Lõikenurga osuti
- W Alumine kettakaitse
- X Klemmpind
- Y Kõvasulamist saeleht
- Z Äärk
- AA Blade Bolt
- AB Aku laetustaseme märgutule nupp
- AC Kõvendatud terasest saeleht
- AD Teemantketas

OHUTUS

ÜLDISED ELEKTRITÖÖRIISTADE HOIATUSED

⚠ HOIATUS! Lugege läbi kõik elektritööriistaga kaasas olevad hoiatused, juhised, joonised ja andmed. Alltoodud juhiste eiramine võib põhjustada elektrilööki, tulekahju ja/või tõsiseid vigastusi.

Säilitage hoiatused ja juhised hilisemaks kasutuseks.

Hoiatustes kasutatud termin „elektritööriist“ viitab voolu jõul (juhtmega) töötavale elektrilisele tööriistale või aku jõul töötavale (juhtmata) elektrilisele tööriistale.

1) TÖÖPIIRKONNA OHUTUS

- a) **Tööpiirkond peab olema puhjas ja hästi valgustatud.** Täis kuhjatud või valgustamata tööpiirkonnad võivad põhjustada õnnetusi.
- b) **Ärge kasutage elektritööriistu plahvatusohtlike keskkondades, näiteks kergesti süttivate vedelike, gaaside või tolmu läheduses.** Elektritööriistad tekitavad sädemeid, mis võivad süüdata tolmu või aurasid.
- c) **Elektritööriistadega töötamisel hoidke lapsed ja kõrvalised isikud eemal.** Tähelepanu hajumisel võite kaotada kontrolli seadme üle.

2) ELEKTRILINE OHUTUS

- a) **Elektritööriistad tuleb ühendada sobivasse pistikupessa. Ärge kunagi modifitseerige pistikut mitte mingil viisil. Ärge kasutage maandatud elektritööriistadega koos pistikuadaptereid.** Modifitseerimata pistikud ja sobivad pistikupesad vähendavad elektrilöögi ohtu.
- b) **Vältige kehalist kontakti maandatud pindadega (nt torud, radiaatorid, pliidid, külmikud).** Kui teie keha on

maandatud, suureneb elektrilöögi oht.

- c) **Ärge jätke elektritööriistu vihma kätte ega niiskettesse tingimustesse.** Vee sattumine elektritööriista sisse suurendab elektrilöögi ohtu.
- d) **Ärge rikkuge juhet. Ärge kasutage juhet elektritööriista kandmiseks või tõmbamiseks ja ärge tõmmake juhtmest, kui soovite pistikut pistikupesast eemaldada. Vältige juhtme kokkupuudet kuumade esemete, õli, teravate servade või liikuvate osadega.** Kahjustatud või puntras juhe suurendab elektrilöögi ohtu.
- e) **Elektritööriistaga välitingimustes töötamiseks kasutage välitingimustesse sobivat pikendusjuhet.** Välitingimustesse sobiva juhtme kasutamine vähendab elektrilöögi ohtu.
- f) **Kui peate kindlasti tööriista märjas kohas kasutama, kasutage seadet, mille toite tagab jääkvooluseade (RCD).** RCD kasutamine vähendab elektrilöögi ohtu.
- 3) **ISIKLIK OHUTUS**
 - a) **Olge tähelepanelik, töötage hoolikalt ja rakendage tervet mõistust. Ärge kasutage elektritööriista, kui olete väsinud, või rohtude, alkoholi või narkootikumide mõju all.** Vaid hetkeline tähelepanematus elektritööriista kasutamisel võib põhjustada raskeid kehavigastusi.
 - b) **Kasutage isikukaitsevahendeid. Kandke alati silmakaitsevahendeid.** Töötingimustele vastava kaitsevarustuse (nt tolmu maski, mittelibisevate turvakingade, kiivri või kuulmiskaitsevahendite) kasutamine vähendab kehavigastuste ohtu.
 - c) **Ennetage tööriista tahtmatut käivitamist. Enne tööriista vooluvõrgu ja/või akuplokiga ühendamist ning enne tööriista kandmist või üles tõstmist veenduge, et lüliti on mitteaktiivses asendis.** Elektritööriistade kandmine sõrme lülilil hoides või akuploki ühendamine, kui lüliti on sisse lülitatud, põhjustab õnnetusi.
 - d) **Enne tööriista sisselülitamist eemaldage sellelt kõik reguleerimis- ja mutrivõtmed.** Elektritööriista pöörleva osa külge unustatud võtmed vms tööriistad võivad põhjustada kehavigastusi.
 - e) **Ärge küünitage liiga kaugale. Töötage ainult kindlal pinnal ja kohtades, kus pole ohtu tasakaalu kaotada.** Nii säilitate ootamatutes olukordades parema kontrolli elektritööriista üle.
 - f) **Vältige oma juuste ja riiete kokkupuudet liikuvate osadega.** Avarad rõivad, ehted ja pikad juuksed võivad liikuvate osade vahele kinni jääda.
 - g) **Kui tootega on kaasas vahendid tolmuärastus- ja kogumisseadmete ühendamiseks, siis veenduge, et need seadmed on korralikult ühendatud ja asjakohases kasutuses.** Tolmukogumisseadmete kasutamine vähendab tolmu seotud ohtusid.
 - h) **Kui seade on teile sagedase kasutamise tulemusel harjumuspäraseks saanud, ärge laske ennast lõdvaks ega ignoreerige tööriista kasutamise ohutusreegleid.** Hooletluse tõttu võite saada tõsiseid vigastusi ka sekundi murdosa jooksul.
- 4) **ELEKTRITÖÖRIISTA KASUTAMINE JA HOOLDUS**
 - a) **Ärge rakendage elektritööriista kasutamisel jõudu. Kasutage konkreetseks tööks sobivat elektritööriista.** Sobiva elektritööriista sobival kiirusel töötades saate töö valmis kiiresti ja ohutult.

- b) Ärge kasutage elektritööriista, mida ei saa lülitist sisse ega välja lülitada. Elektritööriistad, mille lüliti ei tööta, on ohtlikud ja tuleb parandada.
- c) Eemaldage pistik vooluvõrgust ja/või akuplokk seadme küljest, kui see on eemaldatav, enne seadme kohandamist, tarvikute vahetamist või elektritööriista hoiustamist. Selliste ohutusmeetmete rakendamisel vähendate elektritööriista tahtmatu käivitamise võimalust.
- d) Elektritööriistu, mida te hetkel ei kasuta, hoidke lastele kättesaamatus kohas ning ärge lubage nendega töötada isikutele, kes pole tööriistade tööpõhimõtete või käesoleva juhendiga tutvunud. Koolitamata isikute käes on elektritööriistad ohtlikud.
- e) Hooldage nii elektritööriistu kui tarvikuid. Kontrollige, et liikuvad komponendid on korrektselt joondatud ja kinnitatud ning ükski osa ei ole katki, ning jälgige ka muid aspekte, mis võiksid elektritööriista tööd mõjutada. Kahjustatud elektritööriist tuleb enne kasutamist parandada. Halvasti hooldatud elektritööriistad põhjustavad palju õnnetusi.
- f) Hoidke oma lõiketööriistad teravad ja puhtad. Korralikult hooldatud ja teravate servadega lõikevahendid ei kiili nii kergesti kinni ja on lihtsamini kontrollitavad.
- g) Kasutage elektritööriista, selle tarvikuid, tööriistaosi jm vastavalt käesolevale juhendile, võttes arvesse töötõingimusi ja teostatavat tööd. Elektritööriista mittesihipärane kasutamine võib põhjustada ohtlikke olukordi.
- h) Hoidke käepidemed ja haardepinnad kuivad ja puhtad ning vältige neile õli ja rasva sattumist. Libedad käepidemed ja haardepinnad takistavad seadme ohutut kasutamist ja käsitsemist ootamatutes olukordades.
- 5) AKUSEADMETE KASUTAMINE JA HOOLDUS
- a) Kasutage laadimiseks ainult tootja poolt ette nähtud laadijaid. Akulaadija, mis sobib teatud tüüpi akuplokkide, võib põhjustada tulekahju ohtu, kui seda kasutatakse mõne teise akuplokkiga.
- b) Kasutage elektritööriistu ainult nende jaoks ette nähtud akuplokkidega. Mõne muu akuploki kasutamine võib põhjustada vigastuste ja tulekahju ohtu.
- c) Kui akuploki ei kasutata, hoidke seda eemal muudest metallsemetest nagu kirjaklambrid, mündid, võtmed, naelad, kruvid ja muud väikesed metallsemed, mis võivad klemmide vahel ühenduse luua. Akuklemmide lühiühendus võib põhjustada põletushaavu või tulekahju.
- d) Valedes tingimustes kasutamisel võib akust vedelikku välja tulla; vältige kokkupuudet. Kokkupuute korral loputada veega. Kui vedelik satub silma, pöörduge lisaks ka arsti poole. Akust erituv vedelik võib põhjustada ärritust või põletusi.
- e) Ärge kasutage kahjustunud või modifitseeritud akuplokki või tööriista. Kahjustunud või modifitseeritud akud võivad toimida ettearvamatult, mille tagajärjeks võivad olla tulekahju, plahvatus või vigastuste oht.
- f) Vältige akuploki või tööriista kokkupuudet tule või liiga kõrge temperatuuriga. Kokkupuude lahtise tule või temperatuuriga üle 130 °C võib põhjustada plahvatuse.
- g) Järgige kõiki laadimisjuhiseid ja ärge laadige

akuplokki või tööriista vale temperatuuri juures (vt juhiseid). Valesti või valel temperatuuril laadimine võib kahjustada akut ja suurendada tulekahju ohtu.

6) HOOLDUS

- a) Laske oma akutööriista hooldada kvalifitseeritud remonditehnikul, kes kasutab ainult identseid originaalvaruosi. See tagab elektritööriista ohutuse.
- b) Ärge kunagi hooldage kahjustunud akuplokke. Akuplokkide hooldust võib teostada ainult tootja või volitatud teeninduskeskus.

KETASSAE KASUTAMISE OHUTUSESKIRJAD

Lõikamisprotseduurid

- a) OHT! Hoidke käed lõikekohast ja terast eemal. Kui mõlemad käed hoiavad saagi, ei saa tera neid lõigata.
- b) Ärge pange kätt tooriku alla. Kaitsepiire ei kaitse teid tera eest töödeldava detaili alumisel poolel.
- c) Reguleerige lõikesügavust vastavalt tooriku paksusele. Töödeldava detaili alt võib paista vähem kui üks tera hammas.
- d) Ärge kunagi hoidke toorikut lõikamise ajal käes ega jala peal/kohal. Kinnitage toorik stabiilsele alusele. Keha kokkupuute, tera kinnikiilumise ja seadme üle kontrolli kaotamise minimeerimiseks on oluline detail korralikult toestada.
- e) Hoidke elektritööriistu ainult isoleeritud haardepindadest, kui teostate töid, mille käigus lõiketera võib puutuda kokku peidetud juhtmetega. Voolu all olevate juhtmetega kokku puutuvad lõiketerad võivad tööriista metallosad voolu alla viia ning kasutaja võib saada elektrilöögi.
- f) Lõhestamisel kasutage alati kelku või sirget servajuhikut. See suurendab lõike täpsust ja vähendab tera kinnikiilumise tõenäosust.
- g) Kasutage alati õige suuruse ja kujuga (rombilise või ümara) teljeavaga lõiketerasid. Sae paigaldusriistvaraga mitte kokku sobivad lõiketerad töötavad ebahülaselt ja võivad põhjustada seadme üle kontrolli kaotamise.
- h) Ärge kunagi kasutage teral kahjustatud või valesid seibe või polti. Lõiketera seibid ja polt on loodud spetsiaalselt teise sae jaoks, et tagada selle optimaalne jõudlus ja ohutu kasutamine.

Tagasilöögi põhjused ja asjakohased hoiatused

- Tagasilöök on äkiline reaktsioon kokkusuuritud, kinnikiilunud või joondusest väljas saeterale, mille tagajärjel tõuseb kontrollimatu saag toorikust üles ja paiskub kasutaja suunas.
 - Kui saelõige surub lõiketera kokku või lõiketera saelõikesse kinni kiilub, jääb tera seisma ja mootori tõuge lükkab seadet kiiresti kasutaja suunas.
 - Kui lõiketera paindub või on lõiketera joondusest väljas, võivad tera tagumise serva hambad puidu pealmisesse pinda tungida, põhjustades tera saelõikest väljaliikumise ning kasutaja poole paiskumise.
- Tagasilöök on sae väärkasutuse ja/või ebakorreksete tööviiside või -tingimuste tagajärg ning seda saab vältida alltoodud asjakohaste ettevaatusabinõude rakendamiseega.

- a) Hoidke saagi tugevasti ja viige oma käed asendisse, milles saate tagasilöögjõududele vastu astuda. Asetage oma keha terast ühele või teisele poole, kuid mitte teraga ühele jonele. Tagasilöögi tõttu võib saag tagasi hüpata, kuid korralike ettevaatusabinõude korral saab operaator tagasilöögjõudu kontrollida.
- b) Kui lõiketera kiilub kinni või lõikamine katkeb mõnel muul põhjusel, siis vabastage päästik ja hoidke saagi liikumatult tooriku sees, kuni lõiketera täielikult seisma jääb. Ärge kunagi püüdke eemaldada saagi tooriku seest või tõmmata saagi tahapoole siis, kui lõiketera veel liigub või kui võib tekkida tagasilööök. Lõiketera kinnikiilumise põhjused tuleb välja selgitada ja elimineerida.
- c) Sae taaskäivitamisel toorikus seadke saetera saelõike keskele nii, et saetera hambad ei ole tooriku sees kinni. Kui saetera kinni kiilub, võib see sae taaskäivitamisel toorikus ülespoole liikuda või tagasilöögi anda.
- d) Toetage suuri paneele, et minimeerida tera kokkusurumise ja tagasilöögi ohtu. Suured paneelid kipuvad oma raskuse all painduma. Paneel peab olema toetatud mõlemalt poolt, lõikejoone lähedalt ja paneeli otsa poolt.
- e) Ärge kasutage nürisid või kahjustatud lõiketerasid. Teritamata ja valesti seadistatud lõiketerad tekitavad kitsa saelõike; see omakorda põhjustab liigset hõõrdumist, lõiketera kinnikiilumist ja tagasilööki.
- f) Tera sügavust ja kaldenurka reguleerivad lukustushoovad peavad enne lõike tegemist kindlalt kinni olema. Tera seadistuse muutumine lõike ajal võib põhjustada tera kinnikiilumist ja tagasilööki.
- g) Olemasolevate seinte või teiste pimealade lõikamisel olge eriti ettevaatlik. Väljaulatuv tera võib lõigata detailidesse, mis võivad põhjustada tagasilööki.

Alumine kaitsefunktsioon

- a) Enne iga kasutuskorda kontrollige, kas alumine kaitsekate sulgub korralikult. Ärge kasutage saagi, kui alumine kaitse ei liigu vabalt ja ei sulgu koheselt. Ärge kunagi kinnitage ega siduge alumist kaitset avatud asendisse. Kui saag kogemata maha kukub, võib alumine kaitse painduda. Tõstke alumine kaitsepiire kokkupandava käepideme abil üles ja veenduge, et see liigub vabalt ja ei puutu vastu tera ega muid seadme osi, mistahes nurga all või sügavuses te ka ei lõikaks.
- b) Kontrollige alumise kaitse vedru funktsioneerimist. Kui kaitse ja vedru ei tööta korralikult, tuleb need enne kasutamist hooldada. Alumise kaitsepiirde aeglane funktsioneerimine võib tuleneda kahjustunud osadest, kleepuvate ainete või prahi kogunemisest.
- c) Alumist kaitsepiiret võib käsitsi tagasi tõmmata ainult eriliste lõigete puhul nagu „sukelduslõiked“ ja „kaldlõiked“. Tõstke alumine kaitse sissetõmmatava käepideme abil üles ja laske alumine kaitse alla kohe, kui tera toorikusse siseneb. Kõigi teiste lõikamiste puhul peaks alumine kaitsepiire automaatselt töötama.
- d) Enne sae pingile või põrandale asetamist kontrollige alati, et alumine kaitsepiire kataks lõiketera. Kaitsmata, vabakäigul liikuv lõiketera liigutab saagi tahapoole, lõigates kõike, mis selle teele jääb. Jälgige

ka aega, mille jooksul lõiketera pärast lülitit vabastamist peatub.

TÄIENDAVAD OHUTUSNÕUDED

ÜLDIST

- Tööriista kasutaja peab olema vähemalt 16-aastane.
- Tööriist ei sobi märgloigete tegemiseks
- **Asbesti sisaldava materjali töötlemine on keelatud (asbesti peetakse kantserogeenseks).**
- Pliid sisaldavat värvi, mõningaid puiduliike, mineraale ja metalli sisaldavad materjalid eraldavad tolm, mis võib olla kahjulik (kokkupuude tolmuga või selle sissehingamine võib seadme kasutajal või läheduses viibivatel inimestel põhjustada allergiilisi reaktsioone ja/või hingamisteede haigusi); **kandke tolmumaski ja vajaduse korral töötaage külgeühendatava tolmueraldusseadmega.**
- Teatud tüüpi tolm on klassifitseeritud kantserogeensena (nt tammest ja pöögist eralduv tolm), eriti koos puidu niiskuse reguleerimiseks kasutatavate lisanditega; **kandke tolmumaski ja vajaduse korral töötaage külgeühendatava tolmueraldusseadmega.**
- Erinevate materjalide töötlemisel tekkiva tolmuga käitlemisel tuleb järgida kehtivaid nõudeid.
- Ärge kasutage seda saagi koos saelauaga
- Enne tööriista reguleerimist või tarvikute vahetust võtke aku välja

LISATARVIKUD

- SKIL tagab seadme häireteta töö üksnes originaaltarvikute kasutamisel
- Kasutage üksnes saekettaid, mis vastavad käesolevas kasutusjuhendis esitatud andmetele ning mis on kontrollitud ja tähistatud vastavalt standardile EN 847-1, kui need on mõeldud kasutamiseks puidu ja puidusarnaste materjalidega.
- Kasutage vaid neid tarvikuid, mille lubatud pöörte arv on vähemalt sama suur nagu maksimaalsed tühikäigupöörded
- **Kasutage ainult vähemalt 115 mm ja maksimaalselt 120 mm läbimõõduga saetera/lõikeketast spindliavaga 9,5 mm**
- Ärge kunagi kasutage selles tööriistas lihvketaid
- Käsitsege ja hoidke tarvikuid ettevaatlikult
- Määrake lõigatava materjali jaoks õige saetera.

ENNE KASUTAMIST

- Vältige töödeldavas esemes olevatest kruvidest, naeltest vms põhjustatud kahjustusi; eemaldage need enne töö alustamist.
- Enne saagimise alustamist eemaldage kõik nii töödeldava materjali peal- kui allpool lõikejoonel asuvad takistused
- **Kinnitage toorik** (fiksaatoriga kinnitatud või kruustangide vahele pandud toorik püsib kindlamini paigal kui lihtsalt käega hoides).
- **Varjatud paiknevate edastusliinide avastamiseks kasutage sobivaid detektoreid või pöörduge kohaliku elektri-, gaasi- või vee-ettevõtte poole** (kokkupuude elektrijuhtmetega võib põhjustada tulekahju- ja elektrilöögiohu; gaasitorustiku vigastamisel võib tekkida plahvatusoht; veetorustiku vigastamisega kaasneb materiaalne kahju või elektrilöögioht)

KASUTAMISE AJAL

- Töötamise ajal võib müratase ületada 85 dB(A); kandke kuulmiskaitsevahendeid

- Ärge kunagi kasutage tööriista ilma originaalkaitseesadisteta
- Ärge püüdke saagida väga väikeseid toorikuid
- Ärge töötaga tööriistaga, hoides seda pea kohal
- Seadme takerdumise, elektrilise või mehhaanilise häire korral lülitage seade viivitamata välja ja eemaldage aku.

PÄRAST KASUTAMIST

- Enne tööriista juurest lahkumist lülitage see välja ning oodake, kuni selle liikuvad osad on täielikult seiskunud
- Pärast ketassae väljalülitamist ärge kunagi peatage saeketta pöörlemist külgsurvega

AKUD

- Kaasasolev aku on osaliselt laetud (aku täisvõimsuse tagamiseks laadige aku enne elektritööriista esmakordset kasutamist akulaadijas korralikult täis).
- Kasutage selle tööriistaga ainult järgmisi akusid ja laadijaid.
 - SKILi aku: BR1*31****
 - SKILi laadur: CR1*31****
- Ärge kasutage kahjustatud akusid, vaid vahetage need välja
- Ärge võtke akut lahti
- Ärge jätke tööriista/akut vihma kätte.
- Ümbritseva keskkonna lubatud temperatuur (tööriista/laadijat/akut):
 - laadimisel 4 kuni 40 °C;
 - töötamisel -20 kuni +50 °C;
 - hoiustamisel -20 kuni +50 °C.

TÖÖRIISTA/AKUL OLEVATE SÜMBOLITE SELGITUS

- Enne kasutamist tutvuge kasutusjuhendiga.
- Tulle visatud akud plahvatavad, seepärast ei tohi akut mitte mingil juhul põletada.
- Hoidke tööriista/laadijat/akut kohas, kus temperatuur ei ületa 50 °C.
- Ärge visake kasutuskoõlbmatuks muutunud elektrilisi tööriistu ja akusid ära koos olmejäätmetega.

KASUTAMINE

- Aku laadimine
 - ! Lugege laadijaga kaasasolevaid ohutusohiatusi ja juhiseid.
- Aku eemaldamine/paigaldamine ②
- Aku laetusastme indikaator ⑦
 - vajutage aku laetusastme indikaatori nuppu AB, et näha aku laetusastet ⑦a antud hetkel
 - ! Kui aku indikaatori kõige madalama astme tuli hakkab pärast nupule AB ⑦ b vajutamist vilkuma, on aku tühi
 - ! Kui aku indikaatori kahe astme tuled hakkavad pärast nupule AB ⑦ c vajutamist vilkuma, ei ole aku lubatud töötemperatuuri vahemikus
- LED-märgutuli T ⑧
 - LED-tuli süttib automaatselt, tööriist käivitub
 - ! Kui LED-märgutuli hakkab vilkuma, on aku kaitse rakendatud (vt allpool)
- Aku kaitse
 - Tööriist lülitatakse järsku välja või selle sisselülitamine ei ole võimalik, kui
 - koormus on liiga suur --> eemaldage koormus ja taaskäivitage;
 - Aku temperatuur ei ole lubatud töötemperatuuri vahemikus -20 kuni +50 °C --> aku laetusastme indikaatori kahe astme tuled hakkavad pärast

- nupule AB 7c vajutamist vilkuma; oodake, kuni aku temperatuur on taas lubatud töötemperatuuri vahemikus
- **Aku on peaaegu tühi (et kaitsta täieliku tühjenemise eest)** --> madal akutase või vilkuv madal akutase ub kuvatakse aku laetusastme indikaatoril, vajutades nupule AB; laadige akut
- ! **Ärge vajutage enam lülile (sisse/välja), kui tööriist on end automaatselt välja lülitanud, sest see võib akut kahjustada.**
- Saetera paigaldamine ②
 - ! ! **eemaldage tööriistalt aku**
 - Võtke kuuskantvõti A hoidikust B välja
 - Vajutage vööli lukustusnuppu F ja hoidke seda all, kui te eemaldate saelehe poldi AA, keerates kuuskantvõtit A PÄRIPÄEVA (= samas suunas nagu näitab saelehele trükitud nool)
 - ! ! **Spindlilukustusnupule F tohib vajutada ainult siis, kui seade ei tööta**
 - Vabastage spindlilukustusnupp F
 - Eemaldage flanš Z
 - ! ! **Jälgige, et flanšide klemmipinnad X oleksid täiesti puhtad ja suunatud vastu saeketast**
 - Avage alumine kettakaitse W hoova S abil ja hoidke seda avatuna; samal ajal paigutage saeketas, jälgides, et saeketta hammaste ja kettal oleva noole suund ühtiksid alumisel kettakaitisel oleva noole suunaga
 - Vabastage alumine kettakaitse W
 - Paigaldage flanš Z
 - Vajutage spindlilukustusnupule F ja hoidke seda all, samal ajal pingutage ketta polti kuuskantvõtmega 1/8 pöörde ulatuses (tagab saeketta libisemise kokkupuudet suure takistusega, vähendades mootori ülekoormust ja sae tagasilööki)
 - Vabastage spindlilukustusnupp F
- Lõikesügavuse reguleerimine (0–41 mm) ⑨
 - optimaalse lõikevaliteedi tagamiseks ei tohiks saeketas ulatuda tooriku alt välja rohkem kui 3 mm
 - Lõdvendage nuppu Q
 - Tõstke/langetage alusplaat M, kuni skaalale (osuti P) ilmub soovitud lõikesügavus
 - Pingutage nuppu Q
- Lõikenurga reguleerimine (0–45°) ⑩
 - Lõdvendage nuppu U
 - Kallutage tööriista, kuni skaalale (osuti V) ilmub soovitud lõikenurk
 - Pingutage nuppu U
 - ! ! **Diagonaallõike puhul ei vasta lõikesügavuse skaalal näidatud väärtus tegelikule lõikesügavusele**
- Juhtkiil L ⑪
 - tööriista täpseks juhtimiseks mõõda töödeldavale esemele märgitud lõikejoont
 - 0° all tehtava otselõike või 45° all tehtava diagonaallõike puhul kasutage vastavaid näitjooni
 - ! **Suurem osa alusplaadist peaks asuma töödeldava eseme toetatud osal**
 - ! **Lõikelaiuse määrab saehammaste laius, aga mitte saeketta paksus**
 - ! **Tehke alati kõigepealt proovilõige, et kontrollida tegelikku lõikejoont**
- Tolmu eemaldamine ⑫
 - Tolmuimeja kasutamisel

- Ühendage tolmuimeja voolik tolmuimeja adapteriga H

! Jälgige, et tolmuimeja voolik ei tõkestaks kunagi alumise kettakaitse funktsioneerimist ega takistaks saagimistööd

! Ärge kasutage tolmuimeajat metalli lõikamisel.

- Seadme kasutamine
 - patarei paigaldamine
 - hoidke käepidet C alati kindlalt kinni
 - asetage tööriist alusplaadi esiservaga tasaselt toorikule
- ! Veenduge, et saeketta hambad ei ole toorikusse haakunud**
- Lülitage tööriist sisse, vajutades kõigepealt nupule E (= turvalüliti, mida pole võimalik lukustada) ja siis vajutage sisse lüliti D

! Enne saeketta viimist töödeldavasse materjali peab saag saavutama täiskiruse

- Alumine kettakaitse W avaneb automaatselt, kui saeketas viiakse töödeldavasse materjali (avage alumine kettakaitse käsitsi ainult eriliste lõigete nagu „uputuslõigete“ korral; selleks kasutage hooba S)

! Ärge koormake tööriista üle (jälgige, et surve oleks kerge ja pidev, et vältida lõiketera otste ülekuumenemist)

! Töötamise ajal hoidke tööriista kinni haardepinnast (haardepindadest)

- Pärast lõike lõpetamist lülitage tööriist välja, vabastades lüliti D

! Enne tööriista eemaldamist toorikust veenduge, et tera on täielikult seiskunud.

TÖÖJUHISED

- Puidu ja puidulaadsete materjalide saagimisel pöörake alati töödeldava detaili parem külg allapoole, et tagada minimaalne pindude teke.
- Saagimise tulemuslikkuse ja lõikekvaliteet sõltuvad peamiselt saetera seisukorrast ja hammaste arvust.
- Kasutage ainult teravaid saeterasid, mis sobivad lõigatava materjali jaoks ⁽¹³⁾
- Kasutage kõvendatud terasest saetera AC 2 puidu, alumiiniumi, plasti ja igat sorti lamineeritud puidu lõikamiseks
- Kasutage teemantketast AD 2 keraamika ja plaatide lõikamiseks
- Kõvasulam-saeketaste Y 2 kasutusiga on võrreldes tavaliste saeketastega kuni 30 korda pikem
- Paralleeljuhik J ⁽¹⁴⁾
 - täpsete lõigete tegemiseks piki tooriku äärt
 - sisestage läbi jala esiosas olevate avade
 - Paralleeljuhiku reguleerimine
 - keerake kruvi K lahti, kasutades kuuskantvõtit A
 - Reguleerige paralleeljuhiku skaala abil soovitud lõikelaiusele (kasutage 0-punkti tähistamiseks juhtkiilu L)
 - Pingutage kruvi K
- Sukelduslõikamine ⁽¹⁵⁾
 - määra ke kindlaks soovitud lõikesügavus
 - Kallutage tööriista ettepoole, nii et juhtkiil L oleks töödeldavale esemele märgitud lõikejoonega kohakuti
 - Avage alumine kettakaitse W hoova S abil
 - veidi enne saeketta sisenemist materjali lülitage tööriist sisse ning langetage aeglaselt tööriista tagumist osa, kasutades toetuspunktina alusplaadi esiserva
 - langetage tööriista vähehaaval ja lükake samal ajal

ettepoole

- Niipea kui saeketas siseneb materjali, vabastage hoob S

! Ärge kunagi tõmmake tööriista tagasisuunas

- Suurte plaatide lõikamine ⁽¹⁶⁾
 - toetage plaat lõikejoone lähedalt pörandale, lauale või tööpingile
- ! Reguleerige lõikesügavus selliselt, et te saete läbi plaadi, kuid ei kahjusta tugesid**
- Kui paralleeljuhikuga ei ole võimalik soovitud laius saagida, kinnitage toorikule (pitskruidude või naelte abil) sae juhtimist hõlbustav sirge puuliist ning juhtige saagi alusplaadi vasaku äärega mööda seda juhikut ⁽¹⁷⁾
- Lisateavet lugege aadressilt www.skil.com

HOOLDUS/TEENINDUS

- Tööriist pole mõeldud professionaalseks kasutamiseks.
- Hoidke tööriist alati puhtana (eriti ventilatsioonivahel N) **! enne puhastamist eemaldage tööriistast aku**
- Hoidke alati alumise kettakaitse ümbrus W ⁽²⁾ puhtana (eemaldage tolm ja puru suruhooga puhudes või harjaga)
- Puhastage saeketas kohe pärast kasutamist (eelkõige vaigu- ja liimijääkidest)
- Tööriist on hoolikalt valmistatud ja testitud. Kui tööriist sellest hoolimata rikki läheb, tuleb see lasta parandada SKILi elektriliste käsitööriistade volitatud remonditöökojas.
 - toimetage lahtimonteerimata tööriist koos ostukviitungiga edasimüüjale või lähimasse SKILi lepingulisse töökotta (aadressid ja tööriista varuosade joonise leiате aadressil www.skil.com)
- Arvestage sellega, et garantii ei hõlma seadme ülekoormamisest või ebaõigest käsitsemisest tulenevaid kahjustusi (teavet SKILi garantiitingimuste kohta vaadake veebilehelt www.skil.com või küsige kohalikult müügiesindajalt)

KESKKOND

- Ärge visake kasutuslõhmatuks muutunud elektrilisi tööriistu, akusid, lisatarvikuid ja pakendeid ära koos olmejäätmetega (üksnes ELi liikmesriikidele).
 - vastavalt Euroopa Parlamendi ja nõukogu direktiivile 2012/19/EÜ elektri- ja elektroonikaseadmete jäätmete kohta ning direktiivi nõuete kohaldamisele liikmesriikides tuleb kasutuslõhmatuks muutunud elektrilised tööriistad koguda eraldi ja keskkonnasäästlikult korduvkasutada või ringlusse võtta.
 - Kõrvaldamisvajaduse tekkimisel meenutab seda teile sümbol ⁽⁶⁾.
- ! Enne aku kasutusest kõrvaldamist katke selle klemmid tugeva teibiga, et vältida lühise teket.**

MÜRA/VIBRATSIOON

- Standardi EN 62841 kohaselt mõõdetud tööriista helirõhu tase on 96 dB(A) ja helivõimsuse tase on 107 db(A) (määramatus K = 3 dB) ning vibratsioon *(triaksaalvektorite summa; määramatus K = 1,5 m/s²)
 - * Puidu saagimisel < 2,5 m/s²
 - * Lehtmaterjali lõikamisel < 2,5 m/s²
- Tekkiva vibratsiooni tase on mõõdetud vastavalt standardis EN 62841 kirjeldatud standarditud testile;

se da võib kasutada tōōriistade vōrdlemiseks ja tōōriista kasutamisel ettenāhtud tōōdeks esineva vibratsiooni esialgseks hindamiseks

- Tōōriista kasutamisel muudeks rakendusteks vōi teiste / halvasti hooldatud tarvikute kasutamisel vōib vibratsioon mārķimisivāārselt suureneda.
- Ajal, kui tōōriist on vāļjalūlitatud vōi on kūll sisselūlitatud, kuid tegelikult seda ei kasutata, vōib vibratsioon mārķimisivāārselt vāheneda.

! Enda kaitsmiseks vibratsiooni eest hooldage tōōriista ja selle tarvikuid korralikult, hoidke oma kāēd soojad ja tagage sujuv tōōkorraldus.

LV

Kompakts bezkontaktu daudzfunkcionālais zāģis

3540

IEVADS

- Šis instruments ir paredzēts šķērsvirziena un garenvirziena kokmateriālu, kokskaidu plātņu, saplākšņu, alumīnija, fližu, akmens, plastmasas un vieglu būvmateriālu zāģēšanai taisnā līnijā, kā arī zāģēšanai līdz 45° leņķī
- Šis instruments nav paredzēts profesionālai lietošanai.
- Izlasiet un saglabājiet šo pamācību.③

TEHNISKIE DATI ①

INSTRUMENTA ELEMENTI ②

- A Sešstūra stienātslēga
- B Nodalījums sešstūra stienātslēgas glabāšanai
- C Rokturis
- D Palaišanas mehānisma slēdzis
- E Drošības slēdzis
- F Darbvārpstas fiksācijas poga
- G Putekļu nosūkšanas atvere
- H Putekšūcēja adapters
- J Paralēlā vadotne
- K Paralēlās vadotnes regulēšanas skrūve
- L Zāģējuma līnijas indikators
- M Pamatnes plāksne
- N Ventilācijas atveres
- P Zāģēšanas dziļuma indikators
- Q Poga zāģēšanas dziļuma iestatīšanai
- R Augšējais aizsargs
- S Apakšējais aizsarga atvēršanas svira
- T LED apgaismojums
- U Zāģēšanas leņķa regulēšanas spārnskrūve
- V Zāģēšanas leņķa indikators
- W Apakšējais aizsargs
- X Noturvirsma
- Y Zāģa asmens ar cietmetāla zobiem
- Z Atloks
- AA Zāģa asmens stīprinošā bultskrūve
- AB Akumulatora uzlādes līmeņa indikatora poga
- AC Rūdiņa tērauda zāģa asmens

AD Dimanta ripa

DROŠĪBA

VISPĀRĒJIE ELEKTROINSTRUMENTA DROŠĪBAS BRĪDINĀJUMI

⚠ BRĪDINĀJUMS! Izlasiet visus ar šo elektroinstrumentu saistītos drošības brīdinājumus, norādījumus, specifiskāciju un aplūkojiet attēlus. Visu turpmāk uzskaitīto norādījumu neievērošana var izraisīt elektriskās strāvas triecienu, aizdegšanos un/vai nopietnas traumas.

Saglabājiet visus brīdinājumus un instrukcijas turpmākai atsaucei.

Brīdinājumus lietotais termins „elektroinstruments” attiecas uz elektriski darbināmu instrumentu, kura barošanu nodrošina elektrotilks (ar elektrokabeli) vai akumulators (bez elektrokabeļa).

1) DROŠĪBA DARBA ZONĀ

- Uzturiet darba zonu tīru un labi apgaismotu.** Nesakārtotā un slikti apgaismotā darba zonā var notikt nelaimes gadījumi.
- Nedarbiniet elektroinstrumentu sprādzienbīstamā vidē, piemēram, viegli uzliesmojošu šķidrums, gāzu vai putekļu klātbūtnē.** Elektroinstrumenti rada dzirksteles, kas var aizdedzināt putekļus vai izgarojumu tvaikus.
- Neļaujiet bērniem un klātesošajiem atrasties elektroinstrumenta tuvumā, kamēr tas darbojas.** Apjukuma brīdī jūs varat zaudēt vadību pār instrumentu.

2) ELEKTRODROŠĪBA

- Elektroinstrumenta kontaktdakšai jāsakrīt ar kontaktrozeti. Nekad nekādā veidā nepārveidojiet kontaktdakšu. Neizmantojiet adaptera kontaktdakšas kopā ar iezemētiem elektroinstrumentiem.** Lietojot nepārveidotas kontaktdakšas un atbilstošas kontaktilgzdas tiek samazināts elektriskās strāvas trieciena risks.
- Nepieskarieties sazemētām virsmām, piemēram cauruļvadiem, radiatoriem, plītim un ledusskapjiem.** Saņemoties Jūs palielināt elektriskās strāvas trieciena risku.
- Sargājiet elektroinstrumentus no lietus vai mitruma.** Mitruma iekļūšana elektroinstrumentā palielina elektriskās strāvas trieciena risku.
- Nebojājiet strāvas vadu. Nekad nelietojiet strāvas vadu elektroinstrumenta pārnēsāšanai, vilkšanai vai kontaktdakšas izvilkšanai no kontaktrozetes.** Sargājiet strāvas vadu no karstuma, eļļas, asām malām vai kustīgām daļām. Bojāti vai samudzināti strāvas vadi palielina risku saņemt elektriskās strāvas triecienu.
- Strādājot ar elektroinstrumentu ārpus telpām, nodrošiniet, lai arī izmantotie vadu pagarinātāji būtu piemēroti āra darbiem.** Āra darbiem paredzēta vadu pagarinātāja izmantošana samazina elektriskās strāvas trieciena risku.
- Ja nav iespējams izvairīties no elektroinstrumenta darbināšanas mitrā vietā, izmantojiet barošanas**

sistēmu, kas aizsargāta ar noplūdes strāvas aizsardzības ierīcēm (RCD). Noplūdes strāvas aizsardzības ierīču izmantošana samazina elektriskās strāvas trieciena risku.

3) PERSONĪGĀ DROŠĪBA

- a) Darbinot elektroinstrumentu, esiet modri, pievērsiet uzmanību tam, ko jūs darāt, un rīkojieties ar to saprātīgi. Nelietojiet elektroinstrumentu, ja esat noguruši vai atrodaties apreibinošu vielu, alkohola vai medikamentu ietekmē. Pat viens mirklis neuzmanības elektroinstrumenta lietošanas laikā var kļūt par cēloni nopietnām traumām.
- b) **Izmantojiet individuālos aizsarglīdzekļus. Vienmēr valkājiet acu aizsarglīdzekļus.** Ja tiek lietots darba specifiskai atbilstošs aizsargaprīkojums, piemēram, maska ar putekļu filtru, neslīdoši darba apavi, ķivere vai austiņas, samazinās traumu gūšanas risks.
- c) **Novērsiet nejausās ieslēgšanās iespējamību. Pirms instrumenta pievienošanas strāvas avotam un/vai akumulatoru blokam pārliecinieties, vai slēdzis atrodas izslēgtā stāvoklī.** Pārnēsājot elektroinstrumentu ar pirkstu uz slēdža vai iedarbinot elektroinstrumentu, kas jau ir ieslēgtā stāvoklī, var notikt nelaimes gadījums.
- d) **Pirms elektroinstrumenta ieslēgšanas izņemiet visas noregulēšanas vai uzgriežņu atslēgas.** Regulēšanas instruments vai atslēga, kas palikusi elektroinstrumenta rotējošās daļās, var izraisīt traumas.
- e) **eNepārvērtējiet savas spējas. Ieņemiet pareizu stāju un vienmēr saglabājiet līdzsvaru.** Pādējādi jūs varēsiet labāk apvaldīt elektroinstrumentu negaidītās situācijās.
- f) **fSargājiet matus, apģērbu un cimdus no kustīgajām daļām.** Valīgs apģērbs, rotaslietas vai garī mati var iekerties instrumenta kustīgajās daļās.
- g) **Ja iekārtas ir paredzētas savienošanai ar putekļu nosūķšanas un savākšanas iekārtām, pārliecinieties, vai tās ir pieslēgtas un tiek izmantotas pareizi.** Putekļu savākšanas ierīču izmantošana var samazināt ar putekļiem saistītos apdraudējumus.
- h) **Nepieļaujiet, ka iekārtas bieža lietošana varētu izraisīt nevērtīgu attieksmi darbā ar to, un neignorējiet ar iekārtas lietošanu saistītos drošības principus.** Viens brīdis neuzmanības var izraisīt nopietnas traumas.
- 4) **ELEKTROINSTRUMENTA LIETOŠANA UN APKOPE**
- a) **Nepiediet elektroinstrumentu ar spēku.** Lietojiet attiecīgajam darbam piemērotāko elektroinstrumentu. Piemērots elektroinstruments labāk un drošāk spēs izpildīt veicamo darbu, darbojoties tam paredzētajā ātrumā.
- b) **Nelietojiet elektroinstrumentu, ja to nav iespējams ieslēgt un izslēgt ar slēdzi.** Ja elektroinstrumentu nav iespējams ieslēgt un izslēgt ar slēdzi, tas ir bīstams, tāpēc nekavējoties jāsalabo.
- c) **Pirms jebkādu pielāgojumu veikšanas, piederumu maiņas vai elektroinstrumenta novietošanas glabāšanā atvienojiet kontakt dakšu no barošanas avota un/vai izņemiet no elektroinstrumenta akumulatora bloku, ja to var izdarīt.** Šādi piesardzības pasākumi palīdzēs novērst nejausu elektroinstrumenta ieslēgšanu.
- d) **Ja elektroinstrumenti kādu laiku netiek lietoti,**

uzglabājiet tos bērniem nepieejamā vietā un neļaujiet ar elektroinstrumentu darboties personām, kas instrumentu nepārzina vai nav izlasījušas šīs instrukcijas. Nemākulīgās rokās nonākuši elektroinstrumenti ir potenciāls briesmu avots.

- e) **Veiciet elektroinstrumentam un piederumiem apkopi.** Pārbaudiet, vai ir pareizi uzstādītas kustīgās daļas un vai tās neķeras, un vai elektroinstrumenta daļām nav bojājumu, kas var negatīvi ietekmēt tā darbību. Bojāts elektroinstruments ir jāsalabo pirms nākamās lietošanas reizes. Daudzu negadījumu cēlonis ir sliktā stāvoklī esošu elektroinstrumentu izmantošana.
- f) **Griezējinstrumentiem jābūt asiem un tīriem.** Rūpīgi kopti griezējinstrumenti retāk iestrēgst un ir vieglāk vadāmi.
- g) **Lietojiet elektroinstrumentu, tā piederumus un maināmos instrumentus, kā arī citus saistītos elementus atbilstoši šiem norādījumiem, ņemot vērā darba apstākļus un veicamo uzdevumu.** Elektroinstrumenta lietošana neparedzētiem mērķiem var radīt bīstamu situāciju.
- h) **Rokturiem un satveršanas daļām jābūt sausiem, tīriem un uz tiem nedrīkst būt eļļa vai smērviela.** Ja rokturi un satveršanas daļas ir mitras, tās slīdēs, un ar instrumentu vairs nebūs droši strādāt, kā arī apvaldīt neparedzētu apstākļu gadījumos.
- 5) **AKUMULATORA LIETOŠANA UN APKOPE**
- a) **Uzlādējiet instrumentu tikai ar ražotāja noteikto lādētāju.** Lādētājs, kas paredzēts lietošanai tikai ar viena veida akumulatoru bloku, var radīt aizdegšanās draudus, ja to izmanto kopā ar citu akumulatoru bloku.
- b) **Lietojiet elektroinstrumentus kopā tikai ar tiem paredzētiem akumulatoru blokiem.** Jebkura cita akumulatora bloka lietošana var radīt traumu gūšanas un aizdegšanās risku.
- c) **Kad akumulatoru bloks netiek izmantots, neglabājiet to citu metāla priekšmetu, piemēram, papīra saspaužu, monētu, atslēgu, naglu, skrūvju vai citu sīku metāla priekšmetu, kas var veidot savienojumu starp spailēm, tuvumā.** Akumulatora spaiļu īsslēgums var izraisīt aizdegšanās vai ugunsgrēku.
- d) **Nepareizas rīcības gadījumā no akumulatora var iztect šķidrums; izvairieties no saskares ar to. Ja tas nejausī nokļuvis uz ādas, noskalojiet ar ūdeni. Ja šķidrums iekļuvis acīs, nekavējoties meklējiet medicīnisko palīdzību.** No akumulatora izkļuvušais šķidrums var izraisīt kairinājumu vai apdegumus.
- e) **Nelietojiet bojātu vai pārveidotu akumulatoru bloku un instrumentu.** Bojātu vai pārveidotu akumulatoru izmantošana var izraisīt neparedzamus apstākļus, kas rada aizdegšanās, sprādziena vai traumas gūšanas draudus.
- f) **Nepakļaujiet akumulatoru bloku vai iekārtu uguns liesmu vai pārmērīgas temperatūras iedarbībai.** Uguns liesmu iedarbība vai temperatūra virs 130 °C var izraisīt sprādzienu.
- g) **Izpildiet visas uzlādēšanas instrukcijas un neuzlādējiet akumulatoru bloku vai instrumentu ārpus instrukcijās norādītajam temperatūras vērtībām.** Ja iekārta tiek uzlādēta nepareizi vai tiek pārsniegtas instrukcijās norādītās uzlādēšanas temperatūras vērtības, akumulators var sabojāties un

palielināt aizdegšanās risku.

6) SERVIS

- a) **Elektroinstrumenta remontdarbus drīkst veikt tikai kvalificēts speciālists, izmantojot tikai oriģinālās rezerves daļas.** Tādējādi tiks garantēts elektroinstrumenta lietošanas drošums.
- b) **Nekad neveiciet bojātām akumulatoru blokam remontdarbus pašrocīgi.** Bojāta akumulatoru bloka remontdarbus drīkst veikt tikai ražotājs vai pilnvaroti servisa darbinieki.

RIPZĀGA DROŠAS LIETOŠANAS NORĀDĪJUMI

Zāgēšanas pamatpaņēmieni

- a) **BĪSTAMI!** Turiet rokas drošā attālumā no zāga darbības zonas un zāga asmens. Turot ripzāģi ar abām rokām, pasargāsiet sevi no zāga asmens radītiem savainojumiem.
- b) **Nepieskarieties ar rokām apstrādājamā materiāla apakšējai daļai.** Zāga aizsargs nevar nodrošināt aizsardzību no zāga asmens radītiem savainojumiem apstrādājamā materiāla apakšpusē.
- c) **Noregulējiet zāgēšanas dziļumu atbilstoši zāgējamā materiāla biežumam.** Apstrādājamā materiāla apakšpusē redzamās zāga asmens zobu daļas augstumam jābūt mazākam par pilnu asmens zobu augstumu.
- d) **Zāgēšanas laikā nekad neturiet zāgējamo materiālu rokās un neatbalstiet to pret kāju.** Nostipriniet apstrādājamo materiālu uz stabilas virsmas. Lai mazinātu savainojumu gūšanas risku, zāga asmens iestrēgšanu, kā arī lai nezaudētu vadību pār instrumentu, ir svarīgi pareizi atbalstīt apstrādājamo materiālu.
- e) **Ja zāgēšanas laikā pastāv iespēja elektroinstrumentam skart kādu aplēptu elektropārvades līniju, turiet zāģi tikai aiz tā izolētās satveršanas virsmas.** Ar spriegumam pieslēgtu vadu saskarē nonācis elektroinstrumenta var radīt spriegumu elektroinstrumenta atklātajās metālās daļās un pakļaut operatoru elektriskās strāvas triecienam.
- f) **Veicot garenzāgēšanu, lietojiet paralēlo vadotni vai izmantojiet priekšmeta taisno malu kā vadotni.** Tas palielina zāgēšanas precizitāti un samazina zāga asmens iestrēgšanas iespējamību.
- g) **Vienmēr lietojiet zāgripas ar pareizu centrālās atveres izmēru un formu (rombeida vai apaļu).** Zāgripas, kuru centrālā atvere neatbilst zāga darbvārpstas noturvīrsmai, rotē ekscentriski, traucējot instrumenta normālu vadību.
- h) **Nekad neizmantojiet nolietotas vai bojātas zāgripas starplikas vai bultskrūves.** Ripu starplikas un bultskrūves ir speciāli paredzētas konkrētā zāga ripām, lai nodrošinātu optimālu darba kvalitāti un drošību.

Atsitiens un ar to saistītie brīdinājumi

- Atsitiens ir pēkšņa zāga reakcija uz iesprūdušu vai aizķērušos asmeni apstrādājamajā materiālā vai novirzoties no zāgējuma līnijas, izraisot nekontrolētu zāga pacelšanos no zāgējamā materiāla virzienā pret operatoru.

- Ja zāgējuma šķēlumam aizveroties asmens tiek saspiests vai iespiests, tas var apstāties, kā rezultātā zāga motora reakcijas dēļ instruments strauji pārvietojas operatora virzienā.
- Ja asmens zāgējuma šķēlumā sašķiebjas vai novirzās no zāgējuma līnijas, zāga asmens aizmugurējās malas zobi var iestrēgt zāgējamā kokmateriāla virskārtā, liekot asmenim izrautes no zāgējuma vietas un pārvietoties operatora virzienā.

Atsitiens rodas zāga nepareizas lietošanas un/vai zāgēšanas pamatpaņēmieni pielietošanas vai neatbilstošu apstākļu dēļ, un no tā var izvairīties, ievērojot tālāk norādītos piesardzības pasākumus.

- a) **Stingri turiet ripzāģi, satverot to tādā veidā, lai izturētu atsitienu spēka iedarbību.** Tāpat jūs nedrīkstat atrasties uz vienas līnijas ar zāga asmeni — stāviet vienā vai otrā pusē no zāga asmens. Atsitiens var izraisīt zāga atlēkšanu atpakaļ, tomēr operators var pārvaldīt atsitienu spēku, ja norādītie pasākumi tiek veikti pareizi.
- b) **Ja zāga asmens iestrēgst vai arī zāgēšana tiek pārtraukta kādu citu iemeslu dēļ, atļaidiet zāga slēdzi un turpiniet turēt instrumentu nekustīgi zāgējamajā materiālā, līdz pilnībā apstājas zāga asmens.** Nekādā gadījumā nemēģiniet izņemt zāģi no zāgējamā materiāla un neveiciet zāģi atpakaļ, kamēr zāga asmens vēl atrodas kustībā, jo tas var izraisīt atsitienu. Nosakiet zāga asmens iestrēgšanas iemeslus un veiciet pasākumus to novēršanai.
- c) **Atkārtoti ieslēdzot zāģi laikā, kad tā asmens atrodas apstrādājamajā materiālā, centieties turēt asmeni zāgējuma šķēluma vidū un pārbaudiet, vai tā zobi nav iespiedušies zāgējamajā materiālā.** Ja zāga asmens iestrēgst, tad, ieslēdzot ripzāģi, tā asmens var strauji pārvietoties augšup no apstrādājamā materiāla vai arī radīt atsitienu.
- d) **Lai izvairītos no zāga asmens iestrēgšanas un atsitienu, zāgējot liela izmēra paneļus, tie ir jāatbalsta.** Liela izmēra paneļi zem sava svara mēdz ieliekties. Balsti jānovieto paneļa abos sānos tuvu zāgējuma līnijai un pie paneļa malas.
- e) **Neizmantojiet neasus vai bojātus asmeņus.** Neuzasināti vai nepareizi iestiprināti asmeņi veido šauru zāgējuma šķēlumu, kas var izsaukt pastiprinātu berzi, asmens iestrēgšanu un zāga atsitienu.
- f) **Pirms zāgēšanas uzsākšanas stingri pievelciet zāgēšanas dziļuma un zāgēšanas lenķa iestādījumu fiksējošās pogas.** Ja zāgēšanas laikā zāga asmens stāvokļa iestādījumi izmainās, tas var izraisīt asmens iestrēgšanu un zāga atsitienu.
- g) **Ievērojiet īpašu piesardzību, veicot zāgēšanu sienās vai citās slēgtās virsmās.** Izvirzītais asmens var pārgriezt neredzamus priekšmetus, izraisot zāga atsitienu.

Apakšējā aizsarga funkcija

- a) **Katru reizi pirms darba uzsākšanas pārbaudiet, vai zāga apakšējais aizsargs pilnībā aizveras.** Nestrādājiet ar zāģi, ja tā apakšējais aizsargs nespēj

brīvi pārvietoties un neaizveras uzreiz. Nemēģiniet nofiksēt zāga apakšējo aizsargu atvērtā stāvoklī. Ja zāģis nejausi nokrīt, apakšējais aizsargs var saliekties. Šādā gadījumā ar speciāla ievelkoša roktura palīdzību paceliet asmens apakšējo aizsargu un pārbaudiet, vai tas spēj brīvi pārvietoties un neskar asmeni vai kādu citu instrumenta daļu; pārbaude jāveic pie visiem zāģēšanas dzijuma un leņķa iestādījumiem.

- b) Pārbaudiet apakšējā aizsarga atsperes darbību. Ja aizsargs vai tā atspere nedarbojas pareizi, pirms darba uzsākšanas jāveic apkošana. Zāga apakšējā aizsarga brīva pārvietošanās var tikt traucēta kāda bojājuma, gumijas nosēdumu vai sakrājušos netīrumu dēļ.
- c) Apakšējo aizsargu drīkst atvērt ar rokām tikai tad, kad tiek veikti tādi speciālie zāģējumi, kā zāģēšana ar asmens iegremdēšanu vai salikto zāģējumu veidošana. Šādos gadījumos ar ievelkoša roktura palīdzību atveriet asmens apakšējo aizsargu un, asmeni ieejot apstrādājamajā materiālā, tūlīt to nolaidiet. Veicot visus pārējos zāģējumus, asmens apakšējam aizsargam jādarbojas automātiski.
- d) Pirms zāga novietošanas uz darbgalda vai grīdas raugiet, lai asmens aizsargs nesegtu asmeni. Nenosegts asmens, kas pēc inerces vēl rotē, var likt zāģim pārvietoties atpakaļvirzienā, sagriežot visu, kas gadās tam ceļā. Neaizmirstiet, ka pēc slēdža atlaišanas zāga asmens vēl kādu laiku turpina rotēt.

PAPILDU DROŠĪBAS NOTEIKUMI

VISPĀRĒJA INFORMĀCIJA

- Šo instrumentu nedrīkst izmantot personas, kas jaunākas par 16 gadiem
- Šis ripzāģis nav paredzēts mitru priekšmetu zāģēšanai
- Neapstrādājiet materiālus, kas satur azbestu (azbestam piemīt kancerogēnas īpašības)
- Materiāla, piemēram svīnu saturošas krāsas, dažu koka šķirņu, minerālu un metāla, putekļi var būt kaitīgi (saskare ar putekļiem vai to ieelpošana var izraisīt alerģiskas reakcijas un/vai elpošanas ceļu saslimšanas operatoram vai klātesošajiem); **izmantojiet putekļu masku un putekļsūcēju, ja to iespējams pievienot**
- Dažu veidu putekļi ir klasificēti kā kancerogēni (piemēram, ozola vai dižskābarža putekļi), jo īpaši apvienojumā ar koksnes kondicionēšanas piedevām; **izmantojiet putekļu masku un putekļsūcēju, ja to iespējams pievienot**
- Ievērojiet ar putekļu savākšanu saistītos nacionālos noteikumus, kas attiecas uz apstrādājamajiem materiāliem
- Neizmantojiet šo zāģi kopā ar zāģēšanas galdus
- Pirms instrumenta regulēšanas vai piederumu nomaiņas izņemiet no instrumenta akumulatoru

PIEDERUMI

- Firma SKIL garantē instrumenta nevainojamu darbību tikai tad, ja tiek lietoti oriģinālie papildpiederumi
- Izmantojiet tikai tādas zāģa asmeņus, kas atbilst šajā lietošanas instrukcijā norādītajiem īpašību datiem un ir pārbaudīti un marķēti saskaņā ar EN 847-1 standartu, ja tie ir paredzēti kokmateriāla un tam līdzīgu materiālu zāģēšanai.
- Lietojiet tikai tādus darbinstrumentus, kuru pieļaujamais darbības ātrums ir vismaz tikpat liels, kā instrumenta

maksimālais brīvgaitas ātrums

- **Izmantojiet tikai tādus zāga asmeņus/griezējripas, kuru minimālais diametrs ir 115 mm, bet maksimālais — 120 mm un vārpstas atvere ir 9,5 mm**
- Neiestipriniet ripzāģi slīpēšanas diskus ar šo instrumentu
- Uzmaniģi rīkojiet un uzglabājiet piederumus
- Piemeklējiet pareizo zāga asmeni, kuru izmantosiet zāģējamajam materiālam.

PIRMS DARBA UZSĀKŠANAS

- Izvairieties no instrumenta bojājumiem, ko var radīt apstrādājamajā priekšmetā esošās skrūves, naglas vai citi līdzīgi objekti; pirms darba uzsākšanas atbrīvojiet apstrādājamo materiālu no šādiem priekšmetiem
- Pirms zāģēšanas nodrošiniet, lai zāģējuma trase no abām zāģējamā priekšmeta pusēm tiktu atbrīvota no jebkāda veida šķēršļiem
- **Nostipriniet apstrādājamo detaļu** (to ir drošāk nostiprināt ar spailēm vai skrūvspilēm, nevis turēt rokā)
- **Ar piemērota metālmeklētāja palīdzību pārbaudiet, vai apstrādes vietu nešķērso slēptas elektropārvades līnijas, kā arī gāzes vai ūdens caurules; šaubu gadījumā griezieties vietējā komunālās saimniecības iestādē** (darbinstrumentam skarot elektrotīkļa fāzes līniju, var izcelties ugunsgrēks un strādājošais var saņemt elektrisko triecienu; gāzes vada bojājums var izraisīt sprādzienu; darbinstrumentam skarot ūdensvada cauruli, var tikt bojātas materiālās vērtības un strādājošais var saņemt elektrisko triecienu)

DARBA LAIKĀ

- Darba laikā instrumenta radītā trokšņa līmenis var pārsniegt 85 dB(A); lietojiet ausu aizsargus
- Nelietojiet ripzāģi, ja uz tā nav nostiprināti visi paredzētie asmens aizsargi
- Neizāģējiet ļoti mazus priekšmetus
- Nestrādājiet ar ripzāģi, turot to virs galvas
- Iestrēgšanas, kā arī elektriska vai mehāniska rakstura kļūmes gadījumā nekavējoties izslēdziet instrumentu un izņemiet akumulatoru

PĒC DARBA PABEIGŠANAS

- Pirms instrumenta novietošanas izslēdziet tā elektrodzinēju un nogaidiet, līdz ir pilnīgi apstājušās visas instrumenta kustīgās daļas
- Pēc ripzāģa izslēgšanas nemēģiniet nobremzēt zāģa asmeni, izdarot uz to spiedienu sānu virzienā

AKUMULATORI

- Komplektā iekļautais akumulators ir daļēji uzlādēts (lai nodrošinātu pilnu akumulatora jaudu, pirms elektroinstrumenta pirmās izmantošanas reizes uzlādējiet to pilnībā, izmantojot uzlādes ierīci)
- Izmantojiet tikai instrumenta piegādes komplektā ietilpstošos akumulatorus un uzlādes ierīces
 - SKIL akumulators: BR1*31****
 - SKIL lādētājs: CR1*31****
- Nelietojiet bojātu akumulatoru; tas nekavējoties jānomaina
- Neizjauciet akumulatoru
- Neatstājiet instrumentu/akumulatoru lietū
- Pieļaujamā apkārtējā gaisa temperatūra (instruments/lādētājs/akumulators):
 - uzlādes laikā 4...40 °C
 - darba laikā –20...+50 °C
 - uzglabāšanas laikā –20...+50 °C

UZ INSTRUMENTA/AKUMULATORA ATTĒLOTO SIMBOLU SKAIDROJUMS

- ③ Pirms ekspluatācijas izlasiet instrukciju rokasgrāmatu
- ④ Ja akumulators tiks dedzināts, tas eksplodēs, tāpēc nekādā gadījumā to nededziniet
- ⑤ Uzglabājiet instrumentu/lādētāju/akumulatoru vietā, kur temperatūra nepārsniedz 50 °C
- ⑥ Neizmetiet elektroiekārtas un baterijas kopā ar sadzīves atkritumiem

LIETOŠANA

- Akumulatora uzlādēšana
! **izlasiet lādētāja komplektā iekļautos drošas lietošanas noteikumus un norādījumus**
- Akumulatora izņemšana/ievietošana ②
- Akumulatora uzlādes statusa indikators ⑦
 - lai noskaidrotu akumulatora uzlādes līmeni ⑦a, nospiediet akumulatora līmeņa rādītāja pogu AB
 - ! **ja pēc AB ⑦b pogas nospiešanas sāk mirgot akumulatora indikators apakšējais līmenis, tas nozīmē, ka akumulators ir tukšs**
 - ! **ja pēc pogas AB ⑦c nospiešanas sāk mirgot 2 akumulatora indikators līmeņi, tas nozīmē, ka akumulators neatrodas pieļaujamajā darba temperatūras diapazonā**
- Gaismas indikators T ⑧
Kad instruments sāk darboties, automātiski iedegas LED gaisma
! **LED gaismai sākot mirgot, tiek aktivizēta akumulatora aizsardzība (skatīt zemāk)**
- Akumulatora aizsardzība
Instrumenti tiek tūlīt izslēgti vai arī to nav iespējams ieslēgt, ja
 - **pārāk liela slodze** -> samaziniet slodzi un ieslēdziet instrumentu no jauna
 - **akumulatora temperatūra ir ārpus atļautā darba diapazona no -20 līdz +50 °C** -> nospiežot pogu AB 7c, sāk mirgot akumulatora 2 līmeņu rādītāja iedaļas; pagaidiet, līdz akumulatora temperatūra atkal ir atļautajā darba diapazonā
 - **akumulators ir gandrīz tukšs (aizsardzībai pret pilnīgu izlādi)** -> nospiežot pogu AB, akumulatora līmeņa rādītājā ir attēlota zemākā akumulatora līmeņa rādītāja iedaļa vai mirgojoša zemākā akumulatora līmeņa rādītāja iedaļa UB; uzlādējiet akumulatoru
 - ! **pēc instrumenta automātiskas izslēgšanās nedrīkst spiest ieslēgšanas un izslēgšanas slēdzi, jo tā var sabojāt akumulatoru**
- Zāģa asmens uzstādīšana ②
! **izņemiet no instrumenta akumulatoru**
- Paņemiet no glabātuves B sešstūra atslēgu
- nospiediet darbvārpstas bloķēšanas pogu F un turiet to, kamēr izskrūvējiet asmens buļskrūvi AA, pagriezot uzriepiņatslēgu PULKSTENRĀDĪTĀJA KUSTĪBAS VIRZIENĀ (= tajā pašā virzienā, kā to norāda uz zāģa asmens attēlotā bultiņa)
! **darbvārpstas fiksējošo pogu F drīkst nospiegt tikai tad, kad instruments atrodas miera stāvoklī**
- atlaidiet fiksējošo pogu F
- noņemiet atloku Z
! **nodrošiniet, lai abu paplākšņu noturvirsma X būtu nevainojami tīras un būtu vērstas pret zāģa asmeni**
- lietojot sviru S, atveriet apakšējo asmens aizsargu W

- noturot to atvērtu, uzstādiēt zāģa asmeni, sekojot, lai zāģa asmens zobu vērsums un uz zāģa asmens attēlotās bultas virziens sakristu ar bultas virzienu, kas attēlota uz ripzāģa asmens apakšējā aizsarga
- atbrīvojiet apakšējo asmens aizsargu W
- novietojiet paplākšni Z
- nospiediet instrumenta darbvārpstas fiksējošo pogu F un, turot to nospiestu, ar pirkstiem pieskrūvējiet stiprinošo skrūvi un tad pievelciet to ar sešstūra stieņatslēgu par 1/8 no pilna apgrieziena (šādi tiek panākta paplākšņu noturvirsma izslīdēšana gadījumā, ja iestrēgst zāģa asmens, novēršot elektrodzinēja pārslodzi un iespējamo zāģa atsitenu)
- atlaidiet fiksējošo pogu F
- Zāģēšanas dziļuma iestādīšana (robežās no 0 līdz 41 mm) ⑨
 - lai nodrošinātu optimālu apstrādes kvalitāti, asmens nedrīkst iziet caur zāģējamu priekšmetu vairāk, kā par 3 mm
 - nedaudz atskrūvējiet skrūvi Q
 - paceļot/nolaizot zāģa pamatni M, iestādiēt vēlamo zāģēšanas dziļumu atbilstoši indikatora P rādījumiem uz skalas
 - pieskrūvējiet skrūvi Q
- Zāģēšanas leņķa iestādīšana (robežās no 0° līdz 45°) ⑩
 - nedaudz atskrūvējiet skrūvi U
 - nolieciet instrumentu sānu virzienā, uzstādiēt vēlamo zāģēšanas leņķi atbilstoši indikatora V rādījumiem uz skalas
 - pieskrūvējiet skrūvi U
 - ! **veidojot slīpos zāģējumus, zāģēšanas dziļums neatbilst uz zāģēšanas dziļuma skalas nolāsāmajai vērtībai**
- Zāģējuma līnijas indikators L ⑪
 - kalpo, lai atvieglotu instrumenta vadīšanu pa iepriekš iezīmētu zāģējuma līniju
 - veidojot taisnos zāģējumus ar leņķi 0° un slīpos zāģējumus ar leņķi 45°, vadieties pēc atbilstošā zāģējuma līnijas viziera ierobejuma
 - ! **zāģēšanas laikā ripzāģa pamatnes paplašinātajai daļai jāatrodas uz zāģējamā priekšmeta atbalstītās daļas**
 - ! **zāģējuma platumu nosaka nevis zāģa asmens korpusa biezums, bet gan tā zobu izvērsuma platums**
 - ! **lai pārbaudītu reālās zāģējuma līnijas atbilstību iepriekš iezīmētajai, pirms darba vienmēr veiciet izmēģinājuma zāģējumus**
- Putekļu uzsūkšana ⑫
Lai putekļu uzsūšanai izmantotu putekļsūcēju, rīkojieties šādi
 - savienojiet putekļu sūcēja šļūteni ar putekļu sūcēja adapteru H
 - ! **darba laikā vadiet ripzāģi tā, lai putekļsūcēja caurule netraucētu apakšējā asmens aizsarga pārvietošanos vai zāģēšanas procesu**
 - ! **neizmantojiet putekļsūcēju, apstrādājot metālu**
- Instrumenta darbināšana
 - ievietojiet akumulatoru
 - vienmēr stingri satveriet rokturi C
 - uzsākot zāģēšanu, novietojiet instrumenta pamatnes priekšējo daļu uz zāģējamā priekšmeta virsmas
 - ! **nodrošiniet, lai pirms ripzāģa ieslēgšanas asmens**

zobi nepieskartos zāgējamajam priekšmetam

- ieslēdziet instrumentu, vispirms nospiežot pogu E (= drošības slēdzis bez fiksācijas) un pēc tam nospiežot slēdzi D

! kontaktējiet instrumenta asmeni ar zāgējamo priekšmetu tikai pēc tam, kad tā asmens griešanās ātrums ir sasniedzis nominālo vērtību

- ripzāga apakšējais asmens aizsargs W atveras automātiski, asmenim ieejot zāgējamajā priekšmetā (asmens aizsargs jāatver ar sviras S palīdzību tikai sevišķos gadījumos, piemēram, veicot zāgēšanu ar asmens iegremdēšanu)

! nemēģiniet darbinstrumentam piemērot spēku (piemērojiet vieglu un nepārtrauktu spiedienu, lai izvairītos no asmens galu pārkaršanas)

! darba laikā vienmēr turiet instrumentu aiz noturvirsmas(ām)

- pabeidzot zāgēšanu, izslēdziet instrumentu, atlaižot slēdzi D

! pirms instrumenta pacelšanas no zāgējamā priekšmeta nogaidiet, līdz tā asmens pilnīgi apstājas

PRAKTISKI PADOMI

- Vienmēr pavērsiet apstrādājamā priekšmeta labo pusi uz leju, tādējādi nodrošinot minimālu šķelšanas kokmateriālu un tiem līdzīgu materiālu zāgēšanas laikā.
- Būtībā zāgēšanas veikspēja un griešanas kvalitāte ir atkarīga no zāga asmens stāvokļa un zobu skaita.
- Izmantojiet tikai asus zāgēšanas asmeņus, kas ir piemēroti zāgējamajam materiālam ⑬
 - izmantojiet rūdīta tērauda zāga asmeni AC ② koka, alumīnija, plastmasas un cita slāņainas koksnes materiāla zāgēšanai
 - izmantojiet dimanta ripu AD ② keramikas un flīžu griešanai
 - zāga asmeņi ar cietmetāla zobiem Y ② saglabā darbam nepieciešamo asumu līdz 30 reizēm ilgāk, nekā parastā tipa zāga asmeņi
- Paralēlā vadotne J ⑭
 - ir paredzēta precīzu zāgējumu veidošanai paralēli zāgējamā priekšmeta malai
 - ievietojiet caur spraugām pamatnes priekšējā galā
 - Paralēlās vadotnes stāvokļa regulēšana
 - izmantojot sešstūra atslēgu A, atskrūvējiet skrūvi K
 - noregulējiet vēlamo zāgēšanas platumu, izmantojot paralēlās vadotnes skalu (izmantojiet zāgējuma līnijas indikatoru L kā atsauci 0 punktam)
 - pievelciet skrūvi K
- Zāgēšana ar iegremdēšanu ⑮
 - iestādiēt vēlamo zāgēšanas dziļumu
 - nolieciet instrumentu uz priekšu, zāgējuma līnijas indikatora L jāatbilst uz detaļas atzīmētajai vēlamajai griezuma līnijai
 - lietojot sviru S, atveriet apakšējo asmens aizsargu W
 - ieslēdziet ripzāgi un tuviniet tā rotējošo asmeni zāgējamā priekšmeta virsmai, laižot lejup instrumenta aizmugurējo daļu un izmantojot tā priekšējo daļu kā atbalsta punktu
 - pakāpeniski iegremdējiet ripzāga asmeni zāgējamajā priekšmetā un vienlaikus sāciet virzīt instrumentu uz priekšu zāgējuma virzienā

- ripzāga asmenim ieejot apstrādājamajā materiālā, atlaidiet sviru S

! nekad nevelciet instrumentu atpakaļvirzienā

- Liela izmēra paneļu zāgēšana ⑯
 - atbalstiet priekšmetu zāgējuma vietas tuvumā, novietojot to uz grīdas vai darbgalda
 - ! iestādiēt vēlamo zāgēšanas dziļumu ar tādū aprēķinu, lai asmens izietu cauri zāgējamajam priekšmetam, bet neskartu virsmu, uz kuras balstās apstrādājamais priekšmets**
 - ja nepieciešamo griezuma platumu nav iespējams nodrošināt ar paralēlo vadotni, iespilējiet vai pienaglojiet uz zāgējamā priekšmeta virsmas plakānu koka līsti, ko zāgēšanas laikā izmantot kā vadotni, virzot gar to pamatnes kreiso malu ⑰
- Papildu informāciju skatīt tīmekļa vietnē www.skil.com

APKOPE/SERVISS

- Šis instruments nav paredzēts profesionālai lietošanai.
- Vienmēr uzturiet instrumentu tīru (īpaši ventilācijas atveres N)
 - ! pirms tīrīšanas izņemiet no instrumenta akumulatoru**
- Vienmēr raugieties, lai vieta ap apakšējo aizsargu W ② būtu tīra (savāciet putekļus un skaidas, tos aizpūšot prom ar spasiestu gaisu vai saslaucot ar slotu)
- Pēc ripzāga lietošanas nekavējoties attīriet tā asmeni (īpaši no sveķiem un līmes paliekām)
- Ja, neraugoties uz augsto izgatavošanas kvalitāti un rūpīgu pērcražošanas pārbaudi, instruments tomēr sabojājās, tas jānogādā remontam firmas SKIL pilnvarotā elektroinstrumentu remonta darbnīcā.
 - nogādājiet instrumentu neizjauktā veidā kopā ar iegādes dokumentiem tuvākajā tirdzniecības vietā vai firmas SKIL pilnvarotā pēciegādes apkalpošanas un remonta iestādē (adreses un instrumenta apkalpošanas shēma ir sniegta interneta vietnē www.skil.com)
- Ievērojiet, ka garantijā neietilpst pārslodzes vai nepareizas instrumenta ekspluatācijas izraisītie bojājumi (SKIL garantijas noteikumos skatiet www.skil.com vai vērsieties pie izplatītāja)

APKĀRTĒJĀS VIDES AIZSARDZĪBA

- Neizmetiet elektroiekārtas, baterijas, piederumus un iesaiņojuma materiālus sadzīves atkritumos (tikai ES valstīm)
 - saskaņā ar Eiropas Savienības direktīvu 2012/19/ES par nolietotajām elektriskajām un elektroniskajām iekārtām un tās atspoguļojumiem nacionālajā likumdošanā, nolietotās elektroiekārtas ir jāsavāc, jāizjauc un jānogādā atreizējai pārstrādei apkārtējai videi nekaitīgā veidā
 - Simbols ⑥ atgādina par nepieciešamību tos likvidēt videi nekaitīgā veidā.
- ! ! pirms akumulatora utilizācijas tā kontakti jāaplīmē ar izolācijas lenti, lai nepieļautu īssavienojuma rašanos starp tiem**

TROKSNIS/VIBRĀCIJA

- Veicot mērījumus atbilstoši EN62841, šī instrumenta skaņas spiediena līmenis ir 96 dB(A) un skaņas

intensitės lėmenis ir 107 dB(A) (nenoteiktėba K = 3 dB), bet vibracija *(triaksiālė vektora summa; nenoteiktėba K = 1,5 m/s²)

* kokmateriālų zėgėšana < 2,5 m/s²

* metėla griešana < 2,5 m/s²

- Vibracijos lėmenis ir noteiktis, izmantojot standartė EN 62841 paredėto procedūrų; to var izmantot, lai salėdinėtu instrumentus un provizoriški izvėrtėtu vibracijos iedarbėbu, lietojot instrumentu minėtajiem mėrėkiem
 - instrumenta izmantošana citiem mėrėkiem vai ar citiem vai nepietėkami koptiem piederumiem var ievėrojami palielināt kopėjo vibrācijas iedarbėbas pakāpi
 - laika periodi, kad instruments ir izslėgts vai arī ir ieslėgts, taču darbs ar to nenotiek, var ievėrojami samazināt kopėjo vibrācijas iedarbėbas pakāpi, samazinot iedarbėbas lėmeni
- ! **pasargājiet sevi no vibrācijas iedarbėbas, veicot instrumenta un tā piederumu tehnisko apkopi, novėrēot roku atdzėšanu un pareizi organizējot darbu**

LT

UNIVERSALUS KOMPAKTIŠKAS PJŪKLAŠ SU BEŠEPEČIU VARIKLIU

3540

ĪVADAS

- Šis ģrankis skirtas īsilgai ir skersai pjauti mediena, medienos plokštes, kartona, alumini, plyteles, akmenis, plastika ģ lengvas statybines medžiagas, atliekant statmenus pjūvius, o taip pat nuožambius pjūvius iki 45 laipsnių kampu.
- Šis ģrankis neskirtas profesionaliam naudojimui.
- Perskaitykite ir īsšaugokite šią naudojimo instrukciją ③.

TECHNINIAI DUOMENYS ①

ĶRANKIO DALYS ②

- A Šėšiabriaunis raktas
- B Šėšiabriaunio rakto laikiklis
- C Rankena
- D Pagrindinis jungiklis
- E Apsauginis jungiklis
- F Suklio blokavimo mygtukas
- G Dulkių īstraukimo anga
- H Dulkių siurblio prijungimo adapteris
- J Lygiagrečiai atrama
- K Rankenėlė lygiagrečiai atramai nustatyti
- L Pjūvio žymeklis
- M Pagrindo plokštelė
- N Ventilicacinės angos
- P jovimo gylio žymeklis
- Q Rankenėlė pjovimo gyliui nustatyti
- R Viršutinė apsauga
- S Apatinės apsaugos atidarymo svirtelė

- T LED lemputė
- U Rankenėlė pjovimo kampui nustatyti
- V Pjovimo kampo žymeklis
- W Apatinė apsauga
- X Prispaudimo plokštuma
- Y Pjovimo diskas su kietlydinio dantukais
- Z Jungė
- AA Disko varžtas
- AB Baterijos ģkrovos lygio indikatorius mygtukas
- AC Grūdinto plieno pjovimo diskas
- AD Deimantinis diskas

SAUGA

BENDRIEJI ĶSPĖJIMAI DĖL DARBO SU ELEKTRINIŲ ĶRANKIŲ SAUGOS

⚠ ĶSPĖJIMAS Perskaitykite visus su šiuo elektriniu ģrankiu pateiktus ģspėjimus dĖl saugos, instrukcijas, peržiūrėkite paveikslus ir specifikacijas. Nesilaikant visų toliau īsdėstyty nurodymų galima patirti elektros smūgi, sukelti gaisrą ir (ar) sunkiai susižaloti.

Ķsšaugokite visas instrukcijas su ģspėjimais, nes jų gali prireikti ateityje.

Ķspėjimuose vartojamu terminu „elektrinis ģrankis“ nurodomas īš elektros lizdo maitinamas (laidinis) arba baterija maitinamas (belaidis) elektrinis ģrankis.

1) SAUGA DARBO VIETOJE

- Darbo vieta turi bėti šviri ir gerai apšviesta.** Jei darbo vieta netvarkinga ar blogai apšviesta, gali įvykti nelaimingas atsitikimas.
- Nedirbkite su elektriniu ģrankiu sprogoje aplinkoje, pavyzdžiui, ten, kur yra degių skysčių, dujų arba dulkių.** Elektriniai ģrankiai gali kibirkščiuoti, o nuo kibirkščių gali užsidegti dulkės arba susikaupti garai.
- Dirbdami su elektriniu ģrankiu, neleiskite artintis vaikams ir pašalinams asmenims.** DĖl dėmesio blaškymo galite nesuvaldyti ģrankio.

2) ELEKTROSAUGA

- Elektrinio ģrankio kištukas turi tiktī elektros lizdui.** Niekada ir jokiais būdais nebandykite perdaryti kištuko. Su ģžemintais elektriniais ģrankiais nenaudokite jokių kištuko adapterių. Originalūs kištukai, tiksliai tinkantys elektros tinklo lizdui, sumažina elektros smūgio pavojų.
- Nesilieskite prie ģžemintų paviršių, pavyzdžiui, vamzdžių, radiatorių, viryklė ir šaldytuvų.** Jei jūšų kūnas bus ģžemintas, padidės elektros smūgio pavojus.
- Saugokite elektrinius ģrankius nuo lietaus ir drėgmės.** Į elektrinio ģrankio vidų patekus vandeniui padidėja elektros smūgio pavojus.
- Atsargiai elkitės su maitinimo laidu.** Niekada neneškite ir netempkite elektrinio ģrankio, laikydami už maitinimo laido, norėdami īstraukti kištuką iš elektros lizdo. Saugokite laidą nuo kaitros šaltinių, alyvos, aštrių briaunų ir judančių dalių. Pažeidus arba supainiojus laidus īsauga pavojus patirti elektros smūgi.
- Kai elektriniu ģrankiu dirbate lauke, naudokite laukui**

- skirtą laido ilgintuvą. Naudojant laukui skirtą maitinimo laidą, sumažėja pavojus patirti elektros smūgį.
- f) **Jeigu elektrinio įrankio naudojimas drėgnoje vietoje yra neišvengiamas, naudokite maitinimo šaltinį su liekamąja srove valdomu atjungimo įtaisu (RCD).** RCD naudojimas sumažina elektros smūgio pavojų.
- 3) **ASMENINĖ SAUGA**
- a) **Dirbdami su elektriniu įrankiu būkite budrūs, stebėkite, ką darote, ir vadovaukitės sveika nuovoka. Nedirbkite su elektriniu įrankiu, jei esate pavargę arba vartojote narkotikus, alkoholių ar medikamentus.** Dirbant su elektriniais įrankiais pakanka vienos neatidumo akimirkos ir galima sunkiai susižaloti.
- b) **Naudokite asmeninės apsaugos priemones. Visada būkite su apsauginiais akiniais.** Atitinkamomis sąlygomis naudojamos apsaugos priemonės, pvz., respiratorius, neslidūs apsauginiai batai, šalmas arba ausinės, sumažina pavojų susižaloti.
- c) **Apsisaugokite nuo atsitiktinio įrankio įsijungimo. Prieš jungdami prie maitinimo šaltinio ir (ar) sudėtinės baterijos, prieš įrankį keldami arba nešdami įsitikinkite, kad jungiklis yra išjungimo padėtyje.** Nešant elektrinius įrankius uždėjęs pirštą ant jungiklio arba netyčia įjungiant elektrinį įrankį su įjungtu jungikliu, gali įvykti nelaimingas atsitikimas.
- d) **Prieš įjungdami elektrinį įrankį, patraukite į šalį visus reguliavimo raktus ir veržliarakčius.** Elektrinio įrankio sukamojoje dalyje likus raktui ar veržliarakčiui galima susižaloti.
- e) **Nesistenkite pasiekti pernelgų toli. Visada stovėkite tvirtai ir išlaikykite pusiausvyrą.** Tuomet geriau suvaldysite elektrinį įrankį netikėtoje situacijoje.
- f) **Saugokite savo plaukus ir drabužius nuo judamų dalių.** Laisvus drabužius, papuošalus ar ilgus plaukus gali įtraukti judamosios dalys.
- g) **Jei yra įtaisai, skirti dulkių išsiurbimo ir surinkimo įtaisams prijungti, tinkamai juos prijunkite ir naudokite.** Naudojant dulkių surinkimo įrenginius, gali sumažėti su dulkelėmis susijusių pavojų.
- h) **Dažnai naudodami įrankius pernelgų savimi nepasitikėkite ir nepraraskite budrumo, kad paisytumėte saugaus įrankio naudojimo taisyklių.** Užtenka akimirkos išsiblaškyimo, kad dėl neatsargaus veiksmo sunkiai susižalotumėte.
- 4) **ELEKTRINIŲ ĮRANKIŲ NAUDOJIMAS IR PRIEŽIŪRA**
- a) **Elektrinio įrankio pernelgų nespauskite. Naudokite jūsų darbu tinkamą elektrinį įrankį.** Veikdamas numatytoju greičiu, tinkamas elektrinis įrankis darba atlieka veiksmingiau ir saugiau.
- b) **Nenaudokite elektrinio įrankio, jeigu jo negalima įjungti ar išjungti jungikliu.** Bet koks elektrinis įrankis, kurio jungiklis neveikia, yra pavojingas, tad jį būtina sutaisyti.
- c) **Prieš reguliuodami elektrinį įrankį, keisdami jo priedus arba padėdami jį į laikymo vietą, atjunkite kištuką nuo maitinimo šaltinio ir (ar) sudėtinę bateriją nuo įrankio.** Ši saugumo priemonė apsaugos jus nuo netyčinio elektrinio įrankio įjungimo.
- d) **Nenaudojamus elektrinius įrankius laikykite vaikams neprieinamoje vietoje. Su elektriniu įrankiu neleiskite dirbti asmenims, nesusipažinusiems su įrankiu arba šia instrukcija.** Neapmokytų naudotojų naudojami elektriniai įrankiai kelia pavojų.
- e) **Tinkamai prižiūrėkite elektrinius įrankius ir jų priedus. Tikrinkite, ar sukamos jų dalys išcentruotos ir nestringa, ar nėra sulūžusių dalių ir kitų sąlygų, galinčių turėti įtakos elektrinio įrankio veikimui. Jei elektrinis įrankis sugedęs, prieš naudodami jį suremontuokite.** Daugelio nelaimingų atsitikimų priežastis yra netinkama elektrinių įrankių priežiūra.
- f) **Pjovimo įrenginiai turi būti aštrūs ir švarūs.** Tinkamai prižiūrimi pjovimo įrankiai aštriais ašmenimis rečiau stringa ir lengviau valdomi.
- g) **Elektrinių įrankių, priedus, antgalius ir kitas dalis naudokite pagal šią instrukciją, atsižvelgdami į darbo sąlygas ir atliekamą darbą.** Naudojant elektrinius įrankius ne pagal paskirtį gali susidaryti pavojingos aplinkybės.
- h) **Įrankių rankenos ir sugriebimo paviršiai turi būti sausi, švarūs ir neištepti alyva ar tepalu.** Dėl slidžių rankenų ir sugriebimo paviršių įrankį sunku saugiai valdyti ir jis gali išsprūsti netikėtomis aplinkybėmis.
- 5) **AKUMULIATORINIŲ ĮRANKIŲ NAUDOJIMAS IR PRIEŽIŪRA**
- a) **Kraukite naudodami tik gamintojo nurodytą įkroviklį.** Naudojant įkroviklį, skirtą kito tipo sudėtinei baterijai, gali kilti gaisro pavojus.
- b) **Elektrinius įrankius naudokite tik su jiems skirtomis sudėtinėmis baterijomis.** Naudojant kitokias sudėtines baterijas gali kilti sužalojimų ir gaisro pavojus.
- c) **Nenaudojamą sudėtinę bateriją reikia saugoti nuo metalinių daiktų, tokių kaip sąvaržėlės, monetos, raktai, viny, varžtai ar kiti smulkūs metaliniai daiktai, kurie gali sujungti abu baterijos gnybtus.** Įvykus trumpajam jungimui tarp baterijos gnybtų galima nusidėginti ar gali kilti gaisras.
- d) **Dėl netinkamų sąlygų iš baterijos gali ištėkėti skystis – nelieskite jo.** Skysčiai atsitiktinai patekus ant odos, nedelsiant nuplaukite vandeniu. Jeigu skysčio pateko į akis, papildomai kreipkitės pagalbos į gydytojus. Iš baterijos ištėkėjęs skystis gali dirginti arba nudeginti.
- e) **Nenaudokite pažeistos ar modifikuotos sudėtinės baterijos ar įrankio.** Tokios netinkamos sudėtinės baterijos gali kelti gaisro, sprogiimo ar sužalojimo pavojų.
- f) **Sudėtinės baterijos ar įrankio negalima deginti ar kaitinti.** Bateriją deginant ar įkaitinus virš 130 °C ji gali sprogti.
- g) **Laikytės įrankio ar sudėtinės baterijos įkrovimo instrukcijų ir įkrovimą vykdykite nurodytame temperatūrų diapazone.** Priešingu atveju galite sugadinti sudėtinę bateriją ar net sukelti gaisrą.
- 6) **TECHNINĖ PRIEŽIŪRA**
- a) **Jūsų elektrinio įrankio techninės priežiūros darbus gali vykdyti tik kvalifikuotas remonto meistras, naudodamas tik identiškas atsargines dalis.** Tokiu būdu elektrinis įrankis išliks saugus.
- b) **Niekada neremontuokite sugadintos sudėtinės baterijos.** Tokias baterijas remontuoti gali tik gamintojas arba įgalioto techninės priežiūros centro specialistai.

DISKINIŲ PJŪKŲ NAUDOJIMO SAUGOS INSTRUKCIJOS

Pjovimo procedūros

- a) **PAVOJUS: nekiškite rankų į pjovimo zoną ir šalia disko.** Jei pjūklą laikote abiem rankomis, diskas negali jų įpjauti.
- b) **Pasistenkite pasiekti po darbo ruošiniu.** Apsauga negali apsaugoti jūsų nuo pjovimo disko po ruošiniu.
- c) **Sureguliuokite pjovimo gylį pagal darbo ruošinio storį.** Ruošinio apačioje turi matytis tik vienas visas disko dantukas.
- d) **Pjovimo metu niekada nelaiykite ruošinio rankose ar ant kojos. Pritvirtinkite ruošinį prie stabilaus darbatalio.** Svarbu tinkamai ruošinį atremti, kad iki minimumo sumažėtų kūno dalių sužalojimo, disko įstrigimo ar įrankio nesuvaldymo pavojus.
- e) **Elektrinius įrankius laikykite tik už izoliuoto, laikymui skirto paviršiaus, nes pjaunant diskas gali prisiliesti prie paslėpto elektros laido.** Pažeidus laidą, kuriuo teka elektros srovė, ji taip pat pradeda tekėti metalinėmis įrankio dalimis, ir tokiu atveju operatorius gali patirti elektros smūgį.
- f) **Pjaudami prapjovas visada naudokite lygiagrečią pjovimo atramą arba statmeną krašto atramą.** Taip pjūvis bus tikslesnis ir sumažės disko įstrigimo tikimybė.
- g) **Visada naudokite tinkamo dydžio ir tvirtinimo prie veleno angos formos (ne apvalios, o rombo) pjovimo diskus.** Jei pjovimo disko tvirtinimo anga netinka pjūklei, diskas suksis ekscentriškai ir galite nesuvaldyti įrankio.
- h) **Niekada nenaudokite pažeistų ar netinkamų disko poveržlių ar varžtų.** Originalios disko poveržlės ir varžtai buvo specialiai sukurti jūsų pjūklui, siekiant optimalaus veikimo ir veikimo saugumo.

Atatranks priežastys ir susiję įspėjimai

- Atatranka yra staigi reakcija į suspaustą, įstrigusį ar neišcentruotą pjovimo diską, kuomet nesuvaldytas pjūklas išsoka iš ruošinio atgal link operatoriaus.
- kai diskas suspaudžiamas ar įstringa užsidarancioje prapjovoje, jis sustabdomas, o dėl variklio reakcijos pjūklas staigiai atmetamas atgal į operatorių.
- jei diskas persikreipia prapjovoje, dantukai disko galiniame krašte gali „įsikasti“ į viršutinį medienos paviršių, dėl ko diskas išstumiamas iš prapjovos ir atšoka atgal į operatorių.

Atatranka vyksta netinkamai naudojant įrankį ir (ar) dėl netinkamų darbinį procedūrų arba sąlygų. Jos galima išvengti imantis toliau nurodytų atsargumo priemonių.

- a) **Pjūklą tvirtai laikykite ir pasirinkite tokią rankų padėtį, kad galėtumėte pasipriešinti atatranks jėgoms.** Atsistokite taip, kad jūsų kūnas būtų pjovimo disko plokštumos šone, o ne vienoje linijoje. Dėl atatranks pjūklas gali atšokti atgal, tačiau operatorius gali kontroliuoti atatranks jėgas, jei imasi tinkamų atsargumo priemonių.
- b) **Kai pjovimo diskas stringa ar dėl kokios nors priežasties sustabdomas pjovimą, atleiskite pagrindinį jungiklį ir palaukite, kol pjūklas visiškai sustos.** Niekada nebandykite ištraukti pjovimo disko iš darbo ruošinio arba traukti pjūklą atgal, kol diskas dar sukasi, nes gali įvykti atatranka. Išsiaiškinkite ir imkitės taisomųjų veiksmų, kad pašalintumėte disko įstrigimo priežastį.

- c) **Vėl paleisdami pjūklą, kurio pjovimo diskas likęs darbo ruošinyje, diską išcentruokite taip, kad jo dantukai nekabintų pjaunamos medžiagos.** Jei pjovimo diskas stringa, iš naujo paleidžiant pjūklą jis gali „išlipti“ iš prapjovos ar atšokti.
- d) **Pjaudami paremkite dideles plokštes, kad iki minimumo sumažėtų pjovimo disko suspaudimo ir atatranks pavojus.** Didelės plokštės gali nulinkti nuo savo svorio. Atramas po plokšte reikia pastatyti iš abiejų pusių šalia pjūvio linijos ir šalia plokštės kraštų.
- e) **Nenaudokite atšipusių ar pažeistų diskų.** Nepagaląsto ar netinkamai nustatyto pjovimo disko prapjova siaura, todėl padidėja trinties, disko strigimas ir atatranks pavojus.
- f) **Pjovimo gylio ir nuožambio reguliavimo fiksavimo svirtys turi būti tvirtai priveržtos prieš pradėdant pjauti.** Jeigu pjovimo metu šios svirtis pasilenka, diskas gali įstrigti ir atšokti.
- g) **Būkite ypač atsargūs pjaudami į esamas sienas ar kitas aklašias zonas.** Pjovimo diskas gali įpjauti klišit, kurios gali sukelti atatranką.

Apatinės apsaugos funkcija

- a) **Kiekvieną kartą prieš naudodami patikrinkite apatinę apsaugą, ar ji tinkamai užsidaro.** Nenaudokite pjūklei, jei apatinė apsauga laisvai nejuda ir akimirksniu neužsidaro. Niekada neužfiksuokite apatinės apsaugos atidarytoje padėtyje. Netyčia numetę pjūklą galite sulankstyti jo apatinę apsaugą. Pakelkite apatinę apsaugą su atitraukimo rankena ir patikrinkite, ar ji laisvai juda ir neliečia pjovimo disko ar kurios nors kitos dalies, pasukus bet kuriuo kampu ar pasirinkus bet kurį pjovimo gylį.
- b) **Patikrinkite apatinės apsaugos spyruoklės veikimą.** Jei apsauga ir spyruoklė tinkamai neveikia, prieš naudojant jas reikia sutvarkyti. Apatinė apsauga gali prastai veikti dėl pažeistų dalių, lipnių nuosėdų ar susikaupusių nešvarumų.
- c) **Apatinę apsaugą galima atitraukti rankiniu būdu tik atliekant specialius pjūvius, tokius kaip įleidžiami ar sudėtiniai pjūviai.** Pakelkite apatinę apsaugą atitraukimo rankena ir, kai tik pjovimo diskas pradės pjauti darbo ruošinį, apatinę apsaugą reikia paleisti. Pjaunant visais kitais būdais apatinė apsauga turi veikti automatiškai.
- d) **Visada patikrinkite, ar apatinė apsauga dengia pjovimo diską, prieš padėdami pjūklą ant darbatalio ar grindų.** Neapsaugotas besisukantis diskas atmes pjūklą atgal ir jis pjaus viską, kas atsidurs jo kelyje. Atkreipkite dėmesį, kiek trunka, kad pjovimo diskas sustotų po pagrindinio jungiklio atleidimo.

PAPILDOMOS SAUGOS NUORODOS

BENDRIEJI NURODYMAI

- Šį įrankį gali naudoti tik asmenys nuo 16 metų amžiaus.
- Šis įrankis netinka pjovimui šlapiuoju būdu.
- **Nepjaukite medžiagų, kurių sudėtyje yra asbesto (asbestos gali sukelti vėžį).**
- Kai kurių medžiagų, kaip antai dažų, kurių sudėtyje yra švino, kai kurių medžių rūšių medienos, mineralų ir

metalo dulkės gali būti kenksmingos (sąlytis su šiomis dulkėmis arba įkvėptos dulkės gali sukelti operatoriui arba šalia esantiems žmonėms alergines reakcijas ir (ar) kvėpavimo sistemos susirgimus); mūvėkite apsaugos nuo dulkių kaukę ir dirbdami naudokite dulkių ištraukimo įrenginį, jei jį galima prijungti.

- Kai kurių rūšių dulksės priskiriamos kancerogeninėms (pvz., ažuolo arba buko medienos dulkės), ypač susimaišiusios su medienos taurinimui naudojamais priedais; mūvėkite apsaugos nuo dulkių kaukę ir dirbdami naudokite dulkių ištraukimo įrenginį, jei jį galima prijungti.
- Vadovaukitės šalyje taikomų direktyvų reikalavimais, skirtais medžiagoms, su kuriomis norite dirbti.
- Nenaudokite šio pjūklą kartu su pjovimo stalu.
- Atlikdami bet kokius pakeitimus arba pavyzdžiui keisdami priedus, išimkite bateriją.

PRIEDAI

- SKIL gali garantuoti nepriekaištingą įrankio veikimą tik tuo atveju, jei naudojama originali papildoma įranga ir priedai.
- Jei pjovimo diskai yra skirti medienai ir jį panašioms medžiagoms, naudokite tik tokius diskus, kurie atitinka šioje naudojimo instrukcijoje pateiktas specifikacijas, yra patikrinti pagal EN 847-1 ir atitinkamai paženklinėti.
- Leidžiama naudoti tik tokius įrankius, kurių maksimalus leistinas sūkių skaičius yra ne mažesnis, nei maksimalus jūsų įrankio sūkių skaičius.
- **Naudokite tik tokius pjovimo diskus, kurių skersmuo yra tarp 115 mm ir 120 mm, o veleno angos skersmuo yra 9,5 mm.**
- Su šiuo įrankiu niekada nenaudokite šlifavimo diskų.
- Atsargiai naudokite ir laikykite priedus.
- Pjaunamai medžiagai parinkite tinkamą pjovimo diską.

PRIEŠ DARBĄ

- Saugokite, kad nesugadintumėte įrankio į sraigtus, vinis ir kitas kliūtis ruošinyje; prieš pradėdami darbą juos pašalinkite.
- Prieš pradėdami pjauti pašalinkite visas pjūvio linijoje esančias kliūtis tiek ruošinio viršuje, tiek ir apačioje.
- **Ruošinį saugiai įtvirtinkite** (spaustuvuose suspaustas ruošinys yra įtvirtintas geriau, nei laikomas ranka).
- **Su tinkamais iškiliškiais patikrinkite, ar darbo zonoje nėra paslėptų komunalinių tinklų vamzdžių, arba pasikvieskite į pagalbą vietinius komunalinių paslaugų tiekėjus** (sąlytis su elektros laidais gali sukelti gaisrą ir elektros smūgį; pažeidus dujotiekio vamzdį, gali įvykti sprogamas; pažeidus vandentiekio vamzdį, galima sugadinti turtą ir sukelti elektros smūgį).

DARBO METU

- Darbo metu triukšmo lygis gali viršyti 85 dB(A); naudokite klausos apsaugos priemones.
- Niekomet nenaudokite įrankio be originalios apsauginės įrangos.
- Nemėginkite pjauti labai mažų ruošinių.
- Nedirbkite su įrankiu iškelę jį virš galvos.
- Įrankių įstrigus ar atsiradus mechaninio ar elektrinio pobūdžio triktims, iš karto jį išjunkite ir išimkite bateriją.

PO DARBO

- Prieš padėdami įrankį jį išjunkite ir palaukite, kol visos besisukančios dalys visiškai sustos.
- Išjungę diskinį pjūklą, jo disko niekada nebandykite sustabdyti prie ko nors priglausdami.

BATERIJOS

- Pridedama baterija yra iš dalies įkrauta (kad baterija veiktų visa galia, prieš pirmą kartą naudodami savo elektrinį įrankį iki galo ją įkraukite, įstatę į bateriją

įkroviklį).

- Su šiuo įrankiu naudokite tik šias baterijas ir įkroviklius:
 - SKIL baterija: BR1*31****
 - SKIL įkroviklis: CR1*31****
- Nenaudokite pažeistų baterijų; jas būtina pakeisti.
- Baterijų neardykite.
- Nepalikite įrankio ir baterijos lietuje.
- Leistina aplinkos temperatūra (įrankio, įkroviklio, baterijos):
 - įkrovimo metu 4...40 °C
 - darbo metu -20...+50 °C
 - laikymo metu -20...+50 °C

SIMBOLIŲ ANT ĮRANKIO IR BATERIJOS PAAIŠKINIMAS

- ③ Prieš naudojant įrankį perskaityti instrukcijų vadovą.
- ④ Įmestos į ugnį baterijos gali sprogti; draudžiama baterijas deginti.
- ⑤ Laikyti įrankį / įkroviklį / bateriją vietoje, kurioje temperatūra neviršija 50 °C.
- ⑥ Elektrinius įrankius ir baterijas draudžiama išmesti kartu su buitinėmis atliekomis.

NAUDOJIMAS

- Baterijos įkrovimas
 - ! **Perskaitykite saugos įspėjimus ir instrukcijas, pateiktas kartu su įkrovikliu.**
 - Baterijos išėmimas ir įstatymas ②
 - Baterijos įkrovos indikatorius ⑦
 - paspauskite baterijos įkrovos indikatoriaus mygtuką AB, jei norite pamatyti baterijos įkrovos lygį ⑦a.
 - ! **Jei paspausdus mygtuką AB ⑦b pradeda mirksėti mažiausios baterijos įkrovos indikatorius, tai reiškia, kad baterija išsikrovusi.**
 - ! **Jei paspausdus mygtuką AB ⑦c pradeda mirksėti 2 baterijos įkrovos indikatoriai, tai reiškia, kad aplinkos temperatūra nėra leistiname darbo diapazone.**
- LED lemputė T ⑧
 - LED lemputė automatiškai užsidega paleidus įrankį.
 - ! **Jei LED lemputė pradeda mirksėti, tai reiškia, kad suveikė baterijos apsauga (žr. toliau).**
- Baterijos apsauga
 - Įrankis staiga išsijungia arba jo nepavyksta įjungti, jeigu:
 - **aprokva per didelę** --> pašalinkite apkrovą ir vėl paleiskite;
 - **baterija temperatūra nėra leistiname darbo diapazone nuo -20 °C iki +50 °C** --> paspausdus mygtuką AB pradeda mirksėti 2 baterijos įkrovos indikatoriai 7c; palaukite, kol baterijos temperatūra grįš į leistiną darbo diapazoną;
 - **baterija beveik išsikrovusi (apsauga nuo visiškų išsikrovimų)** --> paspausdus mygtuką AB rodomas žemas baterijos lygis arba mirksi žemo įkrovos lygio indikatorius; bateriją reikia pakeisti.
 - ! **Nelaikykite nuspaudę pagrindinio jungiklio, jei įrankis išsijungė automatiškai, nes galite sugadinti bateriją.**
- Pjovimo disko tvirtinimas ②
 - ! **Išimkite iš įrankio bateriją.**
 - išimkite šešiabriaunį raktą iš laikiklio B;
 - nuspauskite suklio blokavimo mygtuką ir laikykite nuspaudę, kol išimsite disko varžtą AA, pasukdami šešiabriaunį raktą LAIKRODŽIO RODYKLĖS KRYPTIMI (= ant pjovimo disko pažymėtos rodyklės

kryptimi);

! Suklio blokavimo mygtuką spauskite tik prietaisui sustojus.

- atleiskite suklio blokavimo mygtuką F.

- nuimkite jungę Z;

! Jungių prispaudimo plokštumos X turi būti visiškai švarios ir atsuktos į pjovimo diską.

- Svirtimi S atidarykite apatinę apsaugą W ir laikykite, kol uždėsite pjovimo diską taip, kad jo dantukai ir rodyklė būtų nukreipti ta pačia kryptimi, kaip ir rodyklė ant viršutinės apsaugos.

- atleiskite ir uždarykite apatinę apsaugą W;

- uždėkite jungę Z;

- paspauskite suklio blokavimo mygtuką F ir laikykite nuspaudę, kol šešiabriauniu raktu priveršite disko varžtą (priveržę ranka dar pasukite 1/8 apsisukimo – taip diskas galės praslysti pernelyg padidėjus apkrova ir sumažės variklio apkrova bei pjūklo atitranka);

- atleiskite suklio blokavimo mygtuką F.

• Pjovimo gylio nustatymas (0–41 mm) ④

- optimali pjovimo kokybė pasiekima tuomet, kai pjovimo diskas išsikiša ruošinio apačioje ne daugiau kaip per 3 mm;

- atsukite rankenėlę Q.

- pakelkite arba nuleiskite atramą M į pageidaujimą pjovimo gylį (pagal skalės indikatorius P);

- priveržkite rankenėlę Q.

• Pjovimo kampo reguliavimas (0–45°) ⑩

- atsukite rankenėlę U;

- įrankį paverskite norimu kampu, orientuodamiesi pagal žymeklio V padėtį skalėje;

- priveržkite rankenėlę U.

! Atliekant įstrižus pjūvius gylio skalėje pažymėtos padalos neatitinka tikrojo pjovimo gylio.

• Pjūvio žymeklis L ⑪

- padeda tiksliai vesti įrankį pagal ant ruošinio užbrėžtą liniją;

- tiesiam 0° arba įstrižam 45° pjūviui reikia naudoti atitinkamą žymeklio liniją.

! Didesnė atraminės plokštumos dalis turi gulti ant paremtos ruošinio dalies.

! Pjūvio plotis priklauso nuo pjūklo dantukų tako pločio, o ne nuo disko storio.

! Norėdami sužinoti tikrąjį pjūvio liniją, visuomet pirmiausiai atlikite bandomąjį pjūvį.

• Dulkių nusiurbimas ⑫

Jei naudojate dulkių siurblią:

- prijunkite dulkių siurblio žarną prie dulkių siurblio adapterio H.

! Dulkių siurblio žarna niekada neturi kliudyti apatinei apsaugai ar pjovimo procedūrai.

! Nenaudokite dulkių siurblio pjaudami metalą.

• Įrankio naudojimas

- įstatykite bateriją;

- visada tvirtai laikykite rankeną C;

- uždėkite prietaisą atraminės plokštelės priekine dalimi ant ruošinio;

! Pjūklo dantukai neturi remtis į ruošinį.

- įjunkite prietaisą, pirmiausiai nuspausdami mygtuką E (tai apsauginis jungiklis, kurio negalima užfiksuoti), o po to nuspausdami pagrindinį jungiklį D;

! Pjovimo diskas pirmiausia turi įsikutti visu greičiu ir tik po to jį galima spausti prie ruošinio.

- apatinę apsaugą W atsidaro automatiškai, kai pjovimo diskas įsipauna į ruošinį (atliekant specialius pjūvius, tokius kaip įleidžiami, apatinę apsaugą atidarykite rankiniu būdu su svirtimi S);

! Nespauskite įrankio (kad neperkaistų pjūklo dantukai, spauskite lengvai ir tolygiai).

! Dirbdami visada laikykite įrankį už sugriebimo vietų.

- užbaigę pjūvį išjunkite įrankį, atleisdami pagrindinį jungiklį D.

! Prieš atkeldami įrankį nuo ruošinio patikrinkite, ar pjovimo diskas visiškai sustojo.

NAUDOJIMO PATARIMAI

- Kad pjaunant medieną ir panašias į medieną medžiagas būtų kuo mažiau atplaišių, visuomet gerąją pusę nukreipkite žemyn.
- Pjovimo našumas ir pjovimo kokybė iš esmės priklauso nuo pjovimo disko būklės ir dantukų skaičiaus.
- Naudokite tik aštrius pjovimo diskus, tinkamus pjaunamai medžiagai ⑬
 - naudokite grūdinto plieno pjovimo diską AC ②, kai pjaunate medieną, aliuminį, plastiką ir visas medienos laminato rūšis;
 - deimantinį diską AD ② naudokite keramikai ir plytelėms pjaustyti;
 - pjūklo diskai su kietydinio dantukais Y ② išlieka aštrūs iki 30 kartų ilgiau, nei įprastiniai diskai.
- Lygiagreči atrama J ⑭
 - skirta tiksliems lygiagrečiams pjūviams pagal ruošinio kraštą;
 - įkiškite pro pagrindinio priekyje esančius griovelius. Lygiagrečios atramos nustatymas
 - šešiabriauniu raktu A atsukite varžtą K;
 - naudodami lygiagrečios atramos skalę, nustatykite norimą pjovimo plotį (pjūvio žymeklį L naudokite kaip „0° žymę“);
 - priveržkite varžtą K.
- Pjovimas įleidžiant pjūklą ⑮
 - nustatykite norimą pjovimo gylį;
 - paverskite įrankį į priekį taip, kad pjūvio žymeklis tiksliai atitiktų reikiamą pjūvio liniją, užbrėžtą ant ruošinio;
 - svirtimi S atidarykite apatinę apsaugą W;
 - prieš pat pjūklo dantukams prasiličiant prie ruošinio, įjunkite pjūklą ir, iš lėto nuleisdami galinę įrankio dalį, įpaukite ruošinį; priekinė atraminės plokštelės dalis visą tą laiką turi būti atremta į ruošinį ir naudojama kaip atramos vieta;
 - įleidę pjovimo diską į ruošinį, po truputį pjūklą stumkite ir į priekį;
 - kai diskas įsipauna į ruošinį, atleiskite svirtelę S.
- Didelių plokščių pjaustymas ⑯
 - plokštę atremkite netoli pjūvio linijos, paguldę ją ant grindų, stalo ar darbatalio;
- **! Pjovimo gylį nustatykite taip, kad perpjautumėte tik plokštę, bet neįpjautumėte atramos, ant kurios ji guli;**
 - jei lygiagrečios atramos nepakanka norimam pjovimo pločiui nustatyti, prie ruošinio prispauskite ar prikalkite tiesią medinę juostelę, kurią panaudokite kaip kreipiančiąją linuotę; priglauskite prie jos kairįjį atraminės plokštelės kraštą ⑰.

- Дагвиу информацийос расите интернетe www.skil.com.

TECHNINĖ PRIEŽIŪRA IR REMONTAS

- Šis įrankis neskirtas profesionaliam naudojimui.
- Įrankis visada turi būti švarus (ypač ventiliacinės angos N).
- ! **Prieš valydami išimkite iš įrankio bateriją.**
- Plotas aplink apatinę apsaugą W ② būtų visada turi būti švarus (dulkes ir pjūvenas išpūskite suspaustu oru arba nuvalykite šepetėliu).
- Po pjovimo iš karto nuvalykite pjovimo diską (ypač nuo dervų bei lakų liekanų).
- Jeigu įrankis, nepaisant gamykloje atliekamo kruopštaus gamybos ir kontrolės proceso, vis dėlto sugestų, jo remontas turi būti atliekamas įgaliotose SKIL elektrinių įrankių remonto dirbtuvėse:
 - neišardytą įrankį kartu su pirkimo čekiu siųskite įrankio pardavėjui arba į artimiausią SKIL įmonės įgaliotą techninės priežiūros centrą (adresus bei atsarginių dalių brėžinius rasite www.skil.com).
- Turėkite omeny, kad garantija netaikoma, jei gedimas atsiranda dėl perkrovos ar netinkamo naudojimo (dėl SKIL garantijos sąlygų žr. www.skil.com arba kreipkitės į pardavėją).

APLINKOSAUGA

- Nemeskite elektrinių įrankių, baterijų, papildomos įrangos ir pakuočių į buitinių atliekų konteinerius (galioja tik ES valstybėms):
 - pagal ES Direktyvą 2012/19/EB dėl naudotų elektrinių ir elektroninių prietaisų atliekų utilizavimo ir pagal galiojančius nacionalinius įstatymus netinkami naudoti elektriniai įrankiai turi būti surenkami atskirai ir pristatyti į tokių atliekų surinkimo vietas;
 - simbolis ⑥ primins apie tai, kai tokią įrangą reikia išmesti.
- ! **Prieš išmesdami bateriją izoliuokite jos kontaktus, kad neįvyktų trumpasis jungimas.**

TRIUKŠMAS IR VIBRACIJA

- Išmatavus pagal EN62841 šio įrankio garso slėgio lygis yra 96 dB(A), garso galios lygis yra 107 dB(A) (neapibrėžtis K = 3 dB), o vibracija * (triašio vektoriaus suma; neapibrėžtis K = 1,5 m/s²).
 - * medienos pjovimas < 2,5 m/s²
 - * metalo pjovimas < 2,5 m/s²
- Vibracijos sklaidos lygis išmatuotas pagal standarte EN 62841 išdėstytus standartizuoto bandymo reikalavimus; ši vertė gali būti naudojama vienam įrankiui palyginti su kitu bei išankstiniams vibracijos poveikiui įvertinti, kai įrankis naudojamas paminėtais būdais:
 - naudojant įrankį kitokiais būdais arba su kitokiais bei netinkamai prižiūrimais priedais, gali ženkliai išaugti poveikio lygis;
 - kai įrankis išjungtas arba yra įjungtas, tačiau juo nedirbama, gali ženkliai sumažėti poveikio lygis.
- ! **Apsisaugokite nuo vibracijos poveikio prižiūradami įrankį ir jo priedus, laikydami rankas šiltai ir derindami darbo ciklus su pertraukėlėmis.**

МК

Компактна пила без четки за обработка на различни материјали

3540

УПАТСТВО

- Овој алат е наменет за надолжно и попречно сечење дрво, иверка, фурнир, алуминиум, плочки, камен, пластика и лесни градежни материјали со прави засеци, како и со аголни засеци до 45
- Овој алат не е наменет за професионална употреба.
- Внимателно прочитајте го и зачувајте го ова упатство за ракување. ③

ТЕХНИЧКИ ПОДАТОЦИ ①

ЕЛЕМЕНТИ НА АЛАТОТ ②

- A Хексагоналн клуч
- B Лежиште за хексагоналн клуч
- C Рачка
- D Прекинувач за активирање
- E Сигурносен прекинувач
- F Копче за заклучување на вретеното
- G Отвор за отстранување на прашината
- H Адаптер за правосмукалната
- J Странична ограда
- K Завртка за прилагодување на странична ограда
- L Индикатор за подесување на линијата на сечењето
- M Ножна педала
- N Отвори за вентилација
- P Индикатор за длабочината на сечењето
- Q Копче за одредување на длабочината на сечење
- R Горен штитник
- S Рачка за отворање на долниот штитник
- T ЛЕД-светилка
- U Регулатор за прилагодување на аголот за сечење
- V Индикатор за аголот на сечењето
- W Долен штитник
- X Површина за зафаќање
- Y Сечило на пила со карбиден врв
- Z Штитник
- AA Резе на сечилото
- AB Копче за индикаторот за нивото на батеријата
- AC Цврсто челично сечило на пилата
- AD Дијамантски диск

БЕЗБЕДНОСТ

ОПШТИ ПРЕДУПРЕДУВАЊА ЗА БЕЗБЕДНОСТ НА ЕЛЕКТРИЧНИТЕ АЛАТИ

⚠ ПРЕДУПРЕДУВАЊЕ Прочитајте ги сите безбедносни предупредувања, упатства, слики и спецификации што се обезбедуваат со овој алат. Непочитувањето на сите упатства подолу може да доведе до електричен удар, пожар и/или сериозна повреда.

Чувајте ги сите предупредувања и упатства за

понатамошно упатување.

Поимот „електричен алат“, кој се користи во предупредувањата, се однесува на вашиот електричен алат (со приклучен кабел) или на електричен алат со погон на батерии (без приклучен кабел).

1) БЕЗБЕДНОСТ НА РАБОТНОТО МЕСТО

- a) **Одржувајте го работното место чисто и добро осветлено.** Неуреден или темен работен простор може да предизвика незгоди.
- b) **Немојте да работите со електрични алати во средини во кои има опасност од експлозија, како на пример во кои има запалливи течности, гасови или прашина.** Електричните алати создаваат искри коишто може да запалат прашина или испарувања.
- c) **Држете ги децата и другите лица подалену додена ранувате со електричен алат.** Може да изгубите контрола ако нешто ви го одзема вниманието.

2) ЕЛЕКТРИЧНА СИГУРНОСТ

- a) **Приклучоците за електричниот алат мораат да одговараат на штекерот.** Никогаш на никакв начин не го менувајте приклучокот. Не користете никакви адаптери за приклучоци со (заземјени) електрични алати. Немодифицираните приклучоци и соодветните штекери ќе ја намалат опасноста од струен удар.
- b) **Избегнувајте допир на телото со заземјени површини, како што се цевки, радијатори, шпорети и фрижидери.** Постои зголемена опасност од струен удар, доколку вашето тело е заземјено.
- c) **Не ги изложувајте електричните алати на дожд или влага.** Продирањето на вода во електричниот уред ќе ја зголеми опасноста од струен удар.
- d) **Немојте да го злоупотребувате кабелот за напојување.** Никогаш не го користете кабелот за напојување за носење, влечење или исклучување на електричниот алат. Чувајте го кабелот за напојување подалену од топлина, масло, остри ивици или подвижни делови. Оштетените или заплетканите кабли за напојување ја зголемуваат опасноста од струен удар.
- e) **Нога го употребувате електричниот алат надвор, користете продолжен кабел кој е соодветен за употреба на отворен простор.** Користењето на кабел соодветен за работа на отворен простор ја намалува опасноста од струен удар.
- f) **Доколку не може да се избегне работа со електричниот алат во влажна средина, користете заштитен уред што работи на резидуална струја (RCD).** Употребата на RCD ја намалува опасноста од струен удар.

3) ЛИЧНА ЗАШТИТА

- a) **Бидете внимателни, внимавајте што правите и постапувајте разумно додена работите со електричниот алат.** Никогаш не работете со електричен алат ако сте уморни или под влијание на дрога, алкохол или лекови. Момент на невнимание при работење со електрични алати може да доведе до сериозна лична повреда.
- b) **Носете лична заштитна опрема.** Секогаш носете

заштитни очила. Носењето на заштитна опрема, како што е маска за прашина, безбедносни обувки кои не се лизгаат, заштитен шлем или штитници за уши, употребени во соодветни услови, ја намалуваат опасноста од лични повреди.

- c) **Спречете случајно вклучување. Осигурете се дека прекинувачот е на позицијата off (исклучено) пред приклучувањето на изворот на напојување и/или батеријата, подигнувањето или носењето на алатот.** Носењето на електричниот алат со вашиот прст на прекинувачот или вклучување на електрични алати со прекинувачот поставен на позиција on (приклучено) доведува до несреќи.
 - d) **Пред вклучување на електричниот алат отстранете ги сите клучеви за подесување или алати за навртување.** Алат или клуч што е оставен прикачен на ротациониот дел на уредот, може да доведе до лична повреда.
 - e) **Не посегнувајте преку одредената граница.** Цело време одржувајте правилен став и рамнотежа. На тој начин можете подобро да го контролирате електричниот алат во неочекувани ситуации.
 - f) **Чувајте ги косата и обленката подалену од подвижните делови.** Широката облека, накитот или долгата коса може да се фатат во подвижните делови.
 - g) **Доколку се обезбедени уреди за приклучување на апарати за вшмукување и собирање прашина, осигурете се дека тие се правилно приклучени и користени.** Користењето на уреди за собирање прашина може да ги намали опасностите поврзани со прашиката.
 - h) **Не дозволувајте искуството стекнато со честата употреба на алатите да ве направи невнимателни и да ги игнорирате безбедносните принципи при нивното користење.** Невнимателната активност може да предизвика сериозна повреда во дел од секунда.
- ### 4) УПОТРЕБА НА ЕЛЕКТРИЧНИ АЛАТИ И ГРИЖА ЗА НИВ
- a) **Не преоптоварувајте го електричниот алат.** Користете ја правилната електрична алатна наменета за вашата работа. Со соодветниот електричен алат ќе ја завршите работата подобро и побезбедно во однос на тоа за што е наменет.
 - b) **Не користете го електричниот алат ако прекинувачот не може правилно да се вклучи и исклучи.** Секој електричен алат кој не може да се контролира со помош на приклучок е опасен и мора да се поправи.
 - c) **Исклучете го електричниот алат од струја и/или извадете го комплетот со батерии од електричниот алат, ако се одделува, пред да правите некакви прилагодувања, менувајте дополнителна опрема или да ги складирате електричните алати.** Со овие превентивни безбедносни мерки се намалува опасноста од случајно вклучување на електричниот алат.
 - d) **Складирајте ги електричните алати во мирување надвор од дофатот на деца и не им допуштајте работа со уредот на лица кои не се запознаени со него или кои го немаат прочитано ова**

упатство. Електричните алати се опасни доколку со нив работат нестручни лица.

- e) **Одржувајте ги електричните алати и дополнителната опрема. Проверете дали има изместување или заглавување на подвижните делови, дали некои делови се скршени или се во некоја друга состојба што влијае врз работата на електричниот алат. Ако е оштетен, однесете го алатот на поправка пред да го користите.** Многу несреќи се случуваат заради неодржуван електричен алат.
- f) **Алатите за сечење одржувајте ги остри и чисти.** Внимателно одржувањето алати за сечење со остри ивици помалку ќе се заглавуваат и полесно се контролираат.
- g) **Електричниот алат, дополнителната опрема, работните алати итн., треба да ги користите според овие упатства, земајќи ги во предвид работните услови и работата која треба да се заврши.** Употребата на електричниот алат за работи што се поинакви од неговата намена може да доведе до опасна ситуација.
- h) **Одржувајте ги рачките и површините за фаќање суви, чисти и без масло и маст на нив.** Рачките и површините за држење што се лизгаат не овозможуваат безбедно ракување и контрола на алатот во неочекувани ситуации.
- 5) **КОРИСТЕЊЕ НА АЛАТ НА БАТЕРИИ И ГРИЖА ЗА НЕГО**
 - a) **Вршете полнење само со полначот што е пропишан од страна на производителот.** За полначот кој е соодветен за еден вид на батерии, постои опасност од пожар, доколку се употребува со други батерии.
 - b) **Користете ги електричните алати само со посебно назначени батерии.** Користењето на било кои други батерии може да доведе до опасност од повреда и пожар.
 - c) **Нога батериите не се користат, држете ги настрана од метални предмети како што се спајалици за хартија, парички, клучеви, нлинци, навртки или други, мали метални предмети кои можат да спојат еден пол со друг.** Краткиот спој на половите на батериите може да предизвика изгореници или пожар.
 - d) **Во услови на злоупотреба може да дојде до исфрлање на течност од батеријата; избегнувајте контакт. Ако дојде до случаен контакт, измијте го местото со вода.** Ако течност дојде во контакт со очите, дополнително побарајте и лекарска помош. Течноста која истекува од батеријата може да предизвика иритација или изгореници.
 - e) **Не употребувајте комплет со батерии или алат којшто е оштетен или изменет.** Оштетените или изменетите батерии можат да реагираат непредвидливо и да предизвикаат пожар, експлозија или опасност од повреда.
 - f) **Не изложувајте го комплетот со батерии или алатот на оган или висока температура.** Изложувањето на оган или температура над 130°C може да предизвика експлозија.
 - g) **Следете ги сите упатства за полнење и не полнете го комплетот со батерии или алатот**

надвор од температурниот опсег наведен во инструкциите. Неправилното полнење или полнењето на температура што е надвор од наведениот опсег, може да ја оштети батеријата и да ја зголеми опасноста од пожар.

6) СЕРВИСИРАЊЕ

- a) **Електричниот алат сервисирајте го најквалификувано лице кое користи само идентични резервни делови.** Со ова се обезбедува безбедно одржување на електричниот алат.
- b) **Никогаш не поправајте ги оштетените комплекти со батерии.** Поправката на комплетите со батерии треба да ја врши само производителот или некој овластен сервис.

БЕЗБЕДНОСНИ УПАТСТВА ЗА КРУЖНИ ПИЛИ

Постапки за сечење

- a) **ОПАСНОСТ: Држете ги рацете подалеку од областа за сечење и од сечилото.** Ако двете раце ја држат пилата, не може да бидат исечени со сечилото.
- b) **Не посегнувајте под работното парче.** Штитникот не може да ве заштити од сечилото под работното парче.
- c) **Прирагодете ја длабочината на сечењето на дебелината на работното парче.** Под работното парче треба да се гледа помалку од цел забец на сечилото.
- d) **Никогаш не држете го работното парче во вашите раце или преку ногата додена сечете.** Прицврстете го работното парче на стабилна платформа. Важно е да имате стабилна потпора во текот на работата за да се намали изложување на телото, заглавување на сечилото или загуба на контролата.
- e) **Држете го електричниот апарат за изолираните површини за фаќање нога изведувате работи при кои алатот за сечење може да дојде во контакт со скриени жици.** При контакт со жица под напон, назаштитените метални делови на електричниот алат исто така ќе бидат под напон и може да предизвикаат струен удар кај операторот.
- f) **При надолжно сечење, сеногаш користете ограда за надолжно сечење или водилна со рамен раб.** Така ќе ја подобрите прецизноста на сечењето и ќе го намалите ризикот од заглавување на сечилото.
- g) **Сеногаш користете сечила со правилна големина и форма (дијамант наспроти круг) на отворите за прицврстување.** Сечилата што не се совпаѓаат со монтажните елементи на пилата ќе се вртат ексцентрично, предизвикувајќи губење на контролата.
- h) **Никогаш не користете оштетени или неисправни запчаници или резина за сечилата.** Запчаниците и резината за сечила се посебно дизајнирани за вашата пила, заради оптимални перформанси и безбедност при ракување.

Причини за повратен удар и поврзани предупредувања

- Повратниот удар претставува ненадејна реакција на приклезтено, заглавено или лошо порамнето сечило на пилата, што предизвикува подигање на неконтролираната пила од работното парче кон оној кој ракува со пилата.
- Кога сечилото ќе се приклезти или цврсто ќе се заглави при затворање на засекот, сечилото застанува и моторот забрзано ја води единицата наназад кон оној кој ракува со пилата.
- Доколку сечилото се повлече навнатре или не е порамнето со површината која се сече, запците на задниот раб на сечилото може да се забијат во горната површина на дрвото и да предизвикаат дигање на сечилото од засекот и отскокнување кон оној кој ракува со пилата.

Повратниот удар произлегува како резултат од неправилно ракување и/или неправилни процедури или услови при работата со пилата, и може да се избегне со преземање на соодветни мерки на претпазливост кои се наведени во понатамошниот текст.

- a) **Одржувајте цврст зафат на пилата и поставете ги рацете на тој начин со којшто ќе си овозможите да ја издржите силата на повратниот удар. Поставете го телото на двете страни на сечилото, но не во линија со сечилото.** Повратниот удар може да доведе до отскокнување на пилата наназад, но лицето кое ракува со неа може да ги контролира реакциите од силата на повратниот удар, ако ги преземе неопходните мерки на претпазливост.
- b) **Кога сечилото се заглавува или кога прекинувате со сечење од која било причина, исклучете ја пилата и држете ја без да ја поместувате додека сечилото не застане сосема. Никогаш не обидувајте се да ја извадите пилата од работното парче или да ја повлечувате наназад додека сечилото се движи, во спротивно може да дојде до повратен удар.** Проверете и преземете корективни дејства за да ја елиминирате причината за заглавување на сечилото.
- c) **При рестартирање на пилата во работното парче, центрирајте го сечилото на пилата во прорезот така што забите на пилата да не се во контакт со материјалот.** Ако се заглави сечилото на пилата, може да оди нагоре или да се поврати од работното парче додека пилата се рестартира.
- d) **Потпрете ги големите панели за да го сведете ризикот од приклезтување и повратен удар на сечилото на минимум.** Големите панели за работа имаат тенденција да се виткаат под сопствената тежина. Потпорите мора да се постават под панелот на двете страни, близу до линијата за сечење и близу работ на панелот.
- e) **Не користете тапи или оштетени сечила.** Ненаоштрени или неправилно поставени сечила може да доведат до тесен засек и да предизвикаат прекумерно триење, заглавување на сечилото или повратен удар.
- f) **Рачките за заклучување на длабочината на сечењето и подесување на носината мора да бидат цврсти и обезбедени, пред почетокот на сечењето.** Ако прилагодувањето на сечилото се помести додека сечете, тоа може да предизвика

заглавување и повратен удар.

- g) **Обрнете особено внимание кога сечете со пилата во постојни ѕидови или други слепи области.** Сечилото што произлегува може да пресече објекти коишто предизвикуваат повратен удар.

Функција на долниот штитник

- a) **Проверете дали долниот штитник е добро затворен пред секоја употреба. Не вклучувајте ја пилата ако долниот штитник не се движи слободно и не се затвора веднаш. Никогаш не стегајте го или врзувајте го долниот штитник во отворена положба.** Долниот штитник може да се свитка ако пилата случајно падне. Подигнете го долниот штитник со рачката за вовлекување и проверете дали се движи слободно и дали ги допира сечилото или некој друг дел по сите агли и длабочини на сечење.
- b) **Проверете ја работата на пружината на долниот штитник. Ако заштитата и федерот не работат правилно, мора да се сервисираат пред употребата.** Долниот штитник може да работи бавно заради оштетени делови, гумени наслагы или наталожен отпаден материјал.
- c) **Долниот штитник може да се повлече рачно само за посебни засеци како што се „засеци со убад“ и „сложени засеци“.** Подигнете го долниот штитник со рачката за вовлекување и штом сечилото ќе влезе во материјалот, долниот штитник мора да се ослободи. За сите други видови на сечење, долниот штитник треба да работи автоматски.
- d) **Секогаш внимавајте долниот штитник да го покрие сечилото пред да ја слуштите пилата на клупа или на подот.** Незаштитениот раб на сечилото ќе доведе до повратен удар на пилата, сечејќи се на патот. Внимавајте на времето коешто е потребно да застане сечивото откако ќе се отпушти прекинувачот.

ДОПОЛНИТЕЛНИ БЕЗБЕДНОСНИ ПРЕДУПРЕДУВАЊА

ОПШТИ

- Овој алат не треба да го користат лица под 16 години
- Овој алат не е подесен за сечење во присуство на влага
- **Не обработувајте никаков материјал кој содржи азбест (азбестот важи за предизвикувач на рак)**
- Прашината од материјали како боја која содржи олово, некои видови дрво, минерали и метали, може да биде штетна за здравјето (контактот со прашиката или нејзиното вдишување може да предизвика алергиски реакции и/или болести на дишните органи за оној кој работи со алатот или луѓето во близина); носете маска за прашина и работете со правосмукалки доколку можете да ги поврзете
- Некои видови на прашина се канцерогени (како на пример прашиката од даб или бука), особено заедно со адитиви за одржување на дрвото; носете маска за прашина и работете со правосмукалки доколку можете да ги поврзете
- Следете ги процедурите на вашата земја за

прашината која се јавува како резултат од материјалите со кои работите

- Не ја користете оваа пила во комбинација со маса за пила
- Отстранете ја батеријата од алатот пред секое подесување или промена на приборот

ДОПОЛНИТЕЛНА ОПРЕМА

- SKIL може да признае гаранција само доколку е користен оригинален прибор
- Користете само сечила за пила, кои одговараат на наведените податоци во ова упатство за употреба или се проверени и означени според EN 847-1, доколку се наменети за дрво и материјали слични на дрво.
- Користете само прибор чија дозволена брзина е во најмала рака еднаква на најголемата брзина при празен од на електричниот алат
- **Користете само сечила за пили/дискови за сечење со минимален дијаметар од 115 мм, со максимален дијаметар од 120 мм и отвор на вретеното од 9.5 мм**
- Никогаш не користете дискови за стругање со овој алат
- Внимателно ракувајте и чувајте приборот
- Идентификувајте го правилното сечило на пилата што треба да се користи за материјалот што треба да се сече.

ПРЕД УПОТРЕБА

- Избегнувајте оштетувања од штрафови, шајки и други предмети во работното парче; тргнете ги пред да почнете со работа
- Пред да почнете со сечење, отстранете ги сите пречки на и под местото каде сечете
- Зацврстете го работното парче (обработка која е зацврстена со стеги или во менгема е побезбедна отколку да ја држите со раце)
- Користете соодветни детектори за наоѓање на скриени инсталации или повикајте соодветна компанија за помош (контактот со електричните линии може да доведе до струен удар; оштетувањата во гасоводна цевка може да резултира со експлозија; пенетрирање во водоводна инсталација може да доведе до оштета на предмети или електричен удар)

ВО ТЕКОТ НА УПОТРЕБАТА

- Нивото на бучава додека работите може да изнесува повеќе од 85 dB(A); носете заштита за ушите
- Никогаш не користете електричен алат без оригинален систем за заштита
- Не се обидувајте да сечете многу мали материјали
- Не работете со овој алат држејќи го над главата
- Во случај да дојде до заглавување или електричен или механички дефект, веднаш исклучете го алатот и отстранете ја батеријата

ПО УПОТРЕБА

- Кога ќе ја завршите работата со алатот, исклучете го моторот и проверете дали сите подвижни делови се застанати
- По исклучувањето на циркуларната пила, никогаш немојте да го сопирате вртењето на пилата со сила

БАТЕРИИ

- Обезбедена батерија е делумно наполнета (за да се обезбеди целосен капацитет на батеријата, целосно наполнете ја батеријата во полначот на батеријата, пред за првпат да го употребите вашиот електричен алат)
- Користете ги исклучиво следниве батерии и полначи

со овој алат

- Батерија SKIL: BR1*31****
- Полнач SKIL: CR1*31****

- Оштетената батерија не треба и понатаму да се користи; треба да се замени
- Не расклопувајте ја батеријата
- Никогаш не изложувајте ги на дожд алатот/батеријата
- Дозволена температура на околината (алатка/полнач/батерија):
 - при полнење 4...40°C
 - при работа -20...+50°C
 - при складирање -20...+50°C

ОБЈАСНУВАЊЕ НА СИМБОЛИТЕ ЗА АЛАТОТ/БАТЕРИЈАТА

- 3 Пред употреба прочитајте го прирачникот за употреба
- 4 Батериите може да експлодираат ако се изложат на оган, па затоа никако не палете ја батеријата
- 5 Секогаш чувајте ги алатот/полначот/батеријата на места со температура пониска од 50°C
- 6 Не фрлајте ги електричните алати и батериите заедно со домашниот отпад

УПОТРЕБА

- Полнење на батеријата
! прочитајте ги безбедносните предупредувања и упатствата дадени со полначот
- Вадење/ставање на батеријата ②
- Индикатор за нивото на батеријата ⑦
 - притиснете го копчето за индикаторот за нивото на батеријата AB за да се прикаже тековното ниво на батеријата ⑦a
 - ! ако по притиснање на копчето AB ⑦b почне да трепка индикаторот за најниско ниво на батеријата, тогаш батеријата е празна**
 - ! нога ќе почнат да трепкаат 2 нивоа на индикаторот на батеријата по притиснање на копчето AB ⑦c, батеријата не е во рамките на дозволеният опсег за работна температура**
- ЛЕД-светло T ⑧
- ЛЕД-светлото автоматски се вклучува кога ќе се активира прекинувачот за вклучување/исклучување
! нога започнува да трепка ЛЕД-светлото, се активира заштитата на батеријата (види подолу)
- Заштита на батеријата
Алатот наеднаш се исклучува или не може да се вклучи, кога
 - **оптоварувањето е преголемо** -> отстранете го оптоварувањето и почнете повторно
 - **температурата на батеријата не е во рамките на дозволеният опсег на работна температура од -20 до +50°C** --> 2 нивоа на индикаторот за ниво на батеријата почнуваат да трепкаат кога ќе го притиснете копчето AB 7c; почекајте батеријата да се врати во рамките на дозволеният опсег на работна температура
 - **батеријата е скоро празна (заштита од целосно празнење)** --> на индикаторот за нивото на батеријата или ќе трепка за ниско ниво на батеријата ub кога ќе притиснете на копчето AB; наполнете ја

- батеријата
- ! **не продолжувајте да притискате на пренинувачот за вклучување/исклучување откако алатот автоматски ќе се исклучи; батеријата може да се оштети**
- Монтирање на сечилото за пилата ②
 - ! **извадете ја батеријата од алатот**
 - земете хексагонален клуч А од складот В
 - притиснете го копчето за заклучување на вретеното F и држете го додека го отстранувате резето на сечилото AA со вртење на хексагоналниот клуч А ВО ПРАВЕЦ НА СТРЕЛКИТЕ НА ЧАСОВНИКОТ (= во истиот правец како и стрелката отпечатена на сечилото на пилата)
 - ! **копчето за заклучување на вретеното F притиснете го само кога алатот целосно ќе застане**
 - пуштете го копчето за заклучување на вретеното F
 - отстранете го штитникот Z
 - ! **проверете дали површините со спрегите X на штитникот се целосно чисти и свртени кон сечилото**
 - отворете го долниот штитник W со рачката S и држете го додека го поставувате сечилото за пилата со запците и стрелката коишто се отпечатени на сечилото насочени во ист правец како и стрелката на горниот заштитник
 - олабавете го долниот штитник W
 - поставете го штитникот Z
 - притиснете го копчето за заклучување на вретеното F и држете го притиснато додека го прицврстувате резот на сечилото со помош на хексагонален клуч за 1/8 вртења по што треба да затегнете со прстите (така се осигурува лизгањето на сечилото на пилата кога ќе дојде до прекумерен отпор и оптеретување на моторот и повратен удар на пилата)
 - пуштете го копчето за заклучување на вретеното F
- Подесување на длабочината на сечењето (0-41 мм) ⑨
 - заради оптимален квалитет на сечењето, сечилото на пилата не би требало да биде подолго од 3 мм под работното парче
 - разлабавете го копчето Q
 - подигнете/спуштете ја педалата M додека не ја подесите саканата длабочина за сечење на скалата, со користење на индикаторот P
 - затегнете го копчето Q
- Подесување на аголот на сечење (0-45°) ⑩
 - разлабавете го копчето U
 - навалувајте го алатот додека не го подесите саканиот агол на сечење на скалата, со користење на индикаторот V
 - затегнете го копчето U
 - ! **при косо сечење, длабочината на сечењето не одговара на вредностите на прикажаната скала за длабочина на сечењето**
- Индикатор за подесување на линијата на сечењето L ⑪
 - за водење на електричниот алат низ саканата линија означена на работното парче
 - за рамно сечење под агол од 0° или косо

- сечење под агол од 45° користете ја линијата на индикаторот
- ! **широкиот дел на педалата би требало да стои на потпирачот на работното парче**
- ! **шибочината на сечењето се определува со широчината на запците на сечилото, а не со широчината на листот на сечилото**
- ! **секогаш најпрво извадете пробно сечење за да ја проверите вистинската линија на сечењето**
- Вшмукување прашина ⑫
 - За употреба на правосмукалка
 - поврзете го цревето за чистење на правосмукалната со адаптерот за правосмукалка N
 - ! **никогаш не дозволувајте цревето на правосмукалната да дојде во допир со долниот штитник или со операцијата на сечење**
 - ! **не користете правосмукалната кога сечете метал**
- Работа со алатот
 - монтирајте ја батеријата
 - секогаш цврсто држете ја рачката C
 - поставете го електричниот алат со предниот крај на рамното ниво на работното парче
 - ! **проверете запците на пилата да не се закачени во работното парче**
 - вклучете го алатот прво со притискање на копчето E (= безбедносен прекинувач којшто не може да се заклучи) и потоа повлечете го прекинувачот за активирање D
 - ! **електричниот алат би требало да се наоѓа во полна брзина пред сечилото да дојде во допир со работното парче**
 - долниот штитник W автоматски се отвара кога сечилото продира во работното парче (рачно отворете го долниот штитник со помош на рачката S, само за посебни видови сечење, на пример за длабинско сечење)
 - ! **не применувајте сила врз алатот (применете лесен и континуиран притисок за да избегнете прегревање на врвовите на сечилата)**
 - ! **додека работите, секогаш држете го алатот за местото (местата) за држење**
 - по завршувањето на сечењето, исклучете го алатот со пуштање на прекинувачот D
 - ! **пред да го подигнете алатот од работното парче, проверете дали е дојдено до целосен прекин на работата на сечилото**

СОВЕТИ ЗА ПРИМЕНА

- Добрата страна на работното парче секогаш вртете ја надолу, за да обезбедите минимално создавање на деланки при сечење на дрво и материјали слични на дрво.
- Перформансите на пилата и квалитетот на сечењето во суштина зависат од состојбата на сечилото на пилата и бројот на забите на него.
- Користете само остри сечила за пила кои се соодветни за материјалот што се сече ⑬
 - користете цврсто челично сечило за пила AC ② за сечење дрво, алуминиум, пластика и сите видови на ламинати
 - користете дијамантски диск AD ② за сечење керамика и плочки

- сечилата со карбиден врв Y (2) остануваат остри 30 пати подолго од обичните сечила
- Странична ограда J (14)
 - за правеење на точни засеци низ работ на работното парче
 - вметнете ја низ отворите на предниот крај на педалата
- Подесување на страничната ограда
 - олабавете ја завртката K со помош на хексагоналниот клуч A
 - подесете ја саканата широчина за сечење со помош на скалата на страничната ограда (употребувајте индикатор за линија за сечење L како нулта положба)
 - затегнете ја завртката K
- Сечење со заронување (15)
 - подесете ја саканата длабочина за сечење
 - навалете го алатот правилно со индикаторот за линијата за сечење L паралелно со саканата линија за сечење означена на работното парче
 - отворете го долниот штитник W со користење на рачката S
 - непосредно пред сечилото да го допре работното парче, вклучете го електричниот алат и постепено спуштајте го задниот крај на алатот, со користење на предниот крај на нивото како показател
 - постепено движете го алатот надолу и напред
 - штом сечилото ќе допре во материјалот, пуштете ја рачката S
- ! **никогаш не турнајте го алатот кон назад**
- Сечење на големи плочи (16)
 - поставете ја плочата близу сечењето на под, маса или работна маса
- ! **подесете ја длабочината на сечењето така што ќе сечете низ плочата, а не низ потпората**
- во случај страничната ограда да не ја овозможува саканата широчина за сечење, со спрега или со клинец закачете рамно парче дрво на работното парче, како водилка, и користете ја левата страна на педалата со оваа водилка (17)
- За повеќе информации видете на www.skil.com

ОДРЖУВАЊЕ/СЕРВИСИРАЊЕ

- Овој алат не е наменет за професионална употреба
- Алатот секогаш да се одржува чист (особено отворите за ладење N)
 - ! **отстранете ја батеријата од алатот пред чистење**
- Секогаш одржувајте ја областа околу долниот штитник W 2 чиста (отстранете ги прашината и деланките со раздување со компримиран воздух или со четка)
- Сечилото на пилата исчистете го непосредно по користењето (особено од смола и лепак)
- Доколку алатот и покрај внимателното работење и контрола некогаш откаже, поправката мора да ја изврши некој овластен SKIL сервис за електрични алати
 - испратете го алатот нерасклопен, заедно со сметкопотврдата, до вашиот продавач или најблискиот овластен SKIL сервис (адресите и сервисниот дијаграм за алатот се наведени на www.skil.com)

- Имајте предвид дека оштетувањето настанато заради преоптоварување или неправилно ракување со алатот не е опфатено со гаранцијата (видете на www.skil.com или прашајте го продавачот за условите на гаранцијата на SKIL)

ЗАШТИТА НА ЖИВОТНАТА СРЕДИНА

- Не фрлајте електрични алати, батерии, дополнителна опрема и амбалажа заедно со домашниот отпад (само за земјите на ЕУ)
 - поред Европската Директива 2012/19/ЕЗ за ослободување од електрична и електронска опрема и нејзина имплементација во согласност со националните закони, електричните алати кои го достигнале крајот на својот животен век мора да бидат собрани посебно и да бидат вратени во објект за рециклирање кој е компатибилен со животната средина
 - симболот (6) ќе ве потсети на тоа, кога ќе дојде време да го отстраните
- ! **пред да се фрли батерија во отпад, заштитите ги нејзините полови со дебела лента за да се спречи краток спој**

БУЧАВА/ВИБРАЦИИ

- Измерено во согласност со EN 62841, нивото на звучен притисок на овој алат е 96 dB(A) и нивото на звучна моќност е 107 dB(A) (несигурност K = 3 dB), и вибрацијата *(триакс векторна сума; несигурност K = 1.5 m/c²)
 - * сечење дрво < 2,5 m/c²
 - * сечење на метал < 2,5 m/c²
- Нивото на емитирање на вибрации кое е наведено на задниот дел на ова упатство е измерено во согласност со стандардизираниот тест даден во EN 62841; може да се користи за да се спореди еден алат со друг, и како првична оценка за изложеноста на вибрации кога се користи алатот за споменатите примени
 - користењето на алатот за разни примени, или со различна или неправилно чувана дополнителна опрема, може да доведе до значајно зголемување на нивото на изложеност
 - кога алатот е исклучен или кога алатот е вклучен но не врши некаква работа, може да дојде до значително намалување на нивото на изложеност
- ! **заштитете се од ефектите на вибрациите преку одржување на алатот и неговата дополнителна опрема, одржување на топлината на вашите раце, и организирање на вашата работа**

Brushless compact multi saw

3540

HYRJE

- Kjo vegël është bërë për sharrim gjatësor dhe tërthor të drurit, melaminës, kompensatës, aluminit, pllakave, gurit, plastikës dhe materialeve të lehta të ndërtimit me prerje të drejta, si edhe me prerje me kënde deri në 45 gradë
- Ky mjet nuk është bërë për përdorim profesional.
- Lexojeni dhe ruajeni këtë manual përdorimi. ③

TË DHËNAT TEKNIKE ①

ELEMENTET E PAJISJES ②

- A Çelësi heksagonal
- B Vendi i ruajtjes së çelësit heksagonal
- C Doreza
- D Çelësi i aktivizimit
- E Çelësi i sigurisë
- F Butoni i bllokimit të boshtit
- G Porta e nxjerrjes së pluhurave
- H Përshtatësi i fshesës me korrent
- J Rregullatori paralel
- K Vidë për lëvizjen e vizesorë paralele
- L Treguesi i vijës së prerjes
- M Pllaka e këmbës
- N Të çarët e ajrosjes
- P Treguesi i thellësisë së prerjes
- Q Çelës për vendosjen e thellësisë së sharrimit
- R Mbrojtësja e sipërme
- S Leva për hapjen e mbrojtësës së poshtme
- T Dritë LED
- U Doreza për rregullimin e këndit të prerjes
- V Treguesi i këndit të prerjes
- W Mbrojtësja e poshtme
- X Sipërfaqja e kapjes
- Y Lama e sharrës me maja karbidi
- Z Fllanxha
- AA Buloni i thikës
- AB Butoni tregues i nivelit të baterisë
- AC Lama e sharrës prej çeliku të përforcuar
- AD Disku i diamantit

SIGURIA

PARALAJMËRIME TË PËRGJITHSHME TË SIGURISË PËR PAJISJET ELEKTRIKE

PARALAJMËRIM Lexoni të gjitha paralajmërimet e sigurisë, udhëzimet, ilustrimet dhe specifikimet e paraqitura me këtë vegël pune. Mosrespektimi i të gjitha udhëzimeve të renditura më poshtë mund të rezultojë në goditje elektrike, zjarr dhe/ose dëmtime të rënda.

Ruani të gjitha paralajmërimet dhe udhëzimet për referencë në të ardhmen.

Termi "pajisje elektrike" në paralajmërimet i referohet pajisjes

elektrike që përdoret nga priza (me kablo) ose pajisjes elektrike me bateri (pa kablo).

1) SIGURIA E ZONËS SË PUNËS

- a) **Mbajeni zonën e punës të pastër dhe të ndriçuar mirë.** Zonat e çrregullta ose të errëta janë një ftesë për aksidente.
 - b) **Mos i përdorni pajisjet elektrike në situata me mundësi shpërthimi, si në prani të lëngjeve, gazeve ose pluhurave të djegshëm.** Pajisjet elektrike shkaktojnë shkëndija që mund të ndezin pluhurat ose avujt.
 - c) **Mbajini fëmijët dhe personat e tjerë larg gjatë përdorimit të veglës së punës.** Tërheqja e vëmendjes mund të shkaktojë humbjen e kontrollit.
- #### 2) SIGURIA ELEKTRIKE
- a) **Spinat e veglës së punës duhet të përputhen me prizën. Mos modifikoni kurrë spinën në asnjë mënyrë. Mos përdorni asnjë spinë përshtatëse me veglat e punës me tokëzim.** Spinat e pamodifikuara dhe prizat përshtatëse do të zvogëlojnë rrezikun e goditjes elektrike.
 - b) **Shmangni kontaktin trupor me sipërfaqe të tokëzuara si tuba, radiatorë, soba dhe frigoriferë.** Ka një rrezik më të madh të goditjeve elektrike nëse trupi është i tokëzuar.
 - c) **Mos ekspozoni veglat e punës në shi ose në kushte me lagështi.** Uji që hyn në veglën e punës do të rritë rrezikun e goditjes elektrike.
 - d) **Mos abuzoni me kordonin. Mos e përdorni kurrë kordonin për transportin, tërheqjen ose heqjen e spinës së veglës së punës. Mbajeni kordonin larg nga nxehtësia, vaji, anët e mprehta ose pjesët që lëvizin.** Kordonët e dëmtuar ose e bllokuar rrisin rrezikun e goditjes elektrike.
 - e) **Kur përdorni një vegël pune në mjedise të jashtme, përdorni një kordon zgjatues të përshtatshëm për përdorim në mjedise të jashtme.** Përdorimi i një kordoni të përshtatshëm për përdorime në mjedise të jashtme zvogëlon rrezikun e goditjes elektrike.
 - f) **Nëse është e pashmangshme përdorimi i një mjeti me korrent në një vend me lagështi, përdorni një pajisje mbrojtëse nga rryma (RCD).** Përdorimi i një RCD pakëson rrezikun e goditjeve elektrike.

3) SIGURIA PERSONALE

- a) **Qëndroni në gatishmëri, shikoni se çfarë po bëni dhe përdorni gjykimin kur përdorni një vegël pune. Mos e përdorni një vegël pune kur jeni i lodhur ose nën ndikimin e ilaçeve, alkoolit ose mjekimit.** Një moment humbje e vëmendjes gjatë përdorimit të veglave të punës mund të shkaktojë dëmtime të rënda personale.
- b) **Përdorni pajisje personale mbrojtëse. Mbani gjithmonë pajisje për mbrojtjen e syve.** Pajisjet mbrojtëse, si maska kundër pluhurit, këpucët që nuk rrëshqasin, kaskat ose pajisjet për mbrojtjen e veshëve për kushte përkatëse do të zvogëlojnë dëmtimet personale.
- c) **Parandaloni ndezjen e rastësishme. Sigurohuni që çelësi është në pozicionin fikur para se të lidhni burimin e energjisë dhe/ose baterinë, para se të merrni ose të transportoni pajisjen.** Transportimi i veglave të punës me gishtin në çelës ose aktivizimi i veglave të punës që kanë çelësin të ndezur është një

ftesë për aksidente.

- d) **Hiqni çdo çelës ose çelës përshtatës para ndezjes së veglës së punës.** Një çelës i lënë i lidhur me një pjesë rrotulluese të veglës së punës mund të shkaktojë dëmtime personale.
- e) **Mos u zgjasni. Mbani një vendosje të mirë të këmbëve dhe një ekuilibër të mirë në çdo moment.** Kjo gjë bën të mundur një kontroll më të mirë të veglës së punës në situata të papritura.
- f) **Mabajni flokët dhe rrobat larg nga pjesët e lëvizshme.** Rrobat e gjera, bizhuteritë ose flokët e gjata mund të kapen te pjesët e lëvizshme.
- g) **Nëse janë ofruar pajisje për lidhjen e pajisjeve të mbledhjes dhe nxjerrjes së pluhurave, sigurohuni që ato të jenë të lidhura dhe të përdoren si duhet.** Përdorimi i mbledhjes së pluhurave mund të zvogëlojë rreziqet në lidhje me pluhurat.
- h) **Mos lejoni që familjarizimi i fituar nga përdorimi i shpeshtë i veglave t'ju bëjë të ndiheni tepër të sigurt në vetvete dhe të shpërfillni parimet e sigurisë për pajisjet.** Një veprim i pakujdesshëm mund të shkaktojë dëmtime të rënda në më pak se një sekondë.
- 4) **PËRDORIMI DHE KUJDESI PËR VEGLËN E PUNËS**
 - a) **Mos ushtroni forcë mbi veglën e punës. Përdorni veglën e punës të duhur për përdorimin tuaj.** Vegla e punës e duhur do të realizojë një punë më të mirë dhe më të sigurt dhe me shpejtësinë që ajo është e projektuar.
 - b) **Mos përdorni veglën e punës nëse çelësi nuk e ndez apo e fik.** Çdo vegël pune që nuk mund të kontrollohet me anë të çelësit është e rrezikshme dhe duhet të riparohet.
 - c) **Shkëputeni spinën nga burimi i energjisë dhe/ose hiqni paketën e baterisë, nëse është e mundur, nga mjeti me korrent para se të bëni rregullime, ndryshoni aksesoret ose vendosni mjetet me korrent.** Këto masa parandaluese të sigurisë ulin rrezikun e ndezjes aksidentale të veglës së punës.
 - d) **Mbani veglat e punës larg fëmijëve dhe mos lejoni personat e pamësuar me veglën e punës ose këto udhëzime për përdorimin e pajisjes.** Veglat e punës janë të rrezikshme në duart e përdoruesve të patrajnuar.
 - e) **Mirëmbajini veglat me korrent dhe aksesoret. Kontrolloni për mospërshtatje ose bllokim të pjesëve lëvizëse, thyerje të pjesëve dhe gjendje të tjera që mund të ndikojnë në funksionimin e veglës së punës. Nëse dëmtohet, riparojeni veglën e punës para përdorimit.** Shumë aksidente shkaktohen nga veglat e punës jo të mirëmbajtura si duhet.
 - f) **Mabajni pajisjet prerëse të pastra dhe të mprehta.** Pajisjet e prerjes të mirëmbajtura dhe me anë të mprehta kanë më pak mundësi për t'u bllokuar dhe janë më të lehta për t'u kontrolluar.
 - g) **Përdorni veglat e punës, aksesoret dhe puntot, etj. në përputhje me këto udhëzime, duke marrë parasysh kushtet e punës dhe punën që do të kryhet.** Përdorimi i veglave për përdorime të ndryshme nga ato të përcaktuara mund të shkaktojë rreziqe.
 - h) **Mabajni dorezat dhe sipërfaqet ku mbaheni të thata, të pastra dhe pa vajra ose graso.** Dorezat dhe sipërfaqet ku mbaheni, kur janë të rrëshqitshme, nuk ju lejojnë ta menaxhoni dhe ta kontrolloni në mënyrë të sigurt pajisjen në situata të papritura.

5) PËRDORIMI DHE KUJDESI PËR VEGLËN ME BATERI

- a) **Karikojeni vetëm me karikuesin e specifikuar nga prodhuesi.** Një karikues që është i përshtatshëm për një loj baterie mund të krijojë rrezik për zjarr kur përdoret me një bateri tjetër.
- b) **Përdorni vetëm mjetet me bateri që kanë bateri të krijuara në mënyrë të posaçme për to.** Përdorimi i çdo baterie tjetër mund të krijojë rrezik për dëmtime dhe zjarr.
- c) **Kur bateria nuk është në përdorim, mbajeni larg nga objektet e tjera metalike si kapëset e letrës, monedhat, çelësat, gozhdët, vidat ose objektet e tjera të vogla metalike që mund të bëjnë lidhjen e një terminali me terminalin tjetër.** Bashkimi i terminalëve së bashku mund të shkaktojë djegie ose zjarr.
- d) **Nëse kushtet janë të papërshtatshme, nga bateria mund të dalin lëngje; shmangni kontaktin.** Nëse kontakti ndodh padashur, shpëljajeni me ujë. Nëse lëngu ju bie në kontakt me sytë, kërkoni ndihmë mjekësore. Lëngu që del nga bateria mund të shkaktojë iritim ose djegie.
- e) **Mos përdorni bateri ose mjete që janë dëmtuar ose modifikuara.** Bateritë e dëmtuara ose të modifikuara mund të shfaqin sjellje të paparashikuara, duke shkaktuar zjarr, shpërthim ose rrezik për lëndimin tuaj.
- f) **Mos e ekspozoni një pako baterish ose një vegël ndaj zjarrit ose temperaturës shumë të lartë.** Ekspozimi ndaj zjarrit ose një temperature mbi 130°C mund të shkaktojë shpërthim.
- g) **Ndiqni të gjitha udhëzimet për karikimin dhe mos e karikoni baterinë ose veglën jashtë gamës së temperaturës që specifikohet tek udhëzimet.** Karikimi i papërshtatshëm ose në temperatura jashtë gamës së specifikuar mund të dëmtojë baterinë dhe të rritë rrezikun për zjarr.
- 6) **SHËRBITIMI**
 - a) **Shërbimi i veglës së punës duhet të kryhet nga një person i kualifikuar për riparimet duke përdorur vetëm pjesë ndërrimi identike.** Kjo gjë do të sigurojë ruajtjen e sigurisë së veglave të punës.
 - b) **Mos u mundoni asnjëherë t'i riparoni bateritë e dëmtuara.** Riparimi i baterive duhet të kryhet vetëm nga prodhuesi ose ofruesit e autorizuar të shërbimit.

UDHËZIME SIGURIE PËR SHARRAT ME DISK

Procedurat për prerjen

- a) **RREZIK:** **Mabajni duart larg nga zona e prerjes dhe lama.** Nëse sharra mbartet me të dyja duart, nuk është e mundur që të priten prej saj.
- b) **Mos u zgjasni poshtë materialit të punës.** Mbrojtësja nuk mund t'ju mbrojë nga lama poshtë materialit të punës.
- c) **Rregulloni thellësinë e prerjes sipas trashësisë së materialit të punës.** Poshtë materialit të punës duhet të duket me pak se një dhëmb i plotë i lamës.
- d) **Mos e mbani kurrë materialin e prerjes në duar ose në mes të këmbëve ndërsa prisni.** Sigurojeni materialin e punës në një platformë të qëndrueshme. Është e rëndësishme që ta mbështesni materialin si duhet për të minimizuar ekspozimin e trupit,

bllokimin e lamës ose humbjen e kontrollit.

- e) **Kapeni mjetin e punës nga sipërfaqet e izoluara të kapjes, kur kryeni një veprim ku pajisja e prerjes mund të bjerë në kontakt me tela të fshehur.** Kontakti me një tel elektrik do të bëjë që pjesët metalike të ekspozuara të vegëlës së punës të përcjellin energjinë elektrike dhe të shkaktojnë goditjen e operatorit.
- f) **Kur grisni, përdorni gjithmonë një mbrojtës grisjeje ose një udhëzues me skaj të drejtë.** Kjo gjë përmirëson saktësinë e prerjes dhe zvogëlon mundësinë e bllokimit të lamës.
- g) **Përdorni gjithmonë lama me madhësinë dhe formën e duhur (diamant kundrejt të rrumbullakëta) të vrimave të boshtit rrotullues.** Lamat që nuk përpunohen me pajisjen montuese të sharrës do të punojnë në mënyrë josimetrike me qendrën, duke shkaktuar humbje të kontrollit.
- h) **Mos përdorni kurrë rondele ose bulona të dëmtuar ose të pasaktë të lamës.** Rondelet dhe buloni i lamës janë projektuar posaçërisht për sharrën tuaj, për rendiment optimal dhe siguri në përdorim.

Shkaqet e goditjes së kthimit dhe paralajmërimet përkatëse

- Goditja e kthimit është një reagim i papritur i një lame të shtrënguar, të bllokuar ose jo të ekuilibruar të sharrës, e cila bën që sharra e pakontrolluar të ngrihet lart duke u shkëputur nga materiali i punës në drejtim të operatorit
- Kur lama kafshohet ose bllokohet fort nga gjerësia e prerjes, lama ndalon dhe reagimi i motorit e drejton njësinë me shpejtësi në drejtim të operatorit.
- Nëse lama ngatërrohet ose është e paekuilibruar në prerje, dhëmbët në anën e pasme të lamës mund të ngulen në sipërfaqen e sipërme të drurit duke bërë që lama të dalë nga gjerësia e prerjes dhe të kërcejë në drejtim të operatorit.

Goditja e kthimit është rezultat i keqpërdorimit të pajisjes dhe/ose procedurave ose kushteve të papërshtatshme të funksionimit dhe mund të shmanget duke ndërmarrë masat paraprake që tregohen poshtë.

- a) **Mbajeni mirë sharrën dhe poziciononi krahët për të përballuar forcat e goditjes së kthimit. Poziciononi trupin tuaj në njërin anë të lamës, por jo në një vijë me lamën.** Goditja e kthimit mund të bëjë që sharra të kërcejë prapa por forcat e goditjes së kthimit mund të kontrollohen nga operatorit nëse merren masat paraprake të duhura.
- b) **Kur lama është e bllokuar ose kur ndërprisni prerjen për një arsye, lëshoni çelësin dhe mbajeni sharrën pa lëvizur brenda materialit deri sa lama të ndalojë plotësisht. Mos u përpiqni kurrë që ta hiqni sharrën nga materiali ose ta tërhiqni sharrën prapa kur lama është në lëvizje, përndryshe mund të ndodhë një goditje kthimi.** Kontrolloni dhe kryeni veprime korrigjuese për të eliminuar shkakun e bllokimit të lamës.
- c) **Kur e vini përsëri në punë sharrën të materiali i punës, vendosni lamën e sharrës në qendër të gjerësisë së prerjes dhe kontrolloni që dhëmbët e sharrës të mos jenë kapen të materiali.** Nëse lama e sharrës bllokohet, ajo mund të dalë ose të kthehet prapa nga materiali kur rifillon punën me sharrën.

- d) **Mbështesni panelin e mëdha për të minimizuar rrezikun e bllokimit ose goditjes së kthimit.** Panelin e mëdha kanë tendencën të epen nën peshën e tyre. Mbështetëset duhet të vendosen poshtë panelit në të dy krahët në afërsi të vijës së prerjes pranë anës së panelit.
- e) **Mos përdorni lama jo të mprehta ose të dëmtuara.** Lamat jo të mprehta ose të vendosura jo mirë krijojnë një gjerësi të ngushtë të prerjes dhe shkaktojnë fërkim të tepërt, bllokim të lamës dhe goditje të kthimit.
- f) **Levat bllokuese rregulluese të pjerrësisë dhe thellësisë së lamës duhet të jenë të shtrënguara dhe të sigurta para se të bëni prerjen.** Nëse rregullimi i lamës lëviz gjatë prerjes, ai mund të shkaktojë bllokim ose goditje të kthimit.
- g) **Kini shumë kujdes kur sharroni në mure ekzistuese ose zona të tjera të panjohura.** Lama e futur mund të presë objekte që mund të shkaktojnë goditje të kthimit.

Funksioni i mbrojtëses së poshtme

- a) **Para çdo përdorimi, kontrolloni mbrojtësen e poshtme nëse mbyllet siç duhet. Mos e përdorni sharrën nëse mbrojtësja e poshtme nuk lëviz lirish dhe nuk mbyllet menjëherë. Mos e shtrëngoni apo lidhni asnjëherë mbrojtësen e poshtme në pozicionin e hapur.** Nëse sharra bie aksidentalisht, mbrojtësja e poshtme mund të deformohet. Ngrijeni mbrojtësen e poshtme me dorezën e tërheqjes dhe sigurohuni që lëviz lirish dhe nuk prek me lamën ose pjesë të tjera, në të gjitha këndet dhe thellësitë e prerjes.
- b) **Kontrolloni funksionimin e sustës së mbrojtëses së poshtme. Nëse mbrojtësja dhe susta nuk funksionojnë si duhet, ato duhet të riparohen para përdorimit.** Mbrojtësja e poshtme mund të punojë ngadalë për shkak të pjesëve të dëmtuara, depozitave ngjitëse ose grumbullimit të copërave.
- c) **Mbrojtësja e poshtme mund të tërhiqet manualisht vetëm për prerje të veçanta si " prerje me zhytje" dhe " prerje të kombinuara".** Ngrini mbrojtësen e poshtme me anë të dorezës së tërheqjes dhe menjëherë sapo lama të hyjë në material, mbrojtësja e poshtme duhet të lirohet. Për të gjitha sharrimet e tjera, mbrojtësja e poshtme duhet të funksionojë automatikisht.
- d) **Shikoni gjithmonë që mbrojtësja e poshtme të mbulojë lamën para se ta vendosni mbi tryezë ose dysheme.** Disku prerës i pambrojtur në lëvizje do të bëjë që sharra të ecë prapa duke prerë çdo gjë në rrugën e saj. Kini parasysh kohën që i duhet diskut prerës për të ndaluar pasi lëshohet çelësi.

PARALAJMËRIMET SHITES PËR SIGURINË

TË PËRGJITHSHME

- Kjo pajisje nuk duhet të përdoret nga personat nën moshën 16 vjeç
- Kjo vegël nuk është e përshtatshme për prerje në lagështi
- **Mos punoni me materiale që përmbajnë asbest (asbesti konsiderohet kancerogjen)**
- Pluhurat nga materialet si boja me plumb, disa lloje drurësh, mineralesh dhe metalesh mund të jenë të dëmshme (kontakti ose thithja e pluhurave mund

të shkaktojë reagime alergjike dhe/ose sëmundje respiratore për përdoruesin ose personat përreth); **mbani një maskë për pluhurat dhe punoni me një pajisje për heqjen e pluhurave kur mund të lidhet**

- Disa lloje pluhurash janë klasifikuar si kancerogjene (si pluhuri i lisit dhe i ahut) veçanërisht në ndërthurje me lëndët shtesë për kondicionimin e drurit; **mbani një maskë për pluhurat dhe punoni me një pajisje për heqjen e pluhurave kur mund të lidhet**
- Respektoni kërkesat kombëtare në lidhje me pluhurat për materialet me të cilat dëshironi të punoni
- Mos e përdorni këtë sharrë së bashku me një tavolinë sharre
- Hiqeni baterinë nga pajisja para se të bëni ndonjë rregullim ose të ndërroni ndonjë aksesor

AKSESORËT

- SKIL mund të garantojë funksionimin pa probleme të vegjël vetëm kur përdoren aksesorët origjinalë
- Përdorni vetëm lama sharre që përpunohen me të dhënat e karakteristikave të dhëna në këto udhëzime përdorimi dhe që janë testuar dhe shënuar në përputhje me EN 847-1, nëse janë bërë për materiale druri dhe materiale ngjashëm druri.
- Përdorni vetëm aksesorë me një shpejtësi të lejuar që përshtatet të paktën me shpejtësinë më të lartë pa ngarkesë të pajisjes
- **Përdorni vetëm lama / disqe prerëse me diametër minimal 115 mm, diametër maksimal 120 mm dhe vrimë aksi 9,5 mm**
- Mos përdorni kurrë disqe mprehës me këtë vegël
- Mbani dhe ruajini me kujdes aksesorët
- Identifikoni lamën e saktë të sharrës që do të përdoret për materialin që do të pritet.

PARA PËRDORIMIT

- Shmangni dëmtimet që mund të shkaktohen nga vidat, gozhdët dhe elementet e tjera në materialin e punës; hiqni ato para se të filloni punën
- Hiqni të gjitha pengesat mbi si dhe poshtë në rrugën e prerjes para se të filloni prerjen
- **Siguroni materialin e punës** (një material i shtrënguar me një pajisje shtrëngimi ose morsi mbahet në mënyrë më të sigurt se sa me dorë)
- **Përdorni detektorë të përshtatshëm për të gjetur linjat e fshehura të shërbimit ose telefononi kompaninë lokale të shërbimeve për ndihmë** (kontakti me linjat elektrike mund të shkaktojë zjarr ose goditje elektrike; dëmtimi i një linje gazi mund të shkaktojë shpërthim; shpimi i një tubi uji do të shkaktojë dëmtim të pronës ose një goditje elektrike)

GJATË PËRDORIMIT

- Niveli i zhurmës gjatë punës mund të kalojë 85 dB(A); mbani mbrojtëse për veshët
- Mos e përdorni kurrë pajisjen pa sistemin origjinal mbrojtës
- Mos u përipiqi të prisni materiale shumë të vogla
- Mos punoni me veglën mbi kokën tuaj
- Në rast të ndonjë bllokimi ose defekti elektrik ose mekanik, fikeni menjëherë mjetin dhe hiqeni baterinë.

PAS PËRDORIMIT

- Kur ta largoni pajisjen, fikeni motorin dhe sigurohuni që të gjitha pjesët lëvizëse të kenë ndaluar plotësisht
- Pas fikjes së sharrës rrethore, mos e ndaloni kurrë rotullimin e lamës së sharrës duke ushtruar një forcë anësore

BATERITË

- Bateria e dhënë është pjesërisht e karikuar (për të siguruar kapacitet të plotë të baterisë, karikojeni baterinë plotësisht në karikuesin e baterisë para se ta përdorni mjetin për herë të parë)
- Përdorni vetëm bateritë dhe karikuesit e mëposhtëm me këtë mjet
 - Bateria SKIL: BR1*31****
 - Karikues SKIL: CR1*31****
- Mos e përdorni baterinë kur është dëmtuar; ajo duhet ndërruar
- Mos e çmontoni baterinë
- Mos e ekspozoni mjetin/baterinë në shi
- Lejohet temperatura e ambientit (vegël/karikuesin/bateri):
 - kur karikoni 4...40°C
 - gjatë punës -20...+50°C
 - gjatë magazinimit -20...+50°C

SHPJEGIMI I SIMBOLEVE NË VEGËL/BATERI

- ③ Lexoni manualin e udhëzimeve para përdorimit
- ④ Bateritë mund të shpërthejnë kur hidhen në zjarr, prandaj mos i digjni bateritë për asnjë arsye
- ⑤ Ruajeni veglën/karikuesin/baterinë në vende ku temperatura nuk i kalon 50°C
- ⑥ Mos i hidhni veshkat elektrike dhe bateritë së bashku me mbeturinat shtesëpiake

PËRDORIMI

- Karikimi i baterisë
 - ! **Lexoni paralajmërimet dhe udhëzimet e sigurisë të dhëna me karikuesin**
- Heqja/instalimi i baterisë ②
- Treguesi i nivelit të baterisë ⑦
 - shtypni butonin tregues të nivelit të baterisë AB për të shfaqur nivelin aktual të baterisë ⑦a
 - ! **kur fillon të pulsojë niveli më i ulët i treguesit të baterisë pasi keni shtypur butonin AB ⑦b, bateria është bosh**
 - ! **kur 2 nivele të treguesit të baterisë fillojnë të pulsojnë pasi keni shtypur butonin AB ⑦c, bateria nuk është brenda temperaturës së lejuar**
- Drita LED T ⑧
 - Drita LED ndizet automatikisht kur mjeti fillon të punojë
 - ! **kur drita LED fillon të pulsojë, kjo do të thotë se është aktivizuar mbrojtja e baterisë (shiko më poshtë)**
- Mbrojtja e baterisë
 - Mjeti fiket papritur ose nuk ndizet kur
 - **ngarkesa është tepër e lartë** --> hiqeni ngarkesën dhe ndizen përsëri
 - **temperatura e baterisë nuk është brenda nivelit të lejuar të temperaturës prej -20 deri në +50°C** --> 2 nivelet e treguesit të nivelit të baterisë fillojnë të pulsojnë kur shtypni butonin AB 7c; prisni derisa bateria të jetë brenda temperaturës së lejuar
 - **bateria është thuajse bosh (për t'u mbrojtur nga dëmtimi për shkak të shkarkimit të thellë)** --> niveli i ulët i baterisë ose pulsimi për shkak të nivelit të ulët të baterisë ub tregohet në treguesin e nivelit të baterisë kur shtypni butonin AB; karikoni baterinë
 - ! **mos vazhdoni të shtypni çelësin e ndezjes/fikjes pasi pajisja të fiket automatikisht; bateria mund të dëmtohet**
- Montimi i lamës së sharrës ②
 - ! **hiqeni baterinë nga mjeti**

- merrni çelësin gjashtëkëndor A nga vendi B
- shtypni butonin e bllokimit të boshtit rrotullues F dhe mbajeni ndërsa hiqni bulonin e thikës AA duke rrotulluar çelësin heksagonal A në drejtim ORAR (= në të njëjtin drejtim me shigjetën e printuar në thikën e sharrës)

! shtypni butonin e bllokimit të boshtit rrotullues F vetëm kur mjeti nuk është duke lëvizur

- lëshoni butonin e bllokimit të boshtit rrotullues F
- hiqni fllanxhën Z

! sigurohuni që sipërfaqet shtrënguese X të fllanxhave janë plotësisht të pastra dhe janë përballë lamës

- hapni mbrojtësen e poshtme W me levën S dhe mbajeni ndërsa montoni lamën e sharrës me dhëmbëzat dhe shigjetën e printuar mbi lamë në të njëjtin drejtim si shigjeta në mbrojtësen e sipërme
- lëshoni mbrojtësen e poshtme W
- montoni fllanxhën Z
- shtypni butonin e bllokimit të boshtit rrotullues F dhe mbajeni ndërsa shtrëngoni bulonin e lamës me çelësin heksagonal 1/8 rrotullim pas shtrëngimit me dorë (siguron rrëshqitjen e lamës së sharrës kur ndesh rezistencë të madhe duke zvogëluar mbingarkesën e motorit dhe goditjen e kthimit të sharrës)
- lëshoni butonin e bllokimit të boshtit rrotullues F

• Rregullimi i thellësisë së prerjes (0-41 mm) ⑨

- për një prerje me cilësi optimale, lama e sharrës nuk duhet të zgjatet më shumë se 3 mm poshtë materialit të punës
- lironi çelësin Q
- ngrini/ulni këmbëzën M deri sa të caktohet thellësia e dëshiruar e prerjes në shkallë me anë të treguesit P
- shtrëngoni çelësin Q

• Rregullimi i këndit të prerjes (0-45°) ⑩

- lironi çelësin U
- anoni veglën deri sa të caktohet këndi i dëshiruar i prerjes në shkallë me anë të treguesit V
- shtrëngoni çelësin U

! për prerje të pjerrëta, thellësia e prerjes nuk përputhet me vlerën në shkallën e thellësisë së prerjes

• Treguesi i vijës së prerjes L ⑪

- për drejtimin e veglës në vijën e dëshiruar të prerjes të shënuar në materialin e punës
- për një prerje të drejtë 0° ose të pjerrët 45° përdorni vijën e treguesit përkatës

! pjesa e gjerë e këmbëzës duhet të qëndrojë në pjesën e mbështetur të materialit

! gjerësia e prerjes përcaktohet nga gjerësia e dhëmbëzave të lamës dhe jo nga gjerësia e trupit të lamës

! bëni gjithmonë prerje provë në fillim për të verifikuar vijën aktuale të prerjes

• Thithja e pluhurave ⑫

- Për përdorimin e fshesës me korrent
- lidhni tubin e fshesës me korrent me adaptorin K të fshesës me korrent H

! mos lejoni kurrë që tubi i fshesës me korrent të ndërhyjë në mbrojtësen e poshtme ose gjatë veprimt të prerjes

! mos e përdorni fshesën me korrent kur prisni metal

• Funksionimi i veglës

- montoni baterinë
- mbajeni gjithmonë fort dorezën C
- vendoseni veglën me pjesën e përparme të këmbëzës rrafsh me materialin e punës

! sigurohuni që dhëmbëzat e sharrës të mos jenë në kontakt me materialin e punës

- ndizni veglën duke shtypur në fillim çelësin E (= çelësin e sigurisë që nuk mund të bllokohet) dhe më pas tërhiqni çelësin e aktivizimit

! vegla duhet të arrijë shpejtësinë e plotë para të lama të hyjë në materialin e punës

- mbrojtësja e poshtme W hapet automatikisht kur lama e sharrës hyn në materialin e punës (hapni mbrojtësen e poshtme në mënyrë manuale duke përdorur levën S vetëm për prerje të veçanta si prerje me zhytje)

! mos e sforconi pajisjen (ushtroni trysni të lehtë dhe në vazhdim për të shmangur mbinxehjen e majave të thikave)

! gjatë punës, mbajeni gjithmonë mjetin te vendet e kapjes

- pasi të përfundoni prerjen, fikeni veglën duke lëshuar çelësin D

! sigurohuni që lama të ketë ndaluar plotësisht para se ta hiqni veglën nga materiali i punës

KËSHILLË PËR PËRDORIMIN

- Vendoseni gjithmonë poshtë anën më të mirë të materialit për të siguruar krijim minimal të ashklave kur sharroni dru ose materiale ngjashëm drurit.
- Performanca e sharrimit dhe cilësia e prerjes varen në thelb nga gjendja dhe numri i dhëmbëve të lamës së sharrës.
- Përdorni vetëm lama sharre të mprehta që janë të përshtatshme për materialin që do të pritet ⑬
 - përdorni disk prerës me çelik të përforcuar AC ② për prerjen e drurit, aluminit, plastikës dhe të gjitha llojeve të drurit laminat
 - përdorni diskun e diamantit AD ② për prerjen e materialeve qeramike dhe të pllakave
 - lamat me maja karbidi Y ② qëndrojnë të mprehta deri 30 herë më shumë se sa lamat e zakonshme
- Rregullatori paralel J ⑭
 - për kryerjen e prerjeve të sakta përgjatë anës së materialit
 - futeni nëpër vrimat në fundin e përparmë të këmbës Rregullimi i treguesit paralel
 - Lironi vidën K duke përdorur çelësin gjashtëkëndor A
 - rregulloni gjerësinë e dëshiruar të prerjes duke përdorur shkallën e treguesit paralel (përdorni treguesin e vijës së prerjes L si 0-referencë)
 - shtrëngoni vidën K
- Prerja me zhytje ⑮
 - caktoni thellësinë e dëshiruar të prerjes
 - anoni veglën përpara me treguesin e vijës së prerjes L të përshtatur me vijën e dëshiruar të prerjes shënuar mbi material
 - hapni mbrojtësen e poshtme W me levën S
 - menjëherë para se lama të futet në material, ndizni veglën dhe ulni gradualisht pjesën e poshtme prapa të veglës duke përdorur fundin e këmbëzës si pikën menteshë
 - lëvizni veglën gradualisht poshtë si dhe përpara

- sapo lama të futet në material, lëshoni levën S
- ! **mos e tërhiqni kurrë veglën prapa**
- Prerja e paneleve të mëdhenj ⑩
 - mbështeteni panelin afër prerjes mbi dysheme, tavolinë ose bango
- ! **caktoni thellësinë e prerjes në mënyrë që të prisni panelin por jo pjesën mbështetëse**
- në rast se shina paralele nuk lejon gjerësinë e dëshiruar të prerjes, fiksoni ose mbërtheni një copë druri të drejtë që t'ju shërbejë si shinë drejtuese, dhe përdorni anën e majtë të këmbës kundrejt kësaj shine ⑦
- Për më shumë informacion, shikoni www.skil.com

MIRËMBAJTJA/SHËRBIMI

- Ky mjet nuk është bërë për përdorim profesional
- Mbajeni gjithmonë veglën dhe kordonin të pastër (veçanërisht hapësirat e ajrimit N)
- ! **hiqeni baterinë nga mjeti para se ta pastroni**
- Mbajeni gjithmonë zonën rreth mbrojtëses së poshtme W ② të pastër (hiqni pluhurin dhe ashklat duke i fryrë me ajër të ngjeshur ose me një fuqçë)
- Pastroni lamën e sharrës menjëherë pas përdorimit (veçanërisht nga ngjitësi me përzierje apo i thjeshtë)
- Nëse pajisja ka defekt pavarësisht kujdesit në prodhim dhe procedurat e provave, riparimi duhet të kryhet nga një qendër e shërbimit pas shitjes për veglat e punës të SKIL
 - dërgoni veglën të çmontuar së bashku me vërtetimin e blerjes te shitësi ose te qendra më e afërt e shërbimit të SKIL (adresat si dhe diagrami i shërbimit i veglës janë të paraqitura në www.skil.com)
- Kini parasysh se dëmtimet për shkak të mbingarkesës ose manovrimit të papërshtatshëm të veglës janë të përjashtuara nga garancia (për kushtet e garancisë së SKIL vizitoni www.skil.com ose pyetni shitësin tuaj)

ENVIRONMENT

- Mos i hidhni veglat elektrike, bateritë, aksesorët dhe paketimin së bashku me materialet e mbeturinave familjare (vetëm për vendet e BE-së)
 - në respektim të Direktivës evropiane 2012/19/EC për pajisjet elektrike dhe elektronike si mbetje dhe zbatimin e saj në përputhje me ligjet kombëtare, pajisjet elektrike që kanë arritur në fund të jetëgjatësisë së tyre duhet të mbliidhen të ndara dhe të kthehen në një objekt riciklimi në përputhje me mjedisin.
 - simboli ⑥ do t'ju kujtojë për këtë gjë kur të jetë nevoja për t'i hedhur
- ! **para hedhjes mbroni terminalët e baterisë me ngjitës të fortë për të parandaluar qarkun e shkurtër**

ZHURMA/DRIDHJET

- I matur sipas EN62841, niveli i presionit të zhurmës së këtij mjeti është 96 dB(A) dhe niveli i fuqisë së zhurmës është 107 dB(A) (toleranca K = 3 dB), dhe dridhja
 - * (shuma e vektorit triax; toleranca K = 1.5 m/s²)
 - * prerje druri < 2,5 m/s²
 - * prerje metali < 2,5 m/s²
- Niveli i emetimit të vibrimit është matur në përputhje me një provë të standardizuar të dhënë në EN 62841; ajo

mund të përdoret për të krahasuar një vegël me një tjetër dhe si një vlerësim paraprak i ekspozimit ndaj vibrimit kur përdorni pajisjen për proceset e përmendura

- përdorimi i pajisjes për procese të ndryshme, ose me aksesorë të ndryshëm dhe të mirëmbajtur keq, mund të rritë ndjeshëm nivelin e ekspozimit
- kohët kur pajisja është e fikur dhe kur është e ndezur por jo në punë, mund të zvogëlojnë ndjeshëm nivelin e ekspozimit

! **mbroni veten nga efektet e vibrimit duke mirëmbajtur pajisjen dhe aksesorët e saj, duke i mbajtur duart e ngrohta dhe duke organizuar mënyrën tuaj të punës**

- بازیافت مناسب و سازگار با محیط زیست انتقال یابند
- نماد F یادآور این مسئله در هنگام دور انداختن است
- ! قبل از دور انداختن باتری حتماً باید روی پایانه‌های باتری را با نوار چسب سنگین بپوشانید تا اتصال کوتاه نکند

صداهای ارتعاشات

- طبق استاندارد EN ۱۲۸۴۱، میزان فشار صوتی این ابزار ۹۶ دسی‌بیل و میزان توان صوتی آن ۱۰۷ دسی‌بیل (عدم قطعیت $K=3$ دسی‌بیل). و میزان ارتعاشات آن می‌باشد
- * (جمع بردارهای سه جهت: عدم قطعیت $K=1.5$ متر/مخزور ثانیه)
- * برش چوب > ۲.۵ متر/مخزور ثانیه
- * برش فلز > ۲.۵ متر/مخزور ثانیه
- میزان انتشار ارتعاشات بر اساس تست استاندارد شده ای که در EN ۱۲۸۴۱ معرفی شده است اندازه گیری گردید: از این ارقام می‌توان برای مقایسه یک ابزار با دیگری و بعنوان ارزیابی اولیه در معرض قرارگیری ارتعاشات هنگام کار با ابزار در کاربری های فوق استفاده کرد
- استفاده از ابزار برای کاربردهای متفاوت یا با لوازم و قطعات متفاوت یا لوازم و متعلقاتی که بد نگهداری شده‌اند، می‌تواند میزان در معرض بودن را به‌طور قابل‌ملاحظه‌ای افزایش دهد
- مواقعی که ابزار خاموش است یا وقتی کاری با آن انجام نمی‌شود، میزان در معرض بودن به‌طور قابل‌توجهی کاهش می‌یابد
- ! با نگهداری مناسب از ابزار و لوازم و متعلقات آن، گرم نگهداشتن دست‌های خود، و سازمان‌دهی طرح‌های کاری می‌توانید خود را در برابر اثرات ارتعاش محافظت کنید

- هنگام آبریز کردن چوب و مواد چوب مانند. همیشه سمت خوب قطعه کار را به سمت پایین قرار دهید تا از حداقل خرد شدن اطمینان حاصل کنید.
- عملکرد اهر و کیفیت برش اساساً به وضعیت و تعداد دندانهای تیغه اهر بستگی دارد.
- فقط از تیغه‌های اهر نیز استفاده کنید که برای مواد در حال برش مناسب هستند
- **۱۳**
 - برای بریدن چوب، آلومینیوم، پلاستیک و تمام انواع چوب لجن‌بند شده از تیغه اهر فولاد سخت ① استفاده کنید
 - برای بریدن سرامیک و کاشی از دیسک AD ① استفاده کنید
 - تیغه‌های Y ⑦ یا L به کاربند ۳۰ برابر بیشتر از تیغه های عادی تیزی خود را حفظ می کنند
 - حفاظ برش ⑫ L
 - برای اجرای برش های دقیق در لبه قطعه کار
 - از شکافتن انتهای جلوی یا وارد کنید
 - تنظیم حصار برش
 - پیچ K را با استفاده از کلید هگز A باز کنید
 - با استفاده از مقیاس حصار برش عرض برش دخواه را تنظیم کنید (از نشانگر خط برش L به عنوان نقطه ۰ استفاده کنید)
 - پیچ K را سفت کنید
 - برش عمیق ⑩
 - عمق برش دخواه را تنظیم کنید
 - ابزار را به جلو کج کنید تا خط برش L روی خط دخواه برش علامت‌گذاری شده روی قطعه کاری بیفتد
 - حفاظ پایین W را با اهرم S باز کنید
 - درست قبل از اینکه تیغه وارد قطعه کاری شود، ابزار را روشن کرده و آرام بخش پشتی ابزار را با استفاده از انتهای جلوی پایه بعنوان تکیه گاه پایین بیاورید
 - ابزار را آرام به پایین و جلو برید
 - به محض اینکه تیغه وارد قطعه کاری شد اهرم S را رها کنید
 - **هرگز ابزار را عقب نکشید**
 - بریدن ورق های بزرگ ⑪
 - ورق را از بخشی که نزدیک به محل برش است روی زمین، میز یا میز کار محکم کنید
 - **عمق برش را طوری تنظیم کنید که اهر فقط ورق را ببرد. نه تکیه‌گاه آن را در صورتی که حصار برش اجازه نمی‌دهد عرض برش دخواه را بدست آورد. یک تکه چوب را به عنوان هدایت‌کننده به قطعه کاری یا گیره یا میخ متصل کرده. و از سمت چپ پایه در مقابل این راهنما ⑭ استفاده کنید**

نگهداری/خدمات

- این ابزار برای مصارف حرفه‌ای مناسب نیست
- همیشه ابزار را تمیز نگه دارید (به‌خصوص شیارهای تهویه N)
- **پیش از تمیز کردن باید باتری را از ابزار جدا کنید**
- همیشه محیط اطراف حفاظ ختانی W ۲ را تمیز نگه دارید (گرد و غبار و تراشه‌ها را با هوای فشرده و یا یک برس پاک کنید)
- تیغه اهر را فوراً بعد از استفاده تمیز کنید (به‌خصوص رزین و چسب ها را از آن پاک کنید)
- اگر ابزار علیرغم تمام وقت و مراقبتی که در فرایندهای تولید و تست بکار برده شده از کار افتاد، تعمیراتی باید فقط در مراکز خدمات پس از فروش ابزارهای برقی SKIL انجام شود
- ابزار را به صورت بازنشده همراه با رسید خرید به فروشنده یا نزدیک‌ترین مرکز خدمات رسانی SKIL بفراستید (آدرس‌ها به همراه نمودار نقشه های سرویس ابزار در www.skil.com موجود است)
- توجه داشته باشید که خرابی و خسارت ناشی از اضافه‌بار یا کار کردن نادرست با ابزار مشمول ضمانت نخواهند بود (برای اطلاع از شرایط ضمانت SKIL به نشانی www.skil.com مراجعه کرده یا از فروشنده خود سوال کنید)

محیط زیست

- ابزارهای برقی، باتری‌ها، لوازم و بسته‌بندی آن‌ها را نباید همراه با زباله‌های عادی خانگی دور انداخت (فقط مخصوص کشورهای عضو اتحادیه اروپا)
- با توجه به مصوبه اروپایی ۲۰۱۲/۹/EC اروپا درباره لوازم برقی و الکترونیکی مستعمل و اجرای این مصوبه مطابق با قوانین کشوری، ابزارهای برقی که به پایان عمر مفید خود رسیده اند باید جداگانه جمع آوری شده و به یک مرکز

- چرخاندن کلید هگز A در جهت حرکت عقربه‌های ساعت (= در همان جهتی که پیکان چاپ شده روی تیغه اهر نشان می‌دهد) نگه دارید
- **! ضامن قفل‌کننده شفت را فقط زمانی که ابزار به توقف کامل رسیده است فشار دهید**
- ضامن قفل‌کننده شفت F را آزاد کنید
- فلنج Z را بردارید
- **! مطمئن شوید که سطوح بیست X فلنچ‌ها کاملاً تمیز بوده و به سمت تیغه باشند**
- حفاظ پایین W را با اهرم S باز کرده و ضمن اینکه تیغه اهر را سوار می‌کنید حفاظ را نگه دارید. دندانهای تیغه اهر و پیکان چاپ‌شده روی تیغه اهر باید با پیکان روی حفاظ پایین هم‌جهت باشد
- حفاظ پایین W را آزاد کنید
- فلنج Z را سوار کنید
- ضامن قفل‌کننده شفت F را فشار دهید و ضمن اینکه پیچ تیغه را با آچار آلن به اندازه ۱/۸ دور بیشتر از حدی که با دست سفت می‌شود سفت می‌کنید. آترا نگه دارید (با این کار از لغزش تیغه اهر هنگام روبرو شدن با مقاومت زیاد جلوگیری شده و بار وارده بر موتور و پس زدن اهر کاهش داده می‌شود)
- ضامن قفل‌کننده شفت F را آزاد کنید
- تنظیم عمق برش ④ (۱۰۰ میلی‌متر)
 - برای یهینه شدن کیفیت برش، تیغه برش نباید بیشتر از ۳ میلی‌متر به داخل قطعه کاری وارد شود
 - کلید گردان Q را شل کنید
 - پایه M را بالا/پایین بیاورید تا عمق برش دخواه روی مقیاس با نشانگر P تنظیم شود
 - کلید گردان Q را سفت کنید
 - تنظیم زاویه برش (۰-۴۵ درجه) ⑤
 - کلید گردان U را شل کنید
 - ابزار را کج کنید تا زاویه برش دخواه روی مقیاس نشانگر V تنظیم شود
 - کلید گردان U را سفت کنید
 - **! عمق برش در برش‌های اربب یا مقدر روی مقیاس عمق برش یکسان نخواهد بود**
- نشانگر خط برش L ⑥
 - برای هدایت ابزار روی خط دخواه علامت گذاری شده روی قطعه کاری
 - برای برش های مستقیم ۰ درجه یا اربب ۴۵ درجه از خط نشانگر مربوطه استفاده کنید
 - **! بخش عرض پایه باید روی بخش تکیه داده شده قطعه کاری مستقر شود**
 - **! عرض برش به عرض دندانهای تیغه اهر و نه عرض خود تیغه بستگی دارد**
 - **! همیشه برای هدست آوردن خط اصلی برش چند برش آزمایشی بزیند مکش گرد و غبار ⑦**
 - برای استفاده از دستگاه مکش
 - شلنگ جاروبرقی را به مبدل جاروبرقی H وصل کنید
 - **! هرگز نگذارید جاروبرقی یا حفاظ پایین یا عملکرد برش درگیر شود**
 - **هنگام بریدن فلزات نباید از جاروبرقی استفاده کنید**
 - کار کردن با ابزار
 - سوار کردن باتری
 - همیشه دستگیره C را محکم بگیرید
 - ابزار را طوری بگذارید که جلوی پایه، صاف روی قطعه کاری قرار بگیرد
 - **! مطمئن شوید که دندانهای اهر در قطعه کاری درگیر نباشند**
 - ابتدا با فشار دادن کلید گردان E (= سوییچ ایمنی که قابل قفل نیست) ابزار را روشن کنید و سپس استارت D را بکنید
 - **! اول اجازه دهید ابزار به دور کامل خود برسد و بعد تیغه را وارد قطعه کاری کنید**
 - حفاظ پایین W موقی که تیغه اهر وارد قطعه کاری می شود به‌طور خودکار باز خواهد شد (برای اجرای برش‌های مخصوص مانند برش‌های عمیق حفاظ پایین را به‌طور دستی با استفاده از اهرم S باز کنید)
 - **! به ابزار فشار نیآورید (فشار آرام و پیوسته وارد کنید تا از داغ شدن نوک تیغه جلوگیری شود)**
 - **! هنگام کار باید همیشه ابزار را از جا(های) دست بگیرید**
 - بعد از برش زدن ابزار را با رها کردن استارت D خاموش کنید
 - **! قبل از اینکه ابزار را از قطعه کاری جدا کنید، مطمئن شوید که تیغه به توقف کامل رسیده باشد**

توصیه‌های کاربردی

- حفاظ ختانی را در وضعیت باز قفل نکرده یا مهار نکنید. اگر اهر تصادفاً به زمین بیفتد ممکن است حفاظ ختانی خم شود. دوشاخه را بکشید. حفاظ ختانی را با دسته برگشتی بلند کنید و اطمینان حاصل کنید که آزادانه حرکت می‌کند و با هیچ زاویه یا عمق برش یا تیغه یا هیچ بخش دیگری تماس ندارد.
- عملکرد فنر حفاظ ختانی را بررسی کنید. از حفاظ و فنر درست کاری کنید باید پیش از استفاده آنها را تعمیر کنید. کاربرد حفاظ ختانی ممکن است به دلیل آسیب دیدن اجزا و قطعات، جمع شدن ذرات چسبیده و یا جمع شدن گرد و خاک و آشغال، کند و یا تأخیر باشد.
- حفاظ ختانی باید فقط در برش‌های خاص مانند برش جیبی و برش‌های مرکب به‌طور دستی برگردانده شود. به محض اینکه تیغه وارد قطعه کاری شد، حفاظ ختانی را با دسته برگشتی بلند کنید. حفاظ ختانی باید آزاد شود. در کلیه اهر کاری دیگر، حفاظ ختانی باید بطور خودکار کار کند.
- پیش از قرار دادن اهر روی میز یا کف زمین، همیشه دقت کنید که حفاظ ختانی تیغه را پوشانده باشد. تیغه در صورت فقدان محافظت یا حرکت کردن باعث عقب رفتن اهر شده و هر چه را که در مسیر باشد خواهد برید. به مدت زمانی که بعد از رها کردن کلید طول می‌کشد تا تیغه متوقف شود توجه داشته باشید.

هشدارهای ایمنی اضافی

- افراد کمتر از ۱۶ سال نباید با این دستگاه کار کنند
- این ابزار برای برش خیس مناسب نیست
- با مواد حاوی آزیست کار نکنید (آزیست سرطانزا است)
- گرد و خاکی که از موادی مانند رنگ‌های حاوی سرب، برخی گونه‌های چوب، مواد معدنی و فلزات بلند می‌شود می‌تواند خطرناک باشد (ماس با این گرد و خاک یا تنفس آنها می‌تواند در کاربرد یا افراد نزدیک به محل کار واکنش‌های حساسیتی و یا بیماری‌های تنفسی ایجاد کند؛ یک ماسک مخصوص گرد و خاک بزیند و در صورت امکان از یک وسیله مکش گرد و خاک استفاده کنید
- برخی از گرد و خاک‌ها (مانند گرد و خاکی که از چوب بلوط یا راش بلند می‌شود) مخصوصاً در مجاورت آفرودنی‌های مخصوص چوب، سرطان‌زا هستند؛ یک ماسک مخصوص گرد و خاک بزیند و در صورت امکان از وسیله مکش گرد و خاک استفاده کنید

- از مقررات ملی مربوط به گرد و خاک موادی که می‌خواهید با آنها کار کنید پیروی نمایید
- از این اهر به همراه اهر رومیزی استفاده نکنید
- پیش از انجام هرگونه تغییر و یا عوض کردن متعلقات، باتری را از ابزار خارج کنید

- متعلقات**
- LIKS در صورتی که از متعلقات اصلی استفاده کنید عملکرد بدون مشکل ابزار را تضمین می‌نماید
- فقط از تیغه‌های مناسب استفاده کنید که با مشخصات فنی ارائه‌شده در این دستورالعمل‌های کاربری مطابقت داشته و در صورتی که برای چوب و لوازم چوب‌مانند طراحی شده‌اند. بر اساس V-AN ۱۰۷-۱ مورد آزمایش و علامت‌گذاری قرار گرفته باشند.

- متعلقات باید فقط با سرعت‌های چرخش مجاز که معادل بالاترین سرعت بدون بار ابزار هستند به کار برده شوند
- فقط از تیغه‌های/اصفحات سنگ برش با حداقل قطر ۵۱۱ میلی‌متر حداکثر قطر ۲۱۱ میلی‌متر و سوراخ شفت ۵.۹ میلی‌متری استفاده کنید
- هرگز با این ابزار از سنگ‌های سنباده استفاده نکنید
- سیستم‌های انتقال مواد و ذخیره سازی لوازم جانی باید با دقت باشد
- تیغه اهر صحیح مورد استفاده برای مواد برش را شناسایی کنید.

- پیش از استفاده**
- پیچ‌ها، میخ‌ها و سایر اجزا دیگر می‌توانند به قطعه کاری شما آسیب بزنند؛ بنابراین پیش از شروع کار آنها را بردارید
- پیش از شروع برش تمام موانع موجود در بالا یا زیر مسیر برش را بردارید
- قطعه کاری را محکم کنید (اگر قطعه کاری را با گیره‌های نگاری یا گیره‌های رومیزی ثابت کنید وسیله مطمئن‌تر از گرفتن آن با دست خواهد بود)
- برای پیدا کردن سیم و لوله‌های پنهان از شناساگرهای مناسب استفاده کنید یا برای کمک با شرکت خدمات محلی تماس بگیرید (ماس با سیم‌های برق موجب آتش‌سوزی و برق‌گرفتگی می‌شود. آسیب رساندن به لوله گاز سبب انفجار می‌شود؛ سوراخ کردن لوله‌های آب به ساختمان آسیب می‌رساند و موجب خطر برق‌گرفتگی می‌شود)

- حین استفاده**
- میزان صدای تولید شده توسط این ابزار در حین کار می‌تواند از ۸۵ دسی بل بیشتر شود؛ از گوشه‌های محافظ استفاده کنید

- هرگز بدون حفاظ ایمنی اصلی از این ابزار استفاده نکنید
- سعی نکنید قطعات کاری خیلی کوچک را با این ابزار برش کنید
- ابزار را پیش از اندازه به کار نگیرید
- در صورت بروز هرگونه گیر کردن یا اشکال برقی یا مکانیکی، فوراً ابزار را خاموش کنید و باتری آن را جدا کنید
- بعد از استفاده**
- وقتی که کار شما با برز تمام شد، حتماً موتور آنرا خاموش کرده و مطمئن شوید که تمام بخشهای متحرک آن از حرکت ایستاده اند
- بعد از خاموش کردن اهر گرد، هرگز سعی نکنید با وارد آوردن فشار از کنار چرخش تیغه اهر را متوقف کنید

- باتری‌ها**
- شارژ باتری ارائه‌شده کامل نیست (برای تضمین کامل بودن ظرفیت باتری باید باتری را پیش از اولین استفاده از دستگاه به‌طور کامل با شارژر باتری شارژ کنید)
- تنها از باتری‌ها و شارژرهای زیر با این ابزار استفاده کنید
 - باتری SKIL: BR1*۳۱۰۳۳۳۳۳۳۳۳
 - شارژر SKIL: CR1*۳۱۰۳۳۳۳۳۳۳
- اگر باتری آسیب دیده است از آن استفاده نکنید؛ باید آنرا عوض کنید
- باتری را از هم باز نکنید
- ابزار/باتری نباید در معرض باران قرار داده شود
- دمای محیطی مجاز (ابزار/شارژر/باتری):
 - هنگام شارژ ۴۰۰... ۴ درجه سانتیگراد
 - هنگام کار ۰... ۵۰ درجه سانتیگراد
 - قرار دادن در محل نگهداری ۰... ۵۰ درجه سانتیگراد

- شرح علائم و نمادها و ابزار/باتری**
- پیش از کار حتماً فرفرچه راهنما را مطالعه کنید
- ابزار/باتری‌ها در آتش انداخته شوند امکان انفجار آنها وجود دارد. بنابراین هرگز و به هیچ دلیلی باتری را نسوزانید
- ابزار/شارژر/باتری را در مکانی نگه دارید که دمای آن از ۰.۵ درجه سانتیگراد تجاوز نمی‌کند
- ابزار الکتریکی و باتری‌ها را نباید همراه با زباله‌های عادی خانگی دور انداخت

استفاده

- شارژ کردن باتری
- ! هشدارها و دستورالعمل‌های ارائه‌شده همراه شارژر را مطالعه کنید**
- برداشتن/قرار دادن باتری ①
- نشانگر شارژ باتری ②
- برای نمایش سطح کنونی باتری Va، دکمه نشانگر شارژر باتری AB را فشار دهید
- اگر با فشار دادن دکمه BA (V) b، نشانگر پایین‌ترین سطح باتری شروع به چشمک زدن کند، باتری تخلیه شده است**
- وقتی ۲ سطح از نشانگر باتری بعد از فشار دادن دکمه BA (V) c شروع به چشمک زدن کند، باتری در محدوده دمای کاری مجاز نیست**
- چراغ LED ④
- هنگامی که کلید روشن/خاموش را فعال می‌کنید چراغ LED به‌طور خودکار روشن می‌شود
- ! اگر سیستم محافظت باتری فعال شده باشد، چراغ DEL شروع به چشمک زدن می‌کند (بخش زیر را ملاحظه کنید)**
- محافظت باتری
- ابزار در شرایط زیر ناگهان خاموش شده و یا روشن نمی‌شود
- بار وارد بیش از حد مجاز است <- بار را بردارید و دستگاه را مجدداً راه‌اندازی کنید
- دمای باتری در محدوده دمای کاری مجاز ۰-۲۰ تا ۵۰+ درجه سانتیگراد نیست <- ۲
- سطح از نشانگر شارژر باتری هنگام فشار دادن دکمه Vc AB شروع به چشمک زدن می‌کند؛ یعنی شارژر باتری به محدوده دمای کاری مجاز بازگردد
- باتری عملاً تخلیه شده است (برای محافظت در برابر تخلیه عمیق) <- یک سطح باتری ضعیف یا سطح باتری ضعیف UB چشمک‌زن در صورت فشار دادن دکمه AB روی نشانگر سطح باتری دیده خواهد شد؛ باتری را شارژ کنید
- بعد از خاموش شدن خودکار ابزار کلید روشن/خاموش را مرتب فشار ندهید؛ امکان دارد باتری آسیب ببیند**
- سوار کردن تیغه ①
- ! باتری را از ابزار خارج کنید**
- کلید هگز A را از حافظه B بگیرد
- ضامن قفل‌کننده شفت را فشار دهید و آن را حین باز کردن پیچ تیغه BA با

از روی بدقتی می‌تواند در کسری از ثانیه موجب جراحات شدید شود.

4) استفاده صحیح از ابزار الکتریکی و مراقبت از آن

ا) از وارد کردن فشار زیاد روی دستگاه خودداری کنید. بری هر کاری. از ابزار الکتریکی مناسب با آن استفاده کنید. به کار گرفتن ابزار الکتریکی مناسب باعث می‌شود بتوانید کار را بهتر و به شیوه‌ای ایمن‌تر و با سرعت طراحی‌شده برای آن انجام دهید. ب) اگر ابزار با کلید روشن و خاموش نمی‌شود. از آن استفاده نکنید. ابزار الکتریکی که امکان روشن و خاموش کردن آن با کلید وجود ندارد. خطرناک است و باید تعمیر شود.

ت) قبل از هرگونه تنظیم، تعویض قطعات یا کنار گذاشتن دستگاه، دوشاخه را از برق بکشید و/یا اگر می‌توان باتری را جدا کرد. بسته باتری آن را خارج کنید. رعایت این اقدامات پیشگیرانه ایمنی خطر روشن شدن ناخواسته ابزار الکتریکی را کاهش می‌دهد.

ث) ابزار الکتریکی را در صورت عدم استفاده از دسترس کودکان دور نگه دارید و اجازه ندهید افراد ناوارد و یا ناشخصی که این تجهیزات را نخوانده‌اند. با این دستگاه کار نکنند. قرار گرفتن ابزار الکتریکی در دست افراد ناوارد و بی تجربه خطرناک است.

ج) از ابزار الکتریکی به خوبی نگهداری کنید. وجود نامیزانی یا اتصال میان اجزای متحرک، شکستگی قطعات و هرگونه وضعیت دیگری که ممکن است بر روی عملکرد ابزار الکتریکی تأثیر بگذارد را بررسی کنید. در صورت وجود آسیب. پی‌ش از استفاده از ابزار آن را تعمیر کنید. بسیاری از اتفاقات به دلیل عدم نگهداری مناسب از ابزار الکتریکی روی می‌دهد.

ح) ابزار هرس را تمیز و تمیز نگه دارید. ابزار هرسی که خوب مراقبت شده و دارای لبه‌های تیز هستند. کمتر رفته‌ها کار گیر کرده و بهتر قابل‌هدایت می‌باشند.

خ) ابزارهای الکتریکی. متعلقات و ابزاری که روی دستگاه نصب می‌شوند و غیره را مطابق دستورالعمل این جزوه راهنما به کار بگیرید و شرایط کاری و نوع کار را در نظر داشته باشید. استفاده کردن از ابزار الکتریکی برای کارهایی که برای آن طراحی نشده است می‌تواند بسیار خطرناک باشد.

د) دسته‌ها و سطوح دستگیرها را خشک، تمیز و عاری از روغن و گریس نگه دارید. در صورت لیز بودن دسته‌ها و سطوح دستگیرها امکان گرفتن و کنترل ایمن ابزار در شرایط غیرمنتظره وجود نخواهد داشت.

5) مراقبت و طرز استفاده از ابزارهای شارژی

ا) باتری‌ها را متحصراً در دستگاه‌هایی شارژ کنید که توسط سازنده توصیه شده باشند. شارژری که برای یک نوع بسته باتری مناسب است. ممکن است اگر برای شارژ بسته باتری دیگر استفاده شود خطر آتش‌سوزی ایجاد کند.

ب) در ابزار الکتریکی، تنها از باتری‌هایی استفاده کنید که برای آن در نظر گرفته شده‌اند. استفاده از باتری‌های متفرقه می‌تواند منجر به جراحات و حریق گردد.

ت) در صورت عدم استفاده از باتری باید آن را از گیره‌های فلزی، سکه، کلید، میخ، پیچ یا دیگر وسایل کوچک فلزی دور نگه دارید. زیرا این وسایل ممکن است باعث ایجاد اتصالی شوند. ایجاد اتصالی بین ترمینال‌های باتری می‌تواند باعث سوختگی یا ایجاد حریق شود.

ث) استفاده هم‌رویه از باتری می‌تواند باعث خروج مایعات از آن شود؛ در چنین شرایطی از دست زدن به آن خودداری کنید. در صورت تماس اتفاقی با آن. دست خود را با آب بشویید. در صورت تماس با مایع با چشم، به پزشک مراجعه کنید. مایع خارج‌شده از باتری می‌تواند باعث التهاب پوست و سوختگی شود.

ج) اگر یک بسته باتری با ابزار آسیب دیده یا دستکاری شده است. نباید از آن استفاده کنید. باتری‌های آسیب‌دیده یا دستکاری‌شده ممکن است کارکرد غیرقابل‌پیش‌بینی داشته باشند و منجر به آتش‌سوزی یا انفجار شوند یا خطر جراحات ایجاد کنند.

ح) بسته باتری یا ابزار را در معرض آتش یا دمای بسیار بالا قرار ندهید. قرار دادن در معرض آتش دمای بالاتر از ۳۱۰ درجه سانتیگراد می‌تواند باعث انفجار گردد.

خ) تمام دستورالعمل‌های شارژ را رعایت کنید و بسته باتری یا ابزار را در فرآیند از محدوده دمای ذکرشده در راهنما شارژ نکنید. شارژ نادرست یا شارژ کردن در دمای خارج از محدوده ذکرشده می‌تواند به باتری آسیب برساند و خطر آتش‌سوزی را بالا ببرد.

1۱) سرویس

ا) برای سرویس ابزار الکتریکی به تعمیرکار ماهر رجوع کنید و تنها از وسایل بدکی یکسان استفاده کنید. این باعث خواهد شد که ایمنی ابزار الکتریکی شما تضمین گردد.

ب) هرگز بسته‌های باتری آسیب‌دیده را سرویس نکنید. عملیات سرویس بسته‌های باتری باید فقط توسط سازنده یا مراکز خدماتی مجاز انجام شود.

هشدارهای ایمنی برای اره‌های گرد

روش های برش

ا) خطر: دست های خود را به ناحیه برش و تیغه نزدیک نکنید. اگر اره را با هر دو دست

خود بگیرید. تیغه نمی‌تواند دست شما را ببرد.

ب) سعی کنید دست خود را زیر قطعه کاری ببرید. حفاظ نمی‌تواند شما را از تیغه در زیر قطعه کاری محافظت کند.

ت) عمق برش را بر اساس ضخامت قطعه کاری تنظیم کنید. کمتر از یک دانه کامل تیغه باید از زیر قطعه کاری قابل مشاهده باشد.

ث) هرگز قطعه کاری که می‌خواهید برش زنید را با دست یا در میان پاهای خود نگهید. قطعه کاری را به جای ثابتی محکم کنید. بسیار مهم است که قطعه کار را با بطور صحیح محکم کنید تا از قرار گرفتن برش خود در معرض ابزار. گیر کنید تیغه و از دست رفتن جلوگیری نمایید.

ج) در جایی که ممکن است ابزار برش در حین کار با سیم‌های پنهان تماس پیدا کند. ابزار الکتریکی را فقط از دسته و سطوح عایق آن بگیرید. تماس با سیم دارای جریان برق می‌تواند منجر به جراحات فلزی ابزار برقی را در معرض برق قرار می‌دهد و ممکن است موجب برق‌گرفتگی کاربر شود.

ح) هنگام برش همیشه از یک حصار برش یا خطکش صاف لبه استفاده کنید. این کار فقط برش را افزایش داده و احتمال گیر کردن تیغه را کاهش می‌دهد.

خ) همیشه از تیغه‌هایی با اندازه و شکل سوراخ‌های میانی مناسب (لوزی شکل در مقایسه با گرد) استفاده کنید. کارکرد تیغه اره‌هایی که با قسمت‌های محل فرارگیری در اره تناسب نداشته باشند خارج از مرکز بوده و کنترل ابزار را از دست شما خارج خواهند ساخت.

د) هرگز از واشر یا پیچ تیغه آسیب دیده یا نادرست استفاده نکنید. واشر و پیچ تیغه بافتور خاص برای اره شما و تضمین کارکرد بهینه و ایمنی عملیات طراحی شده‌اند.

علل پارگی‌ها و هشدارهای مرتبط

- پس زدن به حرکت ناگهانی در واکنش به گیر کردن محدود یا همه جانبه یا تراز نبودن تیغه اره گتمه می‌شود که باعث می‌گردد اره به‌طور غیرقابل کنترلی بلند

شده و از قطعه کاری بریزد آمده و به سمت اپراتور برود.

- اگر تیغه در شکاف برش در حال بسته شدن به‌طور محدود یا همه جانبه گیر کند. تیغه از حرکت می‌ایستد و واکنش حرکتی موتور باعث می‌شود که دستگاه با سرعت و شدت بسیار زیاد به سمت اپراتور برود.

- اگر تیغه در برش پیچ و تابت برداشته یا از تراز خارج شود. ندانده لبه پشتی تیغه می‌تواند وارد سطح بالایی چوب شده و باعث شود که تیغه از شکاف برش خارج شده و به سمت اپراتور جهش کند.

- پس زدن در نتیجه استفاده غلط و/یا یکبارگی نادرست و یا در شرایطی روی می‌دهد که با رعایت توصیه های ایمنی زیر می‌توان از بروز آن جلوگیری کرد.

ا) اره را محکم با هر دو دست گرفته و بازوهای خود را طوری قرار دهید تا در برابر نیروهای پس زدن مقاومت کنید. پس زدن در یک سمت تیغه و نه در راستای تیغه

در صورت درجید. پس زدن می‌تواند باعث پرتاب شدن اره به عقب شود. اما نیروهای پس زدن در صورت رعایت نکات احتیاطی صحیح توسط اپراتور قابل کنترل هستند.

ب) اگر تیغه گیر کرده است و یا به هر دلیلی برش را متوقف می‌کنید. کلید قطع و وصل را رها کرده و اره را بدون حرکت در قطعه کاری نگاهدارید تا تیغه به توقف کامل برسد. اگر تیغه هنوز حرکت می‌کند هرگز سعی نکنید اره را از قطعه کاری خارج کرده یا اره را عقب بکشید چون پس خواهد زد. وضعیت کار را بررسی کرده و اقدامات اصلاحی لازم را برای رفع گیرکردگی تیغه بعمل آورید.

ت) هنگام راه‌اندازی دوباره اره در قطعه کاری. تیغه اره در مرکز شکاف برش قرار دهید و کنترل کنید که ندانده‌های اره با قطعه کاری درگیر نشده باشند. اگر تیغه اره گیر داشته باشد ممکن است در صورت از سر گرفتن کار اره. بلند شود یا از قطعه کاری پس بزند.

ث) برای صفحات بزرگ حائل و تکیه‌گاه قرار دهید تا خطر گیر کردن و پس زدن تیغه به حداقل برسد. احتمال دارد صفحات بزرگ به دلیل وزن خود تاب بردارند. به همین دلیل باید در سطح صاف از هر دو طرف. در مجاورت برش و پس از قطع تیغه نگاه قرار داد.

ج) از تیغه‌های با آسیب‌دیده استفاده نکنید. تیغه هایی که تیز نشده‌اند یا در دست سوار نشده‌اند را در شکاف برش بازرسی کنید که تیغه با باعث افزایش بیش از حد اصطکاک. گیر کردن تیغه و پس زدن می‌شود.

ح) اهرم‌های قفلی عمق تیغه و تنظیم زاویه برش باید پیش از برش محکم شوند. اگر تنظیمات تیغه در طول برش تغییر کند می‌تواند به گیر کردن تیغه و پس زدن منجر شود.

خ) هنگام برش در دیوارهای موجود و یا سایر بخشهای پنهان خیلی احتیاط کنید. تیغه جلواومد می‌تواند اشیا را ببرد و باعث پس زدن شود.

عملکرد حفاظ ختانی

ا) پیش از هر بار استفاده. بسته شدن صحیح حفاظ ختانی را کنترل کنید. اگر حفاظ ختانی آزادانه حرکت نمی‌کند و یا بی‌درنگ بسته نمی‌شود یا اره کار نکنید. هرگز

یکم استفاده ملامتة آلة بآلة آخري وكتعميم تمهيدى للتعرض للاهتزاز عند استخدام الآلة في التطبيقات الموضحة

- قد يؤدي استخدام الآلة في تطبيقات مختلفة أو مع ملحقات مختلفة أو ذات صيانة رديئة إلى زيادة مستوى التعرض بصورة كبيرة
- إن الفترة الزمنية التي يتم خلالها إيقاف تشغيل الآلة أو عندما تكون قيد التشغيل لكنها لا تؤدي أية مهام، قد تؤدي إلى تقليل مستوى التعرض بصورة كبيرة

! قم بحماية نفسك من تأثيرات الاهتزاز من خلال صيانة الآلة وملحقاتها، والحفاظ على يدك دافئتين وتنظيم أنماط العمل لديك



ددتعم شرفك نودب جدم راشنم تام ادخ تسال

مدمقم

- این ابزار برای اره کاری طولی و مقطعی خوب، تخته فشرده، تخته سهلا، آلومینیوم، کاشی، سنگ، پلاستیک و مصالح سبک ساختمانی با برش‌های صاف و زاویه برش تا ۵۴ درجه طراحی شده است
- این ابزار برای مصارف حرفه ای مناسب نیست.
- لطفاً این دفترچه راهنما را مطالعه کنید و نگه دارید.۳

اطلاعات فنی ۱

اجزای ابزار

- A آچار آلن
- B محل نگهداری آچار آلن
- C دسته
- D کلید استارت
- E کلید ایمنی
- F ضامن قفل کننده ی شفت
- G شلنگ مکش گرد و غبار
- H مبدل جاروبرقی
- J حفاظ برش
- K پیچ برای تنظیم تراز موازی
- L نشانگر خط برش
- M صفحه پایه
- N شیرهای تهویه
- P عمق سنخ
- Q کلید گردان برای تنظیم عمق اره کاری
- R حفاظ فوقانی
- S اهرم باز کننده حفاظ پایین
- T چراغ DEL
- U مهره تنظیم زاویه برش
- V نشانگر زاویه برش
- W حفاظ پایین
- X سطح گیره
- Y تیغه اره با لبه کاربرید
- Z فلنج
- AA پیچ تیغه
- BA دکمه نشانگر شمارز برتری
- CA تیغه اره از جنس فولاد سخت
- DA صفحه الماسه

ایمنی

راهنمایی‌های ایمنی عمومی برای ابزارهای الکتریکی

تأمی هشدارهای ایمنی، دستورالعملها، تصاویر و مشخصات ارائه شده همراه با این ابزار برقی را مطالعه کنید. در صورت عدم رعایت دستورالعمل‌های زیر خطر برق‌گرفتگی، آتش‌سوزی و/یا بروز آسیب‌های شدید وجود دارد.

همه هشدارها و راهنمایی‌ها را برای استفاده آتی نزد خود نگه دارید.

در این هشدارها عبارت «ابزار الکتریکی» به معنی ابزارهای الکتریکی فاقد باتری (با سیم) یا ابزارهای الکتریکی باتری‌دار (با سیم) است.

۱) ایمنی محل کار

- أ) محیط کار باید تمیز و دارای روشنایی مناسب باشد. محیط کار نامرتب و کم نور می‌تواند باعث سوانح کاری شود.
- ب) با ابزار الکتریکی در محیط‌هایی که در آن خطر انفجار وجود دارد، مانند محیط‌های حاوی مایعات، گازها و غبارهای محترقه، کار نکنید. ابزارهای الکتریکی جرقه‌هایی ایجاد می‌کنند که ممکن است غبارها یا بخارها را مشتعل کنند.
- ت) در هنگام کار با ابزار الکتریکی، کودکان و اطرافیان را از محل کار دور نگاه دارید. حواس پرتی می‌تواند باعث شود کنترل وسیله را از دست بدهید.

۲) ایمنی الکتریکی

أ) دوشاخه‌های ابزار الکتریکی باید با پریز همخوانی داشته باشند. دوشاخه را هرگز و به هیچ صورتی تغییر ندهید. برای ابزار ارت‌شده (دارای سیم اتصال به زمین) از دوشاخه‌های تبدیل استفاده نکنید. دوشاخه‌های بدون تغییر و پریزهای سازگار خطر برق‌گرفتگی را کاهش می‌دهند.

ب) از تماس بدن یا سطوح متصل به زمین یا ارت دار مانند لوله، رادیاتور، اجاق گاز و یخچال اجتناب کنید. اگر بدن شما ارت شود یا به زمین متصل شود خطر برق‌گرفتگی افزایش می‌یابد.

ت) ابزار الکتریکی را در معرض باران یا در محیط‌های مرطوب قرار ندهید. نفوذ آب به ابزار الکتریکی، خطر برق‌گرفتگی را افزایش می‌دهد.

ث) به سیم آسیب نرسانید. هرگز از سیم برای حمل کشیدن یا بیرون آوردن دوشاخه ابزار الکتریکی از پریز استفاده نکنید. سیم ابزار را از گرما، روغن، لبه های تیز و قطعات متحرک دور نگه دارید. سیم‌های آسیب‌دیده یا در هم پیچیده‌شده خطر برق‌گرفتگی را افزایش می‌دهند.

ج) به هنگام کار با ابزار الکتریکی در محیط باز از کابل رابط مناسب برای محیط باز استفاده کنید. استفاده از سیم مناسب برای استفاده در محیط باز خطر برق‌گرفتگی را کاهش می‌دهد.

ح) اگر کار با ابزار الکتریکی در محیطی مرطوب اجتناب‌ناپذیر است، از یک کلید حفاظتی جریان خطا و نشستی زمین (کلید قطع‌کننده اتصال با زمین) استفاده کنید. استفاده از کلید قطع‌کننده اتصال با زمین خطر برق‌گرفتگی را کاهش می‌دهد.

۳) رعایت ایمنی اشخاص

أ) هنگام کار با ابزار الکتریکی هشیار باشید. به کاری که می‌کنید دقت داشته باشید و از عقل سلیم خود استفاده کنید. به هنگام خستگی یا هنگام مصرف مواد الکلی یا دارو از ابزار الکتریکی استفاده نکنید. یک خطه غفلت هنگام کار با ابزار الکتریکی می‌تواند سبب وارد آمدن جراحت‌های شدید شود.

ب) از تجهیزات ایمنی شخصی استفاده کنید. همواره از عینک ایمنی استفاده کنید. استفاده از تجهیزات ایمنی مانند ماسک تنفسی گرد و غبار، کفش‌های ایمنی ضد لغزش، کلاه ایمنی و گوشی ایمنی متناسب با نوع کار با ابزار الکتریکی، خطر مجروح شدن را تقلیل می‌دهد.

ت) از روشن شدن ناخواسته ابزار جلوگیری کنید. پیش از اتصال به منبع برق و/یا بسته باتری، برداشتن یا حمل ابزار، اطمینان حاصل کنید که دکمه قطع و وصل در حالت خاموش قرار داشته باشد. در صورتیکه هنگام حمل دستگاه انگشت شما روی دکمه قطع و وصل باشد و یا دستگاه را در حالت روشن به برق بزنید، ممکن است سوانح کاری پیش آید.

ث) پیش از روشن کردن ابزار الکتریکی، هرگونه کلید یا آچار تنظیم‌کننده را بردارید. آچار یا کلیدهایی که روی بخش‌های چرخنده ابزار الکتریکی قرار دارند، می‌توانند باعث ایجاد جراحت شوند.

ج) هنگام کار با ابزار بیش از اندازه بدن خود را نکشید و متمایل نشوید. در همه حال جای ایستادن محکم داشته باشید و تعادل خود را حفظ کنید. به این ترتیب می‌توانید ابزار الکتریکی را در وضعیت‌های غیرمنتظره بهتر کنترل داشته باشید.

ح) مو و لباس خود را دور از قطعات متحرک نگاه دارید. لباس‌های نسل، زیورآلات یا مو بلند می‌توانند در قطعات متحرک گیر کنند.

خ) در صورتیکه می‌توانید وسایل مکش گرد و غبار و یا وسیله جذب زائده را به دستگاه نصب کنید. باید مطمئن شوید که این وسایل نصب و به شیوه‌ای درست استفاده می‌شوند. استفاده از وسایل مکش گرد و غبار می‌تواند خطرات مربوط به غبار را کاهش دهد.

د) اجازه ندهید آشنایی و تسلط حاصل از استفاده مکرر از ابزارها باعث شود حس کنید لازم نیست دقت داشته باشید و قوانین ایمنی ابزار را نادیده بگیرید. یک عمل

- حدوث رد فعل ارتدادي
- حرر زر قفل عمود الدوران F
- ضبط عمق القاطع (١٤٠٠ م) ④
- للحصول على أفضل جودة قطع، يجب ألا تمتد شفرة المنشار لمسافة تزيد عن ٣ م أسفل قطعة العمل
- حرر البكرة Q
- ارفع/انفض القدم M إلى أن يتم ضبط عمق القاطع المطلوب على المقياس باستخدام المؤشر P
- اربط البكرة Q
- ضبط زاوية القاطع (٥٤٠٠ درجة) ⑩
- حرر البكرة U
- قم بإمالة الآلة إلى أن يتم ضبط زاوية القاطع المرغوبة على المقياس باستخدام المؤشر V
- اربط البكرة U
- ! عند القاطع ميل مشطوب، فإن عمق القاطع لا يتوافق مع القيمة الموضحة على مقياس عمق القاطع
- مؤشر خط القاطع L ⑪
- لتوجيه الآلة على امتداد خط القاطع المطلوب الموضح على قطعة العمل
- للقطع المستقيم بزاوية ٠ درجة أو القاطع ميل مشطوب بزاوية ٤٥ درجة، استخدم خط المؤشر المعني
- ! يجب أن يستقر الجزء المعرض من القدم على الجزء المدعوم من قطعة العمل
- ! يتحدد عمق القاطع تبعًا لعرض أسنان الشفرة، وليس تبعًا لعرض جسم الشفرة
- ! قم دائمًا بإجراء تجارب قطع في البداية للتحقق من خط القاطع
- شفط الغبار ⑫
- لاستخدام المكنسة الكهربائية
- قم بتوصيل خرطوم المكنسة الكهربائية بمهايل المكنسة الكهربائية H
- ! لا تسمح مطلقًا بتداخل خرطوم المكنسة الكهربائية مع الوافي السفلي أو عملية القاطع
- ! لا تستخدم المكنسة الكهربائية عند قطع المعادن
- تشغيل الآلة
- تركيب البطارية
- احرص دائمًا على إمساك القبض C بإحكام
- ضع الآلة بحيث يكون الطرف الأمامي للقدم على قطعة العمل
- ! احرص على عدم انحسار أسنان المنشار في قطعة العمل
- قم بتشغيل الآلة عن طريق الضغط على البكرة E (مفتاح الأمان الذي لا يمكن قفله) أولاً، ثم اسحب الزناد D
- ! يجب أن تصل الآلة إلى كامل سرعتها قبل دخول الشفرة في قطعة العمل
- ينفث الوافي السفلي W تلقائيًا عند دخول شفرة المنشار في قطعة العمل (يمكنك فتح الوافي السفلي يدويًا عن طريق استخدام الزناد S، وذلك فقط عند عمل قواطع خاصة، مثل القاطع الغائر)
- ! لا تستخدم القوة المفرطة مع الآلة (استخدم ضغطًا خفيفًا ومستمرًا لتجنب السخونة المفرطة لحواف الشفرة)
- ! أثناء العمل، احرص دائمًا على الإمساك بالآلة في مناطق القبض
- بعد إتمام عملية القاطع، أوقف تشغيل الآلة عن طريق خري الزناد D
- ! تأكد من توقف الشفرة عن الحركة تمامًا قبل رفع الأداة عن قطعة العمل

نصائح الاستخدام

- احرص دائمًا على توجيه الجانب الجيد من قطعة العمل لأسفل لضمان الحد الأدنى من الانقسام لضمان الحد الأدنى من الخطايا عند نشر الأخشاب والمواد الشبيهة به.
- يعتمد أداء النشر وجودة القاطع بشكل أساسي على حالة شفرة المنشار وعدد أسنانه.
- استخدم فقط شفرات المنشار الحادة المناسبة للمادة التي يتم قطعها ⑬
- استخدم شفرة منشار من الصلب القوي AC ① عند قطع الخشب والألمنيوم والبلاستيك وجميع أنواع الخشب المصحف:
- استخدم قرص القاطع الماسي AD ② عند قطع السيراميك والبلات
- تبقى الشفرات ذات الأسنان المصنوعة من مادة الكرييد Y ③ حادة حتى ٣٠ مرة أكثر من الشفرات العادية.
- دليل القاطع المتوازي ⑭
- لتنفيذ عمليات قطع دقيقة على امتداد حافة قطعة العمل
- أدخل الدليل عبر الفتحات الموجودة في الطرف الأمامي للقدم

ضبط دليل القاطع المتوازي

- قم بفك المسمار K باستخدام مفتاح الأنتيكه A
- اضبط عرض القاطع المطلوب باستخدام تدريج دليل القاطع المتوازي (استخدم مؤشر خط القاطع L كمرجع صفري)
- اربط المسمار K جيدًا
- القاطع الغائر ⑮
- اضبط عمق القاطع المطلوب
- قم بإمالة الآلة للأمام بحيث يتحاذي مؤشر خط القاطع L مع خط القاطع المطلوب الموضح على قطعة العمل
- افتح الوافي السفلي W باستخدام الذراع S
- قبل إدخال الشفرة في قطعة العمل مباشرة، قم بتشغيل الآلة واخفض الجزء الخلفي منها تدريجيًا باستخدام الطرف الأمامي من القدم كمنقطة مفصلة
- حرك الآلة للأسفل وللأمام تدريجيًا
- بمجرد دخول الشفرة في المادة المراد قطعها، حرر الذراع S
- ! لا تقم مطلقًا بسحب الآلة للخلف
- قطع الألواح الكبيرة ⑯
- قم بدمع اللوح بالقرب من موضع القاطع، سواء على الأرضية أو الطاولة أو منصة العمل
- ! اضبط عمق القاطع بحيث ينفذ القاطع في اللوح وليس في الدعامة
- في حالة عدم تقديم دليل القاطع المتوازي لعمق القاطع المرغوب، قم بتثبيت قطعة الخشب بمشايك أو مسامير في قطعة العمل كدليل توجيهي.
- واستخدم الجانب الأيسر من القدم عكس اتجاه هذا الدليل ⑰
- لتريد من المعلومات، زر موقعنا www.moc.lik.s

الصيانة/الخدمة

- هذه الآلة غير معدة للاستخدام المهني
- احرص دائمًا على نظام الآلة (خاصة فتحات التهوية N)
- ! أزل البطارية من الآلة قبل التنظيف
- احرص دائمًا على إبقاء المنطقة المحيطة بالوافي السفلي W نظيفة (تخلص من الغبار والخطايا عن طريق نفخه بمضخة الهواء الضغوط أو باستخدام فرشاة)
- نظف شفرة المنشار بعد الاستخدام مباشرة (ويجب تنظيفها من الراتين والاصمغ بشكل خاص)
- إذا تعذر تشغيل الآلة على الرغم من الحذر الشديد في إجراءات التصنيع والاختبار، فيجب القيام بالإصلاحات بواسطة مركز خدمة ما بعد البيع للالات العاملة بالطاقة الخاصة بشركتنا SKIL
- قم بإرسال الآلة دون تفكيكها بالإضافة إلى إثبات الشراء إلى البائع أو أقرب مركز خدمة SKIL (العناوين بالإضافة إلى مخطط الخدمة متاح على www.skil.com)
- كن على علم بأن التلف الناتج عن زيادة التحميل أو التعامل مع الآلة بطريقة خاطئة سيتم استيعابها من الضمان (العرفة شروط ضمان SKIL انظر www.skil.com أو قم بسؤال التاجر)

البيئة

- لا تتخلص من الأدوات الكهربائية والبطاريات والمحفات ومواد التغليف مع النفايات المنزلية (الدول الاتحاد الأوروبي فقط)
- وفقًا للتوجيه الأوروبي 2002/96/CE الخاص بنفايات المعدات الكهربائية والإلكترونية، وتطبيقه بالتوافق مع القانون المحلي، يجب تجميع الأدوات الكهربائية منتهية الصلاحية بشكل منفصل وإرسالها إلى أحد منشآت إعادة التصنيع المتوافقة مع البيئة
- سيذكرك الرمز ① بهذا عند الحاجة إلى التخلص من أية آلة
- ! قبل التخلص من البطارية، قم بحماية أطراف توصيل البطارية بشريط قوي لمنع حدوث دائرة قصر (قفّل للدائرة)

الضوضاء/الاهتزاز

- عند القياس بالتوافق مع المعيار EN ٦٢٨٤١، يكون مستوى ضغط صوت هذه الآلة هو ٩٦ ديسيبل(A) ومستوى قوة الصوت هو ١٠٧ ديسيبل(A) (نسبة الشك K = ٣ ديسيبل)، والاهتزاز: * (مجموع الكميات الموجهة ثلاثي المحاور، نسبة الشك K = ١,٥ م/ثانية^٢)

* قطع الخشب > ٢,٥ م/ثانية^٢

* قطع المعادن > ٢,٥ م/ثانية^٢

- تم قياس مستوى انبعاثات الاهتزاز بالتوافق مع الاختبار المعياري المحدد في EN ٦٢٨٤١؛

القطع الأخرى. ينبغي تشغيل الواقي السفلي تلقائياً.
 (ث) احرض دائماً على تغطية الواقي السفلي للشفرة قبل إنزال المنشار على التضد أو الأرضية. ستسبب الشفرة غير المحمية والنازلة لأسفل في جعل المنشار يتحرك للخلف، قطعاً أي شيء يعترض طريقه. كن على دراية بالوقت اللازم للشفرة حتى تتوقف بعد رفع الأضبع عن الفتح.

تحذيرات السلامة الإضافية

- عام
- لا يجب استخدام هذه الآلة من قبل الأشخاص الذين يقل عمرهم عن 11 عامًا
- هذه الآلة غير ملائمة للقطع الربط
- لا تستخدم المنتج مع مواد تشتمل على الأسبستوس (يعتبر الأسبستوس مادة مسرطنة)
- الغبار الناتج من المواد الكائلاة الذي يحتوي على رصاص وبعض أنواع الأخشاب والعمان والمكونات المعدنية قد يكون ضاراً (ملاصقة أو استنشاق الغبار قد تسبب في إصابة المتشغل أو من يجاوره بأمراض الحساسية وأمراض الجهاز التنفسي).
- قم بارتداء قناع للغبار مع العمل باستخدام جهاز شفط للغبار. طالما أمكن توصيله
- ثمة أنواع معينة من الغبار تصنف على أنها مواد مسببة للسرطان (مثل غبار خشب البلوط والزان). خاصة عند استخدامها مع مواد مضافة لمعالجة الخشب: قم بارتداء قناع للغبار مع العمل باستخدام جهاز شفط للغبار طالما أمكن توصيله
- الزخم بالمتطلبات الوطنية الخاصة بالغبار عند العمل باستخدام المواد المطلوبة
- لا تستخدم هذا المنشار مع منضدة النشر
- احرض على إزالة البطارية من الآلة قبل إجراء أي عمليات ضبط أو تغيير على أي من الملحقات
- الملحقات
- LIKS التشغيلي السلس للآلة عند استخدام الملحقات الأصلية فقط.
- استخدم فقط شفرات المنشار التي تتوافق مع بيانات المواصفات الموضحة في تعليمات التشغيل هذه التي تم اختبارها ووسمها كمنتج متوافق مع المعيار NE V64-1؛ إذا كان سيتم استخدامها مع المواد الخشبية وأشباهها.
- استخدم فقط الملحقات بالسرعة المسموح بها، والتي تتوافق على الأقل أعلى سرعة للآلة بدون حمل
- لا تستخدم بسوى شفرات المنشار/أقراص القطع التي يبلغ قطرها 511 مم بحد أدنى 210 مم بحد أقصى. وقطر فتحة عمود دوران تبلغ 5.9 مم
- لا تقم مطلقاً باستخدام أقراص التخليج مع هذه الآلة
- يجب التعامل مع الملحقات وتخزينها بعناية
- تحديد شفرة المنشار المناسبة للمواد المراد قطعها.

قبل الاستخدام

- تجنب التلف الذي قد تسبب فيه البرازي والمسامير والعناصر الأخرى الموجودة في القطعة التي تعمل بها، قم بفكهم قبل بدء العمل.
- قبل بدء القطع، قم بإزالة جميع العوائق التي توجد أعلى وأسفل مسار القطع
- ثبت قطعة العمل (القطعة التي يتم تثبيتها بمعدات تثبيت أو في منجلة تكون ثابتة بشكل أكثر أماناً عن إمساكها باليد)
- استخدم كاشفات ملائمة للعثور على خطوط المرافق الخفي أو تواصل مع شركة المرافق المحلية للحصول على المساعدة (الغلاص مع خطوط إمداد الكهرباء قد يؤدي إلى حدوث حريق أو صدمة كهربائية؛ وتلف خط الغاز قد يؤدي إلى حدوث انفجار؛ واختراق أنابيب المياه ستسبب في حدوث ضرر في الممتلكات أو صدمة كهربائية)

أثناء الاستخدام

- أثناء استخدام الضوضاء أثناء العمل عن 58 ديسيبل(أ)، لذا قم بارتداء واقيات للأذن
- يحظر نهائيًا استخدام الآلة بدون نظام واقيات الحماية الأصلي
- لا حاول العمل على القطع الصغيرة للغاية
- لا تستخدم الآلة فوق مستوى الرأس
- في حالة حدوث احتشار، أو خلل كهربائي أو ميكانيكي، أوقف تشغيل الآلة فوراً وأزل البطارية
- بعد الاستخدام
- عند وضع الآلة جانباً، أوقف تشغيل المحرك وتأكد من توقف جميع الأجزاء المتحركة بشكل تام.
- بعد إيقاف تشغيل المنشار الدائري، لا تقم مطلقاً بإيقاف دوران شفرة المنشار باستخدام قوة خارجية عليها.

البطاريات

- البطارية الرفيقة مشحونة جزئياً الضمان الحصول على كامل طاقة البطارية. قم بشحن البطارية بالكامل من خلال الشاحن قبل استخدام الآلة للمرة الأولى
- استخدم البطاريات والشواحن التالية فقط مع هذه الآلة
- بطارية SKIL: BR1 3100000000

- شاحن SKIL: CR1 3100000000

- لا تستخدم البطارية إذا تعرضت للتلف؛ ويجب استبدالها
- لا تقم بتفكيك البطارية بنفسك
- لا تقم بتعرض الآلة/البطارية للمطر
- درجة الحرارة المحيطة بالمنجم بها (الآلة/الشاحن/البطارية):
 - أثناء الشحن 4 إلى 40 درجة مئوية
 - أثناء التشغيل 200 إلى 500 درجة مئوية
 - أثناء التخزين 200 إلى 500 درجة مئوية

شرح الرموز الموجودة على الآلة/البطارية

Ⓜ اقرأ دليل التعليمات قبل الاستخدام

- Ⓜ قد تنفجر البطاريات عندما تتعرض للحرارة، لذا لا خرق البطارية لأي سبب
- Ⓜ قم بتخزين الآلة/الشاحن/البطارية في أماكن لا تتجاوز درجة الحرارة فيها 50 درجة مئوية
- Ⓜ لا تتخلص من الآلات الكهربائية والبطاريات مع النفايات المنزلية

الاستخدام

شحن البطارية

! اقرأ تحذيرات وتعليمات السلامة المرفقة مع الشاحن

Ⓜ خلع/تركيب البطارية

Ⓜ مؤشر شحن البطارية

- اضغط زر مؤشر شحن البطارية AB لعرض مستوى شحن البطارية الحالي

Ⓜ a

! عند بدء مستوى الحد الأدنى لمؤشر البطارية في الوميض بعد الضغط على

الزر BA (b.v). فهذا معناه أن البطارية فارغة الشحن

! عند بدء مستويين من مؤشر البطارية في الوميض بعد الضغط على الزر

BA (c.v). فهذا معناه أن البطارية ليست في نطاق درجة حرارة التشغيل

المسموح بها

Ⓜ مصباح LED T (A)

! يضيء مصباح LED تلقائياً عند بدء تشغيل الآلة

! عندما يبدأ مصباح DEL في الوميض، يتم تنشيط خاصية حماية البطارية

(انظر أدناه)

حماية البطارية

تتوقف الآلة عن العمل بشكل مفاجئ، أو لا يمكن تشغيلها في الحالات التالية

- الحمل زائد للغاية -- تخلف من الحمل وأعد التشغيل

- درجة حرارة البطارية ليست في نطاق درجة حرارة التشغيل المقبولة وهو 200

500 درجة مئوية -- تبدأ مستويات مؤشر شحن البطارية في الوميض

عند الضغط على الزر Vc: انتظر حتى عودة البطارية إلى نطاق درجة حرارة

التشغيل المقبولة

- شحن البطارية بكاد يكون فارغاً (للحماية من التفريغ العميق للشحن) --

يقم عرض مستوى الشحن المنخفض للبطارية أو يومض مستوى شحن

البطارية المنخفض عن 80 من خلال مؤشر شحن البطارية عند الضغط على الزر

AB: اشحن البطارية

! لا تستمر في الضغط على زر التشغيل/الإيقاف بعد توقف الآلة بشكل

تلقائي: لأن البطارية قد تكون تالفة

Ⓜ تركيب شفرة المنشار

! أزل البطارية من الآلة

- أخرج مفتاح الأتكيه A من موضع التخزين B

- اضغط على زر قفل عمود الدوران F وثبته أثناء خلع مسمار الشفرة AA عن

طريق إدارة مفتاح الأتكيه في اتجاه عقارب الساعة (= في نفس اتجاه السهم

الطبيوع على شفرة المنشار)

! لا تقم برفع زر قفل عمود الدوران F إلا أثناء توقف الآلة عن العمل تماماً

- حرر زر قفل عمود الدوران F

- اخلع الشفة Z

! تأكد من أن أسطح التثبيت X للشفة نظيفة تماماً وناحية الشفرة

افتح الواقي السفلي W باستخدام الذراع S وثبته بينما تقوم بتركيب شفرة

المنشار بحيث تكون أسنان المنشار والسهم المطبوع على شفرة المنشار في

نفس اتجاه السهم الموجود على الواقي العلوي

- حرر الواقي السفلي W

- اقم بتركيب الشفة Z

- دفع زر قفل عمود الدوران F وثبته بينما تقوم بربط مسمار الشفرة بمفتاح

الأتكيه حوالي 1/1 دورة بعد استكمال الربط بالإضبع (فهذا يضمن تثبيت

شفرة المنشار عند تعرضها لمقاومة زائدة أو عند تعرض المحرك لحمل زائد أو

العاملة بالطاقة بشكل خاص؛

(ث) خزن الأداة العاملة بالطاقة المضبوطة على وضع الاستعداد بعيداً عن متناول أيدي الأطفال. ولا تسمح للأشخاص غير المتدربين على الأداة العاملة بالطاقة أو على هذه التعليمات بتشغيل الأداة العاملة بالطاقة. الآلات العاملة بالطاقة تكون خطيرة في أيدي الأشخاص غير المدربين.

(ج) حافظ على الآلات العاملة بالطاقة والمحفلات. خقق ما إذا كان هناك عدم محاذاة أو ربط للأجزاء المتحركة، وعدم وجود أجزاء مكسورة وأي حالة أخرى قد تؤثر على تشغيل الآلة العاملة بالطاقة. إذا كان هناك تلف، فقم بإصلاح الآلة العاملة بالطاقة قبل استخدامها. والقائدين من الحوادث يكون سببها الآلات التي لم تتم صيانتها.

(ح) احتفظ بالأدوات الفاطعة حادة ونظيفة. الأدوات الفاطعة التي تتم صيانتها كما ينبغي للاحتفاظ بحوافها الفاطعة حادة تكون أقل عرضة للانحناء وسهل التحكم فيها.

(خ) استخدم الآلة والمحفلات واللقم وما شابههم وفقاً لهذه التعليمات. مع الأخذ في الاعتبار بظروف العمل والأعمال التي سيتم تنفيذها، قد يؤدي استخدام الآلة في أعمال غير تلك المخصصة لها إلى حوادث خطيرة.

(د) احتفظ بالمقبض وأسطح الإمساك جافة ونظيفة وخالية من الزيوت والشحوم. لأن المقابض وأسطح الإمساك المنزقة لا تمنح القدرة على التعامل والتحكم الآمنين في الآلة في الظروف غير المتوقعة.

٧) استخدام الآلة العاملة بالبطارية والعناية بها

(أ) لا تعد شحن الآلة إلى باستخدام الشاحن المحدد من قبل الشركة الصانعة. فالشاحن الملائم نوعاً ما من مجموعات البطارية قد يتسبب في نشوب حريق إذا تم استخدامه مع مجموعة بطارية أخرى.

(ب) استخدم الآلات العاملة بالطاقة مع مجموعات البطاريات المخصصة لها فقط. استخدام أي مجموعات بطاريات أخرى قد ينشأ عنه خطر الإصابة أو نشوب حريق.

(ت) عند عدم استخدام مجموعة البطارية، احتفظ بها بعيداً عن الأغراض المعدنية الأخرى مثل مشابك الأرواق أو العملات المعدنية أو المفاتيح أو المسامير أو البراغي أو الأغراض المعدنية الصغيرة الأخرى التي قد تتسبب في عمل دائرة قصر (فقل للدائرة) بين أقطاب البطارية. عمل دائرة قصر (فقل للدائرة) بين أطراف البطارية قد يتسبب في حروق أو نشوب حريق.

(ث) في حالات التعامل السريء، قد يحدث ارتشاح للسوائل من البطارية؛ لا تلامسه. إذا حدثت ملامسة بشكل عرضي، فافسأها بالماء. إذا لامس السائل العينين، فاطلب المساعدة الطبية على الفور. السائل الخارج من البطارية قد يتسبب في احتياج الجلد أو حدوث حروق به.

(أ) لا تستخدم المجموعة البطارية أو الآلة إذا كانا تالفين أو تم إدخال تعديلات عليها. لأن البطاريات التالفة أو التي تم تعديلها قد تعمل بشكل غير متوقع، وهو ما قد يؤدي لنشوب حريق أو حدوث انفجار أو خطر التعرض لإصابة.

(ب) لا تقم بتعرض مجموعة البطارية أو الآلة للحريق أو درجات الحرارة الزائدة. التعرض لدرجات الحرارة الأعلى من ٢١ درجة مئوية قد يؤدي لحدوث انفجار.

(ت) اتبع تعليمات الشحن ولا تنضح مجموعة البطارية أو الآلة في نطاق درجة حرارة خارج النطاق المحدد في التعليمات. قد يؤدي الشحن غير المضبوط أو في درجات حرارة خارج النطاق المسموح به إلى تلف البطارية وخطر نشوب حريق.

٨) الصيانة

(أ) ينبغي إجراء الصيانة على الآلة بواسطة فني إصلاح متخصص باستخدام قطع غيار أصلية مطابقة فقط. فهذا سيضمن المحافظة على سلامة الآلة.

(ب) لا تقم بصيانة مجموعات البطارية التالفة بأي حال من الأحوال، بل ينبغي أن تكون صيانة مجموعات البطارية من خلال الشركة الصانعة أو مقدمي الخدمة المعتمدين فقط.

تعليمات السلامة للمناشير الدائرية

إجراءات القطع

(أ) خطر: احتفظ باليدين بعيداً عن منطقة القطع والشفرة. إذا كنت تمسك المنشار، يكتنا اليدين. فلن تلحق بهما الشفرة.

(ب) لا تضع يديك تحت القطعة التي تعمل عليها. لا يمكن للواقى أن يحميك من الشفرة أسفل القطعة التي تعمل عليها.

(ت) عدّل عمق القطع بحيث يتناسب مع سُمك القطعة التي تعمل عليها. ينبغي ألا يظهر أكثر من سن كامل من أسنان المنشار أسفل القطعة التي تعمل عليها.

(ث) لا تحسك قطعة العمل بعيداً أو بين سافك أبداً أثناء القطع. بل ضعها على منصة عمل ثابتة. من المهم عدم العمل كما ينبغي للحد من تعرض الجسم. أو انثناء الشفرة. أو فقد التحكم.

(ج) أسكس بالآلة العاملة بالطاقة من أسطح الإمساك المعزولة. وذلك عند القيام

بأعمال قد تلحق فيها أداة القطع بأسلاك مخفية. التلامس مع سلك تيار "جارٍ" قد يجعل الأجزاء المعدنية المكشوفة بالآلة "مكهربة". ويتسبب في إصابة مُشغّل الآلة بصدمة كهربائية.

(ح) عند عمل شق، استخدم دائماً حاجز شق أو دليل توجيه على الحافة. يحسّن ذلك من دقة القطع. ويحد من فرصة انثناء الشفرة.

(خ) استخدم دائماً شفرات بحجم وشكل مناسبين (الكتيّن مقابل المستدير) لفحلات التعريشة. الشفرات غير المتوافقة مع مواضع تركيبها بالمنشار ستتحرك بشكل غير طبيعي متسببة في فقد السيطرة.

(د) لا تستخدم أبداً ورقة أو مسمار شفرة تالف أو غير صحيح. ورده ومسمار الشفرة تم تصميمهما خصيصاً للمنشار، وذلك لتحقيق أقصى أداء وسلامة التشغيل.

أسباب رد الفعل الارتدادي والتحذيرات ذات الصلة

- رد الفعل الارتدادي هو رد فعل مفاجئ عند انحسار أو انضغاط أو عدم محاذاة شفرة المنشار، وهو ما يتسبب خروج المنشار عن السيطرة بالارتفاع لأعلى والخروج من القطعة التي تعمل عليها في الجاهك.

- عند انحسار أو انضغاط الشفرة بشكل حاد بسبب الشق، فإن الشفرة تنهار و رد فعل المحرك يجعل الوحدة تتحرك بسرعة للخلف في اتجاه المستخدم.

- إذا صارت الشفرة منتبحة أو غير متجانبة في القطع، فإن الأسنان في الحافة الخلفية للشفرة قد خُفر في السطح العلوي للخشب مسببة فخر الشفرة خارج النشق وارتدادها للخلف في اتجاه المستخدم.

رد الفعل الارتدادي يكون نتيجة لسوء استخدام المنشار، أو اتباع إجراءات أو شروط تشغيل غير صحيحة. ويمكن تجنبها باتخاذ الاحتياطات اللامتنة كما هو موضح أدناه.

(أ) أسكس بالمقبض بإحكام على المنشار مع جعل ذراعك في وضع مناسب لمقاومة قوى رد الفعل الارتدادي. اجعل جسمك على جانب من جانبي الشفرة. وليس في محاذتها. قد يتسبب رد الفعل الارتدادي في ارتجاج المنشار للخلف. ولكن يمكن التحكم من قوى رد الفعل الارتدادي بواسطة المستخدم إذا تم اتباع الاحتياطات اللامتنة.

(ب) عند انثناء الشفرة، أو عند إيقاف القطع لأي سبب من الأسباب. حرر الزر الترنبركي وأسكس المنشار بلا حراك في القطعة التي تعمل عليها حتى تتوقف الشفرة تماماً. لا تحاول أبداً إزالة المنشار من القطعة أو سحب المنشار للخلف بينما الشفرة تتحرك أو عند احتمالية حدوث رد فعل ارتدادي. خقق من المشكلة واتخذ الإجراءات الصحيحة لتحللحسب سبب انثناء الشفرة.

(ت) عند معاودة العمل بالمنشار في القطعة. قم بتوسيط شفرة المنشار في الشق بحيث تصبح أسنان المنشار غير متشابكة في المادة. إذا انثنت شفرة المنشار، فقد تفقر لأعلى أو ترتد للخلف من القطعة التي تعمل عليها بعد إعادة تشغيل المنشار.

(ث) ادعم الألواح الكبيرة للحد من خطر انحسار الشفرة أو حدوث رد فعل ارتدادي. تميل الألواح الكبيرة إلى الارتخاء بفعل وزنها. ينبغي وضع الدعائم تحت اللوح على كلا الجانبين. بالقرب من خط القطع أو بالقرب من حافة اللوح.

(أ) لا تستخدم شفرات ضعيفة أو تالفة. الشفرات غير الحادة أو غير المضبوطة كما ينبغي قد ينشأ عنها شق ضيق. وهو ما يتسبب في احتكاك زائد وانثناء الشفرة و حدوث رد فعل ارتدادي.

(ب) ينبغي ربط أرنج عمق الشفرة وقفل تعديل الحافة المثاللة وتأمينها قبل البدء بالقطع. إذا تغير وضع ضبط الشفرة أثناء القطع، فقد يتسبب ذلك في انثناء الشفرة و حدوث رد فعل ارتدادي.

(ت) كن حذراً زيادة عند القطع في الخواط الحالية أو النطاقات غير النافذة الأخرى. قد تقطع الشفرة النانئة الأشياء التي قد تتسبب في حدوث رد فعل ارتدادي.

وظيفة الواقى السفلي

(أ) خقق من إغلاق الواقى السفلي كما ينبغي قبل كل استخدام. لا تقم بتشغيل المنشار إذا كان الواقى السفلي لا يتحرك بحرية ويتغلق بشكل فوري. لا تقم بشبك أو ربط الواقى السفلي في الوضع المفتوح. إذا سقط المنشار على الأرض بشكل عرضي، فإن الواقى السفلي قد ينثنى. ارفع الواقى السفلي بالمقبض القبالي للسحب. وتأكد من حركته بحرية مع عدم ملامسته للشفرة أو أي جزء آخر في جميع زوايا وأعماق القطع.

(ب) خقق من زوياً زمبرك الواقى السفلي. إذا لم يكن الواقى والزمبرك يعملان كما ينبغي، فينبغي صيانتها قبل الاستخدام. قد يعمل الواقى السفلي ببطء بسبب الأجزاء التالفة أو التراكمت الصغيفة أو الرواسب المتراكمة.

(ت) يمكن سحب الواقى السفلي للخلف يدوياً فقط لعمل الفطوح الخاصة مثل "الفطوح العميقة" و"الفطوح للمضاعفة". ارفع الواقى السفلي بسحب المقبض. وما أن تدخل الشفرة في القطعة، ينبغي تحرير الواقى السفلي مرة أخرى. جميع أعمال

دعوتكم شركف نودب جم دم راشنم تام ادخ تسال

٣٥٤٠

قم دمق

- تم تصميم هذه الآلة لنشر الأخشاب بشكل طولي وعرضي. والألواح الخشبية المضغوطة، والأبلكاش، والألومنيوم، والبلاط، والأحجار، والبلاستيك، ومواد البناء خفيفة الوزن من خلال عمل قطع مستقيمة أو قطع زاوية حتى ٥٤ درجة.
- هذه الآلة غير معدة للاستخدام الاحترافي.
- اقرأ دليل التعليمات هذا واحفظ به. (١)

البيانات الفنية ١

مكونات الآلة ٢

A	مفتاح الأتكيه
B	موضع تخزين مفتاح الأتكيه
C	مقبض
D	المفتاح الزنبركي
E	مفتاح الأمان
F	زر قفل عمود الدوران
G	منفذ استخراج الغبار
H	مهاين المكنسة الكهربائية
J	دليل القطع المتوازي
K	مسمار لضبط دليل القطع المتوازي
L	مؤشر خط القطع
M	القاعدة السفلية
N	فحات التهوية
P	مؤشر عمق القطع
Q	بكرة لضبط عمق النشر
R	الواقف العلوي
S	ذراع لفتح الواقف السفلي
T	مصباح DEL
U	بكرة لضبط زاوية القطع
V	مؤشر زاوية القطع
W	الواقف السفلي
X	سطح التثبيت
Y	شفرة المنشار بطرف من الكريبد
Z	شفة
AA	مسمار الشفرة
BA	زر مؤشر شحن البطارية
CA	شفرة منشار الصلب المنوي
DA	قرص قطع ماسي

السلامة

خذيرات السلامة العامة المتعلقة بالآلة العاملة بالطاقه

⚠️ خذيراقرا جميع خذيرات السلامة والتعليمات والرسوم التوضيحية والمواصفات المرفقة مع هذه الآلة. عدم اتباع جميع التعليمات الواردة أدناه قد يؤدي إلى حدوث صدمة كهربائية أو نشوب حريق أو التعرض للإصابة. أحدها أو جميعها.

احتفظ بجميع التحذيرات والتعليمات للرجوع إليها في المستقبل.

يشير مصطلح "آلة عاملة بالطاقه" في قسم التحذيرات إلى الآلة العاملة بالطاقه (الموصله بسلك تيار) أو الآلة العاملة بالبطارية (غير الموصولة بسلك تيار).

١) سلامة منطقة العمل

أ) حافظ على منطقة العمل نظيفة ومضاهة جيداً، حيث عادة ما تتسبب المناطق المظلمة أو التي بها ركام إلى وقوع حوادث.

ب) لا تقم بتشغيل الآلات العاملة بالطاقه في أجواء قابلة للانفجار. على سبيل المثال

في وجود سوائل أو غازات أو غبار قابلة للاشتعال. فقد تتسبب الآلات العاملة بالطاقه في صدور شرارة، والتي قد تتسبب في اشتعال الغبار أو الأبخرة القابلة للاشتعال.

ت) احتفظ بالأطفال والشاهدين بعيداً عن موقع استعمال الآلة العاملة بالطاقه. حيث أن الإلهاءات قد تجعلك تفقد السيطرة على الآلة.

٢) السلامة الكهربائيه

أ) ينبغي أن يتوافق قاييس الآلة العاملة بالطاقه مع مقبس التيار. لا يجب إدخال تعديلات على القاييس بأي حال من الأحوال. لا تستخدم أي قوايس مهاينه مع الآلات العاملة بالطاقه المؤرضه، ستؤدي القوايس غير المعدلة والمقاييس المتوافقه إلى الحد من خطر حدوث صدمة كهربائيه.

ب) تجنب ملامسة الجسم لاسطح مؤرضه مثل الأنابيب والمشعاع والمواقد والثلاجات. هناك خطر متزايد لحدوث صدمة كهربائيه إذا كان جسمك مؤرضاً.

ت) لا تقم بتعرض الآلات العاملة بالطاقه للمطر أو الأجواء الرطبه. حيث سيؤدي الماء الذي يدخل إلى الآلة العاملة بالطاقه إلى زيادة خطر حدوث صدمة كهربائيه.

ث) لا تعيب بسلك التيار لا تقم أبداً باستخدام سلك التيار لحمل الآلة العاملة بالطاقه أو سحبها أو فصلها عن التيار. احتفظ بالسلك بعيداً عن مصادر الحرارة أو الزيت أو الخواف الحادة أو الأجزاء المتحركة. تؤدي أسلاك التيار التالفة أو المتشابكة إلى زيادة خطر حدوث صدمة كهربائيه.

٣) عند تشغيل آلة عاملة بالطاقه في مكان خارجي مفتوح. استخدم سلك تمديد ملائم للاستخدام الخارجي. استخدم سلك ملائم للاستخدام الخارجي يحد من خطر حدوث صدمة كهربائيه.

٤) إذا كان لابد من تشغيل الآلة في مكان رطب. فاستخدم مصدر تيار محمي بقاطع تيار متبقي (DCR). يؤدي استخدام قاطع التيار المتبقي إلى الحد من خطر حدوث صدمة كهربائيه.

٥) السلامة الشخصيه

أ) ابق منتهيًا، وانتبه جيداً لما تفعله، وكن وعلائيًا عند تشغيل آلة تعمل بالطاقه. لا تستخدم آلة تعمل بالطاقه وأنت مجهد أو تحت تأثير الخدرات أو الكحوليات أو الأدوية. قد تؤدي خطأ من عدم الانتباه أثناء تشغيل الآلات العاملة بالطاقه إلى حدوث إصابات شخصية خطيرة.

ب) استخدم أدوات حماية شخصية، واربد دائماً أدوات حماية للعينين. سيؤدي استخدام أدوات الحماية كقفاز الغبار أو أحذية السلامة المضادة للانزلاق أو القبعه الصلبه أو أدوات حماية السمع في ظروف مناسبة إلى الحماية من الإصابات الشخصيه.

ت) ابدع عند تشغيل الآلة غير التعمد. احرص على أن يكون مفتاح الطاقه في وضع الإيقاف قبل توصيل الآلة بمصدر التيار أو مجموعة البطاريات، أو النفاط الآلة أو حملها. قد يؤدي حمل الآلات العاملة بالطاقه وأصبك على مفتاح التشغيل أو شحن الآلات العاملة بالطاقه ومفتاح التشغيل في وضع التشغيل إلى وقوع حوادث.

ث) أزل أي مفتاح تعديل أو مفتاح ربط قبل تشغيل الآلة العاملة بالطاقه. قد يؤدي ترك مفتاح ربط أو مفتاح عادي مركبًا على جزء دوار بالآلة العاملة بالطاقه إلى وقوع إصابات شخصيه.

ج) لا تقف في مكان يُضطر فيه لد بديك بعيداً. فف وأنت ثابت ومتوازن في جميع الأوقات. وهو ما يسمح بتحكم أفضل في الآلة العاملة بالطاقه في الظروف غير المتوقعه.

ح) احتفظ بشعرك وملابسك بعيداً عن الأجزاء المتحركة. قد تعلق الملابس الفضفاضة أو الجوهيرات أو الشعر الطويل في الأجزاء المتحركة.

خ) إذا تمت إتاحة الأجهزة لتوصيل مرافق استخلاص وجمع الغبار، فتأكد من توصيلها واستخدامها على نحو ملائم. قد يؤدي استخدام جمع الغبار إلى الحد من المخاطر المرتبطه به.

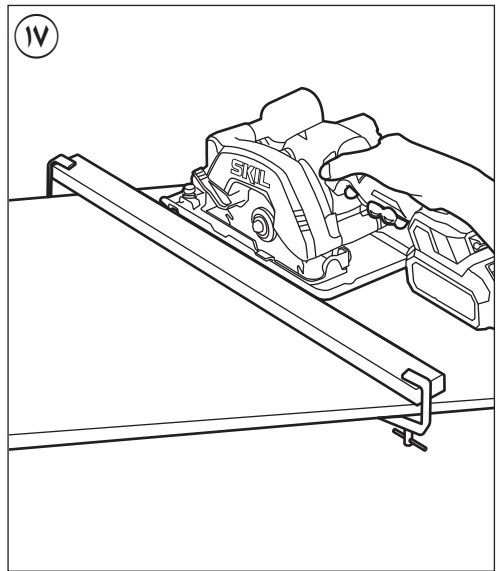
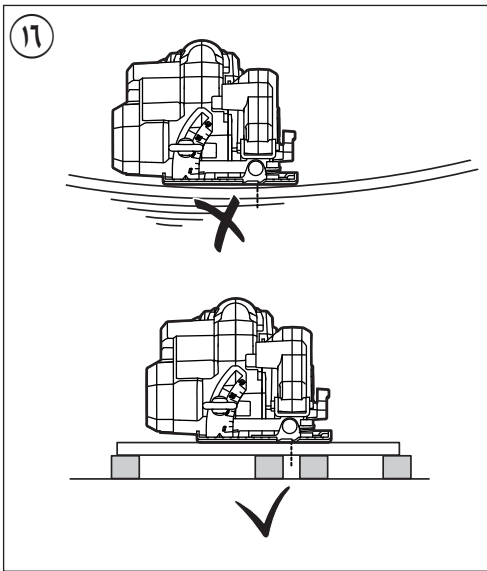
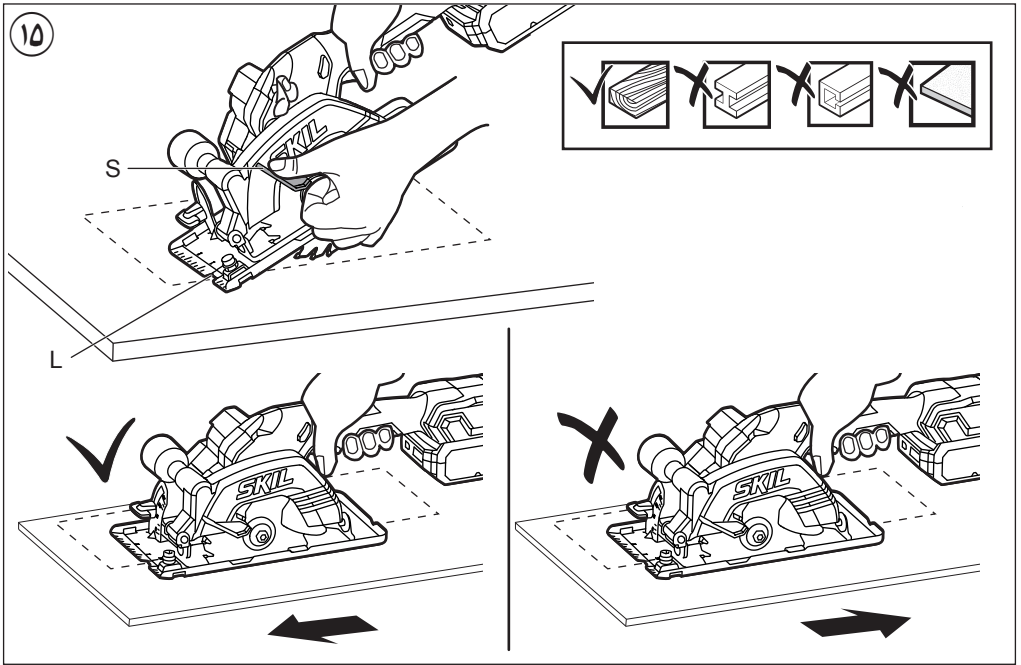
د) لا تدع الخبرة المكتسبه من الاستخدام المتكرر للآلات يجعلك تتعامل دون الانتباه اللازم وتجاهل مبادئ السلامة المتعلقة بالآلة. فقد يتسبب أي إجراء غير مدروس في إصابات خطيرة في جزء من الثانيه.

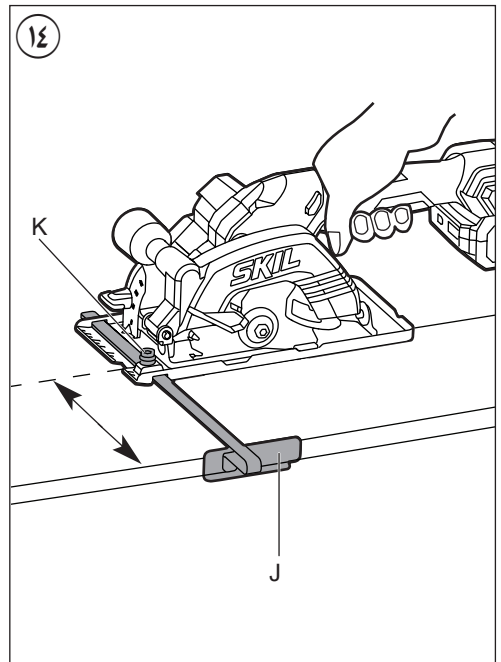
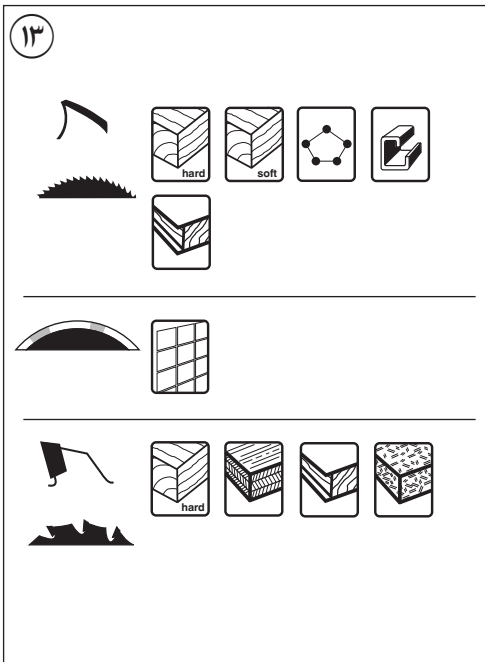
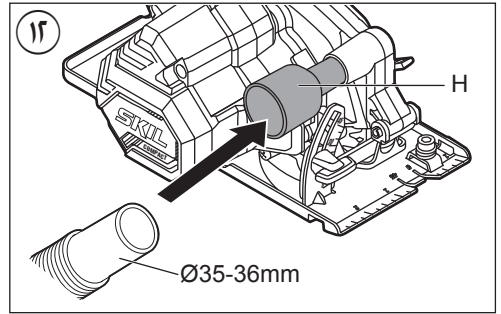
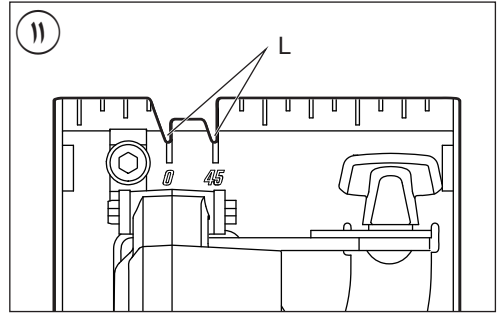
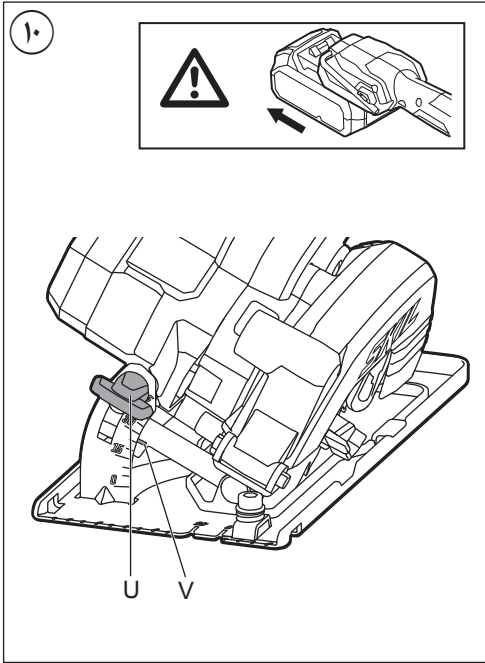
٦) استخدام الآلة العاملة بالطاقه والعناية بها

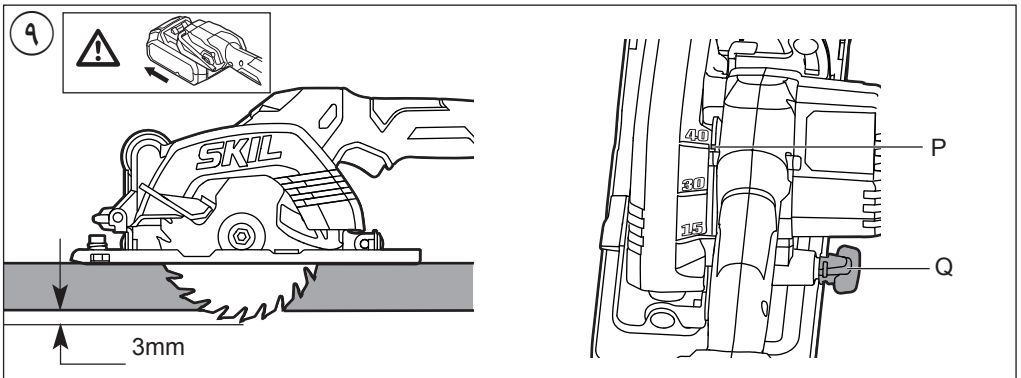
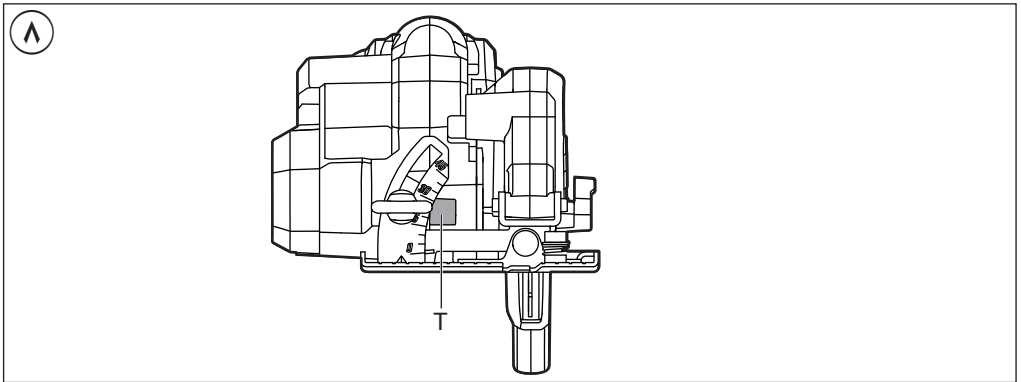
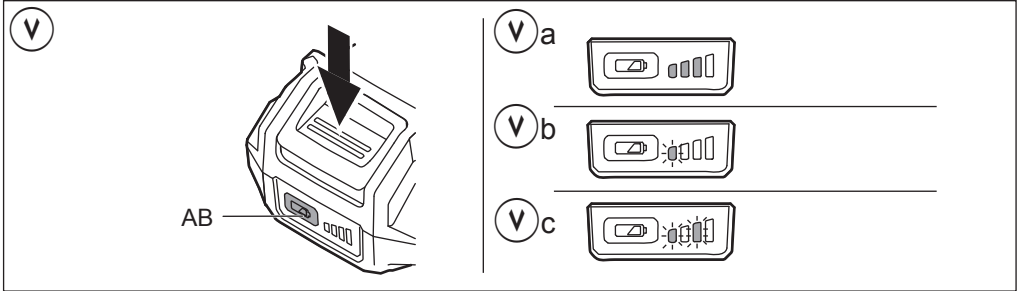
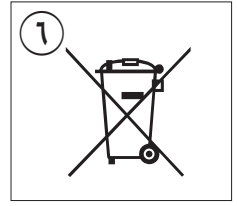
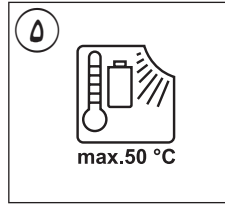
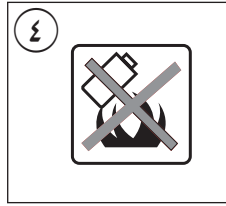
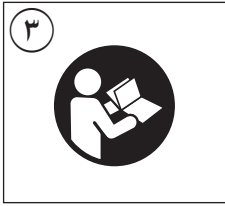
أ) لا جبر الآلة العاملة بالطاقه على أعمال تفوق قدرتها. استخدم الآلة العاملة بالطاقه الملائمة لأعمالك. ستقوم الآلة العاملة بالطاقه الملائمة بأداء أعمالك بشكل أفضل وأكثر أمانًا بالعدل الذي أعدت له.

ب) لا تستخدم الأداة العاملة بالطاقه إذا كان مفتاح التشغيل لا يمكن نقله إلى وضع التشغيل أو وضع الإيقاف. أي آلة عاملة بالطاقه لا يمكن التحكم فيها بمفتاح التشغيل تعتبر خطيرة وينبغي إصلاحها.

ت) افصل القاييس من مصدر التيار وأو اخلع مجموعة البطاريات إذا كانت قابلة للخلع. من الآلة العاملة بالطاقه قبل إجراء أي تعديلات أو تغيير ملحقات أو تخزين الآلات العاملة بالطاقه. إجراءات السلامة الوقائيه هذه قد من خطر تشغيل الآلة







1

3540

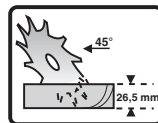
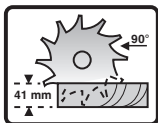
20V Max
18
Volt

2,0 Ah
2,5 Ah

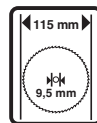
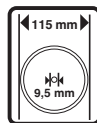
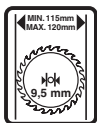
2,3 kg

4,0 Ah
5,0 Ah

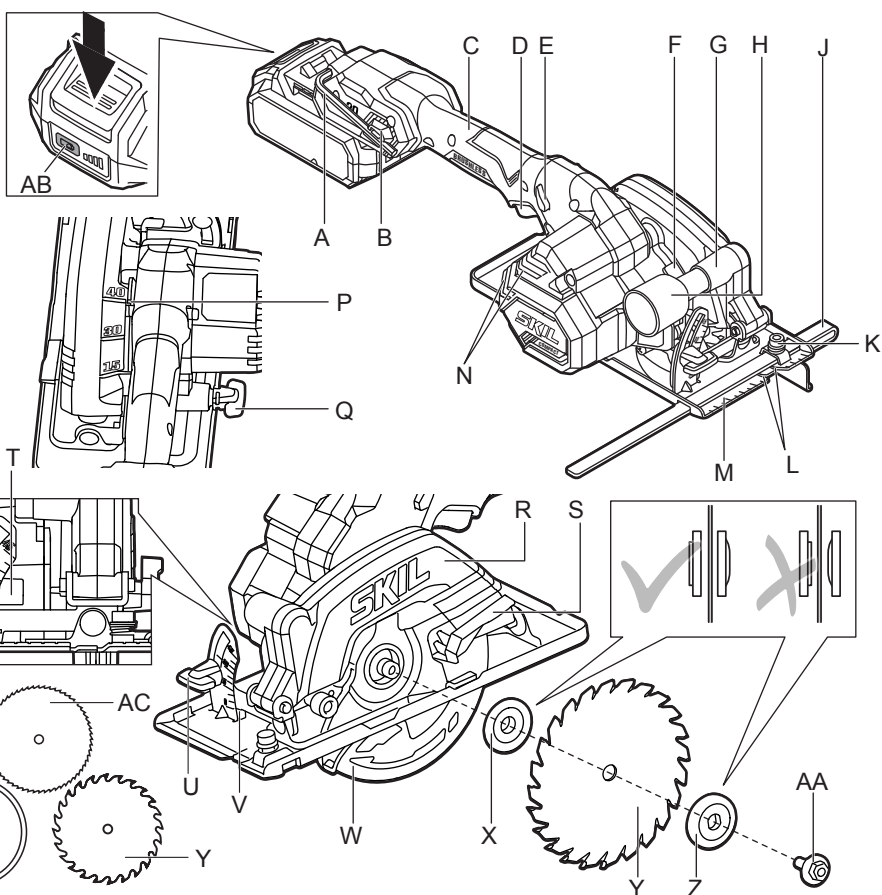
2,6 kg




n₀
6500
/min

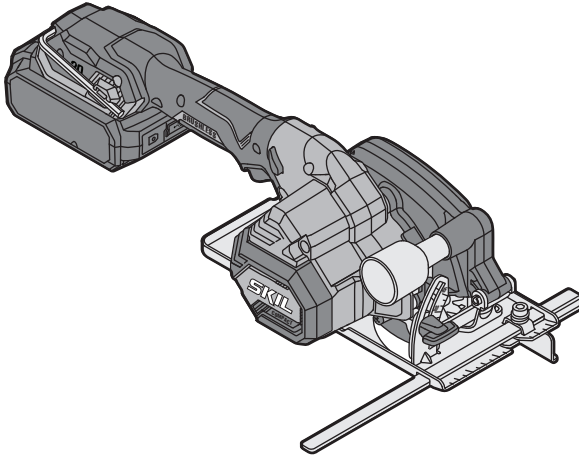


2



منشار مدمج بدون فرش متعدد
الاستخدامات

3540



SKIL[®]

دليل الاستعمال

AR

راهنمای اصلی

FA

