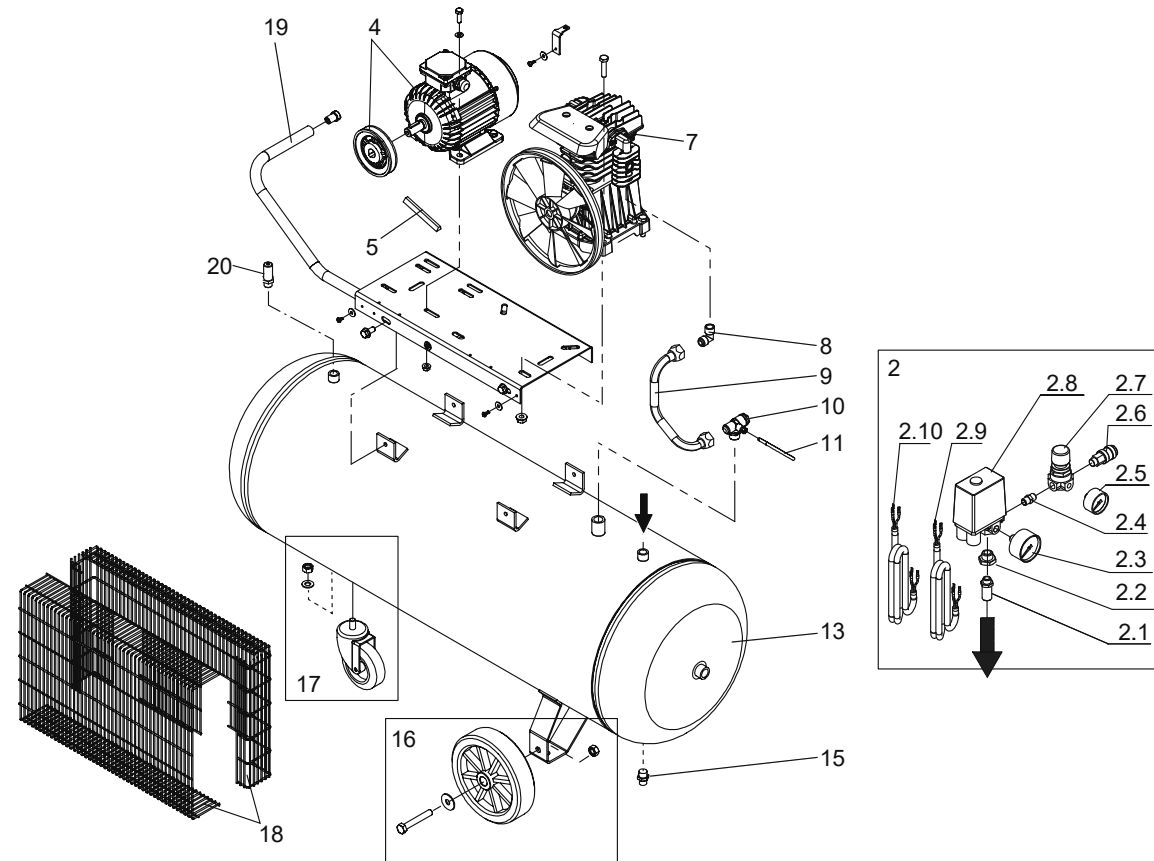
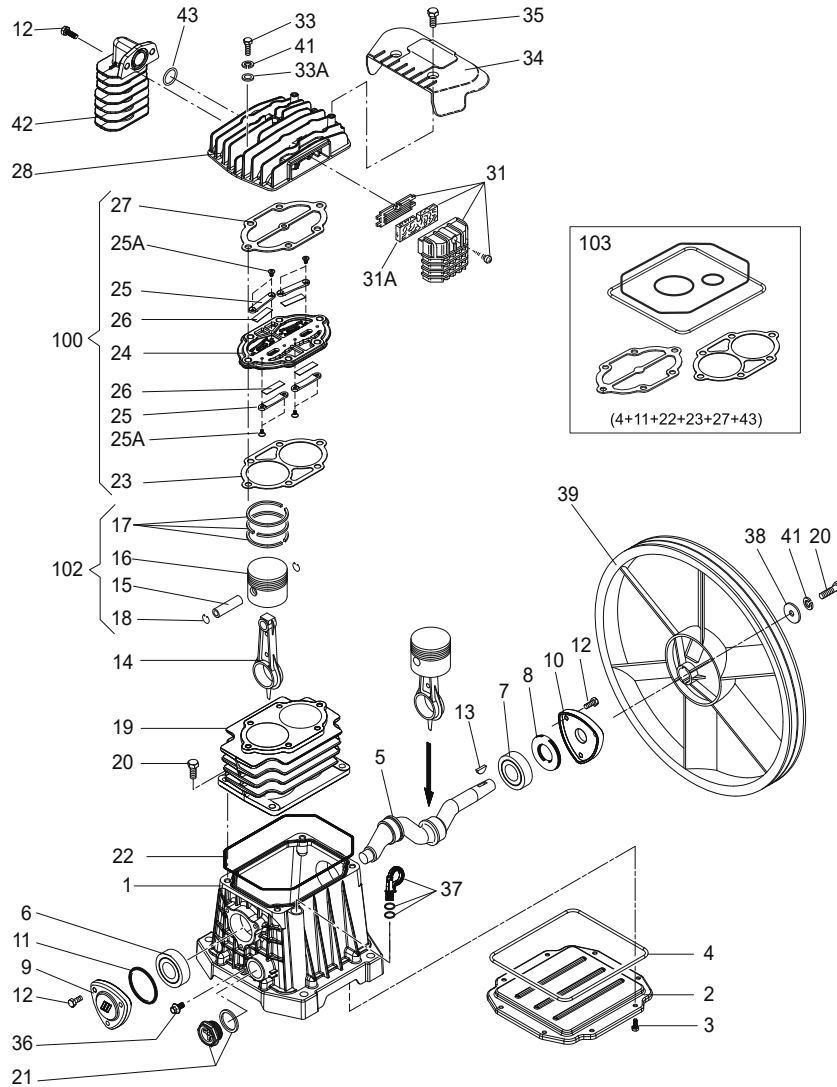


TABLE 1



| POS. | CODE   | DESCRIPTION         | QTY   |
|------|--------|---------------------|-------|
| 2    | A06666 | PRESSURE SWITCH KIT | 1     |
| 2.1  | A06724 | LOCK NUT            | 1     |
| 2.2  | A06741 | FITTING             | 1     |
| 2.3  | A06749 | PRESSURE GAUGE      | 1     |
| 2.4  | A06735 | FITTING             | 1     |
| 2.5  | A06748 | PRESSURE GAUGE      | 1     |
| 2.6  | A06752 | UNIVERSALE TAP      | 1     |
| 2.7  | A06746 | PRESSURE REDUCER    | 1     |
| 2.8  | A06770 | PRESSURE SWITCH     | 1     |
| 2.9  | A06774 | POWER CABLE         | 1     |
| 2.10 | A06775 | MOTOR CABLE         | 1     |
| 4    | A06702 | KIT                 | 1     |
| 5    | A06779 | BELT                | 1     |
| 7    | A06787 | PUMP UNIT           | 1     |
| 8    | A06736 | FITTING             | 2     |
| 9    | A06767 | INFEEED HOSE        | 1     |
| 10   | A06829 | CHECK VALVE         | 1     |
| 11   | A06764 | RILSAN TUBE         | 0,48m |
| 13   | A06716 | TANK 200 Lt         | 1     |
| 15   | A06751 | DISCHARGE TAP       | 1     |
| 16   | A06694 | KIT                 | 1     |
| 17   | A06700 | PIVOT KIT           | 1     |
| 18   | A06705 | BELT GUARD KIT      | 1     |
| 19   | A06714 | BASE PLATE          | 1     |
| 20   | A06755 | RELIEF VALVE        | 1     |

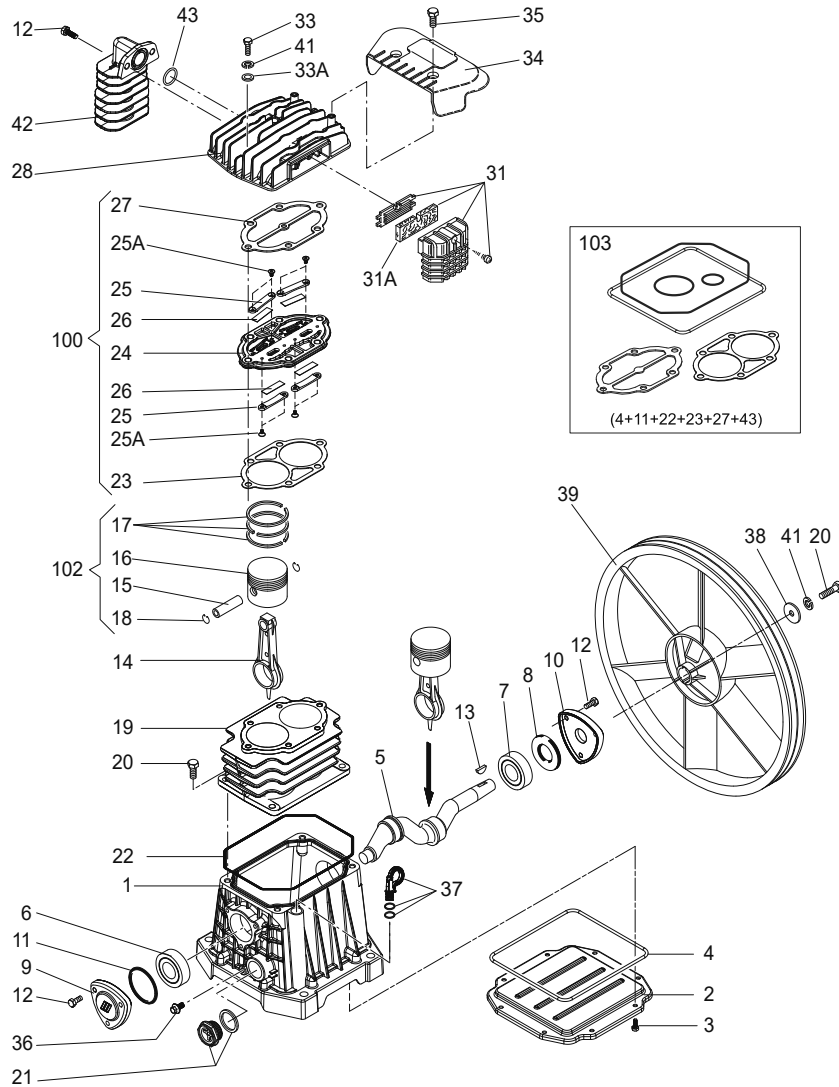
TABLE 2



| POS. | CODE   | DESCRIPTION     | QTY |
|------|--------|-----------------|-----|
| 1    | A06818 | CRANKCASE       | 1   |
| 2    | A06819 | CASING COVER    | 1   |
| 3    | A06816 | SCREW           | 8   |
| 4    | A06820 | O RING          | 1   |
| 5    | A06801 | CRANKSHAFT      | 1   |
| 6    | A06733 | BEARING         | 1   |
| 7    | A06734 | BEARING         | 1   |
| 8    | A06802 | OIL SEAL        | 1   |
| 9    | A06803 | COVER           | 1   |
| 10   | A06804 | COVER           | 1   |
| 11   | A06810 | O RING          | 1   |
| 12   | A06720 | SCREW           | 8   |
| 13   | A06811 | FEATHER         | 1   |
| 14   | A06797 | CONNECTING ROD  | 2   |
| 15   | A06798 | GUDGEON PIN     | 2   |
| 16   | A06785 | PISTON          | 2   |
| 17   | A06690 | PISTON RING KIT | 2   |
| 18   | A06684 | O - RING        | 4   |
| 19   | A06799 | CYLINDER        | 1   |
| 20   | A06723 | SCREW           | 5   |
| 21   | A06815 | OIL LIGHT       | 1   |
| 22   | A06805 | O RING          | 1   |
| 23   | A06786 | GASKET          | 1   |
| 24   | *      | VALVE PLATE     | 1   |
| 25   | A06758 | VALVE           | 4   |
| 25A  | A06683 | SCREW M4x8      | 8   |
| 26   | A06757 | VALVE           | 4   |
| 27   | A06806 | GASKET          | 1   |
| 28   | A06800 | HEAD            | 1   |

\*INCLUDED IN A SET

TABLE 2



| POS. | CODE   | DESCRIPTION       | QTY |
|------|--------|-------------------|-----|
| 31   | A06821 | INTAKE FILTER KIT | 1   |
| 31A  | A06760 | FILTER CARTRIDGE  | 1   |
| 33   | A06719 | SCREW             | 6   |
| 33A  | A06725 | WASHER Ø8         | 6   |
| 34   | A06807 | AIR CONVEYOR      | 1   |
| 35   | A06722 | SCREW             | 2   |
| 36   | A06721 | SCREW             | 1   |
| 37   | A07080 | PLUG              | 1   |
| 38   | A06726 | WASHER            | 1   |
| 39   | A06808 | FLYWHEEL          | 1   |
| 41   | A06827 | WASHER            | 7   |
| 42   | A06823 | COOLER            | 1   |
| 43   | A06813 | O RING            | 1   |
| 100  | A06826 | VALVE PLATE KIT   | 1   |
| 102  | A06822 | PISTON KIT        | 2   |
| 103  | A06824 | KIT               | 1   |