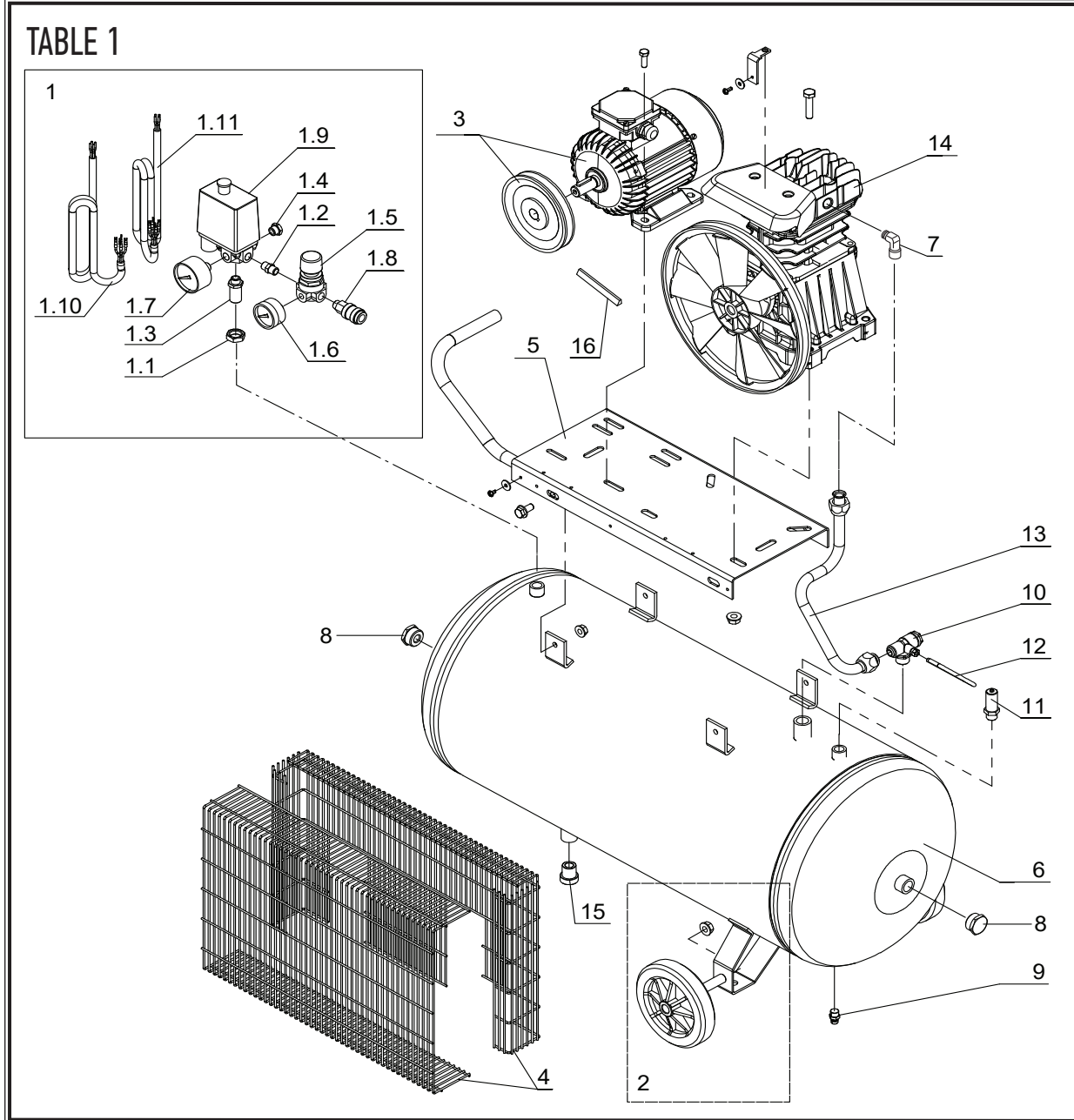
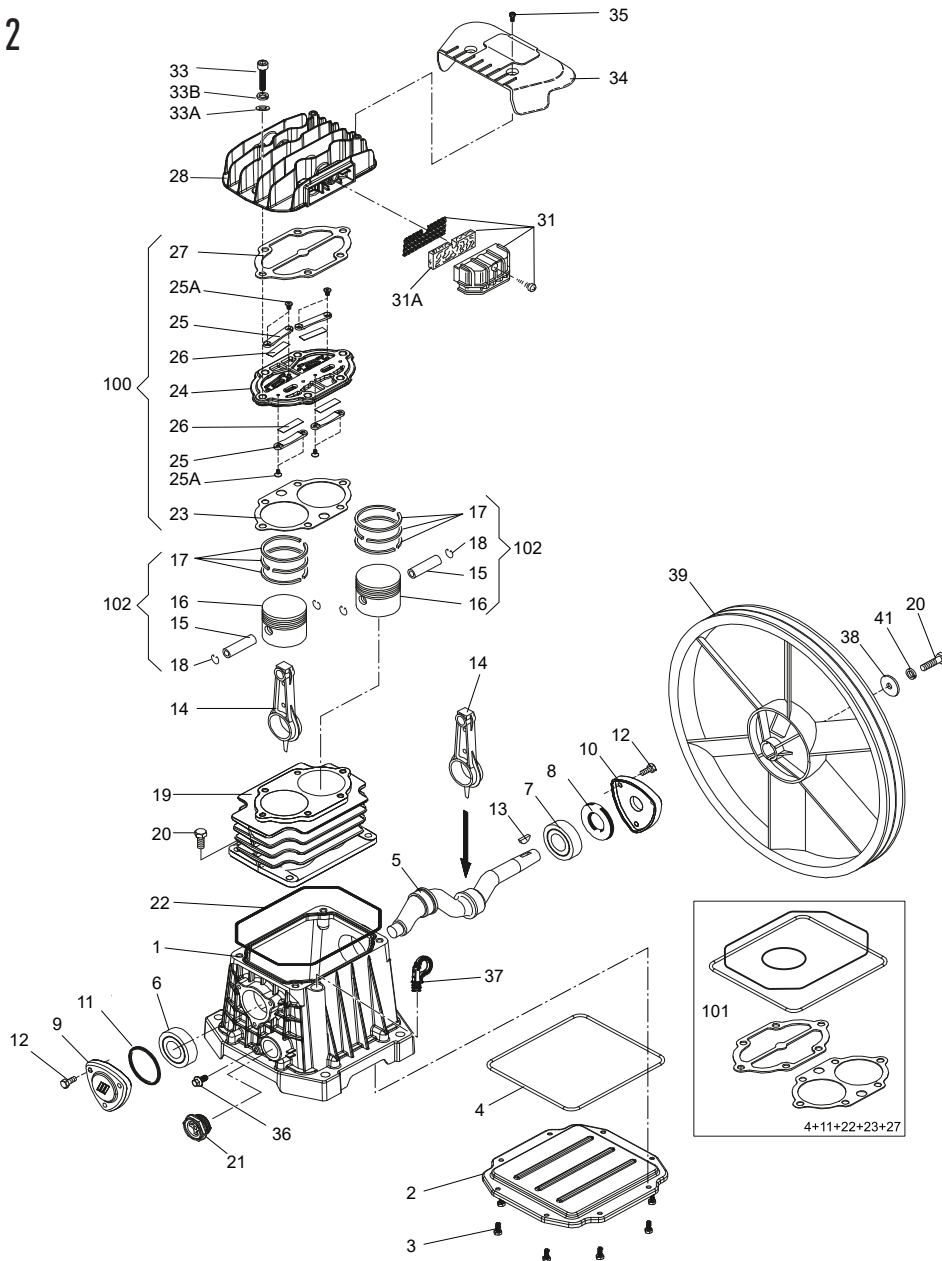


TABLE 1



POS.	CODE	DESCRIPTION	QTY
1	A06686	PRESSURE SWITCH KIT	1
1.1	A06724	LOCK NUT	1
1.2	A06735	FITTING	1
1.3	A06741	FITTING	1
1.4	A06743	PLUG	1
1.5	A06746	PRESSURE REDUCER	1
1.6	A06748	PRESSURE GAUGE	1
1.7	A06749	PRESSURE GAUGE	1
1.8	A06752	UNIVERSALE TAP	1
1.9	A06771	PRESSURE SWITCH	1
1.10	A06774	POWER CABLE	1
1.11	A06773	CABLE	1
2	A06695	KIT	1
3	A06701	MOTOR/PULLEY KIT	1
4	A06705	BELT GUARD KIT	1
5	A06713	BASE PLATE	1
6	A06718	TANK 100 Lt	1
7	A06736	FITTING	1
8	A06742	PLUG	2
9	A06751	DISCHARGE TAP	1
10	A06829	CHECK VALVE	1
11	A06755	RELIEF VALVE	1
12	A06764	RILSAN TUBE	0,4m
13	A06765	INFEEED HOSE	1
14	A06828	PUMP UNIT	1
15	A06778	RUBBER FOOT	1
16	A06779	BELT	1

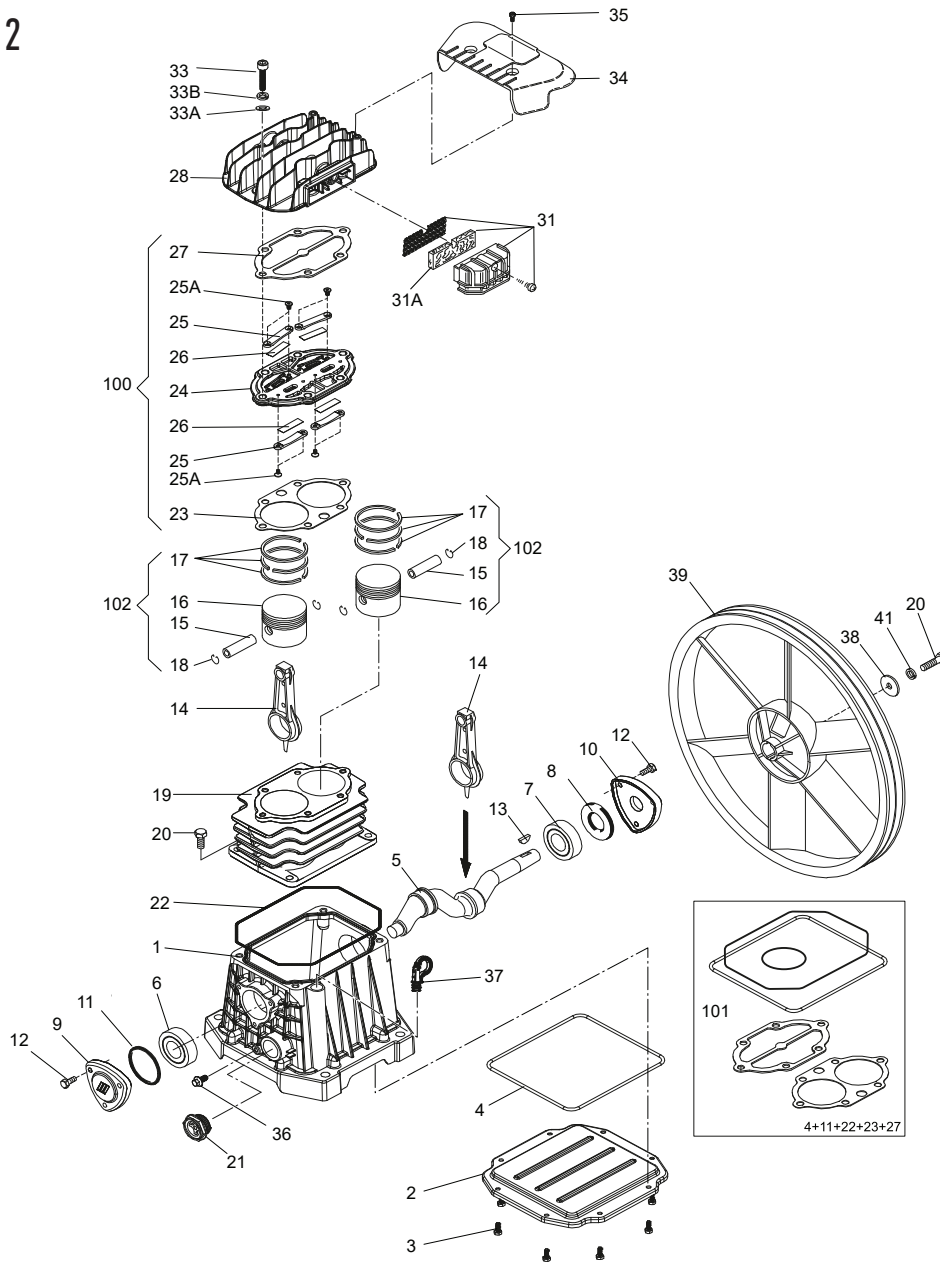
TABLE 2



POS.	CODE	DESCRIPTION	QTY
1	A06818	CRANKCASE	1
2	A06819	CASING COVER	1
3	A06816	SCREW	8
4	*	O-RING	1
5	A06801	CRANKSHAFT	1
6	A06733	BEARING	1
7	A06734	BEARING	1
8	A06802	OIL SEAL	1
9	A06803	COVER	1
10	A06804	COVER	1
11	*	O-RING	1
12	A06720	SCREW	6
13	A06811	FEATHER	1
14	A06812	CONNECTING ROD	2
15	A06795	GUDGEON PIN	2
16	A06796	PISTON	2
17	A06689	PISTON RING KIT	2
18	*	O-RING	4
19	A06784	CYLINDER	1
20	A06723	SCREW	5
21	A06815	OIL LIGHT	1
22	*	O-RING	1
23	*	GASKET	1
24	*	VALVE HOLDER PLATE	1
25	*	VALVE	4
25A	*	SCREW	8
26	*	VALVE	4
27	*	GASKET	1
28	A06783	HEAD	1

\*INCLUDED IN A SET

TABLE 2



POS.	CODE	DESCRIPTION	QTY
31	A06817	INTAKE FILTER KIT	1
31A	A06760	FILTER CARTRIDGE	1
33	A06719	SCREW	6
33A	A06725	WASHER Ø8	6
33B	A06827	WASHER	6
34	A06807	AIR CONVEYOR	1
35	A06722	SCREW	2
36	A06721	SCREW	1
37	A07080	PLUG	1
38	A06726	WASHER	1
39	A06808	FLYWHEEL	1
41	A06827	WASHER	1
100	A06826	VALVE PLATE KIT	1
101	A06825	KIT	1
102	A06709	PISTON KIT	2