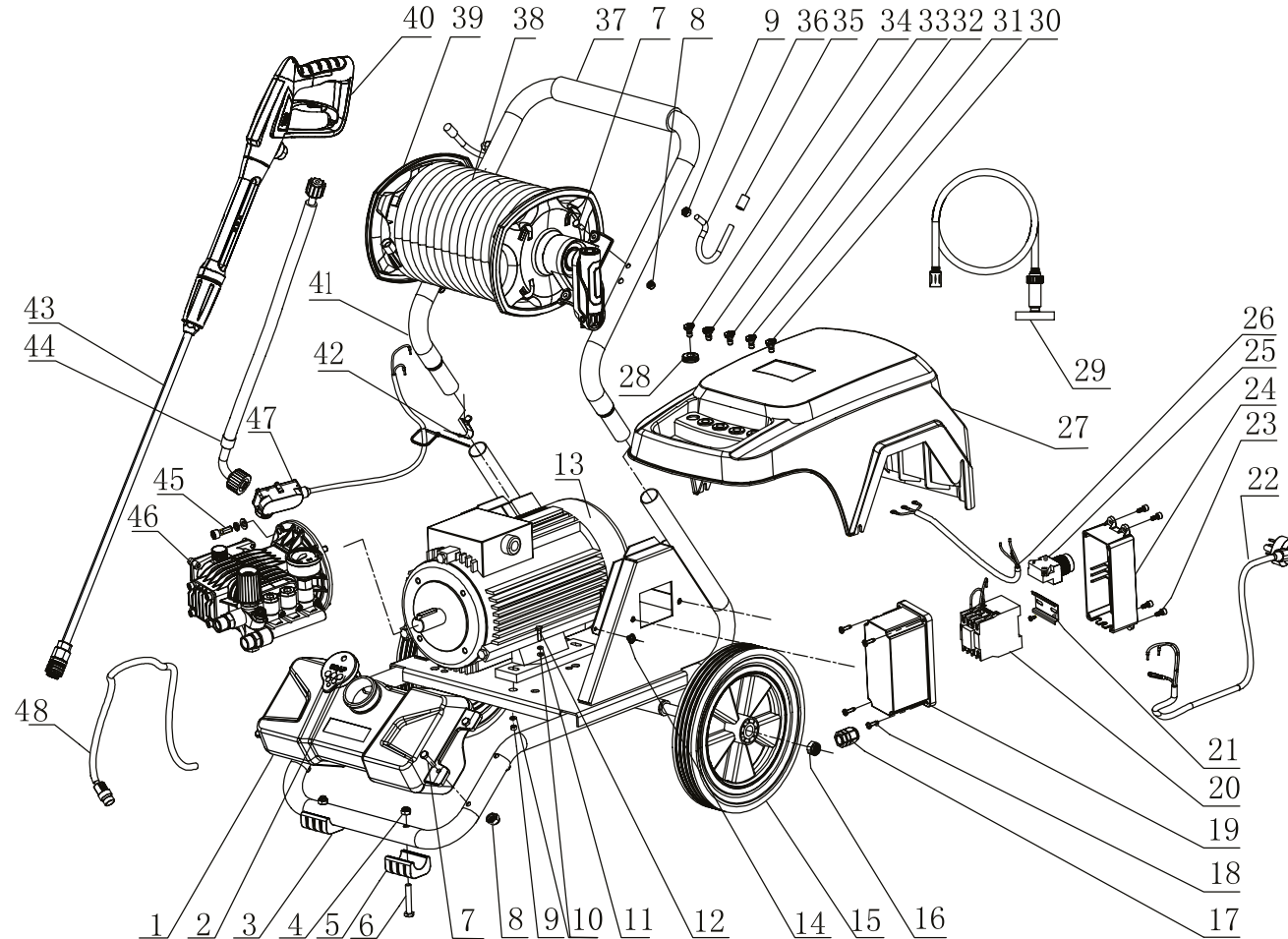
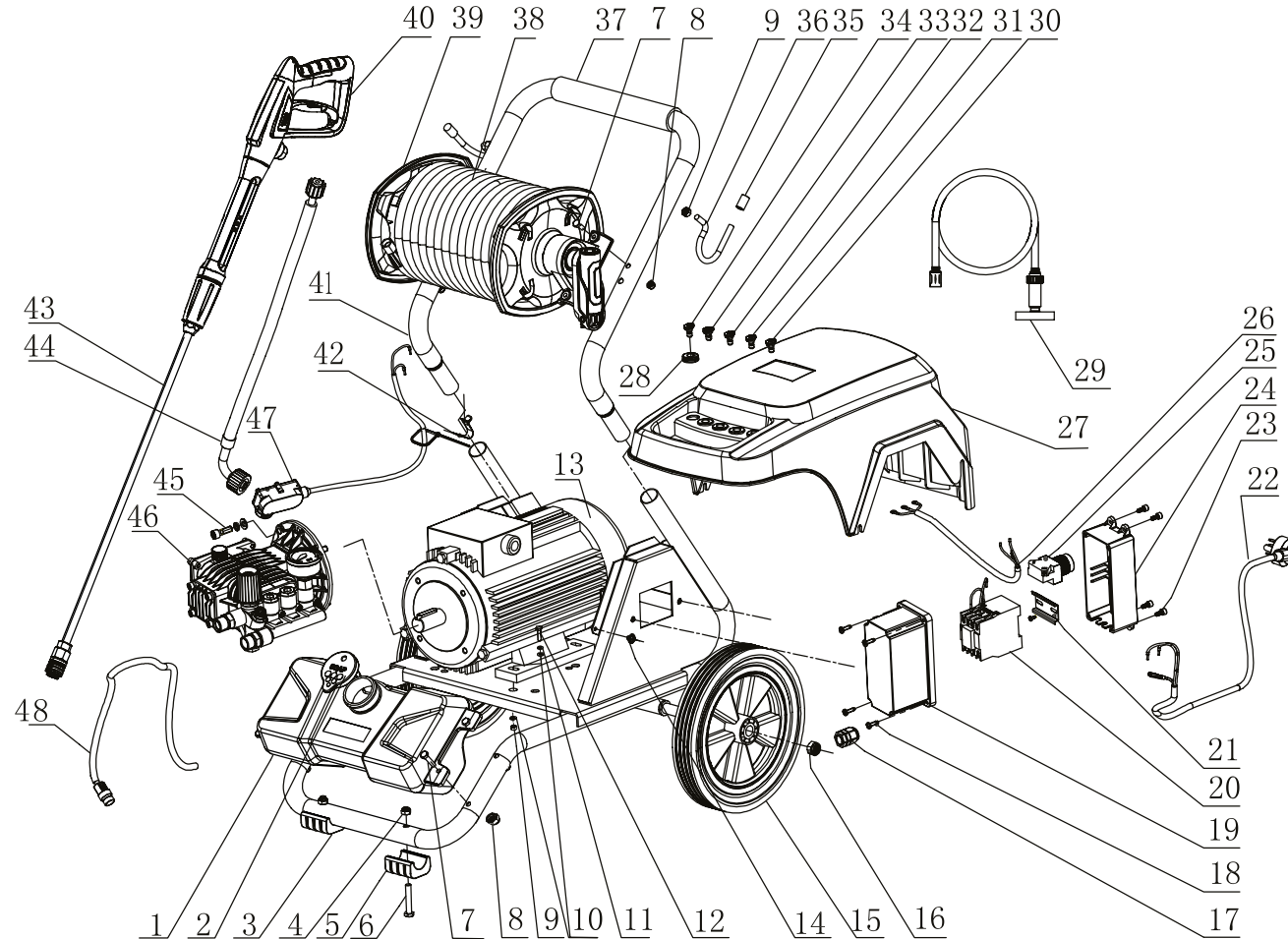


TABLE 1



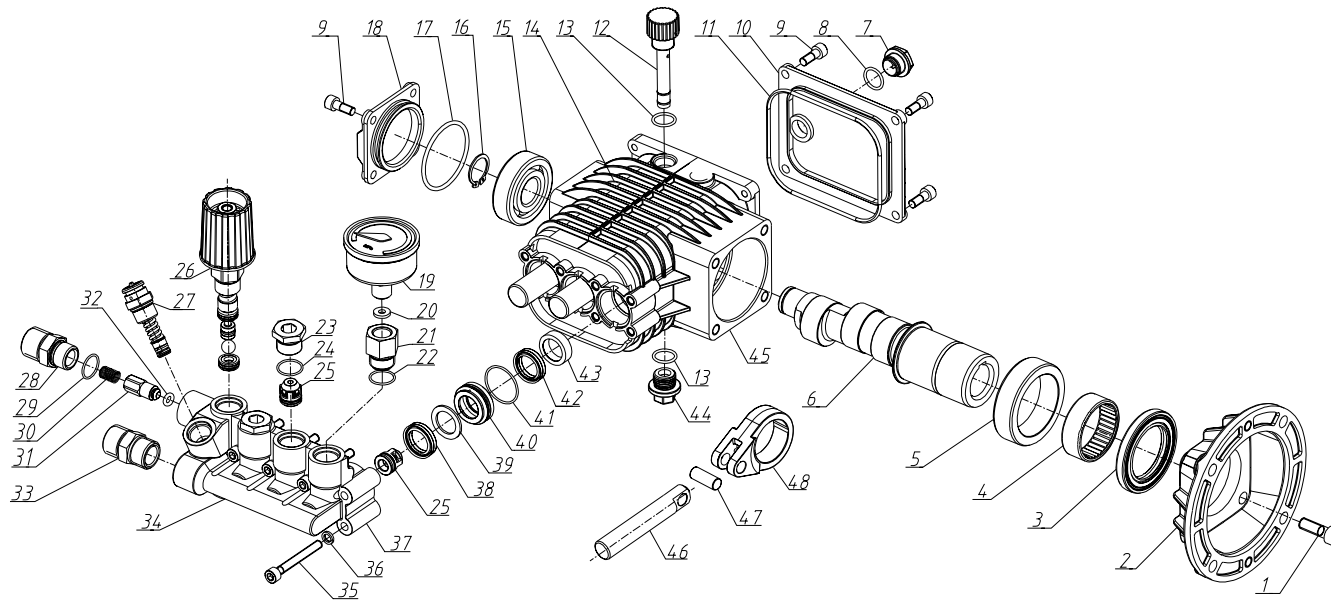
POS.	CODE	DESCRIPTION	QTY
1	A12939	DETERGENT TANK	1
2	A12983	DETERGENT TANK CAP	1
3	A12947	METAL BRACKET	1
4	A12959	HEXAGON NUT M8	2
5	A12964	RUBBER SUPPORT	2
6	A12933	HEXAGON BOLT M8×40	2
7	A12928	HEXAGON BOLT M6×45	8
8	A12958	HEXAGON NUT M6	8
9	A12960	HEXAGON NUT M8	7
10	A12971	FLAT WASHER Ø8	8
11	A12972	SPRING WASHER	8
12	A12931	HEXAGON BOLT M8×30	4
13	A12955	MOTOR	1
14	A12926	SCREW M6×10	4
15	A12970	WHEEL	2
16	A12957	HEXAGON NUT M12	2
17	A12989	CABLE WATERPROOF CONNECTOR	1
18	A12924	SCREW	4
19	A12951	SWITCH BOX	1
20	A12969	CURRENT CONTACTOR	1
21	A12966	INSTALL RAIL	1
22	A12944	CABLE	1
23	A12925	HEXAGON SCREW	4
24	A12946	SWITCH BOX COVER	1
25	A12938	POWER SWITCH	1
26	A12945	ELECTRIC WIRE	1
27	A12948	MOTOR COVER	1
28	A12922	NOZZLE HOLDER	5
29	48064	INLET PIPE WITH FILTER	1

TABLE 1



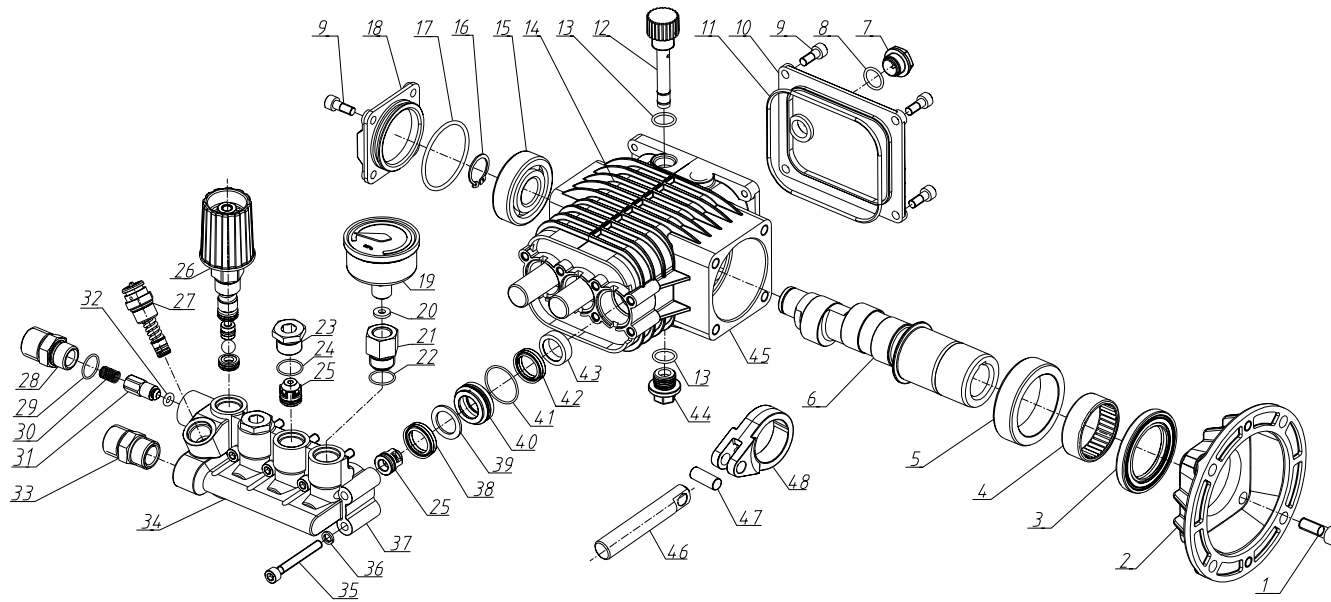
POS.	CODE	DESCRIPTION	QTY
30	48058	WASHER NOZZLE 0o	1
31	48059	WASHER NOZZLE 15o	1
32	48060	WASHER NOZZLE 25o	1
33	48061	WASHER NOZZLE 40o	1
34	48057	WASHING SOAP NOZZLE	1
35	A12952	RUBBER CAP	3
36	A12934	HOOK	3
37	A12965	HANDLE RUBBER	1
38	48065	HIGH PRESSURE HOSE, 276bar, 15m	1
39	A12916	HOSE REEL	1
40	48063	METAL GUN	1
41	A12936	HANDLE	1
42	A12950	HANDLE JOINT	1
43	48062	QUICK COUPLING METAL LANCE	1
44	A12980	HIGH PRESSURE HOSE, PUMP TO REEL	1
45	A12932	HEXAGON BOLT M8x40	4
46	A12918	PUMP ASSEMBLY	1
47	A12954	TSS SWITCH	1
48	A12979	DETERGENT SUCTION HOSE	1

PUMP



POS.	CODE	DESCRIPTION	QTY
1	A12930	CYLINDRICAL HEAD SCREW M8×25	4
2	A12990	FLANGE	1
3	A12986	OIL SEAL 40×62×7	1
4	A12923	NEEDLE BEARING	1
5	A12992	BEARING INSERT	1
6	A12977	CRANKSHAFT	1
7	A12943	OIL TAP	1
8	A12914	O-RING	1
9	A12927	CYLINDRICAL HEAD SCREW M6×16	8
10	A12962	CRANKCASE REAR COVER	1
11	A12993	REAR COVER SEAL	1
12	A12937	OIL DIPSTICK	1
13	A12994	O-RING	2
14	A12976	CRANKCASE ASSEMBLY	1
15	A12973	BALL BEARING	1
16	A12920	CIRCLIP	1
17	A12908	O-RING	1
18	A12963	CRANKCASE SIDE COVER	1
19	A12953	PRESSURE GAUGE	1
20	A12985	SEAL RING	1
21	A12978	PRESSURE GAUGE CONNECTOR	1
22	A12909	O-RING	1
23	A12982	VALVE HEAD	2
24	A12910	O-RING	2
25	A12921	CHECK VALVE	6
26	A12974	PRESSURE REGULATOR ASSEMBLY	1
27	A12915	PRESSURE DISPLACEMENT ASSEMBLY	1
28	A12968	OUTLET CONNECTOR	1

PUMP



POS.	CODE	DESCRIPTION	QTY
29	A12911	O-RING	1
30	A12941	OUTLET VALVE SPRING	1
31	A12917	OUTLET VALVE CORE	1
32	A12912	O-RING	1
33	A12967	INLET CONNECTOR	1
34	A12949	PUMP HEAD ASSEMBLY	1
35	A12929	CYLINDRICAL HEAD SCREW M6×50	4
36	A12935	SPRING WASHER	8
37	A12981	PUMP HEAD	1
38	A12988	MAIN WATER SEAL	3
39	A12991	WATER SEAL GASKET	3
40	A12940	WATER SEAL SEAT	3
41	A12913	O-RING	3
42	A12919	DEPUTY SEAL SEAT	3
43	A12987	OIL SEAL	3
44	A12984	OIL DRAIN PLUG	1
45	A12975	CRANKCASE	1
46	A12942	PORCELAIN PLUNGER	3
47	A12961	PLUNGER PIN	3
48	A12956	PLUNGER LINK	3