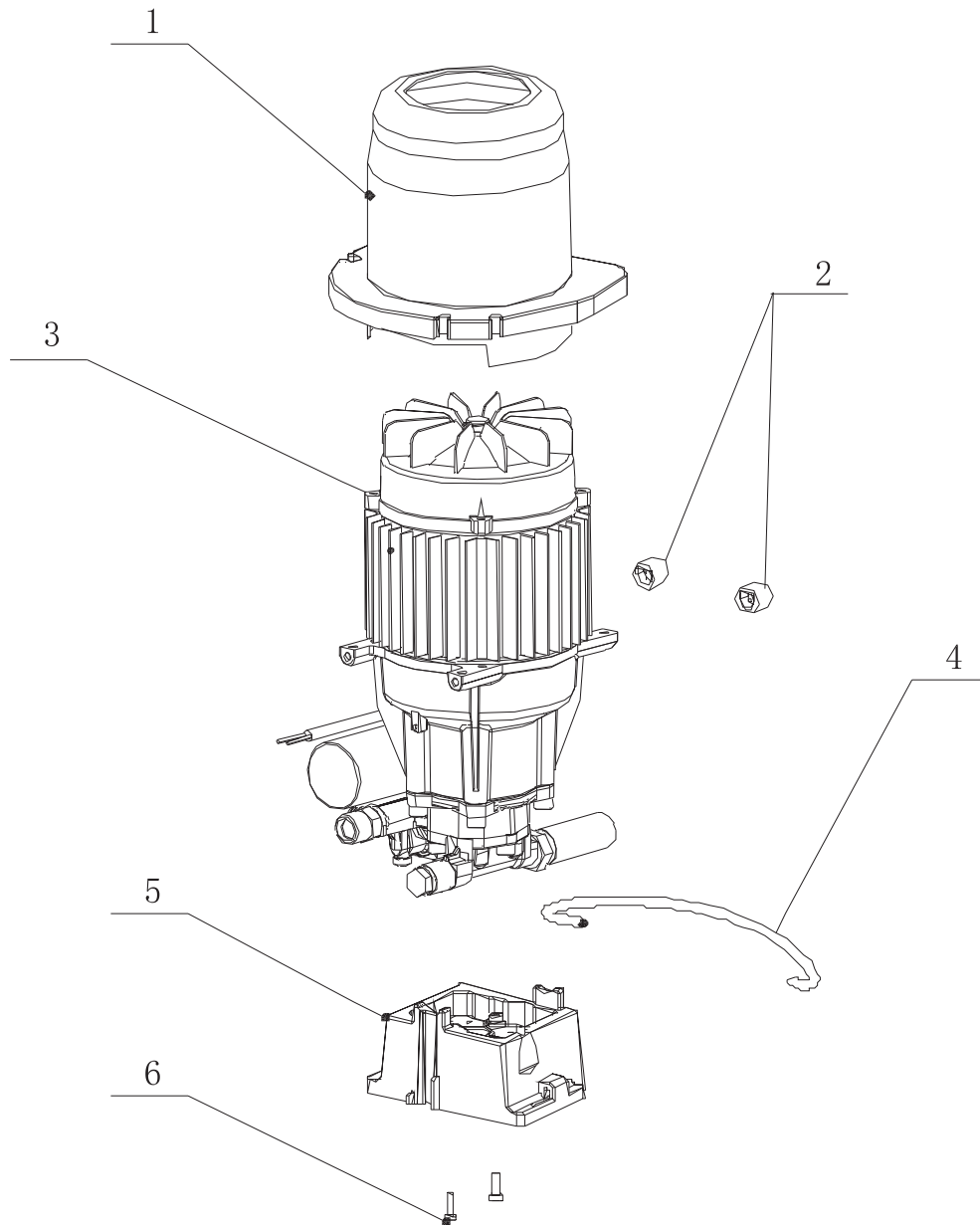
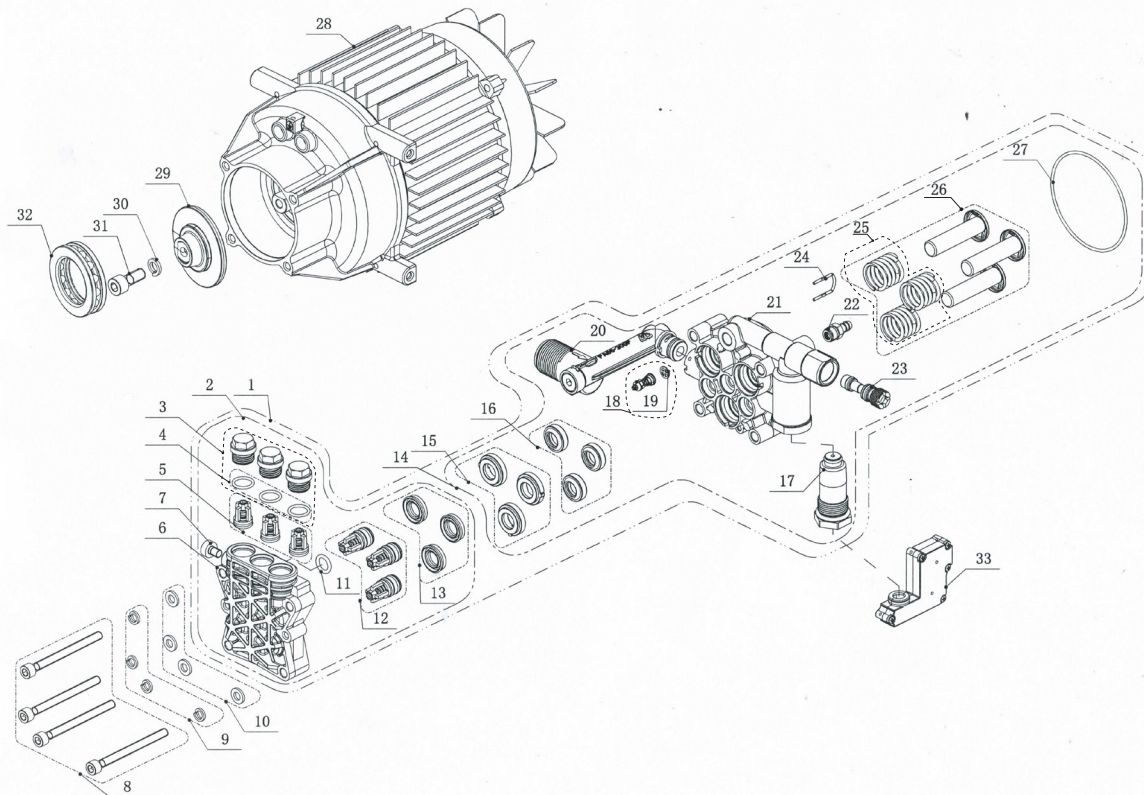


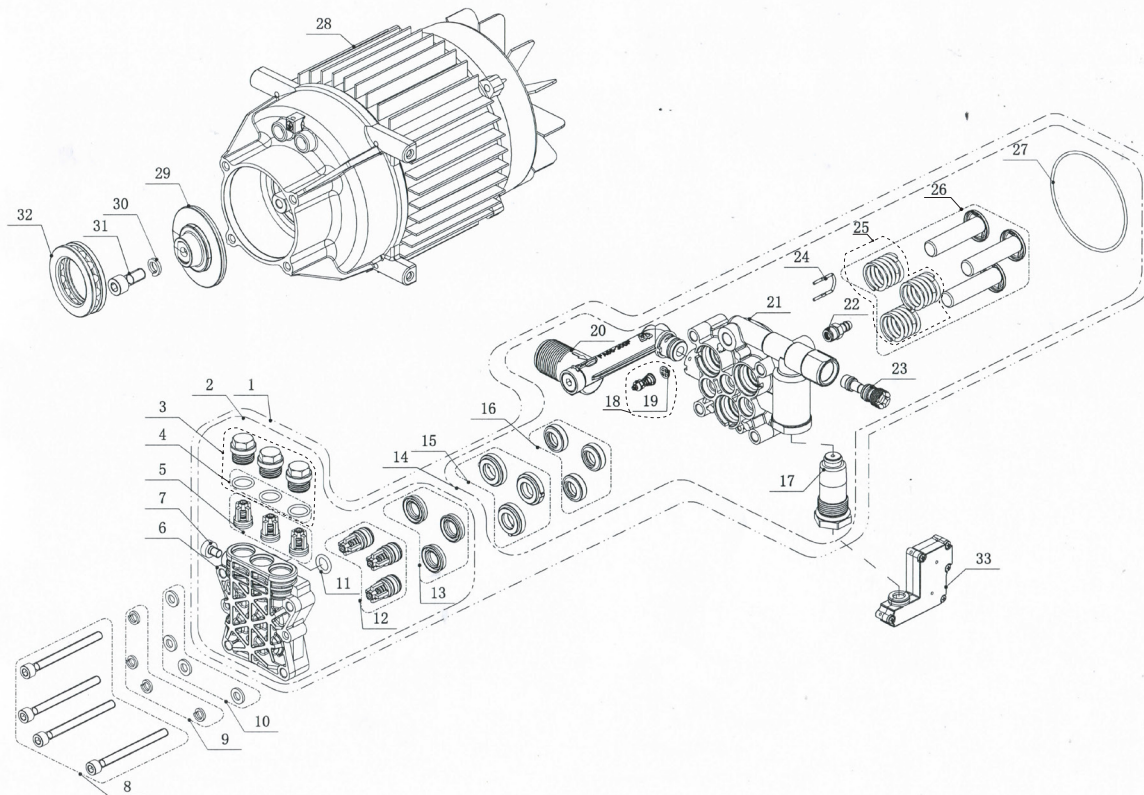
POS.	CODE	DESCRIPTION	QTY
1	A2781	FRONT HOUSING	1
2	A2782	KNOB	1
3	A2783	DETERGENT VALVE	1
4	A2784	OUTLET COVER	2
5	A2785	POWER CORD	1
6	A2786	MOTOR ASSEMBLY	1
7	A2787	REAR HOUSING	1
8	A2788	SWITCH BOX	1
9	A2789	WHEEL ASSEMBLY	1
10	A2790	DETERGENT BOTTLE	1
11	A2791	NOZZLE COLLECTOR	1
12	A2792	HANDLE	1
13	A2793	HAND CRANK	1
14	A2794	HOSE REEL	1
15	A2795	REEL BASE	1
16	A2798	PRESSURE HOSE	1
17	A2796	CAPACITOR BOX	1
18	A2797	CAPACITOR 30UF	1
19	43604	HIGH PRESSURE HOSE 8M	1
20	A2799	GUN STOCK	1
21	A2800	CAPACITOR CAP	1
22	A2801	GUN HOLDER	1
23	41926	LANCE ROTOR POWER	1
24	41896	GUN	1
25	41925	TURBO LANCE	1



POS.	CODE	DESCRIPTION	QTY
1	A2802	INDUCTIVE MOTOR COVER	1
2	A2803	DAMPING RUBBER	1
3	A2804	MERGE	1
4	A2805	DETERGENT TUBE	1
5	A2806	PUMP BASE	1
6	A2807	SCREW	2



POS.	CODE	DESCRIPTION	QTY
1	A2808	PUMP ASSEMBLY	1
2	A2809	CYLINDER HEAD	1
3	A2810	CHECK VALVE NUT (WITH O-RING)	3
4	A2811	O-RING	3
5	A2812	OUTLET CHECK VALVE (3 PCS)	1
6	A2813	CYLINDER BASE	1
7	A2814	CYLINDER HEAD	1
8	A2815	SCREW	4
9	A2816	SPRING WASHER	4
10	A2817	SMALL PLAIN WASHER-	4
11	A2818	O-RING	1
12	A2819	INLET VALVE (3 PCS)	1
13	A2820	SEAL (3 PCS)	1
14	A2821	PISTON GUIDER	1
15	A2822	WATER SEAL SUPPORT (3 PCS)	1
16	A2823	PISTON SEAL (3 PCS)	1
17	A2824	BYPASS VALVE	1
18	A2825	CHIEF VALVE (WITH CONE BASE)	1
19	A2826	CONE SPRING BASE	1
20	A2827	INLET EXTENSION PLUG	1
21	A2828	PISTON GUIDER	1



POS.	CODE	DESCRIPTION	QTY
22	A2830	SUCTION NIPPLE	1
23	A2829	VENTURI	1
24	A2831	U-PIN	1
25	A2832	PISTON SPRING	3
26	A2833	PISTON (WITH SPRING)	1
27	A2834	O-RING	1
28	A2835	MOTOR ASSEMBLY	1
29	A2836	WOBBLE PLATE FAM	1
30	A2837	SPRING WASHER	1
31	A2838	SCREW	1
32	A2839	THRUST BALL BEARING	1
33	A2840	TSS	1