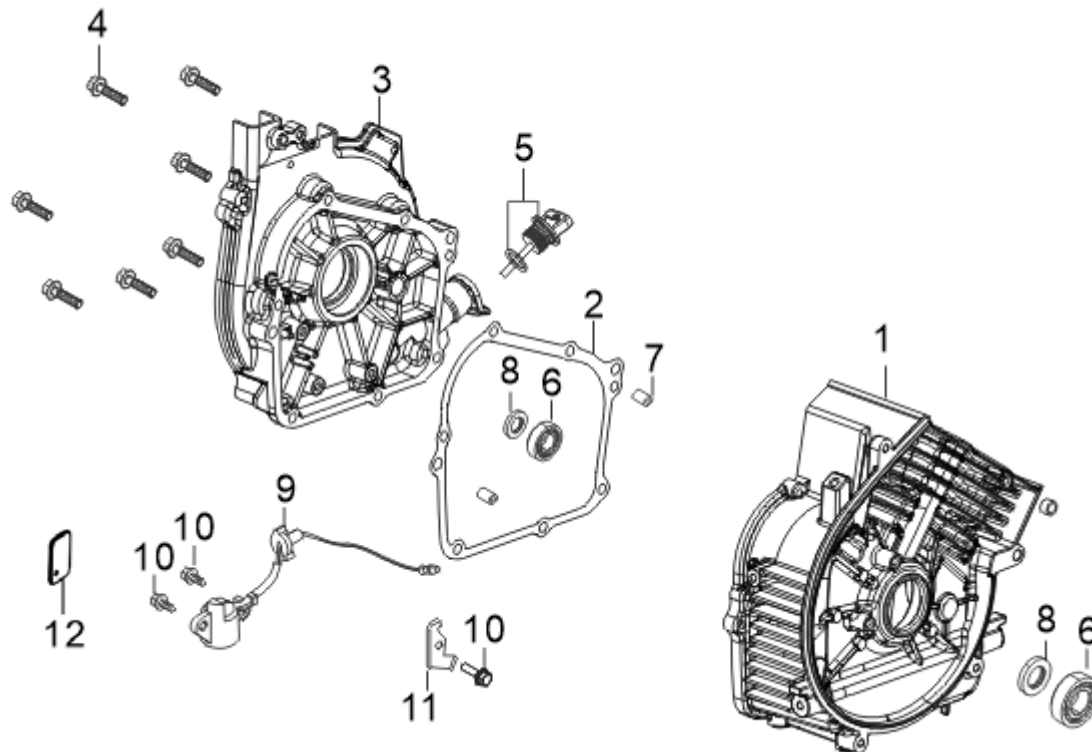
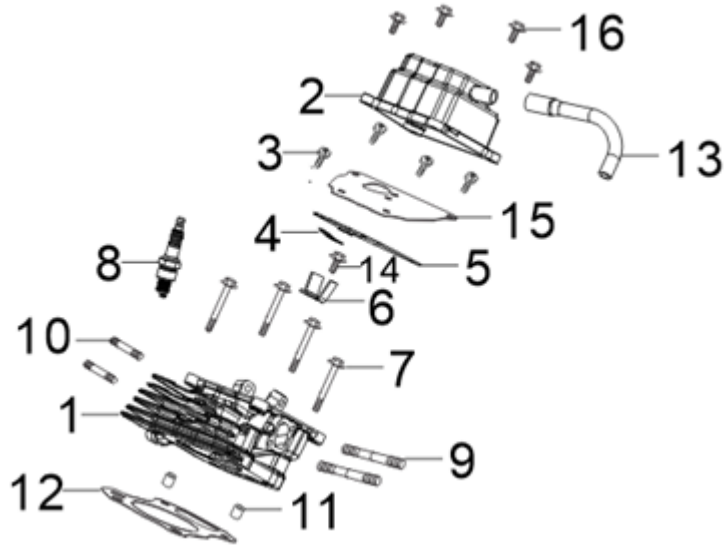


E01



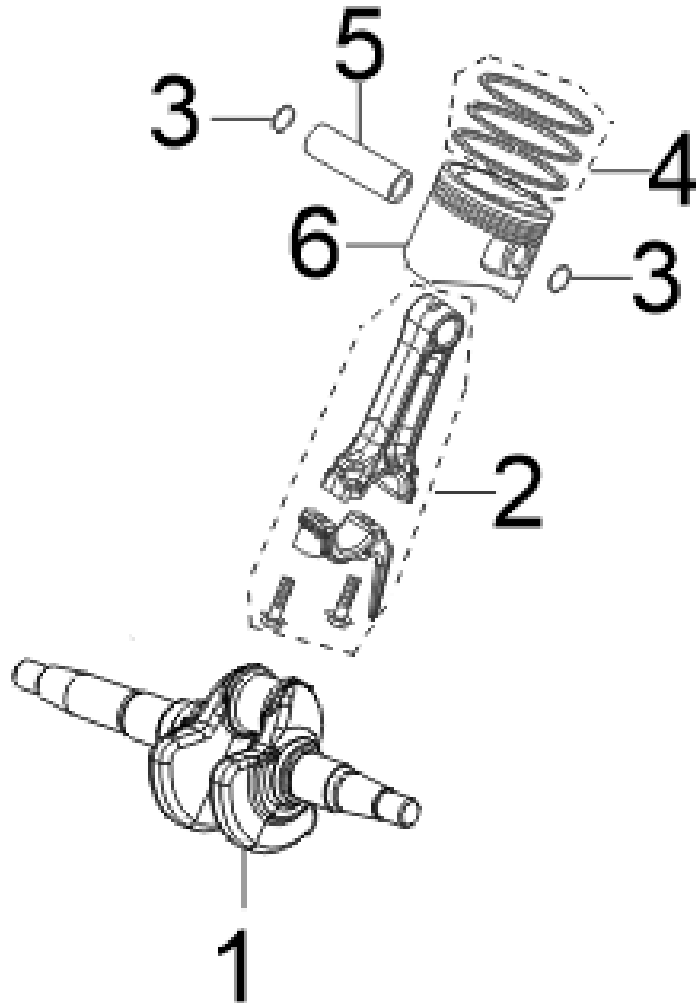
POS.	CODE	DESCRIPTION	QTY
1	A08375	CRANKCASE	1
2	A08376	CRANKCASE GASKET	1
3	A08377	CRANKCASECOVER	1
4	A08767	BOLT	7
5	A08473	OIL DIPSTICK	1
6	A08864	BALL BEARING	2
7	A08550	POSITION PIN	2
8	A08765	OIL SEAL	2
9	A08783	ENGINE OIL SENSOR	1
10	A08644	BOLT	3
11	A08784	TENSION DISC	1
12	A08865	STOPPER	1

E03



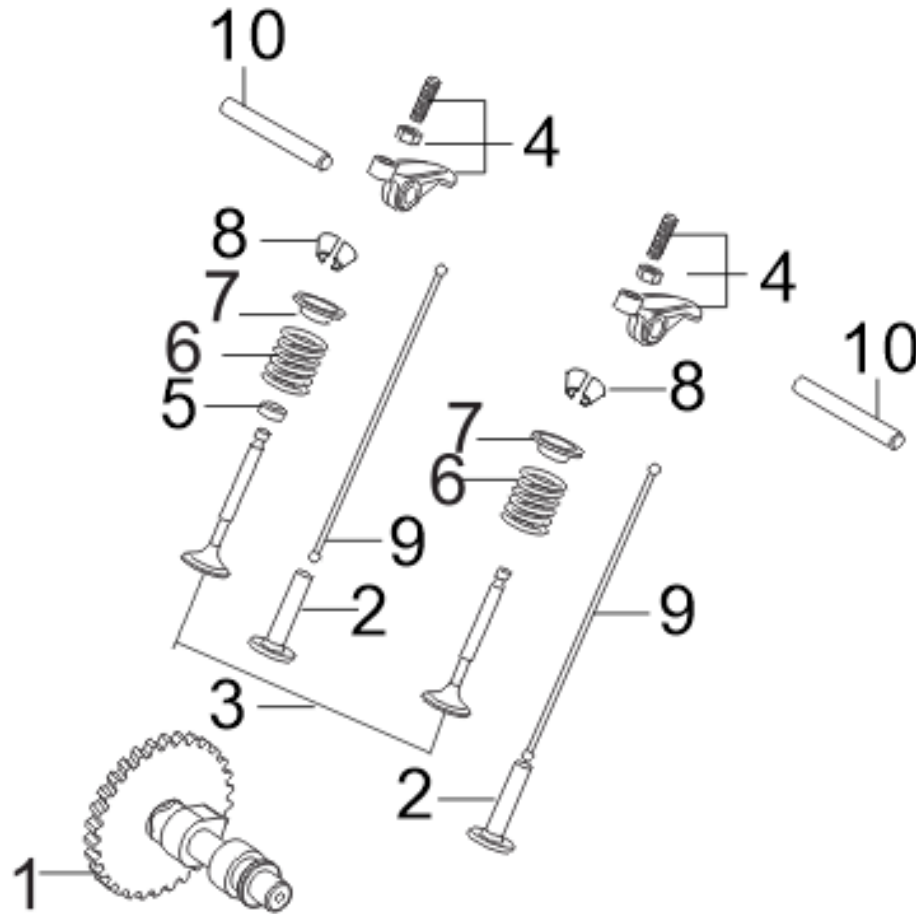
POS.	CODE	DESCRIPTION	QTY
1	A08378	CYLINDER HEAD	1
2	A08379	CYLINDER HEAD COVER	1
3	A08771	CROSS-RECESSED PAN HEAD SCREW	4
4	A08380	STOP ENGINE PIECE	1
5	A08381	CYLINDER HEAD COVER GASKET	1
6	A08382	CYLINDER HEAD COVER PIN LIMIT PLATE	1
7	A08383	CYLINDER HEAD BOLT	4
8	A08770	SPARK PLUG	1
9	A08768	STUD BOLT	2
10	A08769	STUD BOLT	2
11	A08866	POSITION PIN	2
12	A08384	CYLINDER HEAD GASKET	1
13	A08867	BREATHER TUBE	1
14	A08868	BOLT	1
15	A08385	BREATH GROOVE GASKET	1
16	A08886	BOLT	4

E04



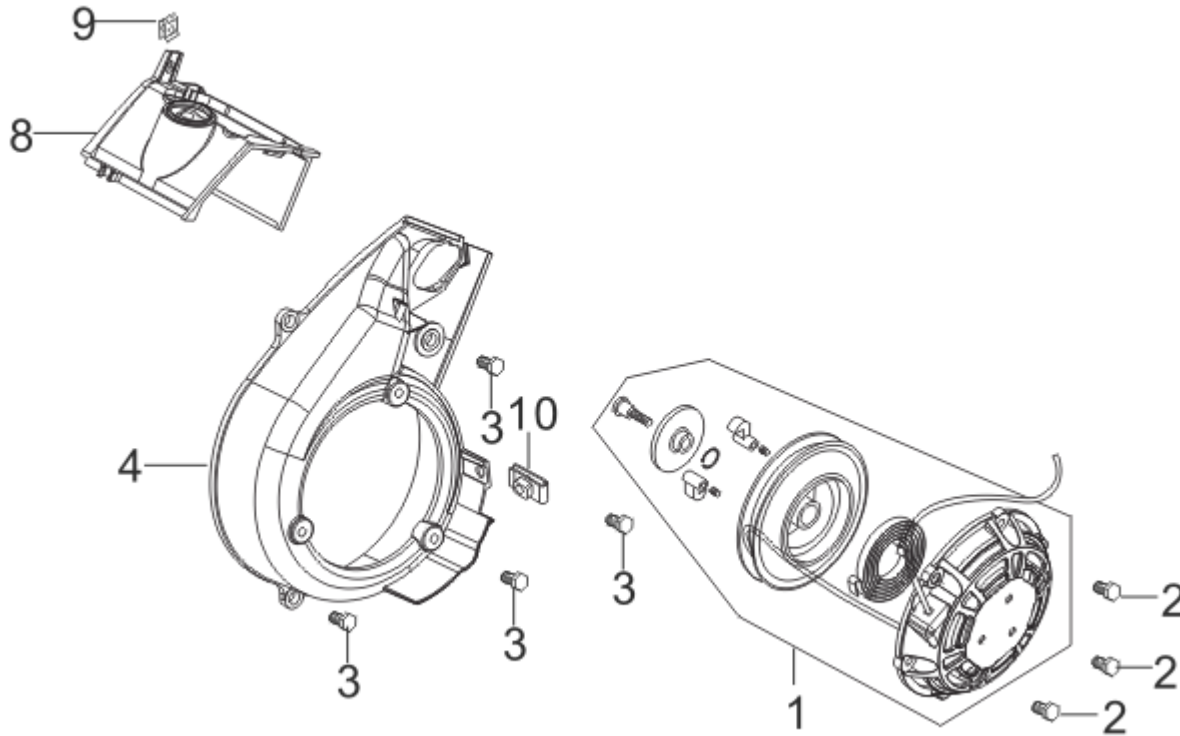
POS.	CODE	DESCRIPTION	QTY
1	A08427	CRANKSHAFT ASSEMBLY	1
2	A08386	CONNECTING ROD	1
3	A08417	PISTON PIN CLIP	2
4	A08418	PISTON RING SET	1
5	A08387	PISTON PIN	1
6	A08388	PISTON	1

E06



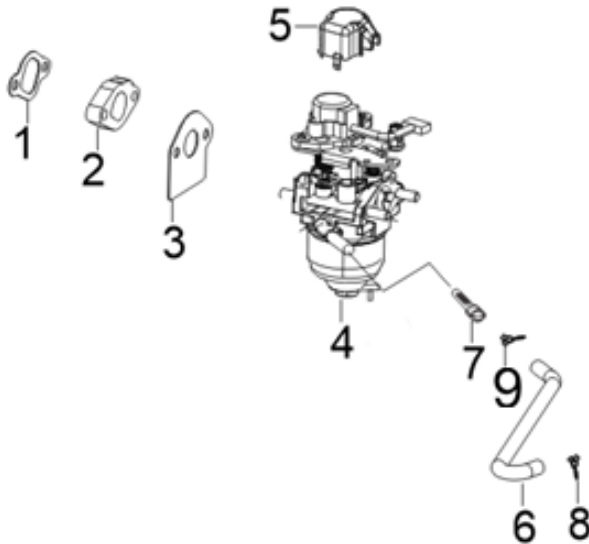
POS.	CODE	DESCRIPTION	QTY
1	A08455	CAMSHAFT ASSEMBLY	1
2	A08448	VALVE TAPPET	2
3	A08389	VALVES SET	2
4	A08456	VALVE ROCKER	2
5	A08390	SEAL GUIDE	1
6	A08391	VALVE SPRING	2
7	A08301	VALVE SPRING SEAT	2
8	A08302	VALVE LOCK CLAMP	4
9	A08449	VALVE LIFTER	2
10	A08467	ROCKER SHAFT	2

E07



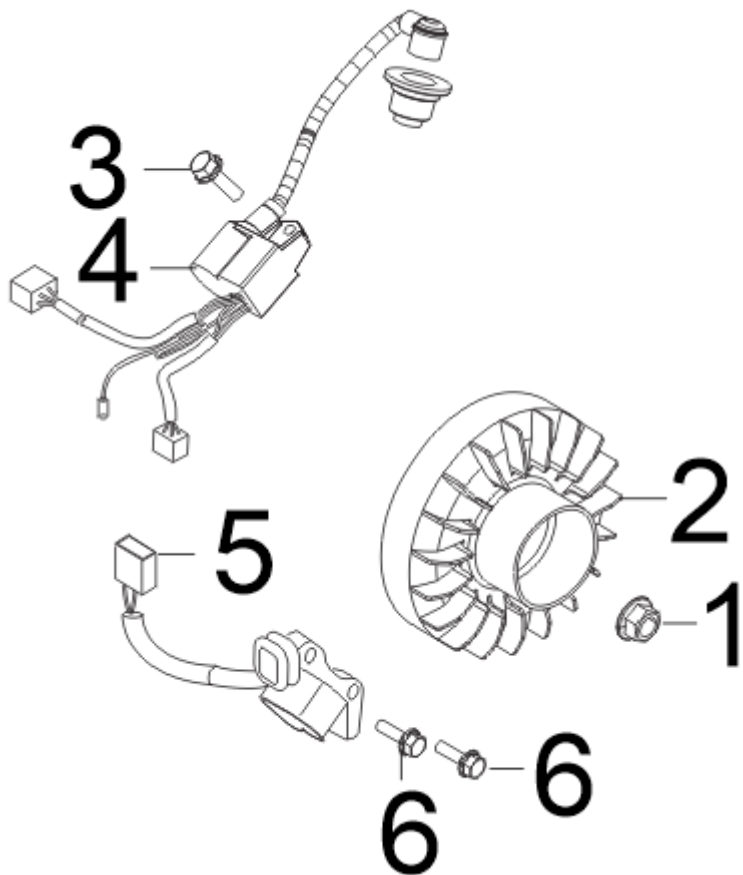
POS.	CODE	DESCRIPTION	QTY
1	A08869	RECOIL STARTER	1
2	A08646	BOLT	3
3	A08886	BOLT	4
4	A08870	SHROUD	1
8	A08392	CYLINDER HEAD WIND DEFLECTOR	1
9	A08776	CLIP NUT	1
10	A08777	CLIP NUT	1

E09



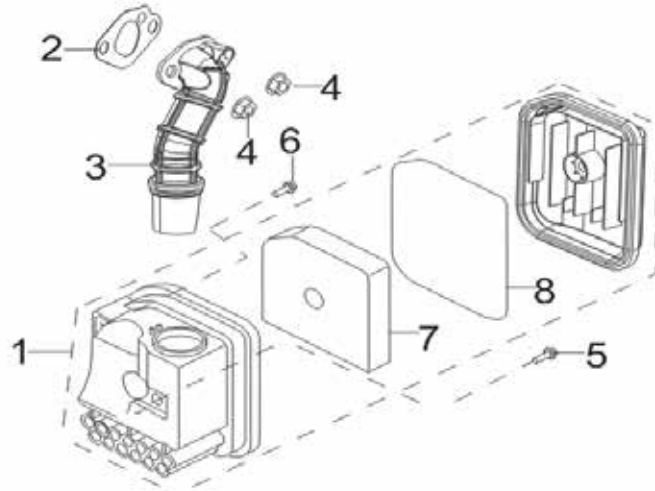
POS.	CODE	DESCRIPTION	QTY
1	A08474	CARBURETOR SEAL GASKET	1
2	A08871	CARBURETOR INSULATOR PLATE	1
3	A08476	CARBURETOR INSULATOR GASKET	1
4	A08872	CARBURETOR ASSEMBLY	1
5	A08466	CAP	1
6	A08873	FUEL TUBE	1
7	A08780	FUEL STRAINER	1
8	A08874	PIPE CLAMP	1
9	A08875	PIPE CLAMP	1

E10



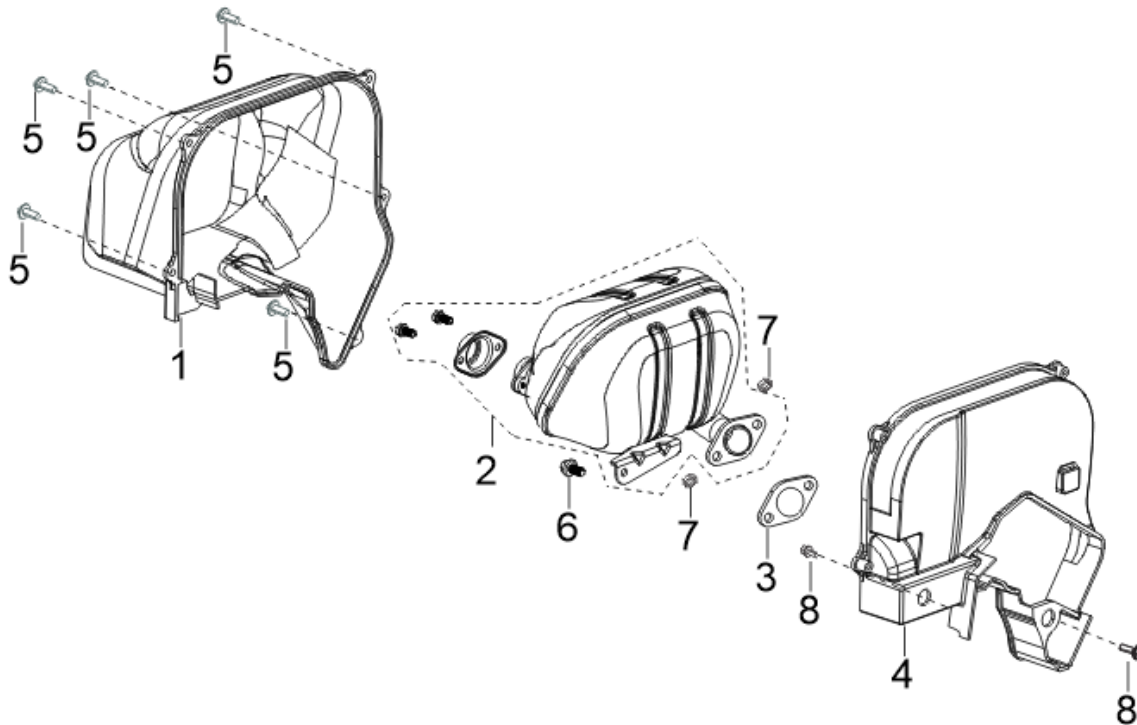
POS.	CODE	DESCRIPTION	QTY
1	A08437	FLYWHEEL NUT	1
2	A08439	FLYWHEEL	1
3	A08767	BOLT	1
4	A08876	IGNITOR	1
5	A08877	IGNITION COIL	1
6	A08767	BOLT	2

F01



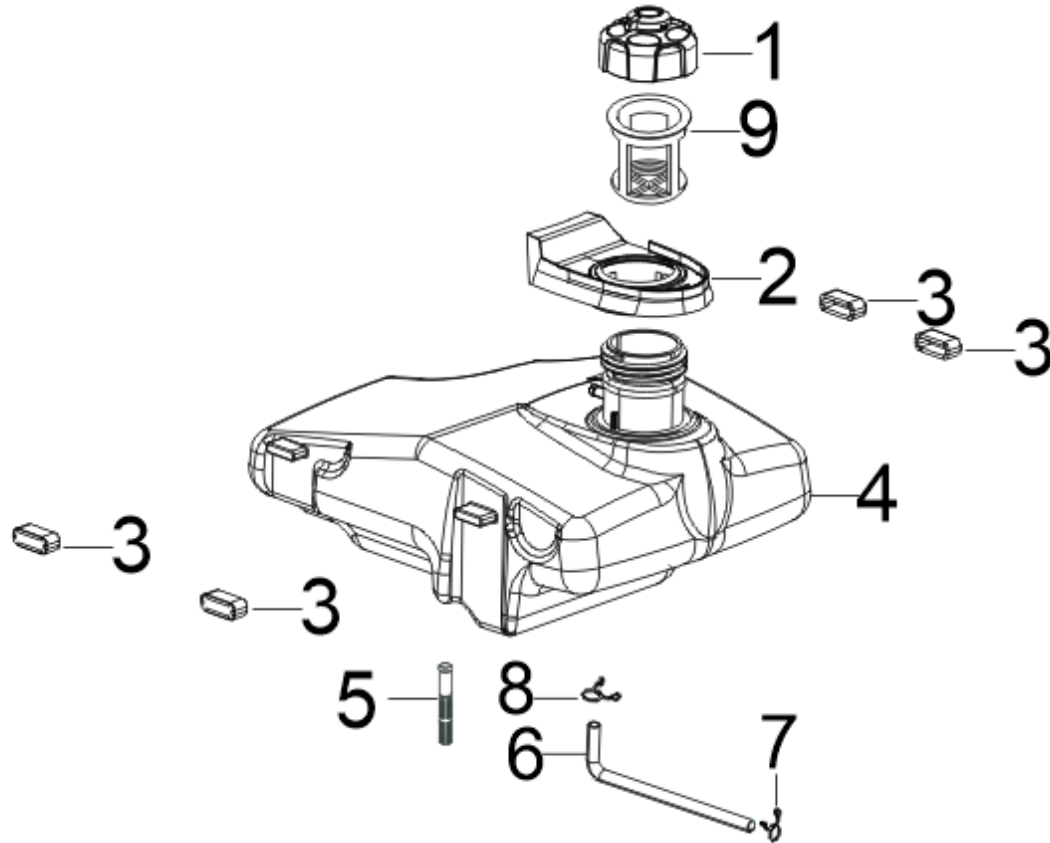
POS.	CODE	DESCRIPTION	QTY
1	A08878	AIR CLEANER	1
2	A08787	AIR CLEANER SEAL GASKET	1
3	A08788	AIR CLEANER INTAKE DUCT	1
4	A08506	HEXAGON NUT WITH FLANGE	2
5	A08789	BOLT	1
6	A08502	BOLT	1
7	A08790	FILTER ELEMENT	1
8	A08791	LOCK RING	1

F02



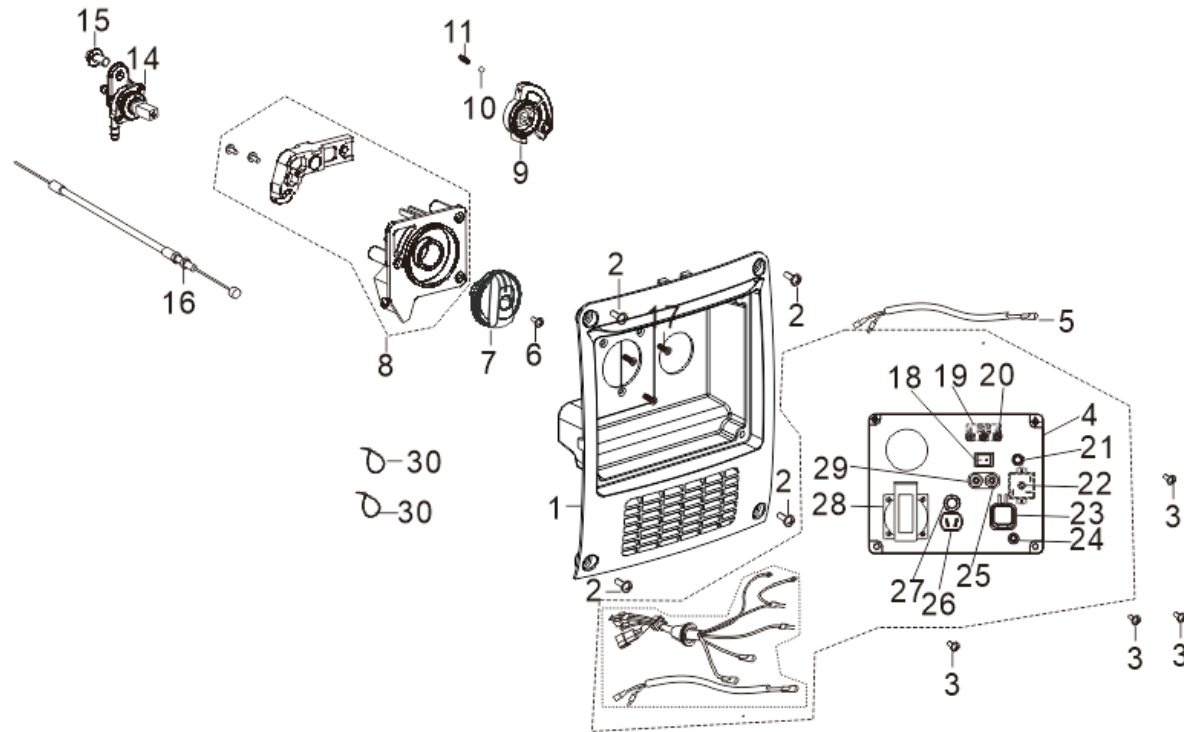
POS.	CODE	DESCRIPTION	QTY
1	A08880	MUFFLER SHROUD	1
2	A08881	MUFFLER ASSEMBLY	1
3	A08882	EXHAUST OUTLET GASKET	1
4	A08883	MUFFLER COVER	1
5	A08884	CROSS-RECESSED PAN HEAD SELF-TAPPING SCREW	5
6	A08646	BOLT	1
7	A08885	HEXAGON NUT	2
8	A08886	BOLT	2

F03



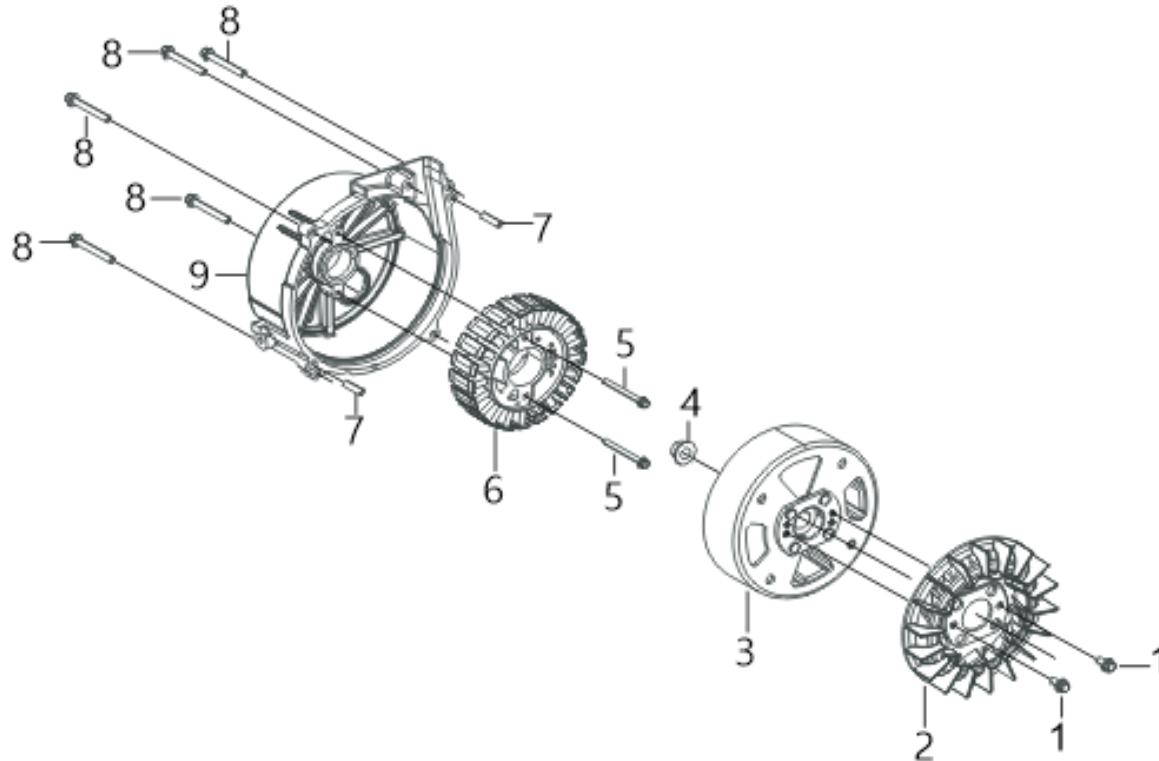
POS.	CODE	DESCRIPTION	QTY
1	A08799	FUEL TANK COVER	1
2	A08844	FILLING OIL HOLE RUBBER SLEEVE	1
3	A08800	BUSH	4
4	A08887	FUEL TANK	1
5	A08801	STRAINER ELEMENT	1
6	A08888	FUEL TUBE	1
7	A08874	PIPE CLAMP	1
8	A08889	PIPE CLAMP	1
9	A08798	FUEL STRAINER	1

F05



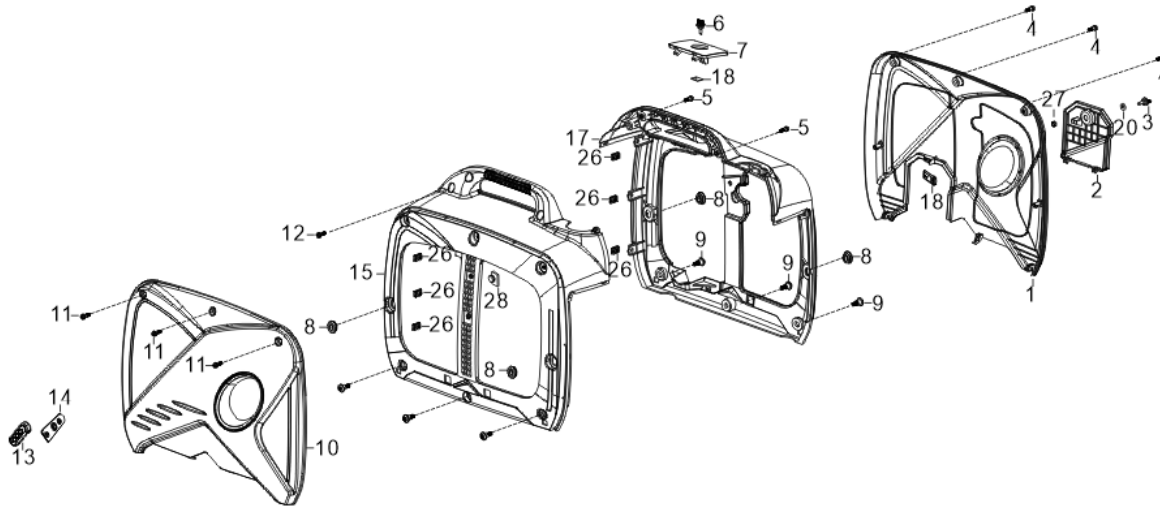
POS.	CODE	DESCRIPTION	QTY
1	A08890	PANEL SEAT	1
2	A08891	HEXAGONAL STEP BOLT	4
3	A08849	CROSS-RECESSED SMALL PAN HEAD SCREW	4
4	A08892	CONTROL PANEL	1
5	A08893	CONTROL PANEL WIRING HARNESS	1
6	A08808	CROSS-RECESSED PAN HEAD SCREW	1
7	A08809	KNOB	1
8	A08894	SWITCH	1
9	A08811	COVER PLATE	1
10	A08812	STEEL BALL	1
11	A08813	STOPPER ADJUSTING SPRING	1
14	A08815	FUEL COCK	1
15	A08895	BOLT	1
16	A08814	CHOKE WIRE	1
18	A08823	SWITCH	1
19	A08821	STATUS DISPLAY BOARD	1
20	A08822	INDICATOR MOUNTING BASE	3
21	A08824	RESETTING BUTTON	1
22	A08528	RECTIFICATION BRIDGE	1
23	A08896	D.C SOCKET	1
24	A08827	GROUNDING TERMINAL	1
25	A08826	POWER SUPPLY SOCKET	1
26	A08829	D.C SOCKET	1
27	A08897	OVERCURRENT PROTECTOR	1
28	A08529	POWER SUPPLY SOCKET	1
29	A08825	POWER SUPPLY SOCKET	1
30	A08898	BAND	2

F06



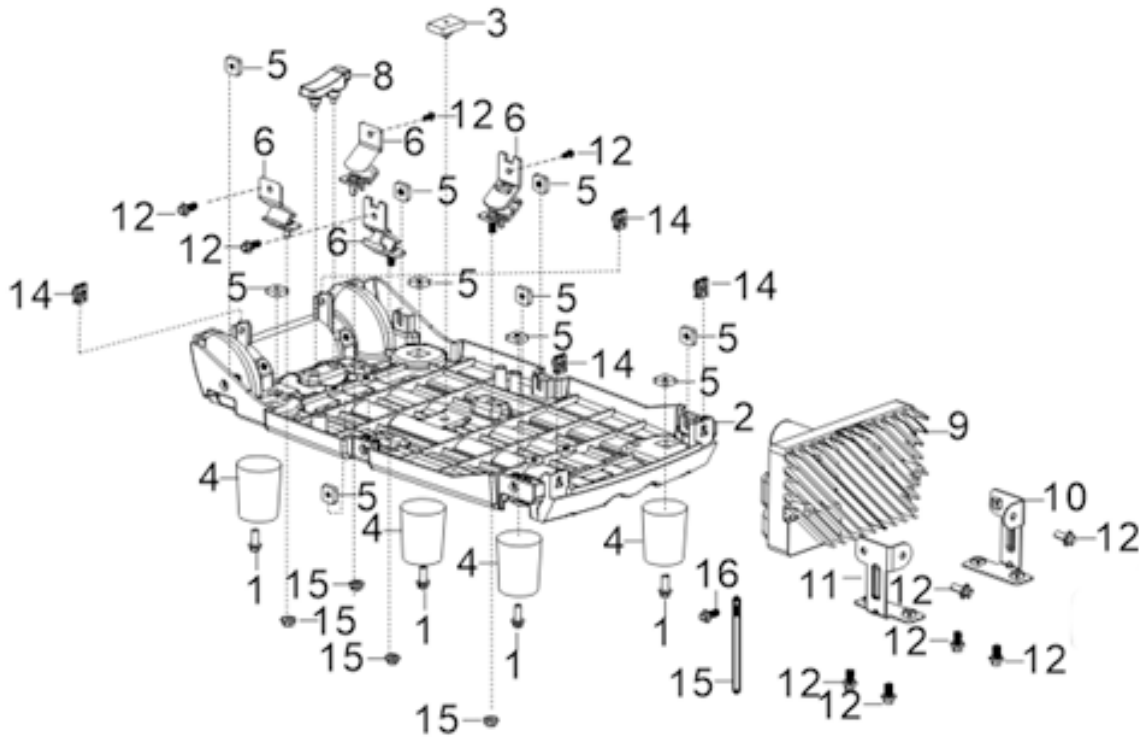
POS.	CODE	DESCRIPTION	QTY
1	A08494	BOLT	2
2	A08834	IMPELLER	1
3	A08899	ROTOR	1
4	A08836	HEXAGON NUT WITH FLANGE	1
5	A08900	HEXAGON SOCKET FLANGE FACE BOLT	2
6	A08901	STATOR	1
7	A08902	POSITION PIN	2
8	A08830	BOLT	5
9	A08903	MOTOR SHROUD	1

F31



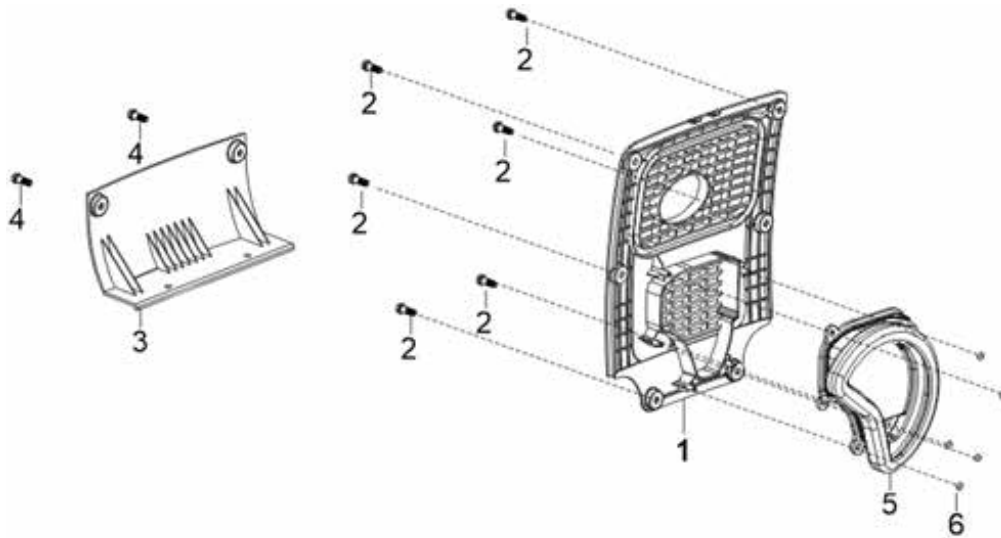
POS.	CODE	DESCRIPTION	QTY
1	A08904	RIGHT APPEARANCE COVER PLATE	1
2	A08905	RIGHT ACCESS DOOR	1
3	A08906	HEXAGONAL STEP BOLT	1
4	A08907	HEXAGONAL STEP BOLT	3
5	A08849	CROSS-RECESSED SMALL PAN HEAD SCREW	2
6	A08908	SPARK PLUG ACCESS DOOR KNOB	1
7	A08909	SPARK PLUG ACCESS DOOR	1
8	A08842	FUEL TANK RUBBER SLEEVE	4
9	A08910	HEXAGONAL STEP BOLT	6
10	A08911	LEFT HOUSING COVER PLATE	1
11	A08907	HEXAGONAL STEP BOLT	3
12	A08805	SELF-TAPPING SCREW	1
13	A08850	RECOIL STRATER CABLE HANDLE	1
14	A08848	STARTING ROPE GUIDE	1
15	A08912	LEFT HOUSING	1
17	A08913	RIGHT HOUSING	1
18	A08914	STOPPER	2
20	A08863	SPRING CLAMP	1
26	A08915	CLIP NUT	6
27	A08916	NYLON NUT	1
28	A08917	ENGINE UPPER SUSPENSION RUBBER CUSHION	1

F32



POS.	CODE	DESCRIPTION	QTY
1	A08852	BOLT	4
2	A08918	BOTTOM PLATE	1
3	A08917	ENGINE UPPER SUSPENSION RUBBER CUSHION	1
4	A08919	ENGINE FRAME SHOCK ABSORPTION SEAT	4
5	A08969	NUT	10
6	A08920	ENGINE FRAME CUSHION	4
8	A08857	BUFFERING PAD SUPPORT	1
9	A08921	INVERTOR	1
10	A08922	INVERTOR MOUNTING RACK	1
11	A08923	INVERTOR MOUNTING RACK	1
12	A08968	BOLT	10
14	A08915	CLIP NUT	4
15	A08924	WIRE CLIP	1
16	A08494	HEXAGON SOCKET FLANGE FACE BOLT	1

F33



POS.	CODE	DESCRIPTION	QTY
1	A08925	MUFFLER SIDE COVER	1
2	A08891	HEXAGONAL STEP BOLT	6
3	A08926	DECORATED COVER	1
4	A08891	HEXAGONAL STEP BOLT	2
5	A08862	JOINT RUBBER CUSHION	1
6	A08863	SPRING CLAMP	5