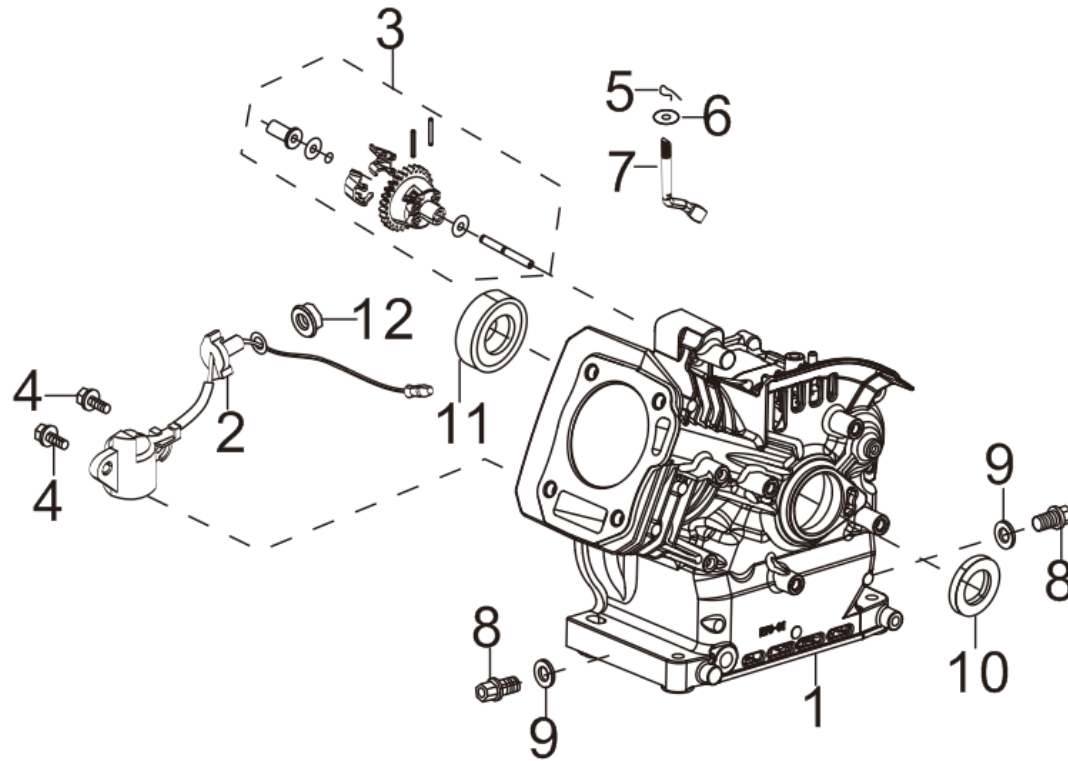
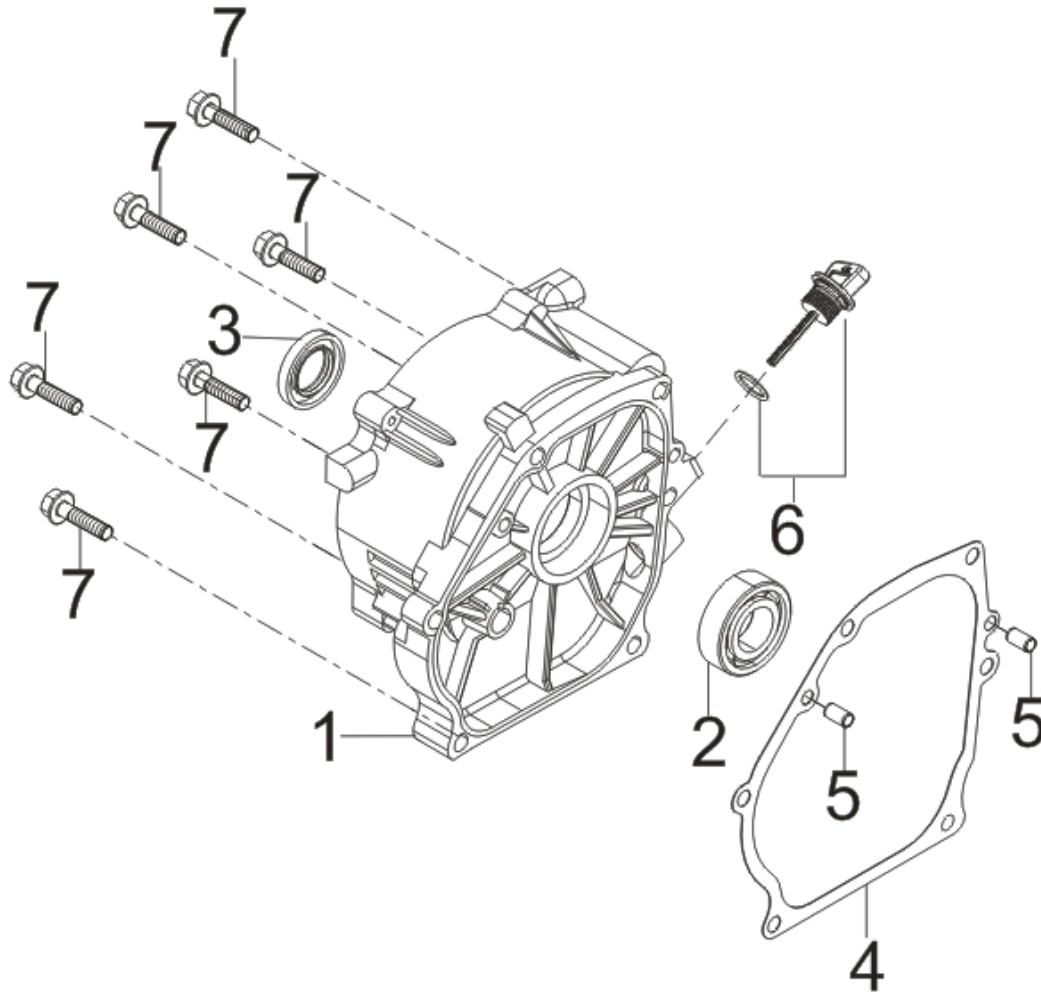


E01



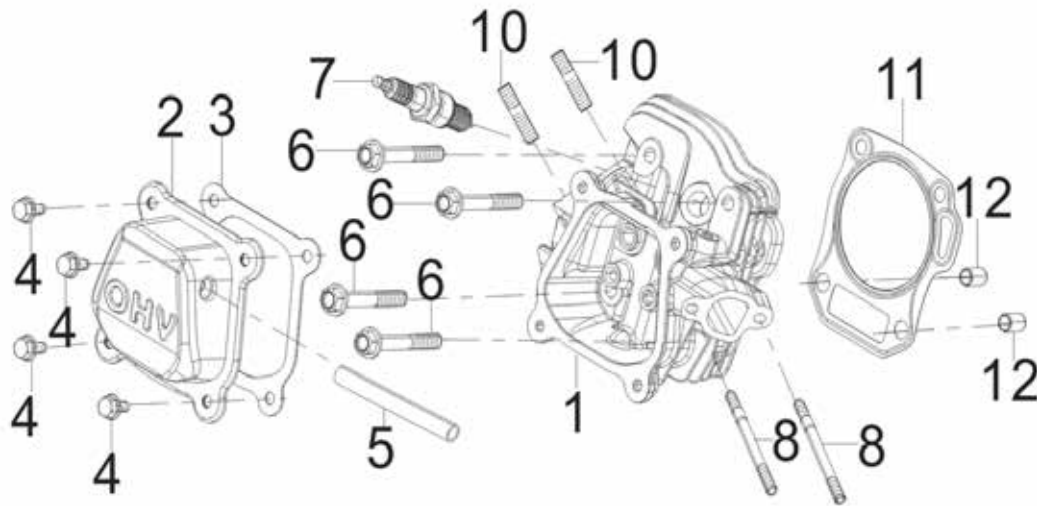
POS.	CODE	DESCRIPTION	QTY
1	A08286	CRANKCASE ASSEMBLY	1
2	A08608	ENGINE OIL SENSOR	1
3	A08609	GEAR ASSEMBLY	1
4	A08852	HEXAGON SOCKET FLANGE FACE BOLT	2
5	A08951	COTTER PIN	1
6	A08610	FLAT WASHER	1
7	A08481	REGULATOR	1
8	A08287	DRAIN PLUG	2
9	A08482	FLAT WASHER	2
10	A08483	OIL SEAL	1
11	A08484	BALL BEARING	1
12	A08485	HEXAGON NUT WITH FLANGE	1

**E02**



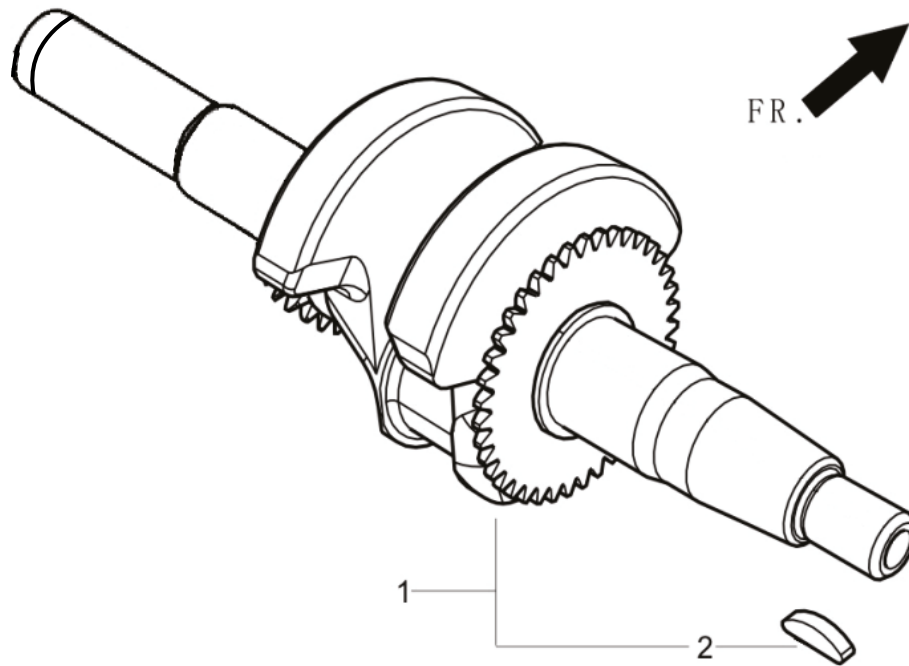
POS.	CODE	DESCRIPTION	QTY
1	A08288	CRANKCASE COVER	1
2	A08484	BALL BEARING	1
3	A08483	OIL SEAL	1
4	A08289	CRANKCASE GASKET	1
5	A08486	POSITION PIN	2
6	A08468	OIL DIPSTICK ASSEMBLY	1
7	A08939	HEXAGON SOCKET FLANGE FACE BOLT	6

**E03**



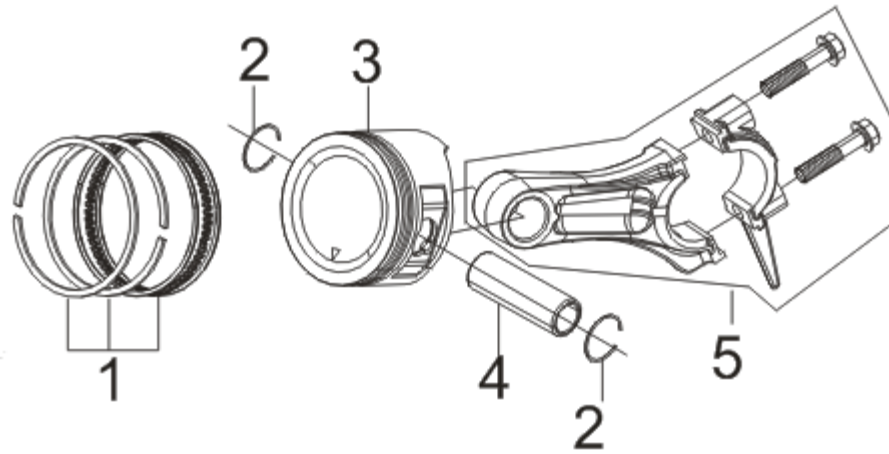
POS.	CODE	DESCRIPTION	QTY
1	A08290	CYLINDER HEAD ASSEMBLY	1
2	A08291	CYLINDER HEAD COVER ASSEMBLY	1
3	A08292	CYLINDER HEAD COVER GASKET	1
4	A08968	HEXAGON SOCKET FLANGE FACE BOLT	4
5	A08487	BREATHER TUBE	1
6	A08293	CYLINDER HEAD BOLT	4
7	A08940	SPARK PLUG	1
8	A08488	STUD BOLT	2
10	A08489	STUD BOLT	2
11	A08294	CYLINDER HEAD GASKET	1
12	A08943	POSITION PIN	2

E04



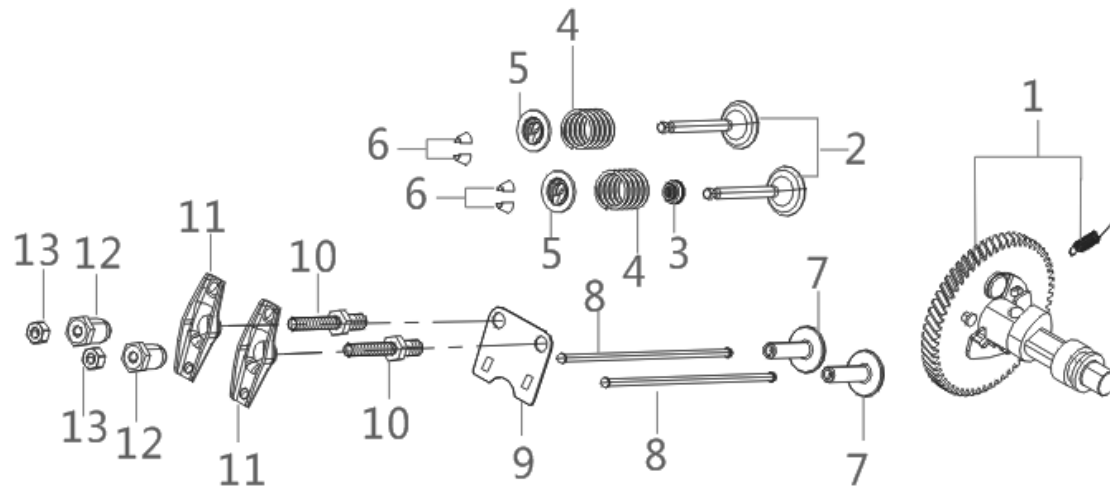
POS.	CODE	DESCRIPTION	QTY
1	A08419	CRANKSHAFT ASSEMBLY	1
2	A09916	KEY	1

**E05**



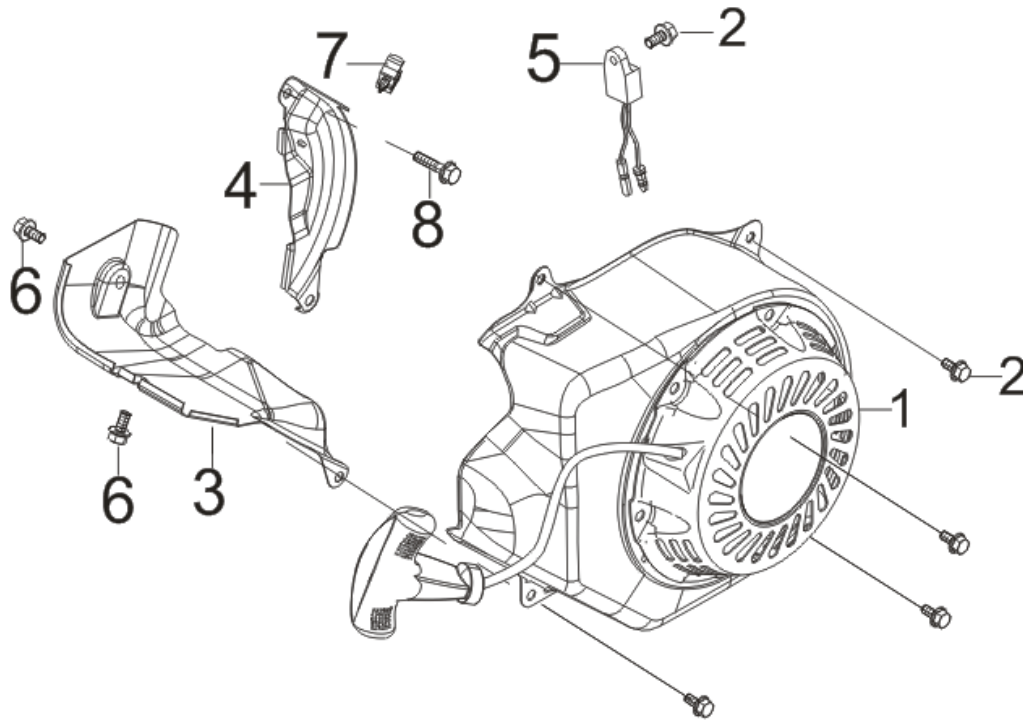
POS.	CODE	DESCRIPTION	QTY
1	A08408	PISTON RING ASSEMBLY	1
2	A08409	PISTON PIN CLIP	2
3	A08295	PISTON	1
4	A08296	PISTON PIN	1
5	A08297	CONNECTING ROD	1

E06



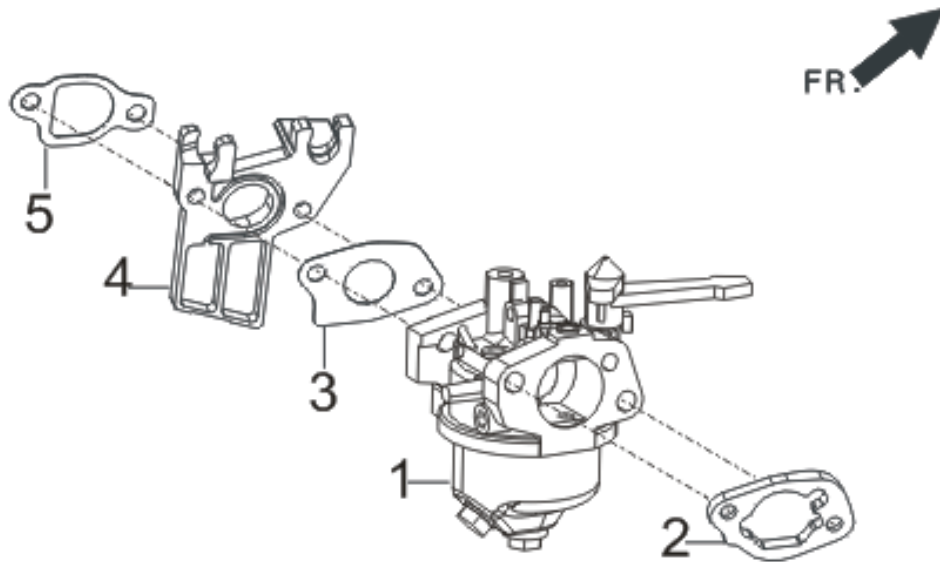
POS.	CODE	DESCRIPTION	QTY
1	A08451	CAMSHAFT	1
2	A08298	VALVES SET	1
3	A08299	SEAL GUIDE	2
4	A08300	VALVE SPRING	2
5	A08301	VALVE SPRING SEAT	2
6	A08302	VALVE LOCK CLAMP	4
7	A08440	VALVE TAPPET	2
8	A08441	VALVE LIFTER,	2
9	A08442	LIFTER STOPPER PLATE	1
10	A08459	SHAFT BOLT	2
11	A08460	ROCKER ARM	2
12	A08461	VALVE ADJUSTING NUT	2
13	A08462	VALVE LOCK NUT	2

E07



POS.	CODE	DESCRIPTION	QTY
1	A08490	MANUAL STARTING ASSEMBLY	1
2	A08968	HEXAGON SOCKET FLANGE FACE BOLT	5
3	A08491	CYLINDER BODY SHROUD	1
4	A08492	LOWER SHIELD	1
5	A08493	OIL PROTECTOR	1
6	A08494	BOLT	2
7	A08495	COLLAR	1
8	A08496	BOLT	1

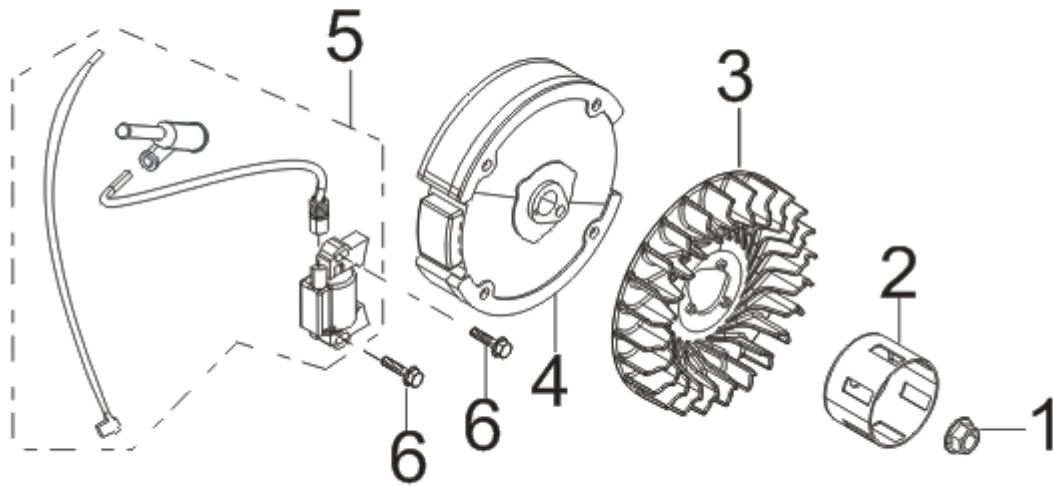
E09



POS.	CODE	DESCRIPTION	QTY
1	A08497	CARBURETOR ASS.	1
2	A08498	AIR CLEANER SEAL GASKET	1
3	A08469	CARBURETOR SEAL GASKET	1
4	A08478	CARBURETOR INSULATOR PLATE	1
5	A08470	CARBURETOR INSULATOR GASKET	1

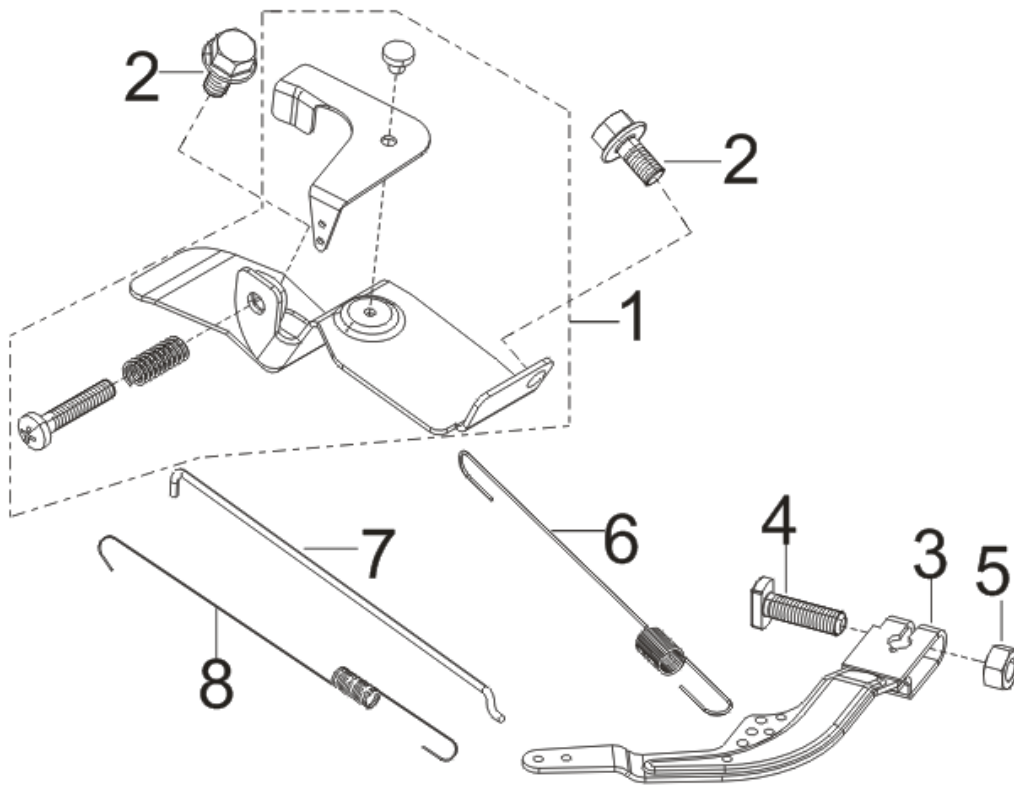


E10



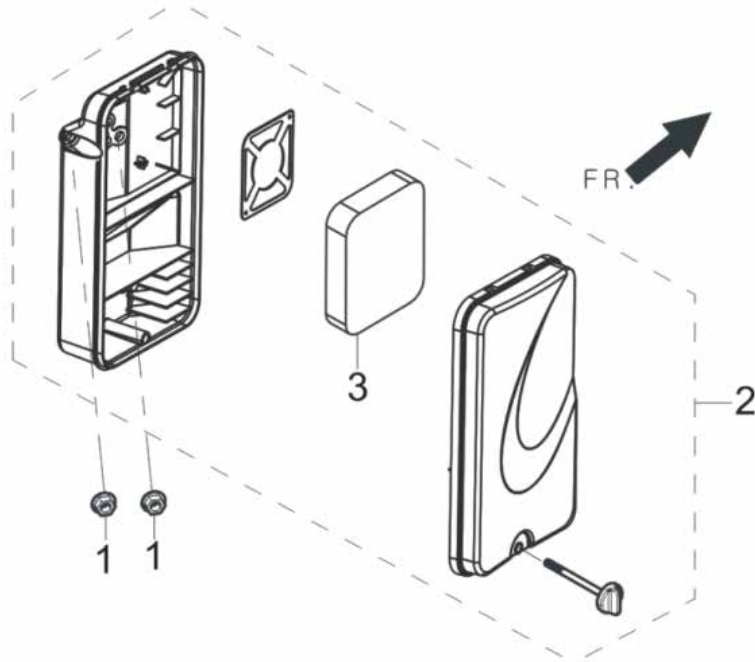
POS.	CODE	DESCRIPTION	QTY
1	A08420	FLYWHEEL NUT	1
2	A08499	STARTER PULLEY	1
3	A08500	IMPELLER	1
4	A08429	FLYWHEEL	1
5	A08501	IGNITION COIL	1
6	A08502	BOLT	2

E11



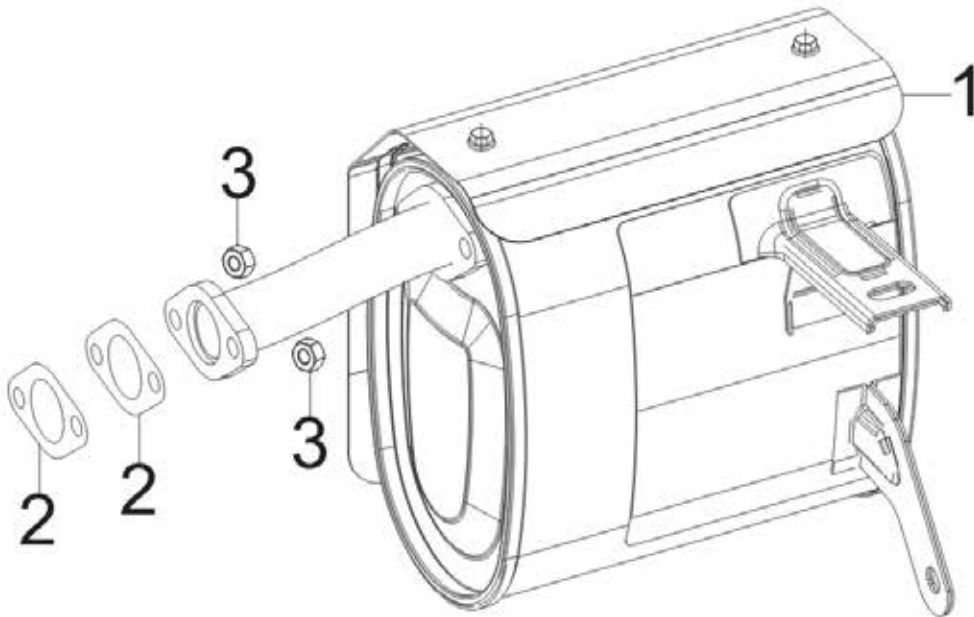
POS.	CODE	DESCRIPTION	QTY
1	A08503	THROTTLE CONTROL ASS.	1
2	A08494	BOLT	2
3	A08504	GOVERNOR BRACKET	1
4	A08505	GOVERNOR SUPPORT BOLT	1
5	A08506	HEXAGON NUT WITH FLANGE	1
6	A08507	GOVERNOR SPRING	1
7	A08508	GOVERNEOR ROD	1
8	A08509	THROTTLE VALVE RETURNING SPRING	1

F01



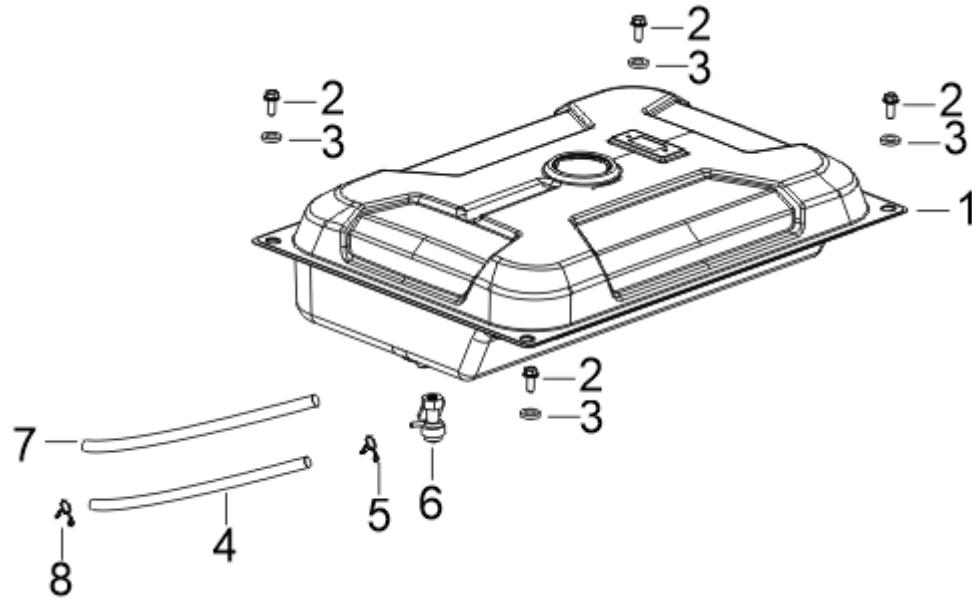
POS.	CODE	DESCRIPTION	QTY
1	A08506	HEXAGON NUT WITH FLANGE	2
2	A08510	AIR FILTER	1
3	A08620	AIR FILTER ELEMENT	1

F02



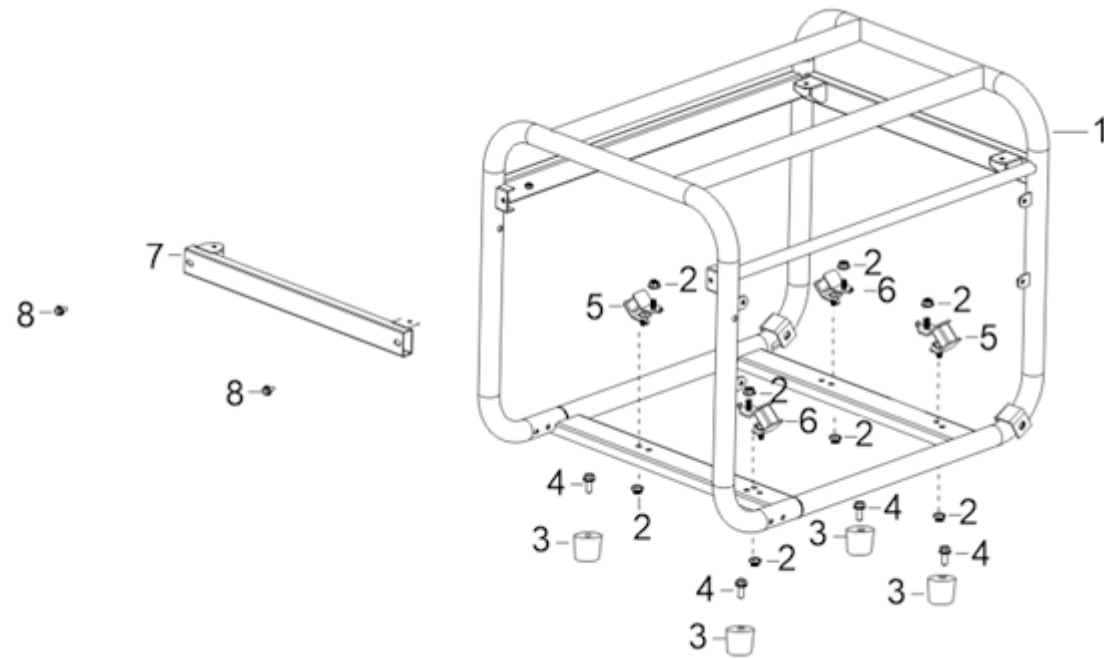
POS.	CODE	DESCRIPTION	QTY
1	A08511	MUFFLER	1
2	A08512	EXHAUST OUTLET GASKET	2
3	A08747	HEXAGON NUT	2

F03



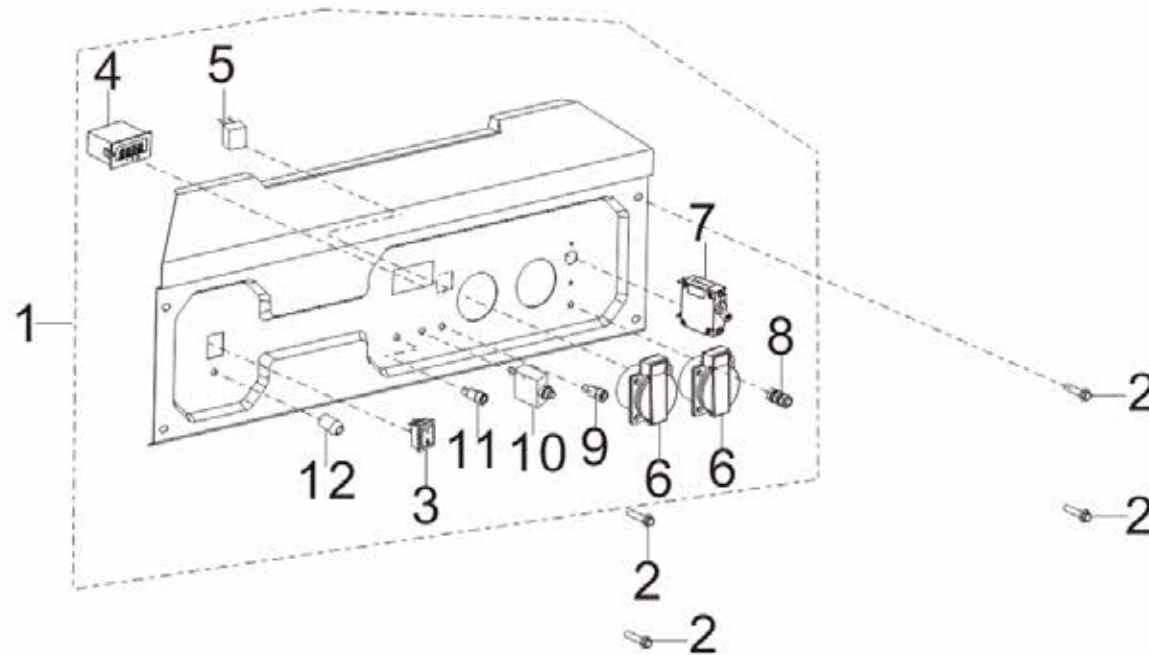
POS.	CODE	DESCRIPTION	QTY
1	A08514	FUEL TANK	1
2	A08502	BOLT	4
3	A08515	FLAT WASHER	4
4	A08516	FUEL TUBE	1
5	A08816	COLLAR	1
6	A08517	FUEL COCK	1
7	A08518	RUBBER JACKET	1
8	A08816	COLLAR	1

**F04**



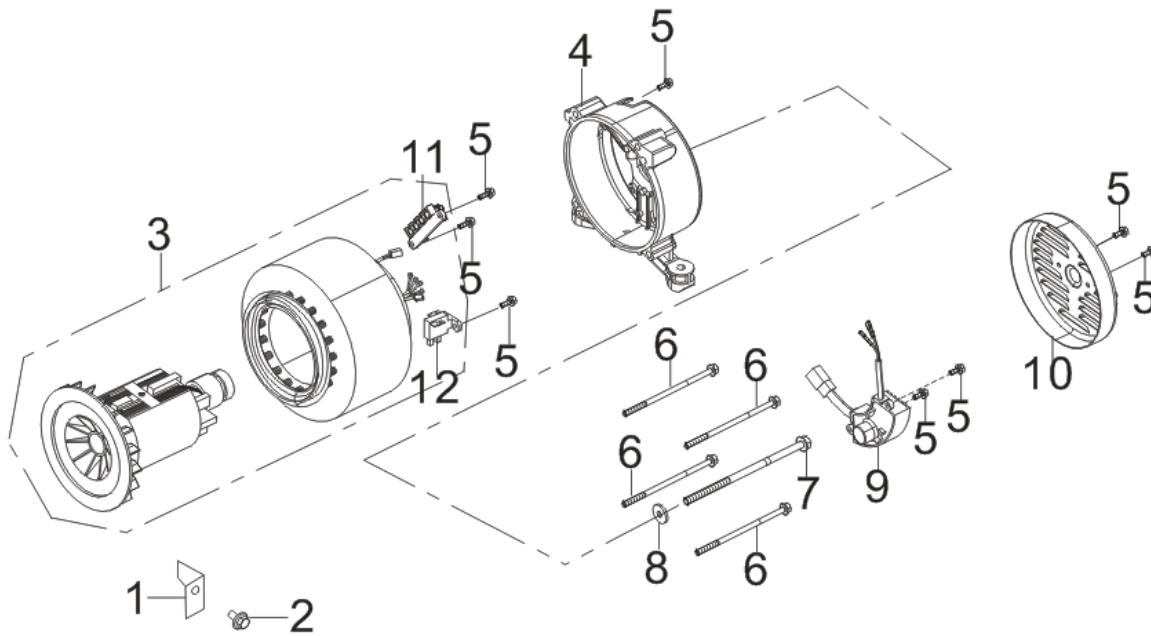
POS.	CODE	DESCRIPTION	QTY
1	A08519	ENGINE FRAME	1
2	A08520	HEXAGON NUT WITH FLANGE	8
3	A08521	ENGINE FRAME SHOCK ABSORPTION SEAT	4
4	A08968	BOLT	4
5	A08522	ENGINE FRAME RIGHT CUSHION	2
6	A08523	ENGINE FRAME LEFT CUSHION	2
7	A08524	CROSSPIECE	1
8	A08968	BOLT	2

**F05**



POS.	CODE	DESCRIPTION	QTY
1	A08525	CONTROL PANEL	1
2	A08968	BOLT	4
3	A08526	SWITCH	1
4	A08527	TIMER	1
5	A08528	RECTIFICATION BRIDGE	1
6	A08529	POWER SUPPLY SOCKET	2
7	A08530	SINGLE-POLE CIRCUIT BREAKER	1
8	A08531	GROUNDING TERMINAL	1
9	A08755	NEGATIVE ELECTRODE TERMINAL	1
10	A08828	OVERCURRENT PROTECTOR	1
11	A08756	POSITIVE ELECTRODE TERMINAL	1
12	A08532	OIL ALARM INDICATOR	1

**F06**



POS.	CODE	DESCRIPTION	QTY
1	A08533	MOTOR RIGHT COVER STOPPER	1
2	A08968	BOLT	1
3	A08534	ALTERNATOR ASSEMBLY	1
4	A08535	ALTERNATOR SUPPORT	1
5	A08536	BOLT	8
6	A08537	STATOR BOLT	4
7	A08538	ROTOR BOLT	1
8	A08539	FLAT WASHER	1
9	A08540	VOLTAGE REGULATOR (AVR)	1
10	A08541	MOTOR TAIL COVER	1
11	A08652	TERMINAL BLOCK	1
12	A08543	CARBON BRUSH	1